

ARX
DOOR LOCK



Bring premium quality
into your home for a lifetime.

Made in Europe

ARX
by KOVINOPLASTIKA LOŽ

LIFETIME
WARRANTY

Made in Europe

ARX
by KOVINOPLASTIKA LOŽ

ARX COAT
SURFACE
PROTECTION

ARX DOOR LOCK

Security and convenience
Door lock hardware for entrance doors

2022

ARX
The Hardware.

Made in Europe
ARX
by KOVINOPLASTIKA LOŽ
LIFETIME
WARRANTY

Made in Europe
ARX
by KOVINOPLASTIKA LOŽ
ARX COAT
SURFACE
PROTECTION

Bring premium quality
into your home for a lifetime.

ARX PORTFOLIO

ARX SPIN



Turn and tilt hardware
solutions for windows
and balcony doors.

ARX
SPIN

ARX DOOR LOCK



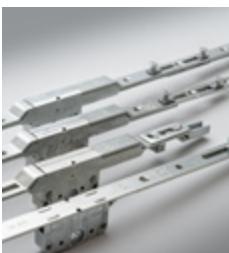
Multipoint door lock
solutions for main and
back entrance doors.

ARX
DOOR LOCK



IFT Rosenheim
-Certificate of conformity
for ARX SPIN and ARX
DOOR LOCK.

ARX CASEMENT



Solutions for
casement windows
-outward opening.

ARX
CASEMENT

ARX SLIDE



Sliding hardware
solutions for doors
and windows.

ARX
SLIDE

ARX ACCESSORIES



High quality, durable
and simple accessories
for windows and doors.

ARX
ACCESSORIES

Follow us:



www.arx-hardware.com

IRX
Smart Home.



Solutions for
Smart Home

www.irx-smarthome.com

ARX
The Hardware.
03/2022

📍 Kovinoplastika Lož d.o.o.,
Lož, Cesta 19. oktobra 57,
SI-1386 Stari trg pri Ložu
☎ + 386 (0)170 95 100
✉ info@arx-hardware.com
🌐 www.arx-hardware.com

All the information in the following brochure has been carefully selected and verified. In the time of ever-growing technical progress and improvements, necessary changes constantly take place. We therefore thank you for your understanding, as we can not be held responsible for the correctness and completeness of the brochure content due to the reasons mentioned above. We reserve all the rights, especially the right to reproduce and transmit all parts of this publication.



ARX – bring premium quality in your home for a lifetime

ARX is one of the leading providers of window and door hardware in Europe. Brand ARX is built on more than 67 years of foundation and experience of KOVINOPLASTIKA LOŽ. From that knowledge we are drawing the inspiration to create new and innovative solutions. Integrity in everything we do, quality of our work, and tailor-made building hardware solutions for our customers are the secret of our success and harmonious partnership with our customers.

www.arx-hardware.com

IT IS NOT WHERE YOU GO, BUT
who you go with.

Made in Europe
ARX
SURFACE PROTECTION

Made in Europe
ARX
LIFETIME WARRANTY

Bring premium quality into your home for a lifetime.

Window and door hardware tailored to your demands

Concerning customers our goal is to provide functional, reliable & innovative experience of uncompromising quality that meets the highest standards of window and door hardware. We are focused on developing and applying best solutions in the field, while guaranteeing a flexible and efficient production process. Such approaches, in combination with the established knowledge, enable our experts to design and execute the most appropriate solutions tailored to your demands.

Our values, vision and mission

We are a team of engaged co-workers with the highest values like honesty, excellence, openness, endeavor and responsibility. We always strive to optimally use the knowledge and technologies, by which we develop and create the products and assemblies with higher added value, to ensure end users with a high level of security, wellbeing and best user experience. Our efforts have been rewarded by becoming established well-known development supplier. Being the best flexible and digitized niche solution developer and material modifier is our first and foremost mission.

CONTENTS

ABOUT	1
WHY ARX	6
BETTER THAN THE REST	7
STANDARDS AND CERTIFICATES	9
PRODUCT WARRANTY AND LIABILITY	10
HIGH-QUALITY, DURABLE, SIMPLE	12
SYMBOLS AND ABBREVIATIONS	15
DOOR LOCK COMPONENTS	16
MAINTENANCE RECOMMENDATIONS	17
Hardware lubrication	17
DOOR LOCK OPERATION	18
HL - handle lock	18
DOOR LOCK OPERATION	19
CLA - cylinder lock automatic	19
DOOR LOCK OPERATION	20
CLC - cylinder lock comfort	20
DOOR LOCK OPERATION	21
DRF - daytime release function	21
PRODUCT PORTFOLIO	23
HL - rolling cams PVC	24
4 rolling cams 1810 mm	24
4 rolling cams 1837 mm Extendable	26
3 + 1 rolling cams 1910 mm Extendable	28
4 rolling cams 2200 mm Extendable	30
4 rolling cams 2500 mm Extendable	32
HL - rolling cams PVC FRENCH DOOR	34
4 rolling cams 2200 mm Extendable	34
HL - rolling security cams PVC	36
4 rolling security cams 2200 mm Extendable	36
4 rolling security cams 2500 mm Extendable	38
HL - rolling security cams PVC FRENCH DOOR	40
4 rolling security cams 2200 mm Extendable	40
HL - rolling cams and hooks PVC	42
4 rolling cams and 2 hooks 2200 mm	42
HL - rolling cams and hooks PVC FRENCH DOOR	44
4 rolling cams and 2 hooks 2075 mm Extendable	44
HL TPL - rolling security cams PVC	46
400 mm Extendable	46
HL/P PVC FRENCH DOOR	48
1230 mm Two part lock Extendable	48
1875 mm Single part lock Extendable	50
HL - eccentric cams and hooks ALU Groove	52
4 eccentric cams and 2 hooks 2200 mm Extendable	52
CLA - rolling cams and hooks PVC	54
4 rolling cams and 2 hooks 2200 mm Extendable	54
CLC - automatic hooks PVC	56
2 automatic hooks 2000 mm	56
2 automatic hooks 2200 mm	58
2 automatic hooks 2200 mm with DRF	60

CONTENTS

2 automatic hooks 2500 mm	62
CLC - latch bolts PVC	64
2 latch bolts 2000 mm	64
2 latch bolts 2200 mm	66
2 latch bolts 2200 mm with DRF	68
2 latch bolts 2500 mm	70
2 latch bolts 2000 mm	72
CLC - latch bolts PVC FRENCH DOOR	74
2 latch bolts 2200 mm	74
2 latch bolts 2500 mm	76
1+1 latch bolts 2200 - 2700 mm Extendable	78
CLC - latch bolts ALU U24	80
2 latch bolts 1800 mm	80
2 latch bolts 1800 mm with DRF	82
3 latch bolts 2500 mm	84
3 latch bolts 2500 mm with DRF	86
CLC - automatic hooks ALU U24	88
2 automatic hooks 1800 mm	88
2 automatic hooks 1800 mm with DRF	90
3 automatic hooks 2500 mm	92
3 automatic hooks 2500 mm with DRF	94
CLC - latch bolts ALU Groove	96
2 latch bolts 2200 mm	96
CL - rolling cams PVC	98
4 rolling cams 2200 mm	98
CL - rolling cams and hooks PVC	100
4 rolling cams and 2 hooks 2200 mm	100
CLP PVC	102
315 mm	102
315 mm with DRF	104
240 mm	106
CLP ALU Groove	108
315 mm	108
STABLE DOOR - hooks	110
1094 mm Two part lock	110
EXHIBIT LOCKS AND STANDS	112
Height of locks: 1000 mm	112
ADDITIONAL PARTS	114

SMART SYSTEMS 115

iRX BIOMETRICS	116
SMART accessories	118
Portfolio	118
Technical details	120
Connection diagrams	122
EXHIBIT SMART STAND	124
Height of lock: 1000 mm	124
SMART PROFILE CYLINDER	126
SMART cylinder with fingerprint scanner	126

FRAME PARTS 127

FRAME PARTS PVC	128
U27 faceplate	128

CONTENTS

Strikers.....	129
U35 faceplate.....	130
U35 faceplate.....	131
FRAME PARTS TIMBER	132
9 axis	132
13 axis.....	133
FRAME PARTS ALU	134
FRAME PARTS ALU U24	135
FRAME PARTS THRESHOLD	136

DETAILED DIMENSIONS137

HANDLE LOCK	138
HL - handle lock BS 28, 35, 40.....	138
HL - handle lock BS 45, 50, 55, 65.....	139
HL/P - handle lock passive	140
HL/W - handle lock wechsel	141
HL 2 - handle lock (18 mm throw)	142
CYLINDER LOCK AUTOMATIC	143
CLA - cylinder lock automatic	143
CYLINDER LOCK COMFORT	144
CLC - cylinder lock comfort	144
CYLINDER LOCK PORTAL	145
CLP - cylinder lock portal	145

INSTALLATION INSTRUCTIONS.....147

PROFILE ROUTING	148
Main lock - gear box	148
Automatic hook casing	149
Hook casing	150
Latch bolt casing.....	151
HARDWARE ADJUSTMENT	152
Locking cams R and RS	152
CLA - Cylinder lock automatic one piece striker	153
CLA - Cylinder lock automatic one piece striker	154
CLA - Cylinder lock automatic one piece striker	155
CLC - Cylinder lock comfort one piece striker	156
CLC - Cylinder lock comfort one piece striker	157
Hook keep and latch bolt keep	158
Center latch keep	159
PACKERS AND COVER CAPS MOUNTING	160
Packers U35 and U35 one piece striker cover cap	160
Packers U27 and U24 extension packer.....	161

ACCESSORIES163

ABOUT	164
Handles	165
Wide shield handle ESO	165
Narrow shield handle ESO	166
Square handle with rosette ES1.....	167
Round handle with rosette ES1	168
PROFILE CYLINDERS	169
Profile cylinder S6 NI.....	169

CONTENTS

HINGES PVC	170
Door hinges	170
Door hinges technical details	171
Door hinge drilling jigs	172
Jig and door hinge installation instruction	173
Jig and door hinge installation instruction	174
NOTES	176



Quality-to-price ratio that ensures for the best market performance

Besides its distinctive quality, the ARX building hardware has an excellent quality-to-price ratio, providing you with a fast and effective strategy of winning market positions both in the Europe and globally. We provide the best quality, value, and service to meet our business partners' and users' needs, never leaving them in the lurch.

Accelerating the pace of innovation

Through the years we were never the silent observers of migration from old window and door hardware solutions to the nowadays highly technological ones, tailored for smart homes and buildings. Experiences, engineering knowledge and valuable partnerships helped us respond to and anticipate market needs, adapt our methods or materials, and innovate. Development of high-quality new products that have left a mark on the industry and decades of experience have shaped our unique path.



There is hardware,
and then there is **ARX**.

FOR FULL TERMS
AND CONDITIONS,
PLEASE VISIT:





Based on the huge versatility of our knowledge implemented into the design and applied research, we do not simply offer you products; we provide you with the following BENEFITS:



ARX lifetime warranty

For you to have complete confidence in our products, proven technologies, and expert skills, like we do, we provide you with a Lifetime Warranty on our building hardware functionality. The warranty applies exclusively to the use of the ARX building hardware, and to all manufacturers and suppliers of doors and windows who use ARX building hardware.



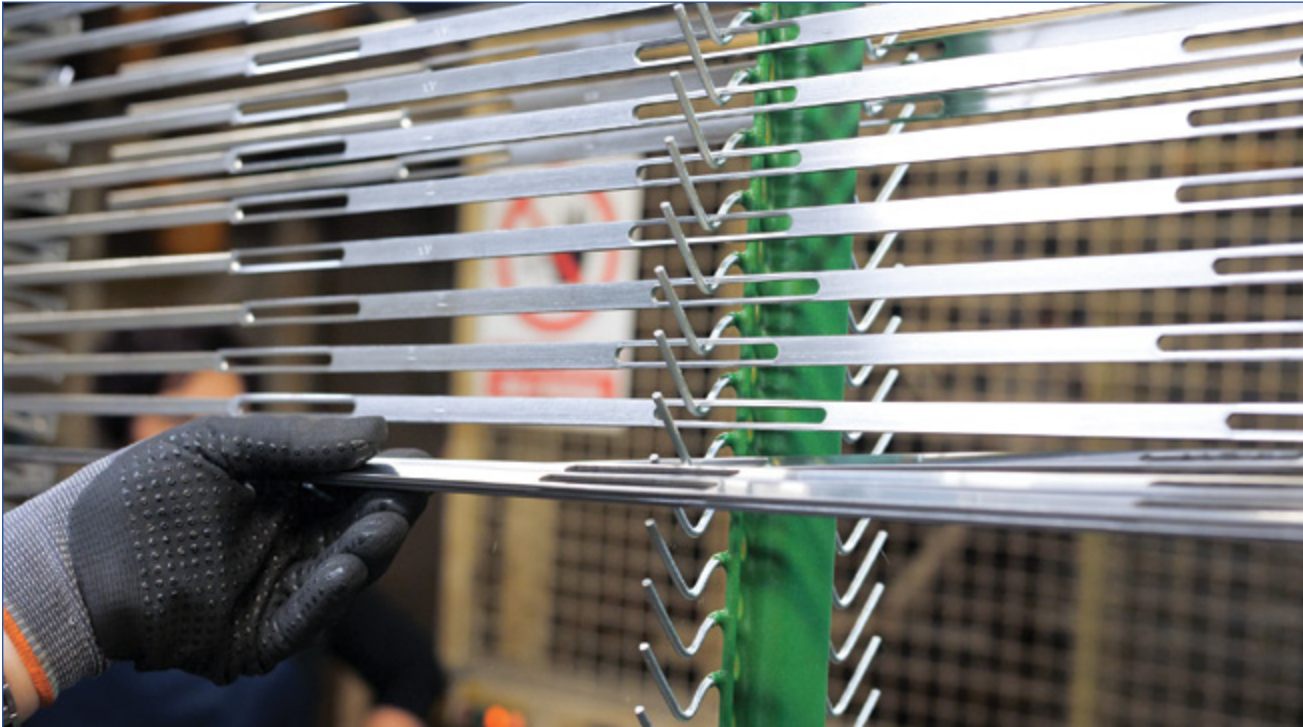
ARX surface protection and resistance coating ARX

Surface protection and resistance coating ARX Coat, provided by Kovinoplastika Lož is one of the best on the market.

Testing of corrosion resistant coating is carried out in our salt chamber according to standard ISO 9227 (NSS). It is done periodically, so we control the whole process. In case of deviations from perfect surface protection, immediate actions are applied to the manufacturing process to produce only the best products.

ARX building hardware suits the highest requirements of corrosion resistance as it reaches the 5th grade according to the standard EN 1670. That is an equivalent of 480 hours of salt spray.

ARX Coat is a proper surface protection, which provides good anti-corrosion durability and a trendy silver appearance, all due to our ARX internal processes.



Versatile hardware

Main features of ARX locks besides modular design are smooth operating and high endurance. Over 10 million installed door locks and over 35 years of experience are a guarantee for quality. Handle operated door lock system ensures most diverse security requirements and a wide range of solution for single and French doors. They also provide high level of flexibility, as the door height can be increased by using a variety of combinations. In addition to high security, they are adjustable to hard climate and ensure good compression along the whole height of the door leaf. Strong sealing reduces the loss of thermal energy and improves sound insulation. By using different closing elements such as R cam, RS cam, and hook we can provide different levels of security.

To ensure security, longevity, reliability, and effortless use during a whole life cycle ARX door locks are designed and tested to meet the standards:

- Security by Design Requirements (PAS 24)
- Certification scheme for locks and multi locking QM 342 in ift Rosenheim GmbH.

The main features of ARX HANDLES OPERATED DOOR LOCKS are:

- Patented solution in gearbox for effortless handling.
- High-quality material.
- High quality production and installation of individual hardware sets by using highly automated production.
- Hardware is easy to maintain, providing a simple and environmentally friendly degradation.
- ARX door lock offers a wide range of custom solutions for different applications: French door, stable door, storm door, doors with low threshold, etc.
- ARX HANDLE OPERATED door locks reduces the loss of thermal energy and improves sound insulation.
- Ensuring different levers of security with different closing elements such as R cam, RS cam and hook.
- Long-term operation. Provides the highest corrosion protection ARX Coat Grade 5 according to EN1670 (480 hours exposure to salt spray).
- Simple operation.



Manufacturer's standards and certificates

Our certificates present our dedication to the verifiable quality standards for processes and products. We are proud that we have repeatedly earned them. In every certificate, we see undisputed proof of long-term commitment to our partners, employees, and leadership.

MANAGEMENT SYSTEM CERTIFICATES:

- ISO 9001
- ISO 14001

CERTIFICATE OF CONFORMITY:

- IFT (QM 328)
- IFT (QM 342)

Kovinoplastika Lož acquired many important standards and certificates. Among them is EN1670 (grade 5) which has been held without interruption:

- ISO 13126-8,
- ISO 9227,
- EN 1670 (Grade 5),
- etc.



1. Introduction

According to the instructions of the Quality Association for Locks and Hardware (Gütegemeinschaft Schlösser und Beschläge), the VHBH Directive, issued on 11.12.2009 and the manufacturer's responsibility for its products, defined in the Consumer Protection Act (Consumer Protection Act of the Republic of Slovenia, paragraph 2, §4-11a), the following information about the door lock hardware for doors must be observed. Failure to comply with the following information exempts the manufacturer from liability.

2. Product information and stipulated application

2.1 Door lock hardware is hardware for entrance, side and inside doors in building construction.

This hardware is used for:

- bringing door sashes, by activation of a handle, into open position.

Door lock hardware is used for installation in entrance, side and inside doors which are to be vertically installed, made from timber, PVC, aluminium or composite materials.

According to the definition above, the regular function of the door lock hardware is closing and opening of door sashes. When the sash is closed, the resistance of a gasket normally needs to be overcome.

2.2 Misuse – exclusion of liability

Misuse is not compliant with the basic purpose of hardware. Anti-theft doors for wet spaces and installation in aggressive and corrosive climate require special hardware with particularly defined characteristics, adjusted to individual building case.

2.3 Restrictions on the use

Open doors only have protective function and do not provide door fissure sealing, safety in heavy rain or snow, sound and thermal insulation and anti-theft protection. In windy weather and in case of draught, doors must be closed and bolted. Windy weather and draught logically mean that doors open and close automatically and uncontrollably in the open position due to air pressure or whirlwind. The only way to make doors fixedly open, is to install additional hardware elements.

2.4 Use in case of special requirements

Wind resistance of the closed door depends on the actual structure of doors. In case a door has to endure wind load, according to the DIN EN 12210 standards (in particular pressure test p3), suitable hardware compilations are to be matched in relation to the respective door design and frame material, and each case individually agreed upon.

In general, door lock hardware meets the requirements according to the DIN 18025 standards, applicable to open-type buildings. To this end, particular agreements and adjustments regarding the appropriate hardware structure and its installation on doors are required.

3. Misuse of the product

Misuse of the door lock hardware (i.e. the use, non-compliant with intended use of the product) includes the following:

- inserting obstacles in the opening vicinity between the frame and sash and thus preventing the proper specified use,
- if, contrary to the instructions of use, the door or the sash is uncontrollably pushed toward the door reveals (e.g. because of the wind), causing damage or destruction of doors, sash material or other parts of the door and the sash,
- additional load on door's sashes (if, for example, children swing on the door sashes),
- inserting a hand or an object into the rebate between the frame and the sash when closing the door (risk of injury).

4. Product warranty

The manufacturer of ARX building hardware provides a **lifetime warranty** on functionality and a 10-year warranty on surface protection, starting from the date of delivery of goods that is defined or can be defined and applies to the territory of the EU.

The warranty applies exclusively to the use of ARX building hardware components. In case of combining ARX building hardware components with components of other manufacturers, this warranty is void. The warranty applies to all manufacturers and suppliers of doors and windows who use ARX building hardware, delivered at their delivery or production after April 1, 2021.

For more information please check warranty conditions on webpage - www.arx-hardware.com.

5. Product characteristics – manufacturer's instructions for use

5.1 Maximum sash weights

The maximum sash weight for individual hardware installation must not be exceeded. The construction element with the smallest possible permissible load defines the maximum weight of the sash. Limitations and component classification must be considered.

5.2 Hardware combination

The manufacturer's regulations, regarding the combination of hardware (i.e. the application of additional parts, the hardware design for anti-theft door sashes), must be followed.

5.3 Hardware functionality

Permanent hardware functionality can be ensured by consistently following the rules below:

- Professional installation of hardware components must be performed according to the attached instructions for installation,
- hardware assembly in the process of door installation is to be done professionally,

- the door manufacturer must deliver the instructions for use and maintenance to the user, along with the guidelines regarding product warranty,
- hardware as a whole can only consist of the original ARX building hardware; any product warranty is excluded for simultaneously using hardware parts, not originally belonging to the ARX building hardware.

6. Product maintenance

Hardware components, important for safety, must be checked at least once a year for fitting tightness and tight fitting. If necessary, the fixing screws can be additionally fastened and the component parts replaced. The following maintenance work must be performed at least once a year:

- Greasing and functional control of all the movable parts and all the locking points of the door lock hardware.
- only the cleaning and maintenance agents, which do not reduce the anti-corrosion hardware protection, may be used.

Particularly in the vicinity of the door hinges, as well as replacement parts and the unhinging & hinging of the active sash – must be provided by highly-qualified experts. In case of surface treatment for doors (e.g. varnishing), all the hardware components must be excluded from treatment; they must also be protected against potential contamination, caused by surface treatment.

6.1 Maintaining the quality of surface treatment

In normal climate, the galvanized coating is not damaged by corrosion, as long as condensed water is not produced in hardware parts or if the condensed water quickly dries up.

In order to maintain long-lasting quality of surface treatment and prevent adverse corrosion effects, the instructions below must be followed:

- Hardware and door rebates must be thoroughly aired (particularly during the construction phase) by making sure that the elements mentioned are not exposed to moisture and condensed water,
- hardware must be protected against any covers or contamination with building materials (e.g. roughcast, dust, cement and the like),
- aggressive vapours in the door rebate (e.g. formic acid and acetic acid, ammonia, amino- and ammonium compounds, aldehyde, phenol, tannic acid etc.) may quickly lead to corrosion of hardware components in combination with a small amount of condensed water; in case of aggressive vapours, thorough airing of rebates on doors must be provided; this is particularly important for doors made of oak and other types of wood, containing a large amount of tannic acid,
- gaskets with acetic acid or acidic net structure or gaskets, containing the above mentioned ingredients must not be used, as the direct contact with the gasket and its vapours may corrode the hardware surface,

- hardware can only be cleaned with soft, ph-neutral cleaning agent in diluted form; aggressive, acidiferous cleaners or abrasive cleaning agents, containing the above mentioned ingredients, must not be used at any time.

7. Information and instructions

In order to carry out duties of informing and giving instructions and performing maintenance according to »Consumer Protection Act«, the following publications are available:

- »Catalogues« for designers and authorized dealers,
- »Installation instructions« and »factory drawings« for manufacturers of doors,
- »Instructions for maintenance and cleaning« and »Instructions for use« for investors and users.

In order to ensure the functionality of the door lock hardware for entrance, side and inside doors, the following rules must be observed:

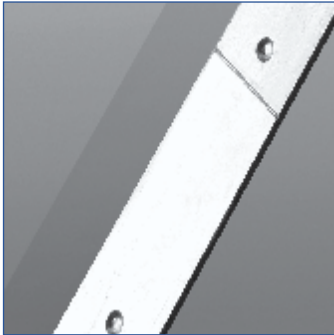
- The designers are required to obtain information from the manufacturer or the authorized dealer, regarding the products, and act accordingly,
- the authorized dealers must pay attention to product information and the information mentioned herein, along with installation instructions, factory drawings and instructions for maintenance and cleaning; they must obtain instructions for use from the manufacturer and pass them on to manufacturers of doors,
- the manufacturers of doors must consider all the relevant product information and ask the manufacturer or authorized dealer for maintenance,
- cleaning instructions in particular, along with instructions for use and pass them on to investors and users.

All information regarding door lock hardware systems for entrance, side and inside doors should be observed. In case of non-compliance the manufacturer is exempt from liability.

HIGH-QUALITY, DURABLE, SIMPLE

With multi point locking systems, ARX door locks offers solutions for the most diverse security requirements. Beside the latch and deadbolt in the main lock, your door can be closed with additional locking points - R cam, RS cam, hook, automatic hook or latch bolt. ARX door locks offer a wide range of solution for single and french doors. They also provide high level of flexibility, as the door height

can be increased by using a variety of combinations. In addition to high security, they also ensure good compression along the whole height of the door leaf. Strong sealing reduces the loss of thermal energy and improves sound insulation.



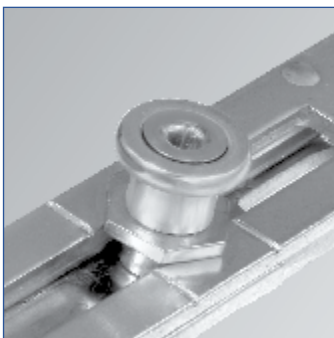
ARXCoat – High quality surface protection

ARX Coat surface protection gives excellent appearance to building hardware and simultaneously ensures long-term and durable surface. It maintains very high corrosion resistance in severe conditions and extreme climate, exceeding Grade 5 of BS EN 1670 (480 hours exposure to salt spray), thereby guaranteeing long-term and simple use.



R cam

R cams incorporate a regulatory function which allows installer or user to optimize the window compression by +/- 1,2 mm, thereby improving the sealing properties of windows and balcony doors. Moreover, the R cams provide smoother operation to window users who only need to apply a minimum force in order to operate the handle.



RS cam

RS cams provide superior level of security at closing points (with security strikers). Their height adjusts automatically to fit the air-gap between sash and frame. The compression can be regulated by +/- 0.8 mm (hex key size 2.5 or spanner size 10). The rolling cam enables smoother and easier closing operation. RS cams can be used in combination with both security strikers or standard strikers.



Main lock

Main lock's modular design is designed to suit demands of different markets all over the world. Split spindle, level-lever, door lock without deadbolt, different hole distance and different backset are demands, which make no problem for our main lock. Main features of our door locks besides modular design are smooth operating and high endurance. Over 10 million installed door locks and over 30 years of experience are a guarantee for quality.



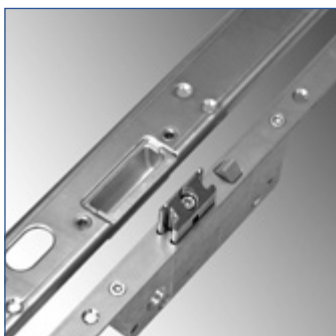
Automatic hook - AH

Our latest innovation in ARX Door Lock range are steel automatic hooks. During the closing of door leaf, automatic hooks are automatically activated, so they offer the highest level of security. With automatic function, automatic hooks ensure great sealing every time the door closes. Automatic hooks make a unique solution in combination with self-adjustment hook keep, which doesn't need any adjustment during lifetime period. Even in case of bended door panel during different weather conditions, our patented solution ensure effortless functioning.



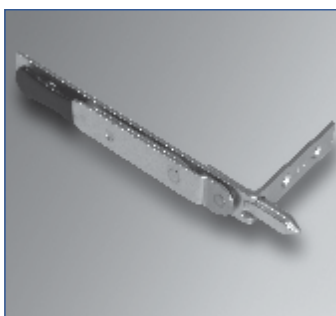
Bi-directional hook - H

Genius design of the hook mechanism has integrated reversing action in hook gearbox as an option. This patented solution ensures that steel hook closes in two directions – up or down by the same travel of driving road. Bi-directional hook increases safety, while the door cannot be lifted. Steel hook has an integrated hardened steel inset, which prevent sawing. Next big advantage from our bi-directional hook is small dimension of hook gearbox. This reduces fabrications cost through shortening time needed for routing. Small routing details also mean bigger stability of the profile. And with stability of the profile increases also the safety of the door.



Latch bolt - LB

Latch bolt is the heart of our new automatic cylinder operated door lock. The door is locked when pulled shut. During door leaf closing, the latch bolts are automatically activated. Latch bolt's throw is 20 mm and is secured, so it can't be pushed back. This provides great level of security every time, when the door is closed. From the inside, the door lock can be opened with a handle or with a key and from the outside, the door lock can be operated with a key.



Wide range of application

ARX door lock offers a wide range of solutions for different applications, like:

- french door,
- stable door,
- storm door,
- doors with low threshold,
- etc.

Endurance and reliability



ARX door lock acquired Certificate EN 1191, EN 12400, according to QM 342 scheme for door locks issued by ift Rosenheim. Door locks have passed the IFT Rosenheim test according to prEN 15685: 2011, which defines life cycle test with 200,000 cycles and the mechanical load test. The door locks were tested for the quality of corrosion protection coating and operation at high temperatures.



Our door locks are tested in IFT Rosenheim GmbH according to EN 1191 and EN 15685. This ensures long time and effortless use during whole life cycle of the door lock.

Secured by design

Our door locks are designed to meet Security by Design Requirements (PAS 24). This include door locks for single door, french door and for composite door.



Important information

In order to fix hardware components, silver galvanized, steel construction screws of 4,2 x 25 mm and 4,2 x 35 mm. The door manufacturer must ensure sufficient fixing of hardware components. If necessary, the manufacturer of construction screws may also be included in the process of installing hardware.

Gaskets with acetic acid net structure must not be used, as their use may lead to corrosion of hardware components. Guidelines regarding the window glazing technique must be followed.

SYMBOLS AND ABBREVIATIONS

In the part describing the ARX door lock hardware, different symbols, abbreviations, diagrams and tables are used in order to provide a clear picture and demonstration of the hardware application. The meanings are as follow:

Symbols



Screws



Packer U27



Packer U35



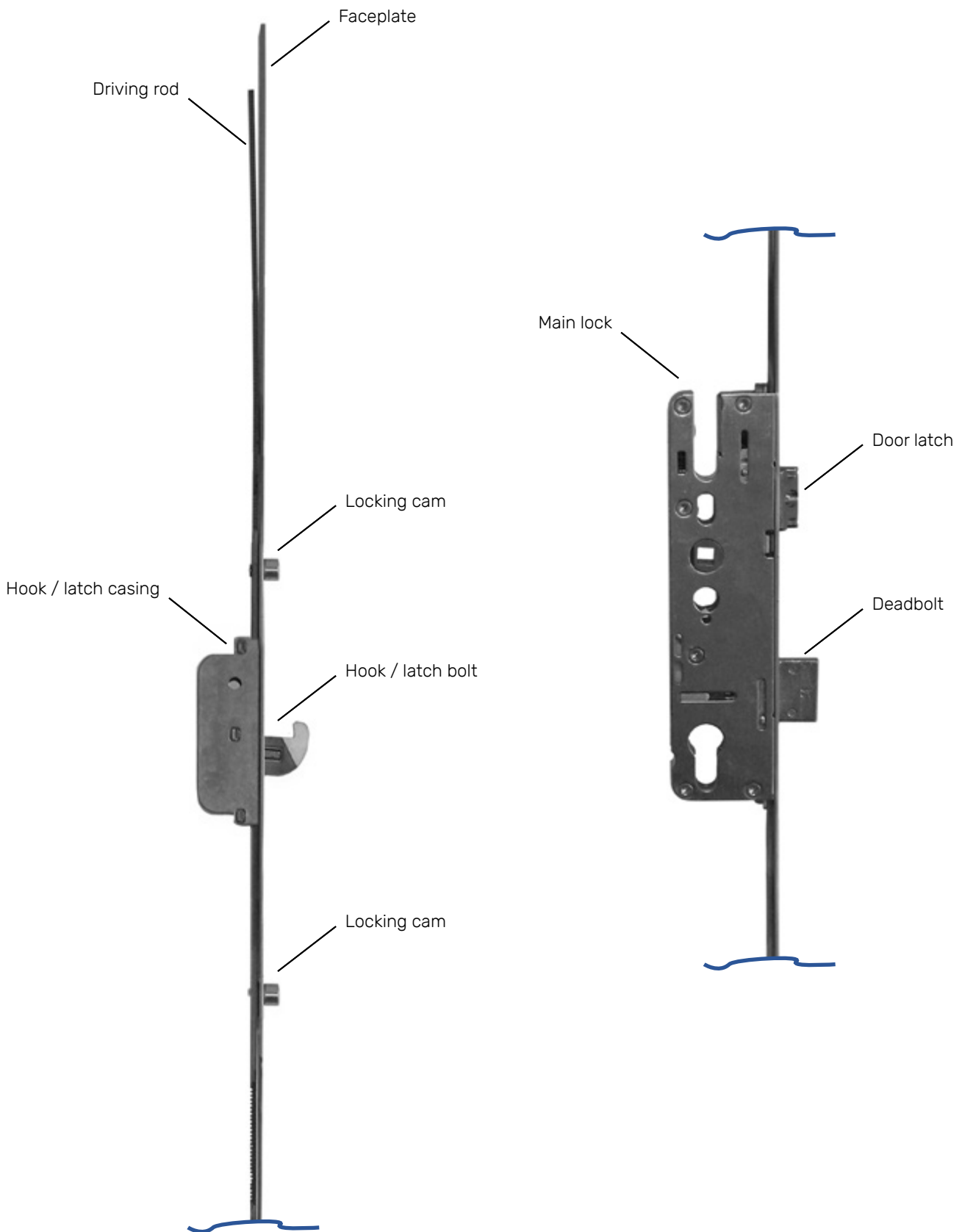
Cover cap

Abbreviations

ABBREVIATIONS IN THE TABLES

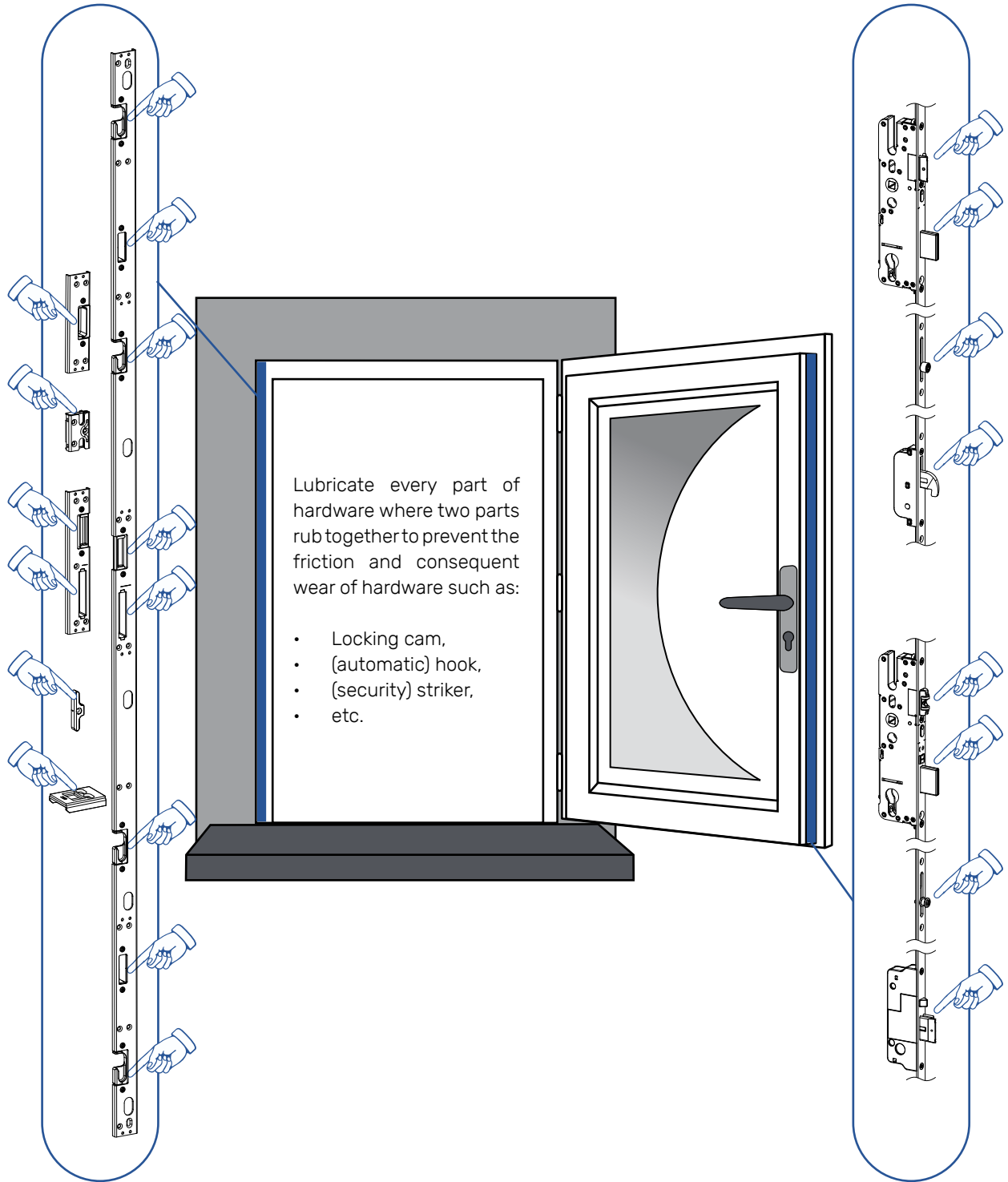
2AH	Number of automatic hooks
2H	Number of hooks
2LB	Number of latch bolts
4R	Number of rolling cams
4RS	Number of rolling security cams
4R2H	Combination - Number of cams and hooks
2x16	2 mm thick, 16 mm wide faceplate
BS	Backset
CLA	Cylinder lock - Automatic
CLC	Cylinder lock - Comfort
CLP	Cylinder lock - Portal
CL	Cylinder operated lock
DRF	Daytime release function
EX	Extendable
FP	Faceplate dimension / shape
HD	Hole distance
HH	Handle height
HL	Handle lock
HL2	Handle lock (throw 18 mm)
HL/P	Handle lock passive
HL/W	Handle lock wechsel
L	Left
R	Right
OHG	Opposing hardware groove
PACK	Packaging quantity
RA	Reversible action
RF	Roll latch
SA	Self adjustment striker
SB	Shootbolt
SPIN	Spindle
TPL	Three parts lock
U24	U shaped, 24 mm wide faceplate
WDB	Without deadbolt

DOOR LOCK COMPONENTS



MAINTENANCE RECOMMENDATIONS

Hardware lubrication



Regular greasing and oiling of operation-relevant components in the sash and frame is recommended at least once a year. In case of frequent use as in schools, hotels the oiling is recommended once in six months.

Acid free and non-resinous grease and/or oil from a specialized dealer must be used.



DESCRIPTION	MATERIAL
ARX - HIGH QUALITY HARDWARE GREASE	1055144



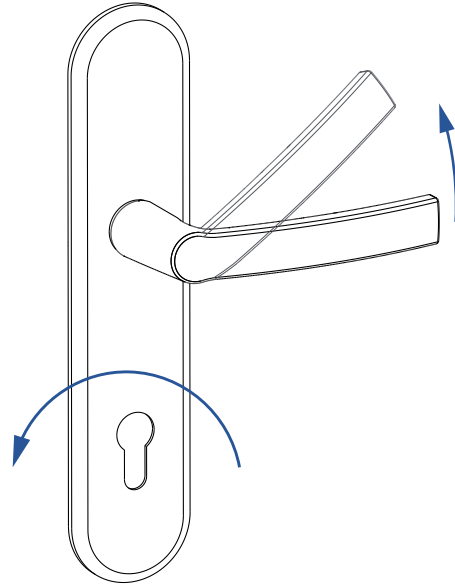
1055144

DOOR LOCK OPERATION

HL - handle lock

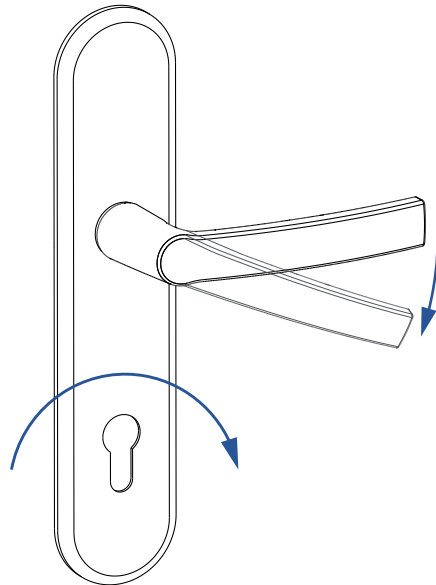
Locking

1. By lifting the handle, locking is performed and all locking elements are closed,
2. With the turning of the key, doorlock mechanism is blocked and secured.



Unlocking

1. With the turning of the key, doorlock mechanism is unblocked,
2. By pressing the handle, all locking elements are released. The door will become free to open at that point.

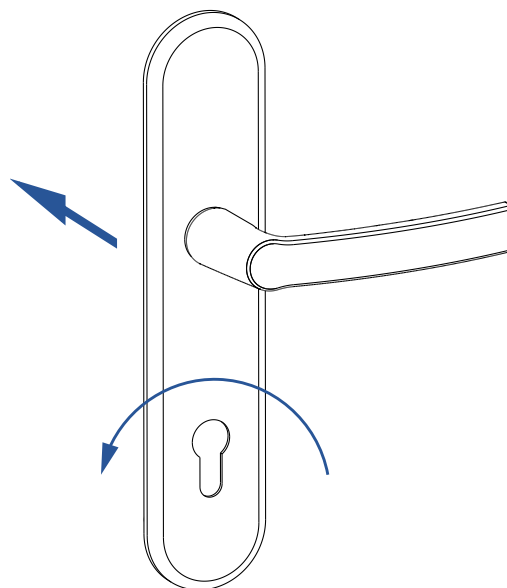


DOOR LOCK OPERATION

CLA - cylinder lock automatic

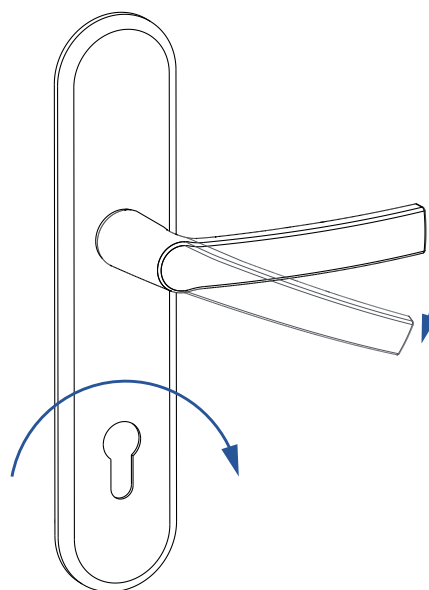
Locking

1. Locking is performed automatically during closing of the door,
2. With the turning of the key, doorlock mechanism is blocked and secured.



Unlocking

1. With the turning of the key, doorlock mechanism is unblocked,
2. By pressing the handle, all locking elements are released. The door will become free to open at that point.

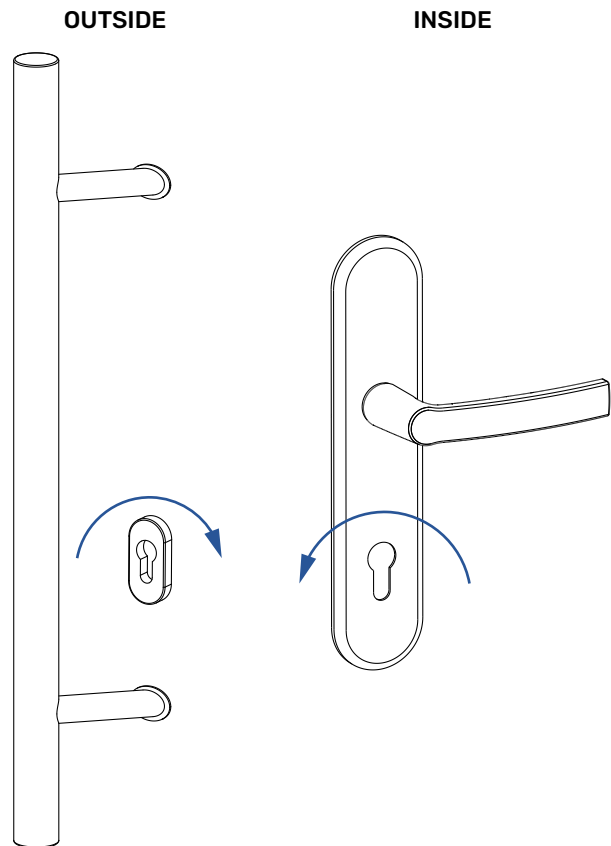


DOOR LOCK OPERATION

CLC - cylinder lock comfort

Locking

1. Locking is performed automatically during closing of the door. At that point the door is closed and secured,
2. With the turning of the key, deadbolt is activated for additional security (optional).

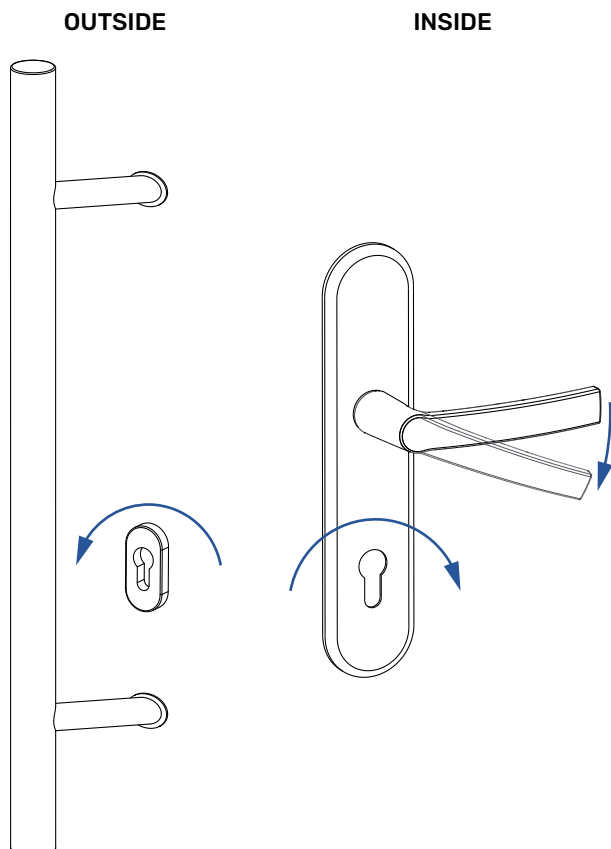


Unlocking

With the turning of the key, all locking elements will be released. The door will become free to open at that point.

OR

By pressing the handle, all locking elements will be released. The door will become free to open at that point.



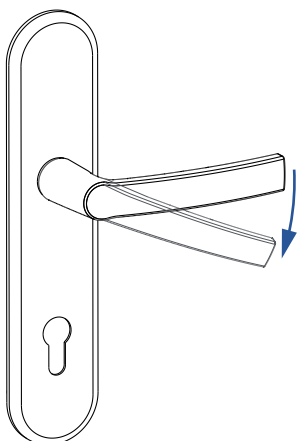
DOOR LOCK OPERATION

DRF - daytime release function

Day-time mode

In daytime mode, the door can be opened without the use of key, from the outside and from the inside.

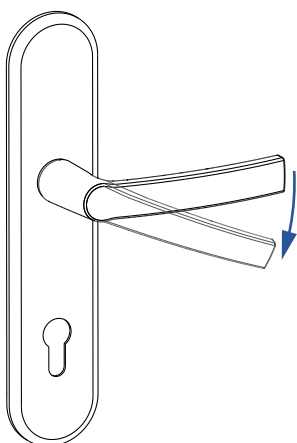
1. Press the handle and hold it until the end of the 2. step.
2. Move the slider on the faceplate to the left and than release the handle.



Night-time mode

From the inside, it is possible to open the door without a key.

1. Press the handle and hold it until the end of the 2. step.
2. Move the slider on the faceplate to the right and than release the handle.





Product portfolio

Basic schemes
Proposed guidelines

HL - ROLLING CAMS | PVC

4 rolling cams | 1810 mm

1 HL DOOR LOCK 4R

BS	HD	SPIN	FP	HH	PACK	MATERIAL
28	92	8	2 x 16	950	260	1141487
35	92	8	2 x 16	950	260	1107884

2 CENTER LATCH KEEP ¹⁾

FP	POS	PACK	MATERIAL
U27 x 7,5	L	50	1098433
U27 x 7,5	R	50	1098432

3 STRIKERS

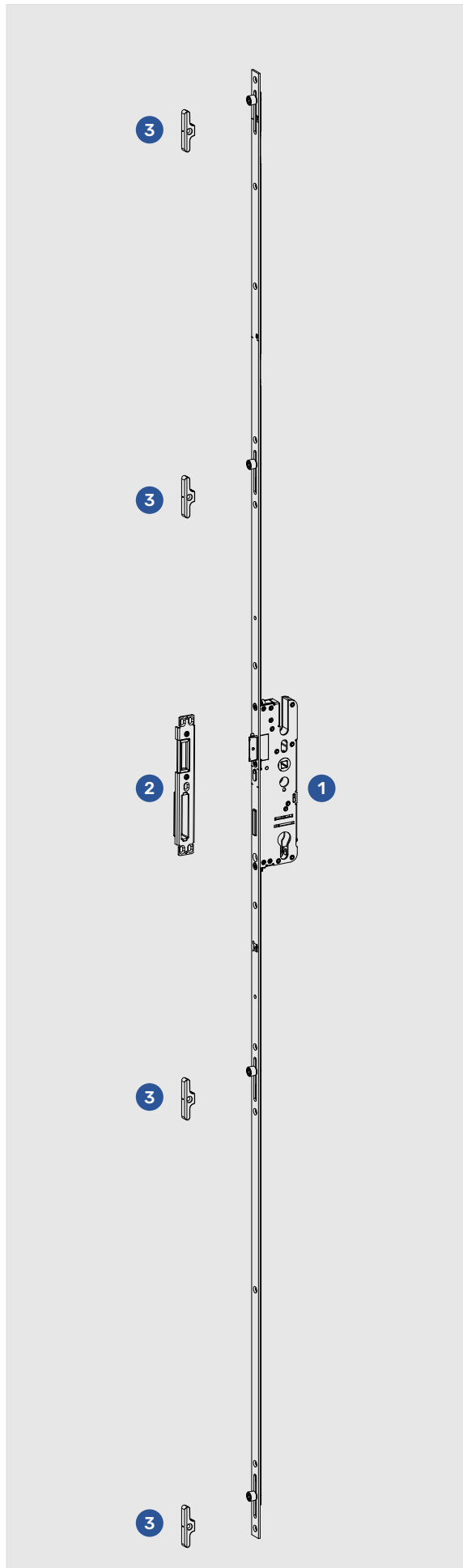
STRIKER

PAGE 129

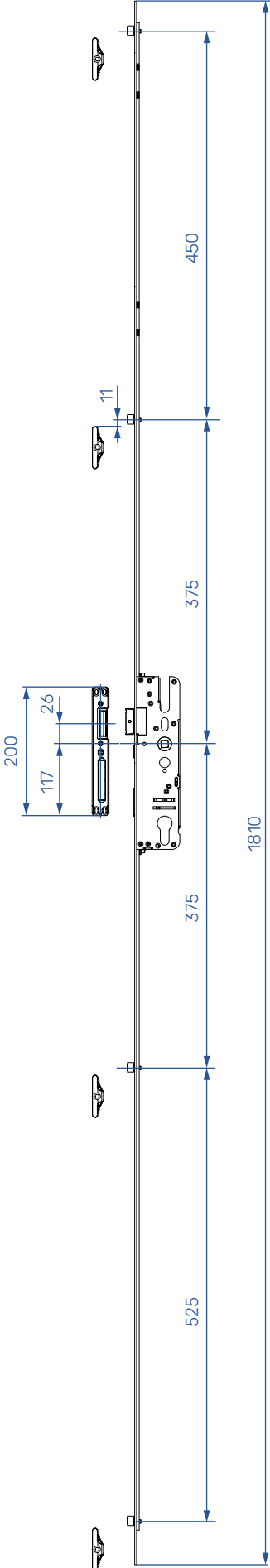
4 PACKERS

CENTER LATCH KEEP PACKER

PAGE 128



¹⁾ WITHOUT PACKERS - SEE 4



HL - ROLLING CAMS | PVC

4 rolling cams | 1837 mm | Extendable

1 HL DOOR LOCK 4R

BS	HD	SPIN	FP	HH	PACK	MATERIAL
45	92	8	2 x 16	1020	220	1129328

2 CENTER LATCH KEEP ¹⁾

FP	POS	PACK	MATERIAL
U27 x 7,5	L	50	1098433
U27 x 7,5	R	50	1098432

3 STRIKERS

STRIKER

PAGE 129

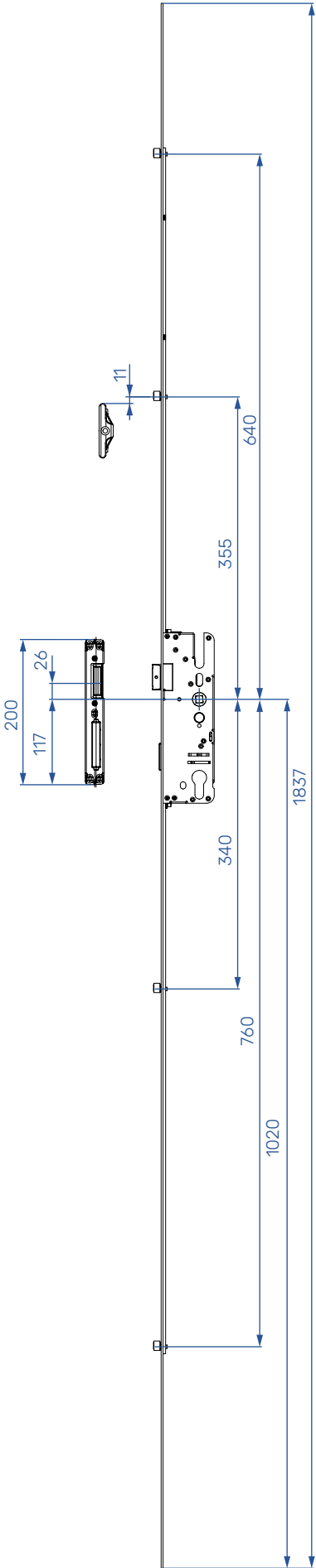
4 PACKERS

CENTER LATCH KEEP PACKER

PAGE 128



¹⁾ WITHOUT PACKERS - SEE 4



HL - ROLLING CAMS | PVC

3 + 1 rolling cams | 1910 mm | Extendable

1 HL DOOR LOCK 3R

BS	HD	SPIN	FP	HH	PACK	MATERIAL
45	92	8	2 x 16	1020	220	1135928

2 CENTER LATCH KEEP ¹⁾

FP	POS	PACK	MATERIAL
U27 x 7,5	L	50	1098433
U27 x 7,5	R	50	1098432

3 SHOOTBOLT

FP	LENGTH	PACK	MATERIAL
2 x 16	230	50	1093889

4 EXTENSION 1 R

FP	LENGTH	PACK	MATERIAL
2 x 16	140	100	1135927

5 STRIKERS

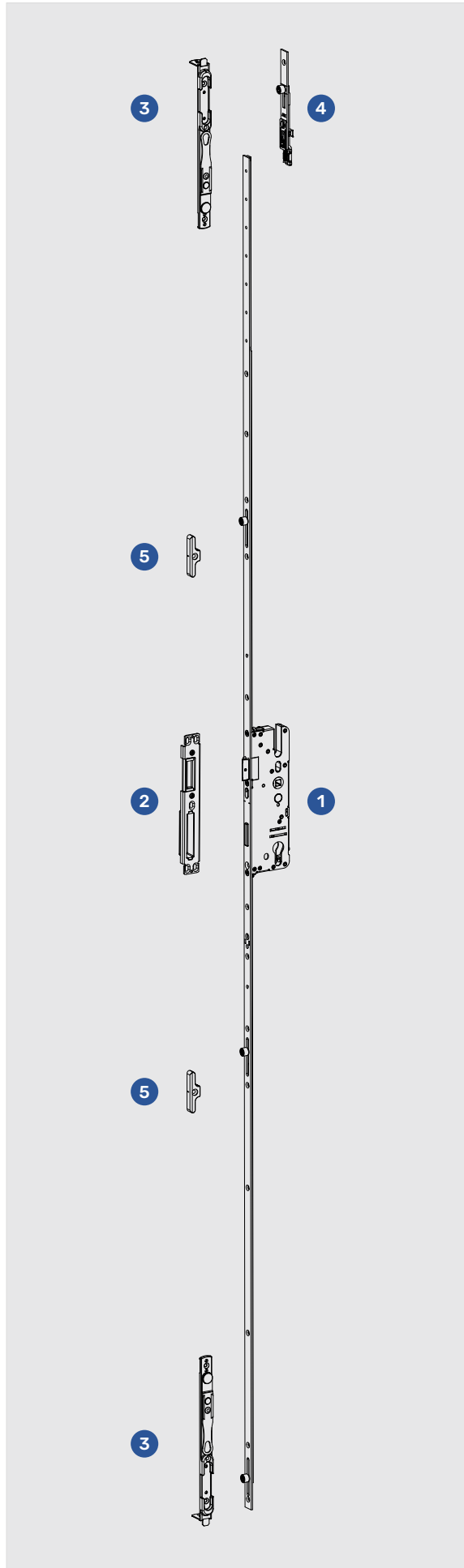
STRIKER

PAGE 129

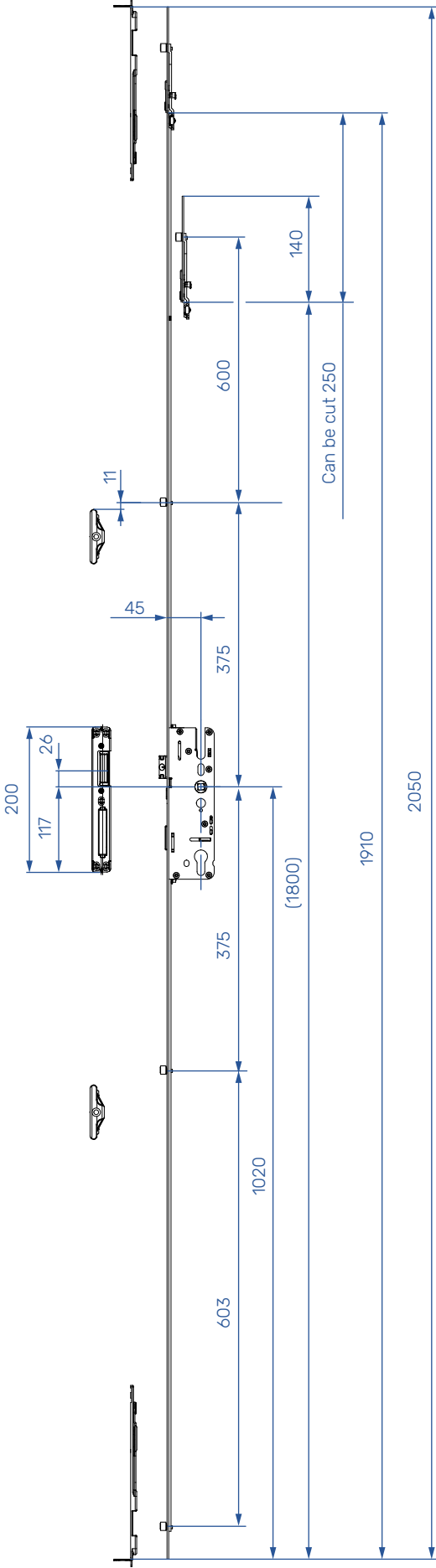
6 PACKERS

CENTER LATCH KEEP PACKER

PAGE 128



¹⁾ WITHOUT PACKERS - SEE **6**



HL - ROLLING CAMS | PVC

4 rolling cams | 2200 mm | Extendable

1 HL DOOR LOCK 4R

BS	HD	SPIN	FP	HH	PACK	MATERIAL
28	92	8	2 x 16	1020	260	1098444
35	92	8	2 x 16	1020	260	1098445
40	92	8	2 x 16	1020	260	1098446
45	92	8	2 x 16	1020	220	1098447
50	92	8	2 x 16	1020	220	1098448
55	92	8	2 x 16	1020	200	1098449
65	92	8	2 x 16	1020	180	1098450
35	92	8	2 x 20	1020	260	1111800
45	92	8	2 x 20	1020	220	1117954

1a HL2 DOOR LOCK 4R

BS	HD	SPIN	FP	HH	PACK	MATERIAL
25	92	8	2 x 16	1020	260	1111234

2 CENTER LATCH KEEP ¹⁾

FP	POS	PACK	MATERIAL
U27 x 7,5	L	50	1098433
U27 x 7,5	R	50	1098432

3 EXTENSION 1 R ²⁾

FP	LENGTH	PACK	MATERIAL
2 x 16	400	10	1102897

4 SHOOTBOLTS ²⁾

FP	LENGTH	RA	POS	PACK	MATERIAL
2 x 16	140	N/A	UP	100	1102206
2 x 16	135	YES	DOWN	100	1102205

5 KEEPS ¹⁾

FP	PACK	MATERIAL
U35 x 7,5	100	1102281
U27 x 7,5	100	1098434

6 STRIKERS

STRIKER

PAGE 129

7 PACKERS

CENTER LATCH KEEP PACKER

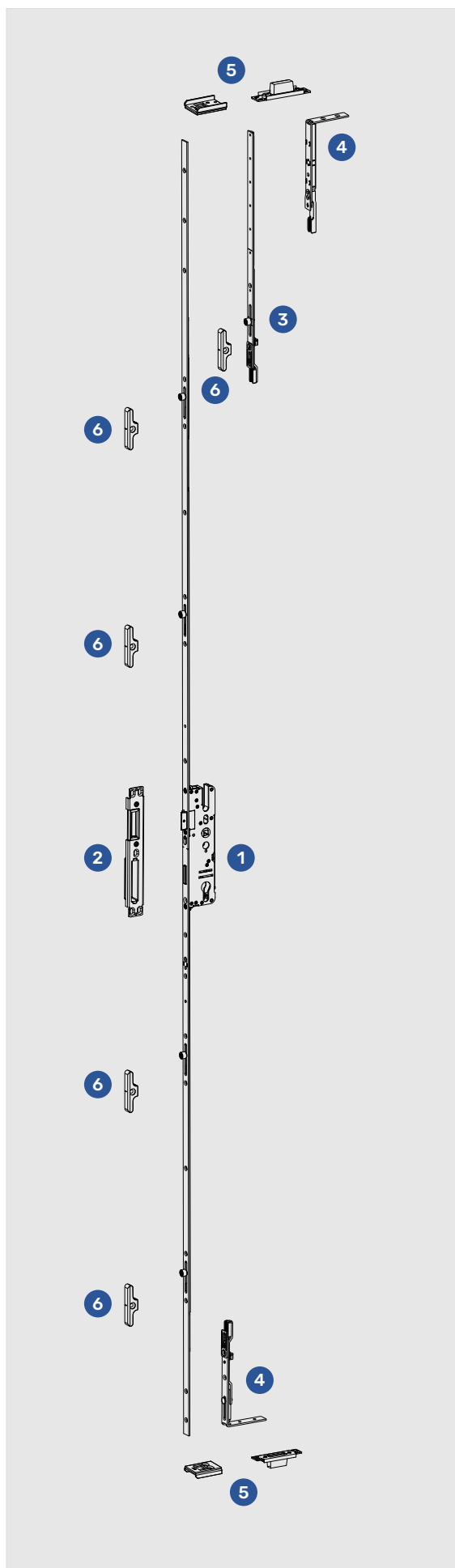
PAGE 128

HOOK KEEP PACKERS

PAGE 128

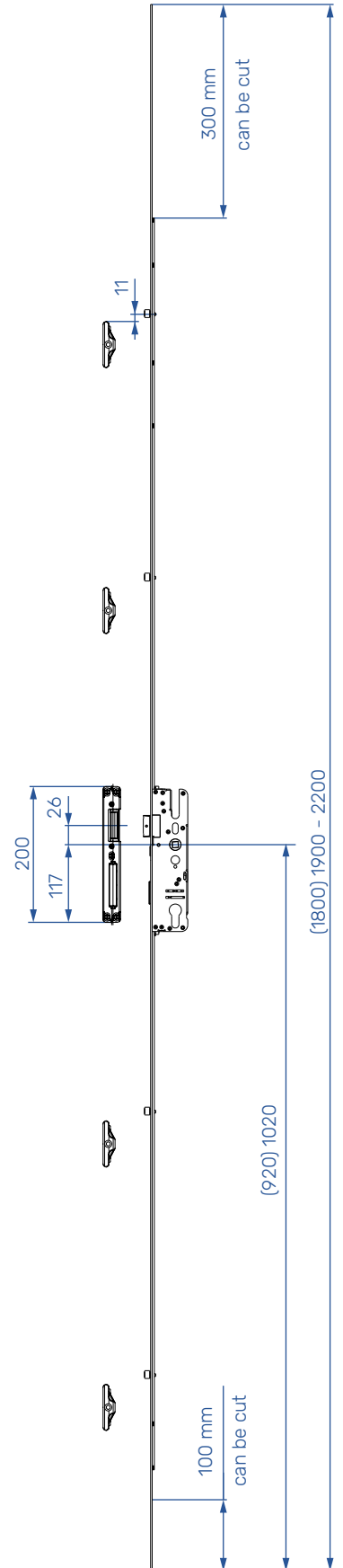
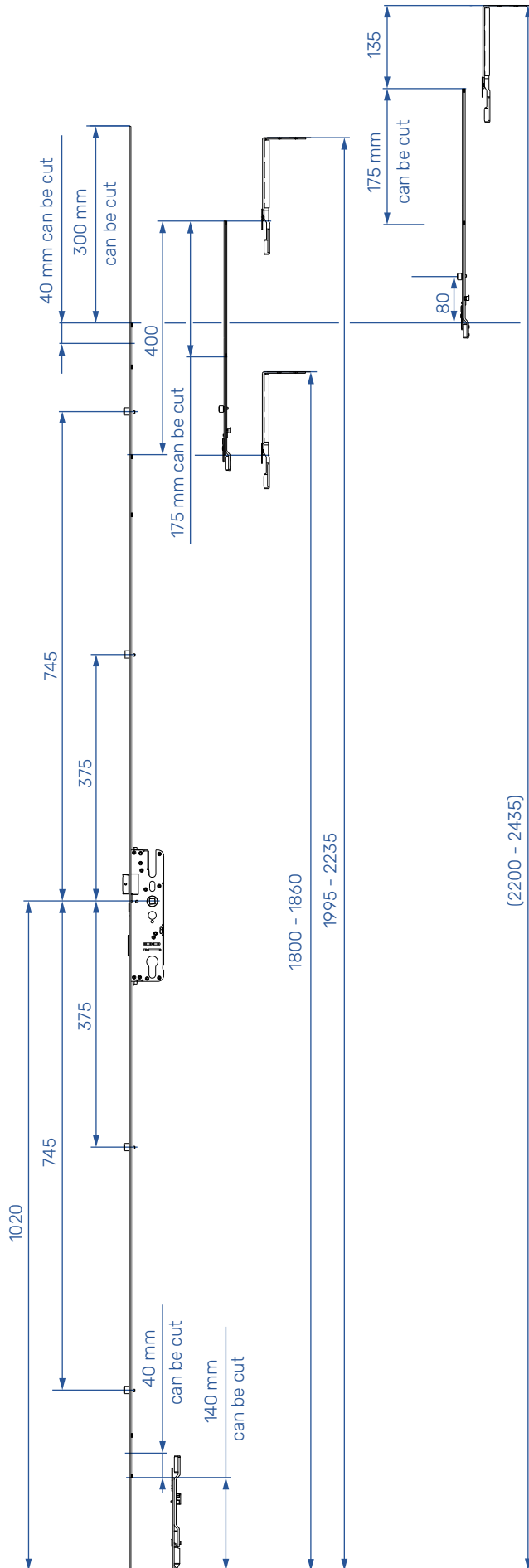
SHOOTBOLT KEEP PACKERS

PAGE 130



¹⁾ WITHOUT PACKERS - SEE **7**

²⁾ USED ONLY WITH DOOR LOCK WITH 2 x 16 FACEPLATE



HL - ROLLING CAMS | PVC

4 rolling cams | 2500 mm | Extendable

1 HL DOOR LOCK 4R

BS	HD	SPIN	FP	HH	PACK	MATERIAL
28	92	8	2 x 16	1020	260	1108310
35	92	8	2 x 16	1020	260	1108311
40	92	8	2 x 16	1020	260	1108312
45	92	8	2 x 16	1020	220	1108313
50	92	8	2 x 16	1020	220	1108314
55	92	8	2 x 16	1020	200	1108315
65	92	8	2 x 16	1020	180	1108316

2 CENTER LATCH KEEP ¹⁾

FP	POS	PACK	MATERIAL
U27 x 7,5	L	50	1098433
U27 x 7,5	R	50	1098432

3 EXTENSION 1R

FP	LENGTH	PACK	MATERIAL
2 x 16	400	10	1102897

4 SHOOTBOLTS

FP	LENGTH	RA	POS	PACK	MATERIAL
2 x 16	140	N/A	UP	100	1102206
2 x 16	135	YES	DOWN	100	1102205

5 KEEPS ¹⁾

FP	PACK	MATERIAL
U35 x 7,5	100	1102281
U27 x 7,5	100	1098434

6 STRIKERS

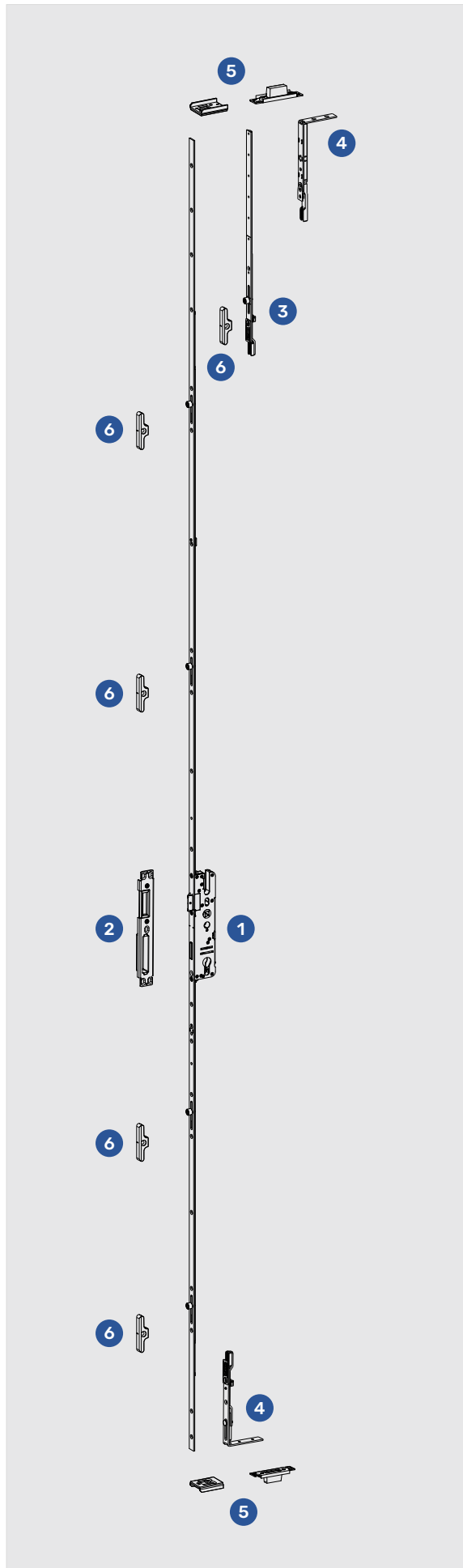
STRIKER

PAGE 129

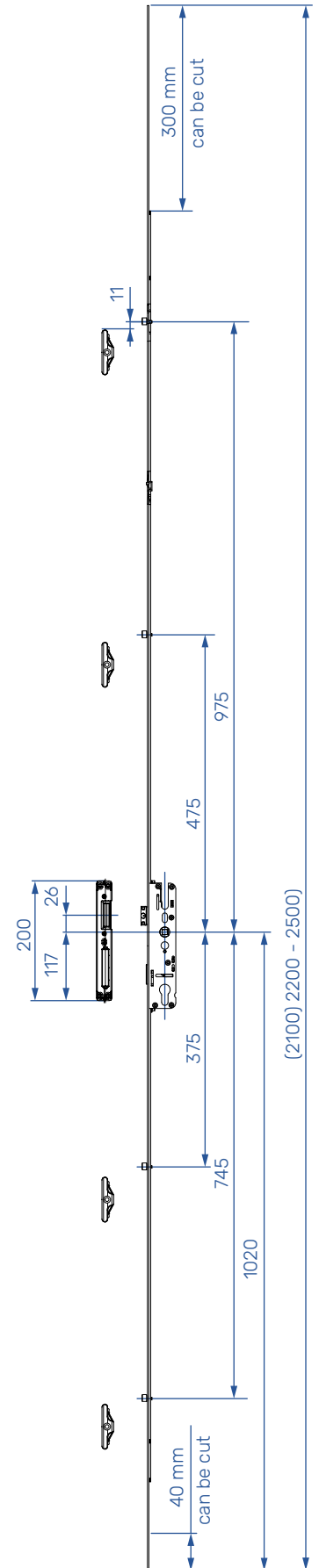
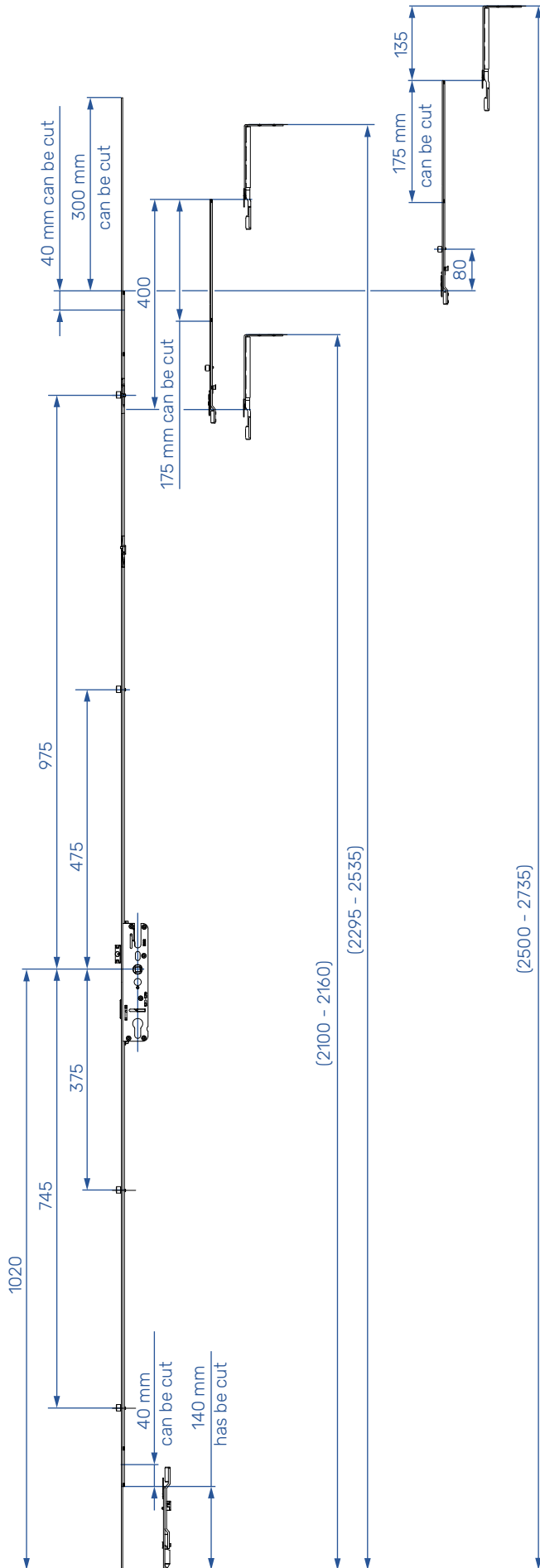
7 PACKERS

CENTER LATCH KEEP PACKER
 HOOK KEEP PACKERS
 SHOOTBOLT KEEP PACKERS

PAGE 128
 PAGE 128
 PAGE 130



¹⁾ WITHOUT PACKERS - SEE **7**



HL - ROLLING CAMS | PVC | FRENCH DOOR

4 rolling cams | 2200 mm | Extendable

1 HL DOOR LOCK 4R

BS	HD	SPIN	FP	HH	PACK	MATERIAL
28	92	8	2 x 16	1020	260	1098444
35	92	8	2 x 16	1020	260	1098445
40	92	8	2 x 16	1020	260	1098446
45	92	8	2 x 16	1020	220	1098447
50	92	8	2 x 16	1020	220	1098448
55	92	8	2 x 16	1020	200	1098449
65	92	8	2 x 16	1020	180	1098450

2 EXTENSION 400 1R

FP	PACK	MATERIAL
2 x 16	10	1102897

3 CENTER LATCH KEEP ¹⁾

FP	POS	PACK	MATERIAL
U27 x 7,5	L	50	1098433
U27 x 7,5	R	50	1098432

4 HL/P FR. DOOR ESPAGNOLETTE

FP	LENGTH	PACK	MATERIAL
2 x 16	1800	10	1126508

5 SHOOTBOLT REVERSE ACTION

FP	LENGTH	PACK	MATERIAL
2 x 16	140	100	1135332

6 SHOOTBOLT WITH LEVER - OHG

FP	LENGTH	PACK	MATERIAL
2 x 16	150	100	1101899

7 SHOOTBOLT

FP	LENGTH	PACK	MATERIAL
2 x 16	140	100	1102206

8 SHOOTBOLT REVERSE ACTION

FP	LENGTH	PACK	MATERIAL
2 x 16	135	100	1102205

9 SHOOTBOLT KEEP - ALU THRESHOLD

FP	LENGTH	PACK	MATERIAL
U24 x 7,6	140	100	1119694

10 HOOK KEEP ¹⁾

FP	PACK	MATERIAL
U27 x 7,5	100	1098434

11 STRIKER

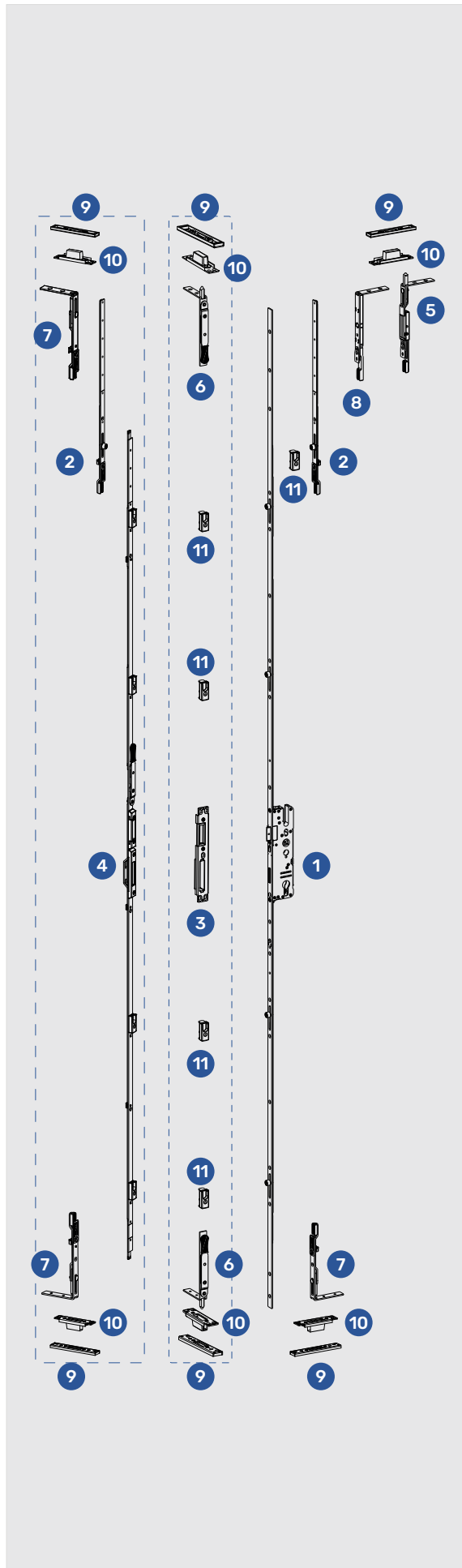
STRIKER OHG 1083207

12 PACKER

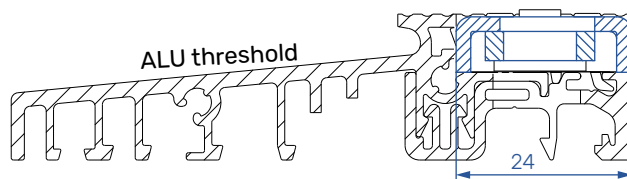
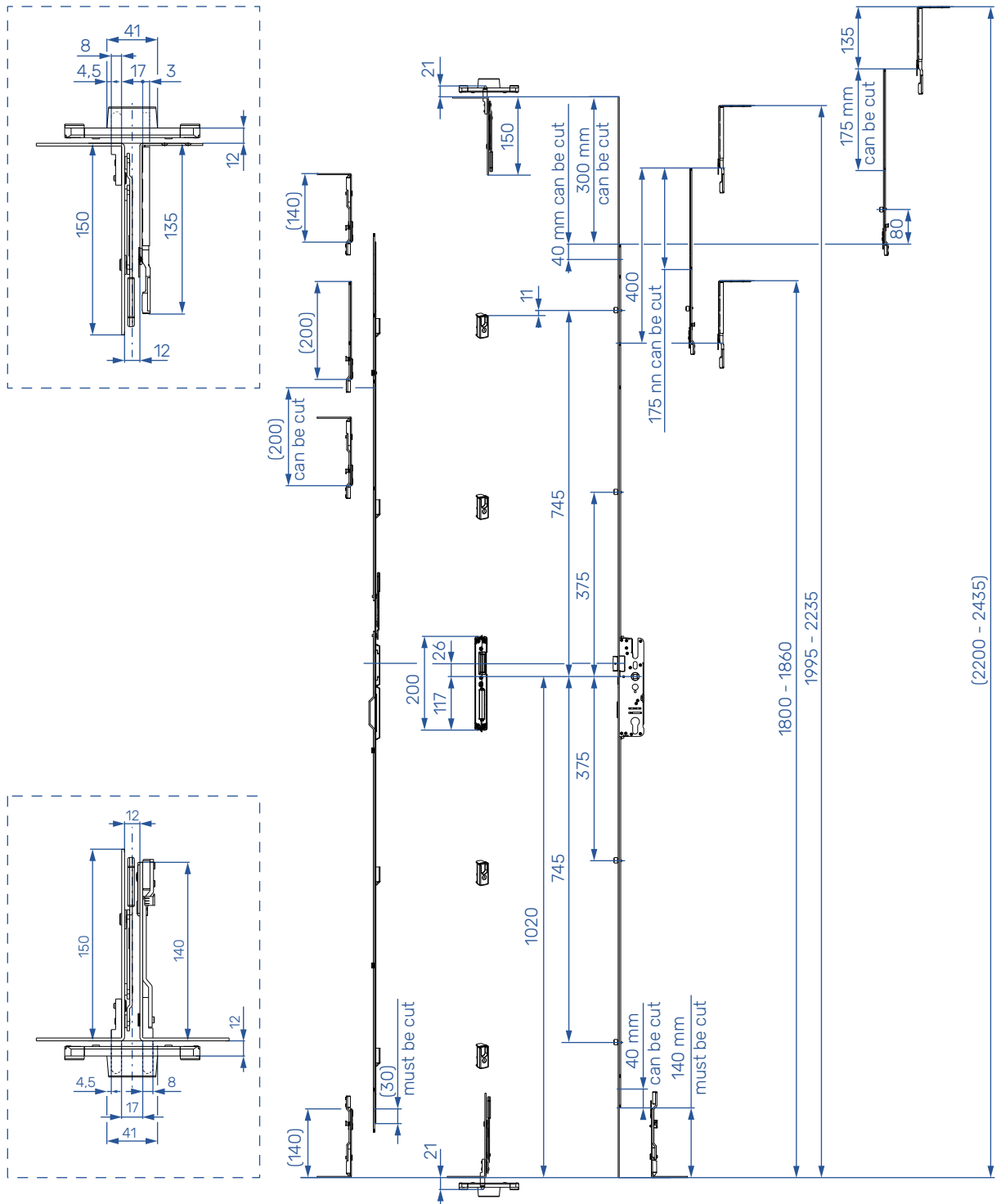
CENTER LATCH KEEP PACKER
HOOK KEEP PACKER

PAGE 128

PAGE 128



¹⁾ WITHOUT PACKERS - SEE 12



HL - ROLLING SECURITY CAMS | PVC

4 rolling security cams | 2200 mm | Extendable

1 HL DOOR LOCK 4RS

BS	HD	SPIN	FP	HH	PACK	MATERIAL
28	92	8	2 x 16	1020	260	1098451
35	92	8	2 x 16	1020	260	1098452
40	92	8	2 x 16	1020	260	1098453
45	92	8	2 x 16	1020	220	1098454
50	92	8	2 x 16	1020	220	1098455
55	92	8	2 x 16	1020	200	1098456
65	92	8	2 x 16	1020	180	1098457

1a HL2 DOOR LOCK 4 RS

BS	HD	SPIN	FP	HH	PACK	MATERIAL
25	92	8	2 x 16	1020	260	1111235

2 CENTER LATCH KEEP ¹⁾

FP	POS	PACK	MATERIAL
U27 x 7,5	L	50	1098433
U27 x 7,5	R	50	1098432

3 EXTENSION 1R

FP	LENGTH	PACK	MATERIAL
2 x 16	400	10	1102897

4 SHOOTBOLTS

FP	LENGTH	RA	POS	PACK	MATERIAL
2 x 16	140	N/A	UP	100	1102206
2 x 16	135	YES	DOWN	100	1102205

5 KEEPS ¹⁾

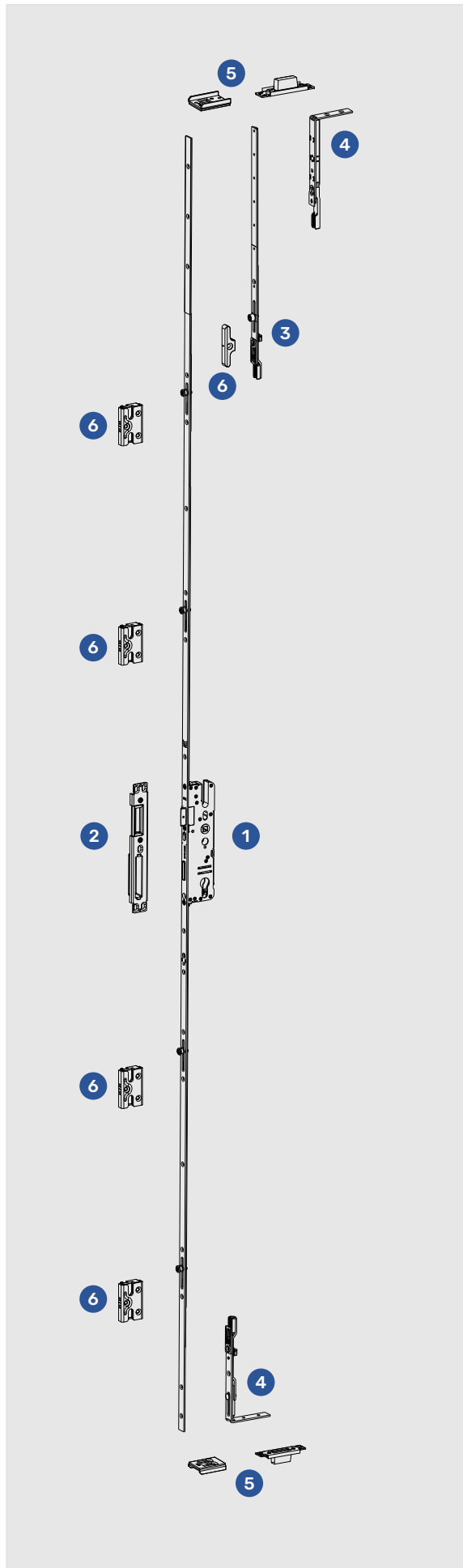
FP	PACK	MATERIAL
U35 x 7,5	100	1102281
U27 x 7,5	100	1098434

6 STRIKERS

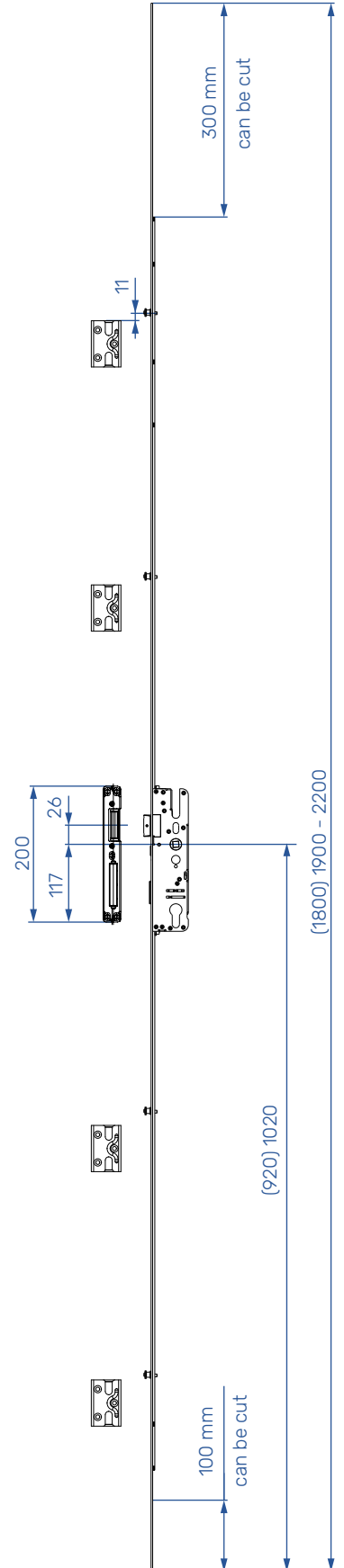
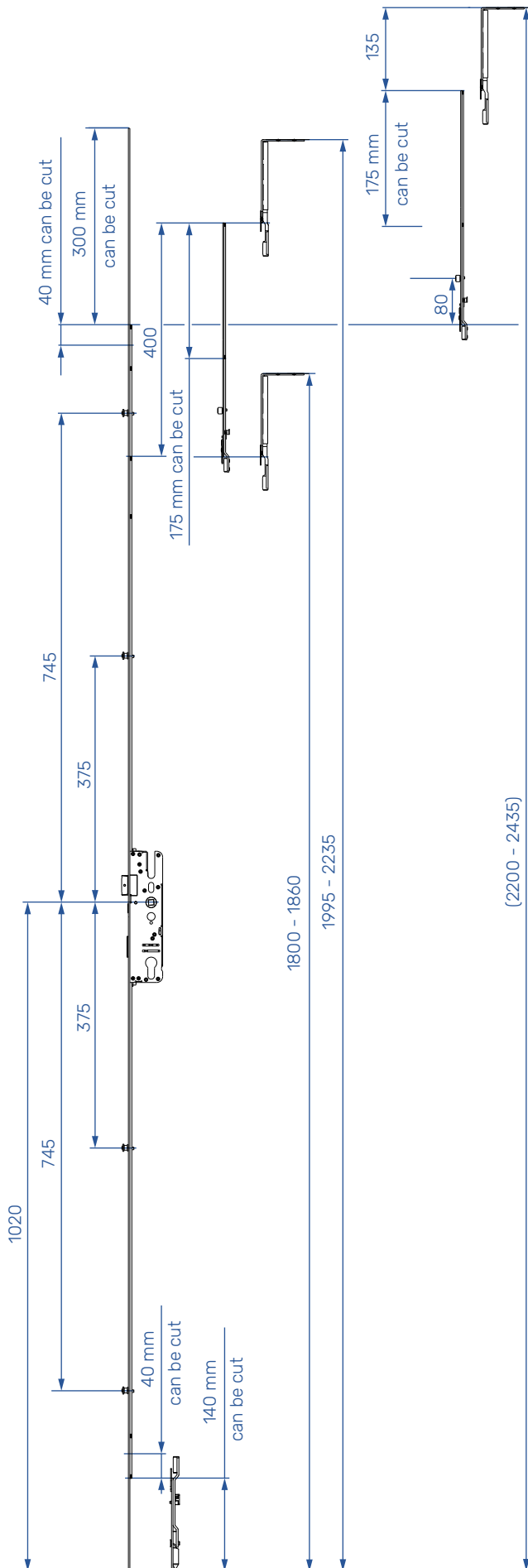
STRIKER [PAGE 129](#)
 SECURITY STRIKER [PAGE 129](#)

7 PACKERS

CENTER LATCH KEEP PACKER [PAGE 128](#)
 HOOK KEEP PACKERS [PAGE 128](#)
 SHOOTBOLT KEEP PACKERS [PAGE 130](#)



¹⁾ WITHOUT PACKERS - SEE [7](#)



HL - ROLLING SECURITY CAMS | PVC

4 rolling security cams | 2500 mm | Extendable

1 HL DOOR LOCK 4RS

BS	HD	SPIN	FP	HH	PACK	MATERIAL
28	92	8	2 x 16	1020	260	1108318
35	92	8	2 x 16	1020	260	1108319
40	92	8	2 x 16	1020	260	1108320
45	92	8	2 x 16	1020	220	1108321
50	92	8	2 x 16	1020	220	1108322
55	92	8	2 x 16	1020	200	1108323
65	92	8	2 x 16	1020	180	1108324

2 CENTER LATCH KEEP ¹⁾

FP	POS	PACK	MATERIAL
U27 x 7,5	L	50	1098433
U27 x 7,5	R	50	1098432

3 EXTENSION 1R

FP	LENGTH	PACK	MATERIAL
2 x 16	400	10	1102897

4 SHOOTBOLTS

FP	LENGTH	RA	POS	PACK	MATERIAL
2 x 16	140	N/A	UP	100	1102206
2 x 16	135	YES	DOWN	100	1102205

5 KEEPS ¹⁾

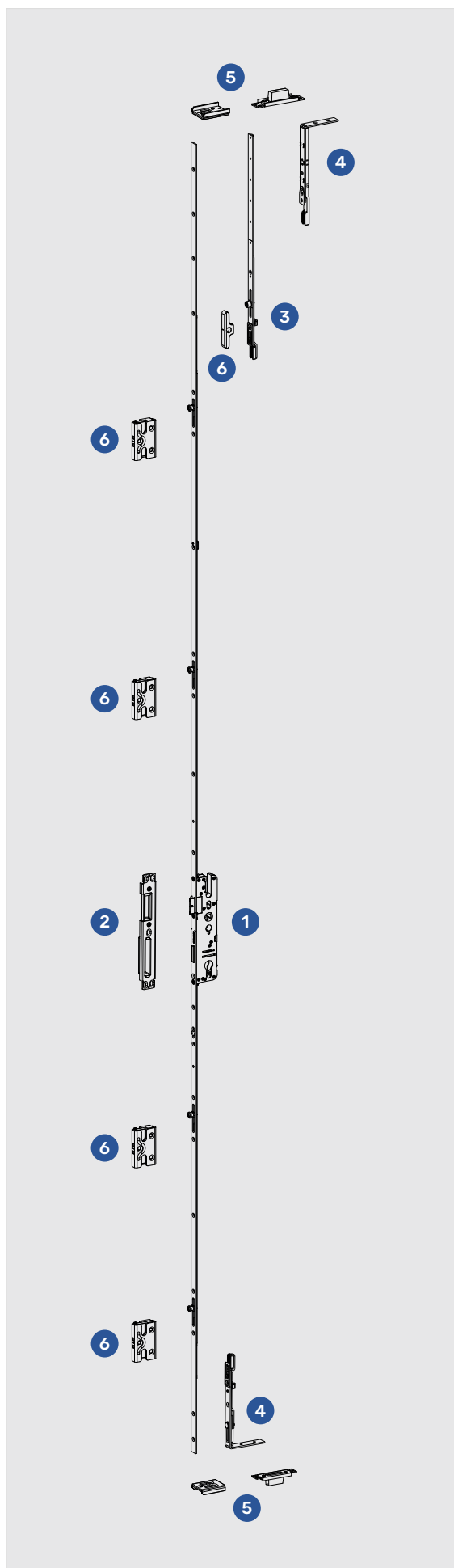
FP	PACK	MATERIAL
U35 x 7,5	100	1102281
U27 x 7,5	100	1098434

6 STRIKERS

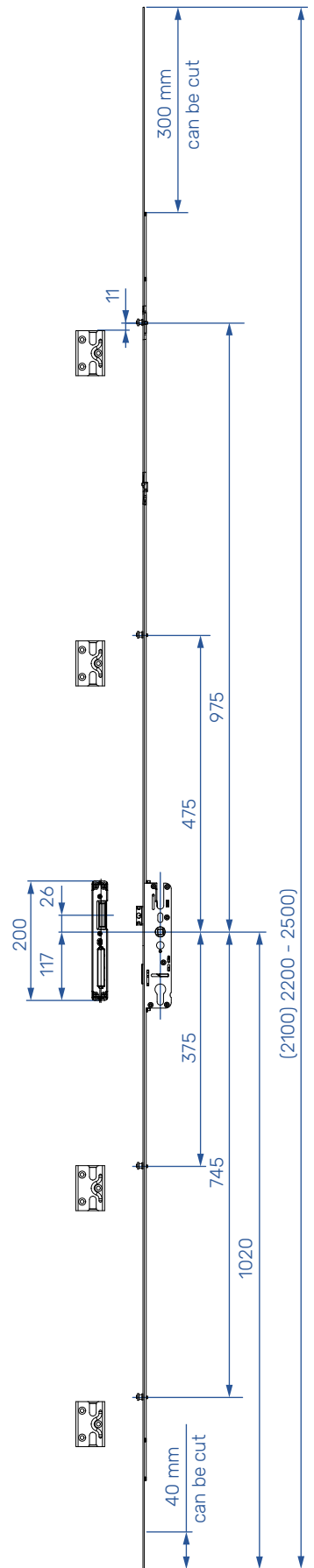
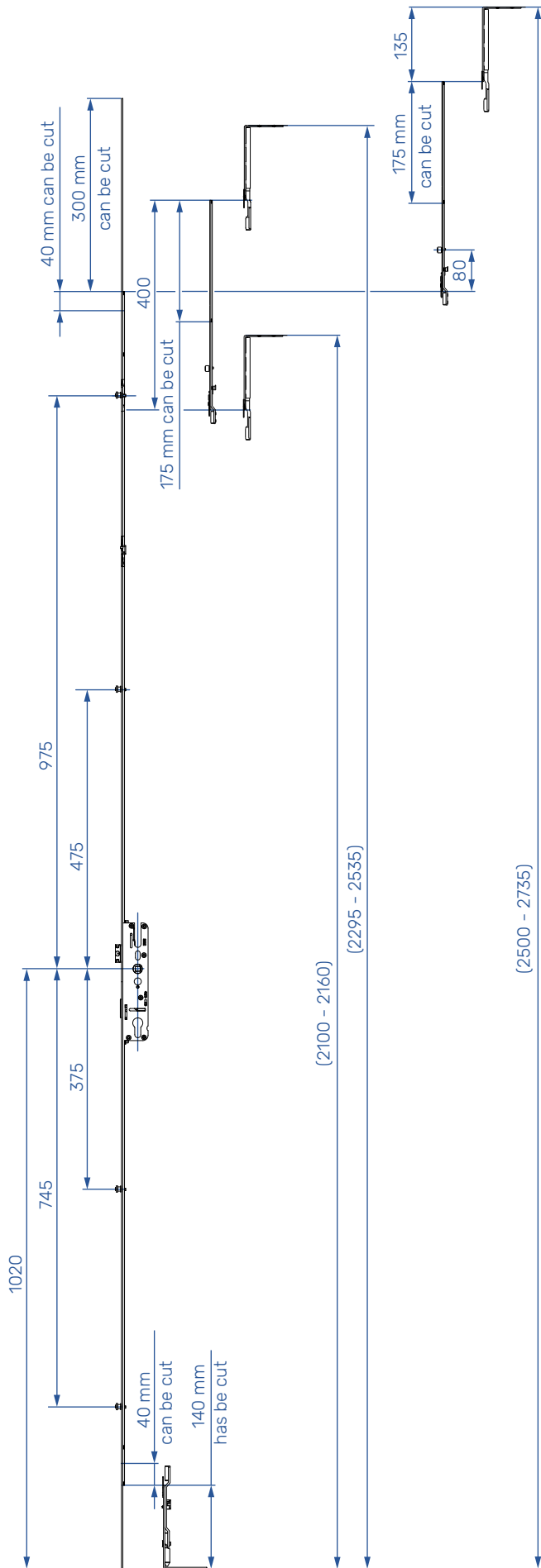
STRIKER [PAGE 129](#)
SECURITY STRIKER [PAGE 129](#)

7 PACKERS

CENTER LATCH KEEP PACKER [PAGE 128](#)
HOOK KEEP PACKERS [PAGE 128](#)
SHOOTBOLT KEEP PACKERS [PAGE 130](#)



¹⁾ WITHOUT PACKERS - SEE **7**



HL - ROLLING SECURITY CAMS | PVC | FRENCH DOOR

4 rolling security cams | 2200 mm | Extendable

1 HL DOOR LOCK 4RS

BS	HD	SPIN	FP	HH	PACK	MATERIAL
28	92	8	2 x 16	1020	260	1098451
35	92	8	2 x 16	1020	260	1098452
40	92	8	2 x 16	1020	260	1098453
45	92	8	2 x 16	1020	220	1098454
50	92	8	2 x 16	1020	220	1098455
55	92	8	2 x 16	1020	200	1098456
65	92	8	2 x 16	1020	180	1098457

2 EXTENSION 400 1R

FP	PACK	MATERIAL
2 x 16	10	1102897

3 CENTER LATCH KEEP ¹⁾

FP	POS	PACK	MATERIAL
U27 x 7,5	L	50	1098433
U27 x 7,5	R	50	1098432

4 HL/P FR. DOOR ESPAGNOLETTE

FP	LENGTH	PACK	MATERIAL
2 x 16	1800	10	1126509

5 SHOOTBOLT REVERSE ACTION

FP	LENGTH	PACK	MATERIAL
2 x 16	140	100	1135332

6 SHOOTBOLT WITH LEVER - OHG

FP	LENGTH	PACK	MATERIAL
2 x 16	150	100	1101899

7 SHOOTBOLT

FP	LENGTH	PACK	MATERIAL
2 x 16	140	100	1102206

8 SHOOTBOLT REVERSE ACTION

FP	LENGTH	PACK	MATERIAL
2 x 16	135	100	1102205

9 SHOOTBOLT KEEP - ALU THRESHOLD

FP	LENGTH	PACK	MATERIAL
U24 x 7,6	140	100	1119694

10 HOOK KEEP ¹⁾

FP	PACK	MATERIAL
U27 x 7,5	100	1098434

11 STRIKER

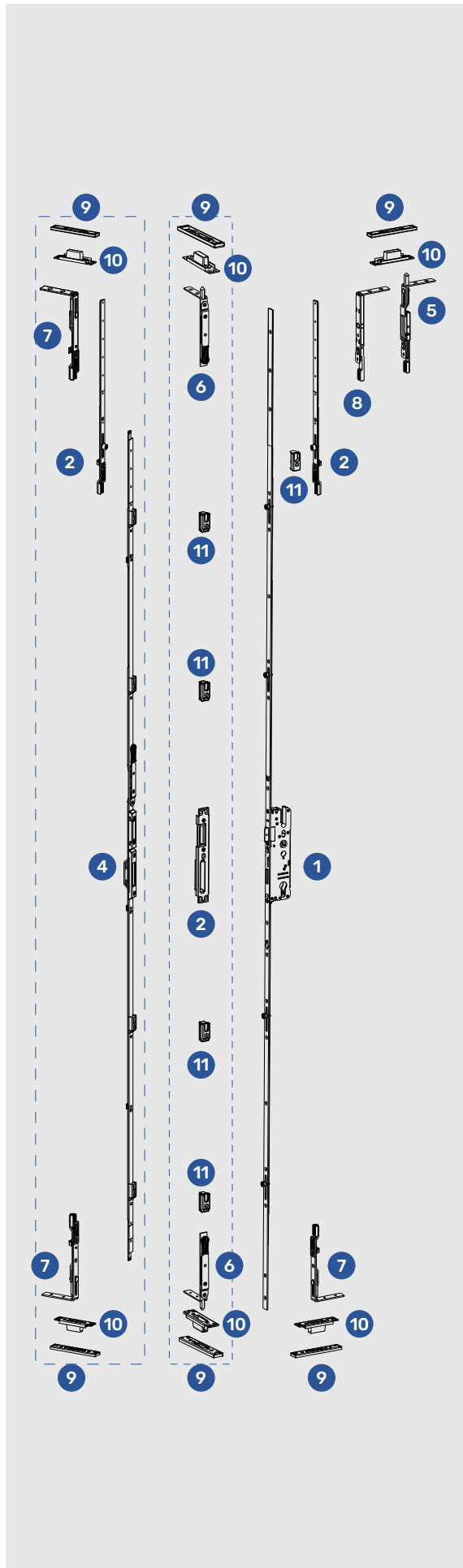
STRIKER OHG 1066042

12 PACKER

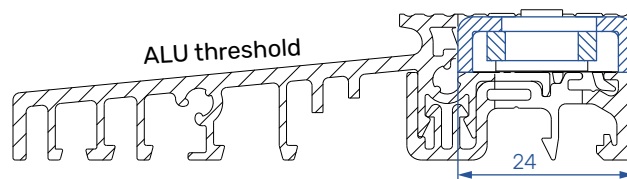
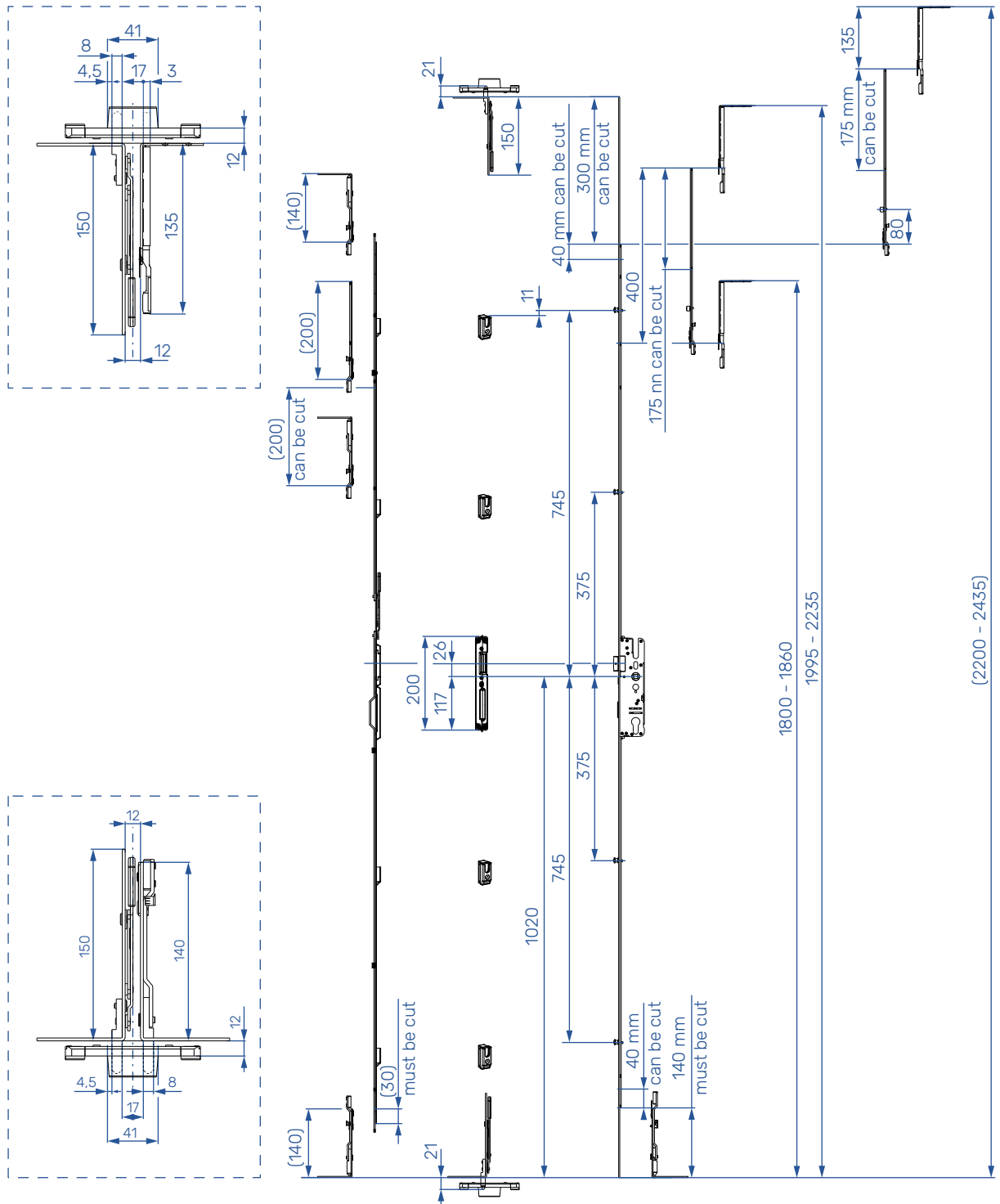
CENTER LATCH KEEP PACKER
HOOK KEEP PACKER

PAGE 128

PAGE 128



¹⁾ WITHOUT PACKERS - SEE **12**



9

SHOOTBOLT KEEP FOR ALU THRESHOLD

HL - ROLLING CAMS AND HOOKS | PVC

4 rolling cams and 2 hooks | 2200 mm

1 HL DOOR LOCK 4R 2H

BS	HD	SPIN	FP	HH	PACK	MATERIAL
28	92	8	2 x 16	1020	260	1099768
35	92	8	2 x 16	1020	260	1099769
40	92	8	2 x 16	1020	260	1099770
45	92	8	2 x 16	1020	220	1099851
50	92	8	2 x 16	1020	220	1099852
55	92	8	2 x 16	1020	200	1099853
65	92	8	2 x 16	1020	180	1099854

2 CENTER LATCH KEEP ¹⁾

FP	POS	PACK	MATERIAL
U27 x 7,5	L	50	1098433
U27 x 7,5	R	50	1098432

3 HOOK KEEP ¹⁾

FP	PACK	MATERIAL
U27 x 7,5	100	1098434

4 STRIKERS

STRIKER

PAGE 129

5 ONE PIECE STRIKER ¹⁾

FP	POS	PACK	MATERIAL
U35 x 7,5	L	10	1104668
U35 x 7,5	R	10	1104669

6 PACKERS

CENTER LATCH KEEP PACKERS

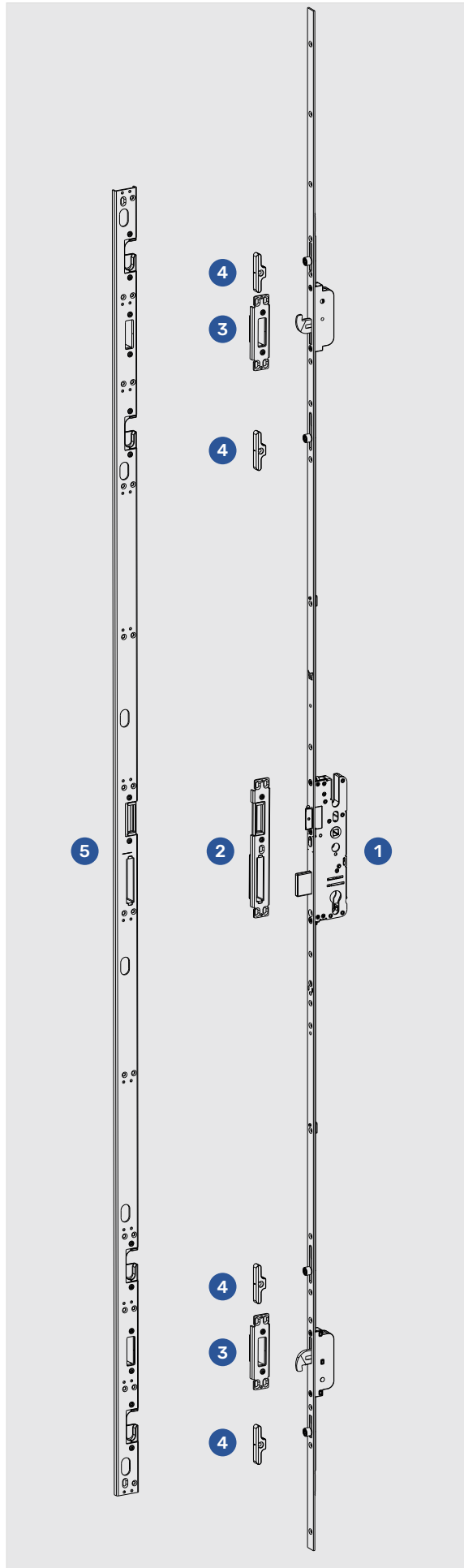
PAGE 128

HOOK KEEP PACKERS

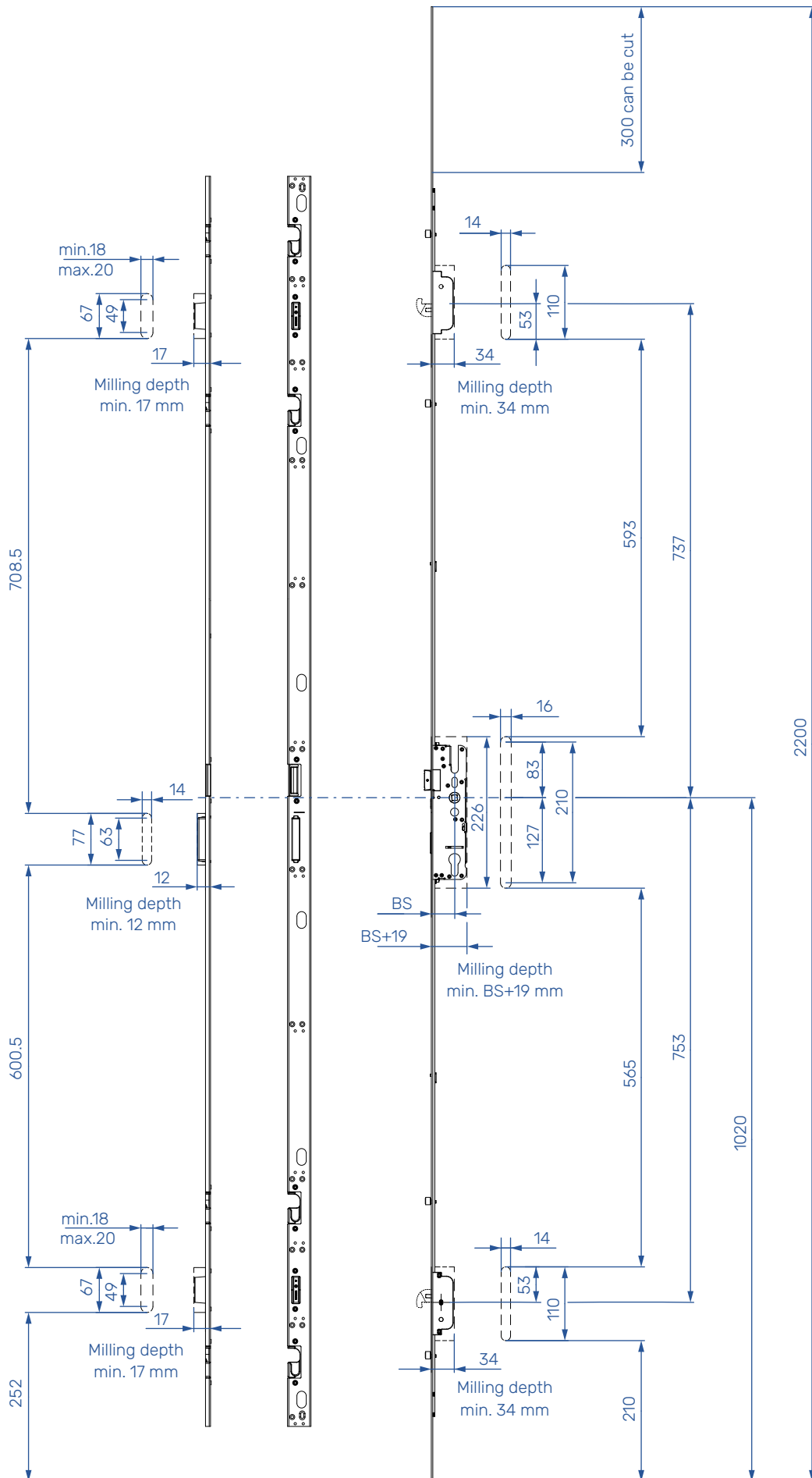
PAGE 128

ONE PIECE STRIKER HL PACKERS

PAGE 130



¹⁾ WITHOUT PACKERS - SEE **6**



HL - ROLLING CAMS AND HOOKS | PVC | FRENCH DOOR

4 rolling cams and 2 hooks | 2075 mm | Extendable

1 HL DOOR LOCK 4R 2H

BS	HD	SPIN	FP	HH	PACK	MATERIAL
35	92	8	2 x 16	1020	260	1134882

2 ONE PIECE STRIKER ¹⁾

FP	POS	PACK	MATERIAL
U35 x 7,5	L	10	1134883
U35 x 7,5	R	10	1134884

3 SHOOTBOLT REVERSE ACTION

FP	LENGTH	PACK	MATERIAL
2 x 16	140	100	1135332

4 SHOOTBOLT WITH LEVER - OHG

FP	LENGTH	PACK	MATERIAL
2 x 16	150	100	1101899

5 SHOOTBOLT

FP	LENGTH	PACK	MATERIAL
2 x 16	140	100	1102206

6 SHOOTBOLT REVERSE ACTION

FP	LENGTH	PACK	MATERIAL
2 x 16	135	100	1102205

7 SHOOTBOLT KEEP - ALU THRESHOLD

FP	LENGTH	PACK	MATERIAL
U24 x 7,6	140	100	1119694

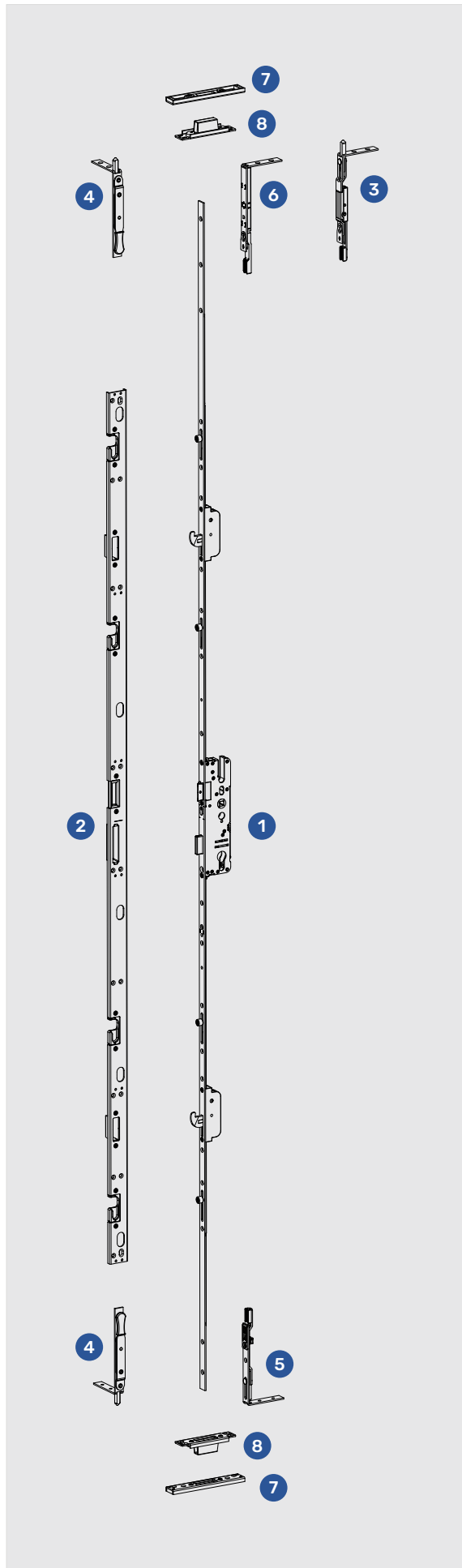
8 HOOK KEEP ¹⁾

FP	PACK	MATERIAL
U27 x 7,5	100	1098434

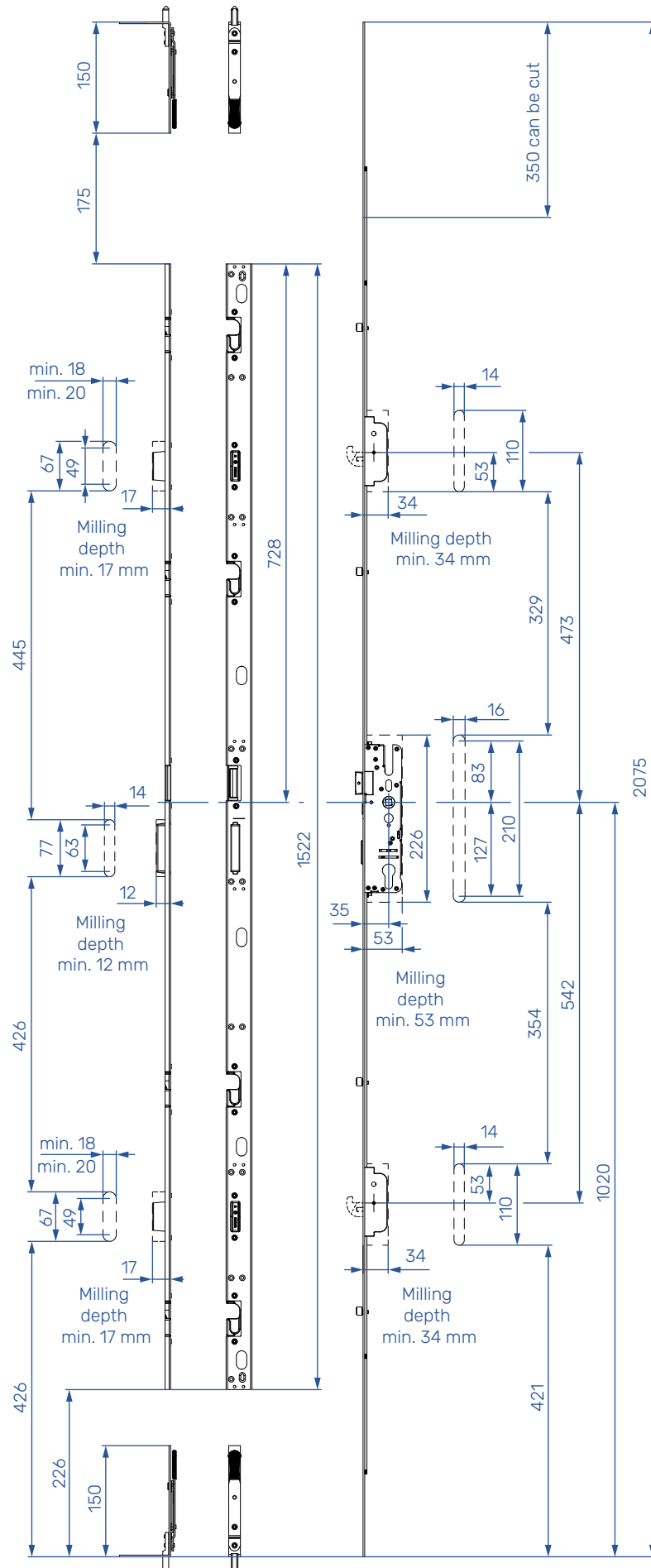
9 PACKER

ONE PIECE STRIKER HL PACKER
HOOK KEEP PACKER

PAGE 130
PAGE 128



¹⁾ WITHOUT PACKERS - SEE **9**



HL TPL - ROLLING SECURITY CAMS | PVC

400 mm | Extendable

1 HL TPL DOOR LOCK

BS	HD	SPIN	FP	HH	PACK	MATERIAL
28	92	8	2 x 16	1020	10	1105975
35	92	8	2 x 16	1020	10	1105976
45	92	8	2 x 16	1020	10	1105977

2 EXTENSION

FP	LENGTH	PACK	MATERIAL
2 x 16	745 1R	20	1105978
2 x 16	880 2R	20	1105979

3 CENTER LATCH KEEP ¹⁾

FP	POS	PACK	MATERIAL
U27 x 7,5	L	50	1098433
U27 x 7,5	R	50	1098432

4 STRIKERS

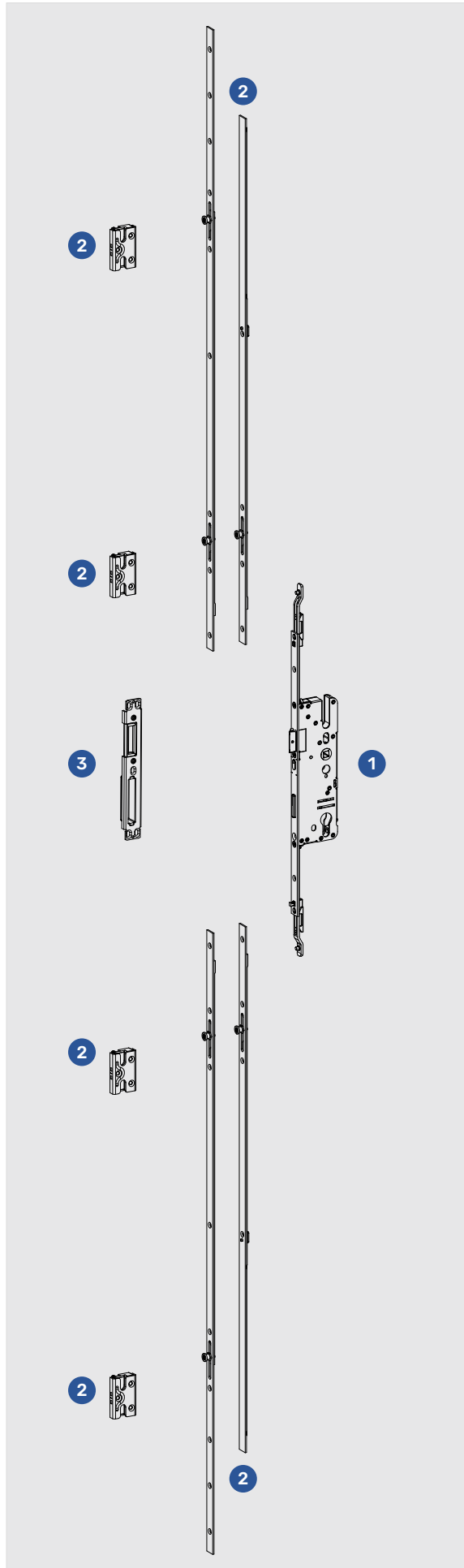
SECURITY STRIKER

[PAGE 129](#)

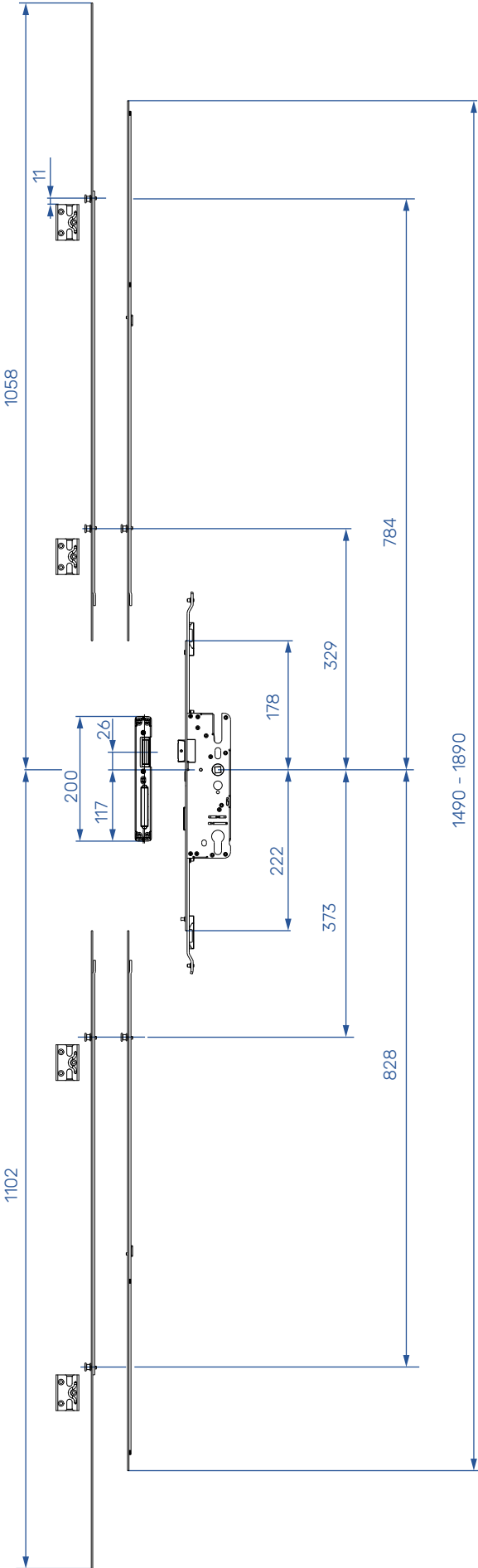
5 PACKER

CENTER LATCH KEEP PACKER

[PAGE 128](#)



¹⁾ WITHOUT PACKERS - SEE **5**



HL/P | PVC | FRENCH DOOR

1230 mm | Two part lock | Extendable

1 HL DOOR LOCK 2200 mm 4R

BS	HD	SPIN	FP	HH	PACK	MATERIAL
35	92	8	2 x 16	1020	260	1098445
40	92	8	2 x 16	1020	260	1098446
45	92	8	2 x 16	1020	220	1098447
50	92	8	2 x 16	1020	220	1098448
55	92	8	2 x 16	1020	200	1098449
65	92	8	2 x 16	1020	180	1098450

2 CENTER LATCH KEEP ¹⁾

FP	POS	PACK	MATERIAL
U27 x 7,5	L	50	1098433
U27 x 7,5	R	50	1098432

3 HL/P DOOR LOCK 1230 mm RA

BS	HD	SPIN	FP	HH	PACK	MATERIAL
35	92	8	2 x 16	1050	10	1116056
55	92	8	2 x 16	1050	10	1117274

4 EXTENSION

FP	LENGTH	PACK	MATERIAL
2 x 16	540	10	1116156
2 x 16	755	10	1116057

5 CORNER DRIVE 1RS

FP	LENGTH	PACK	MATERIAL
2 x 16	140	10	1100983

6 SHOOTBOLT

FP	LENGTH	PACK	MATERIAL
2 x 16	140	100	1102206

7 HOOK KEEP ¹⁾

FP	PACK	MATERIAL
U27 x 7,5	100	1098434

8 STRIKERS

STRIKER

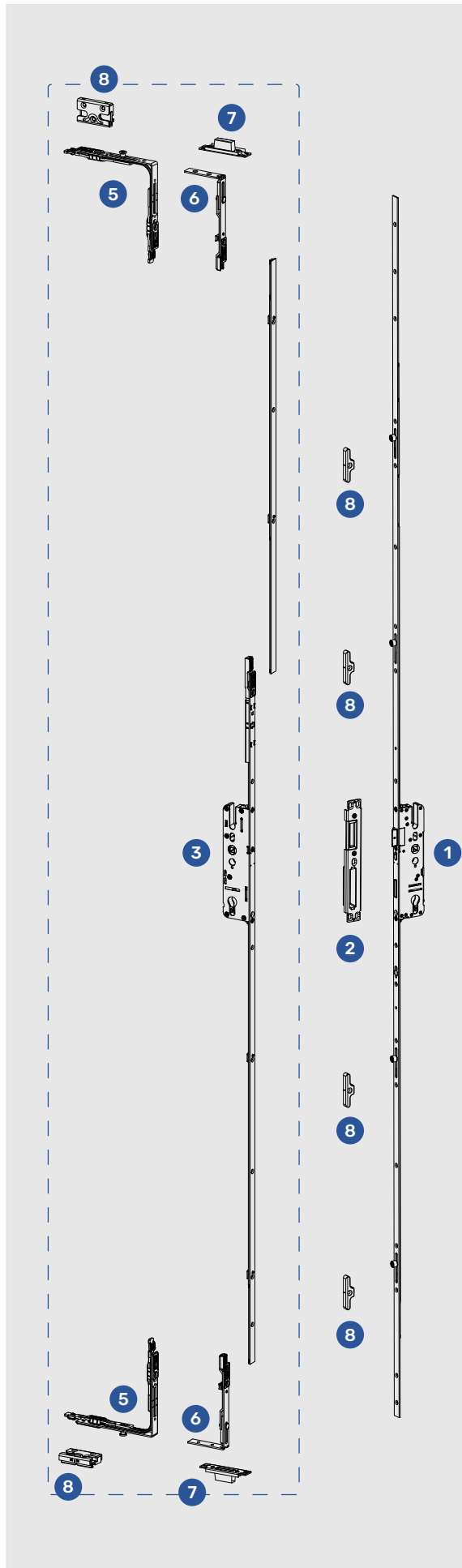
PAGE 129

9 PACKER

CENTER LATCH KEEP PACKER
HOOK KEEP PACKER

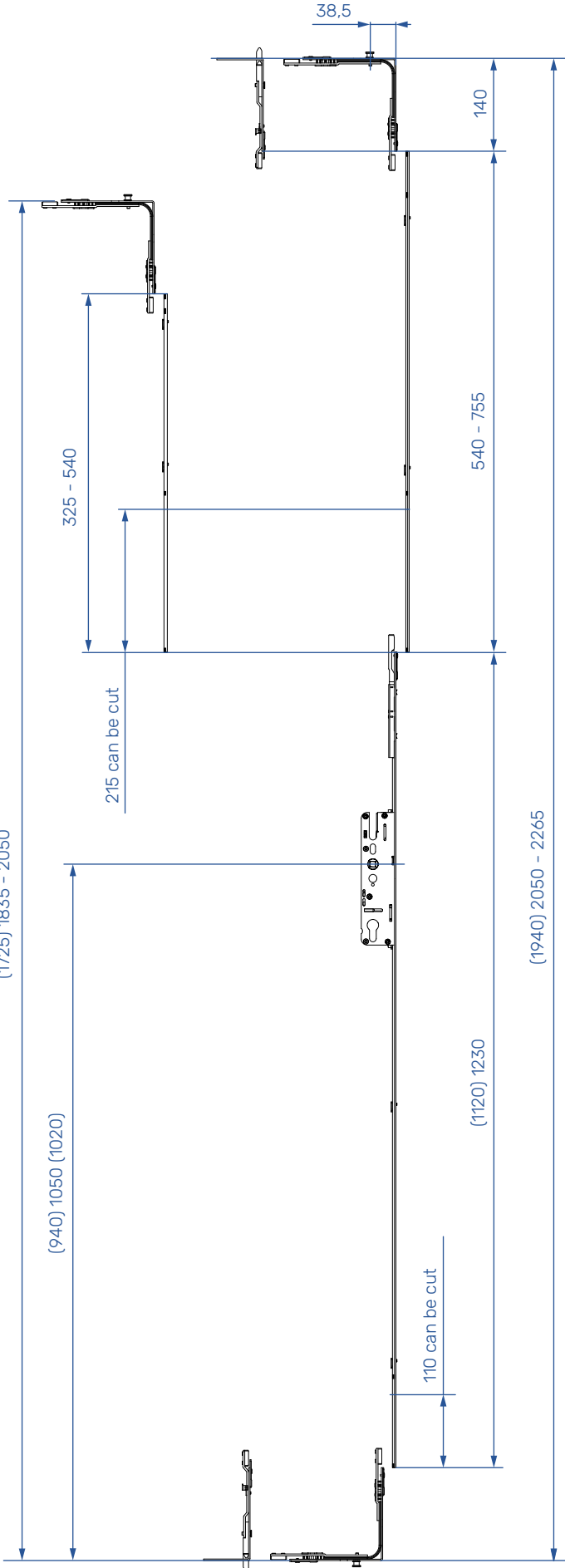
PAGE 128

PAGE 128



¹⁾ WITHOUT PACKERS - SEE





HL/P | PVC | FRENCH DOOR

1875 mm | Single part lock | Extendable

1 HL DOOR LOCK 2200 mm 4R

BS	HD	SPIN	FP	HH	PACK	MATERIAL
35	92	8	2 x 16	1020	260	1098445
40	92	8	2 x 16	1020	260	1098446
45	92	8	2 x 16	1020	220	1098447
50	92	8	2 x 16	1020	220	1098448
55	92	8	2 x 16	1020	200	1098449
65	92	8	2 x 16	1020	180	1098450

2 CENTER LATCH KEEP ¹⁾

FP	POS	PACK	MATERIAL
U27 x 7,5	L	50	1098433
U27 x 7,5	R	50	1098432

3 HL/P DOOR LOCK 1875 mm

BS	HD	SPIN	FP	HH	PACK	MATERIAL
35	92	8	2 x 16	1050	5	1124067
45	92	8	2 x 16	1050	5	1141652

4 SHOOTBOLT REVERSE ACTION

FP	LENGTH	PACK	MATERIAL
2 x 16	135	100	1102205

5 SHOOTBOLT REVERSE ACTION

FP	LENGTH	PACK	MATERIAL
2 x 16	140	100	1135332

6 SHOOTBOLT

FP	LENGTH	PACK	MATERIAL
2 x 16	140	100	1102206

7 HOOK KEEP ¹⁾

FP	PACK	MATERIAL
U27 x 7,5	100	1098434

8 STRIKERS

STRIKER

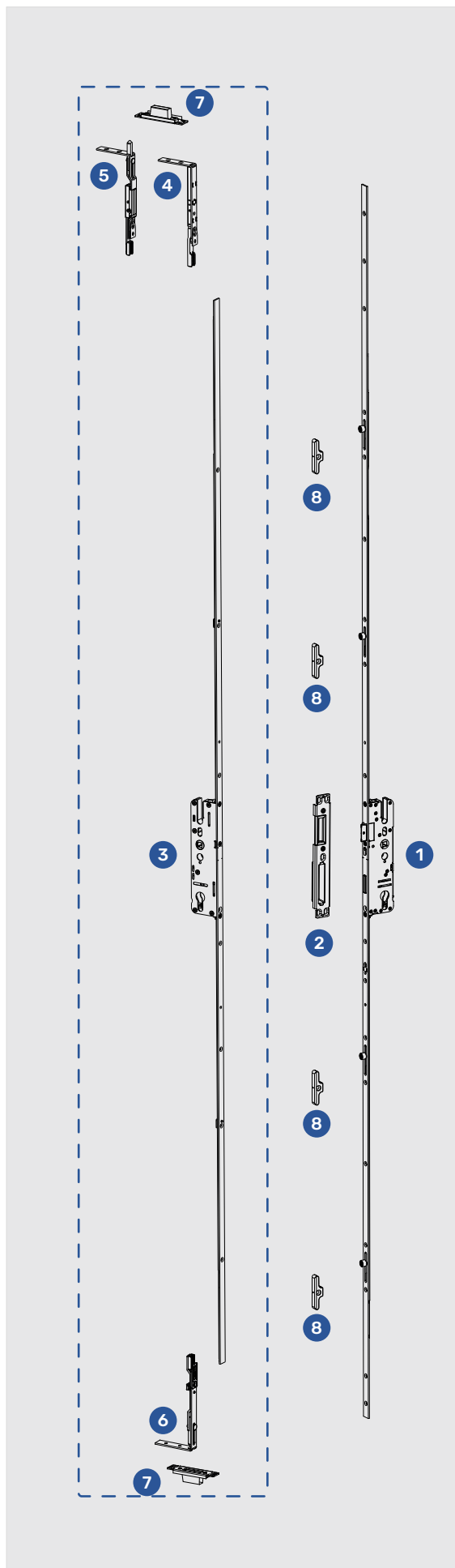
PAGE 129

9 PACKER

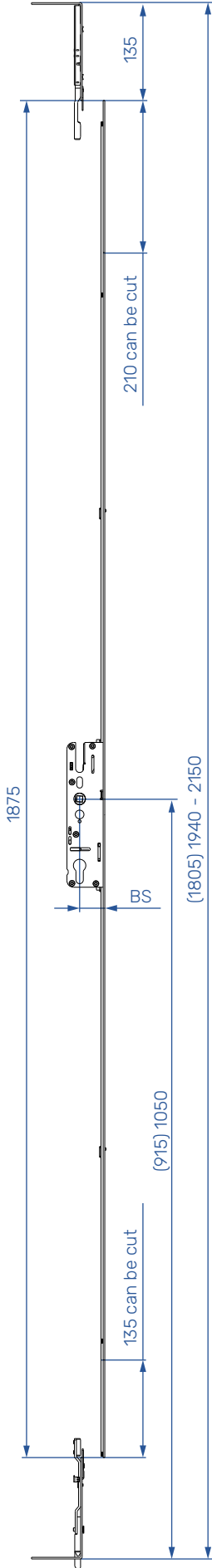
CENTER LATCH KEEP PACKER
HOOK KEEP PACKER

PAGE 128

PAGE 128



¹⁾ WITHOUT PACKERS - SEE 9



HL - EXCENTRIC CAMS AND HOOKS | ALU GROOVE

4 excentric cams and 2 hooks | 2200 mm | Extendable

1 HL DOOR LOCK ALU 4A 2H

BS	HD	SPIN	FP	HH	PACK	MATERIAL
35	92	8	2 x 20	1020	5	1107821

2 CENTER LATCH KEEP ALU (9 axis)

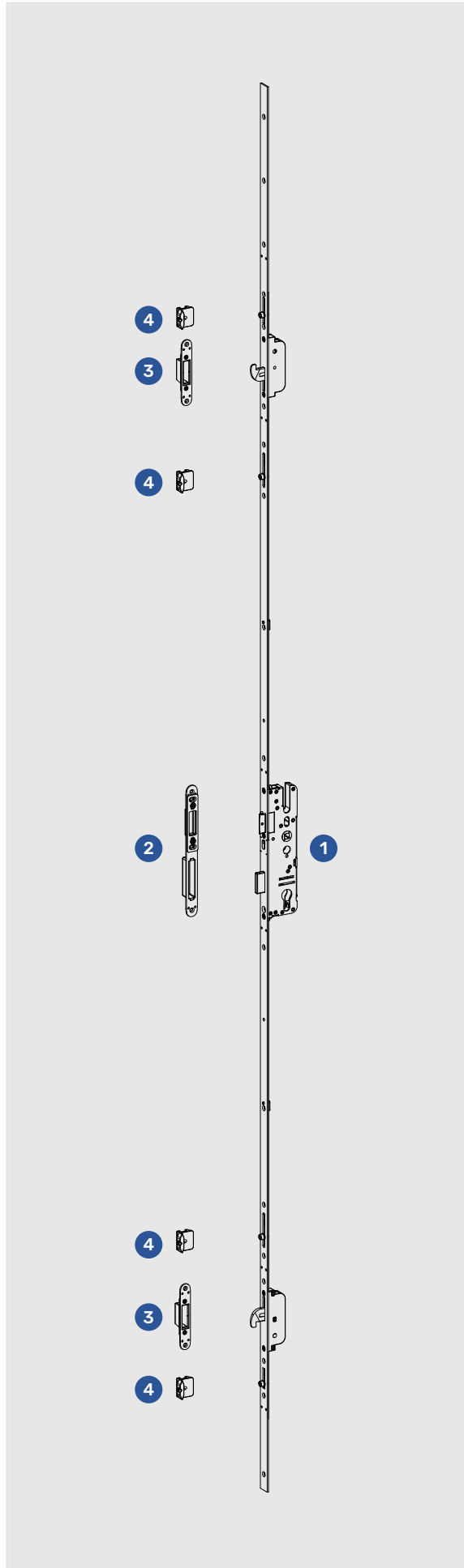
FP	PACK	MATERIAL
2 x 22	50	1114132

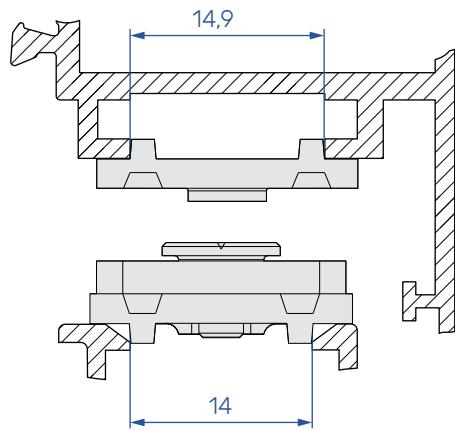
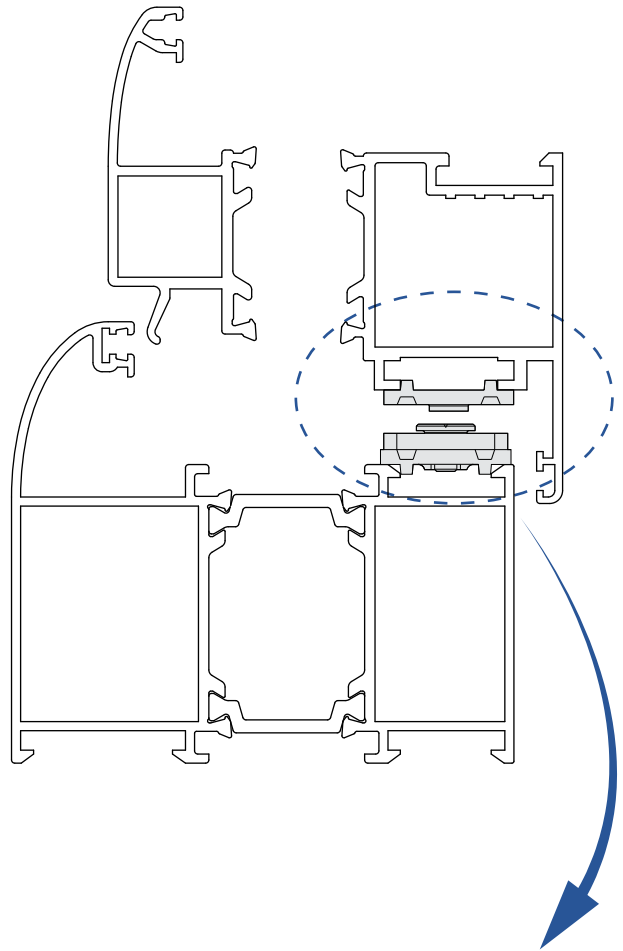
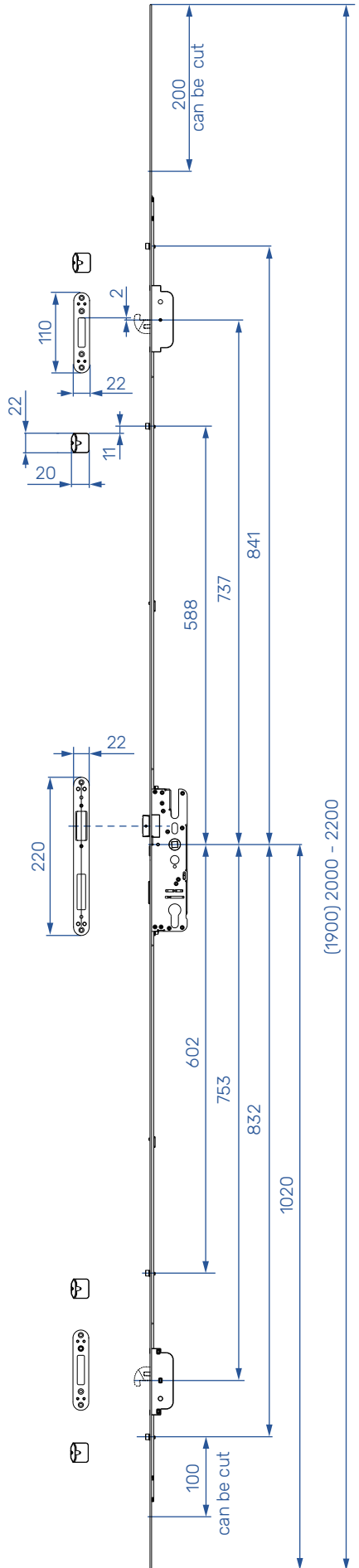
3 HOOK KEEP ALU (9 axis)

FP	PACK	MATERIAL
2 x 22	100	1114133

4 STRIKERS ALU (9 axis)

LOW STRIKER 1107832





CLA - ROLLING CAMS AND HOOKS | PVC

4 rolling cams and 2 hooks | 2200 mm | Extendable

1 CLA DOOR LOCK 4R 2H

BS	HD	SPIN	FP	HH	PACK	MATERIAL
35	92	8	2 x 16	1020	5	1110615
45	92	8	2 x 16	1020	5	1110616
35	92	8	2 x 20	1020	5	1121119

2 ONE PIECE STRIKER CLA ¹⁾

FP	POS	PACK	MATERIAL
U35 x 7,5	L	50	1110628
U35 x 7,5	R	50	1110627

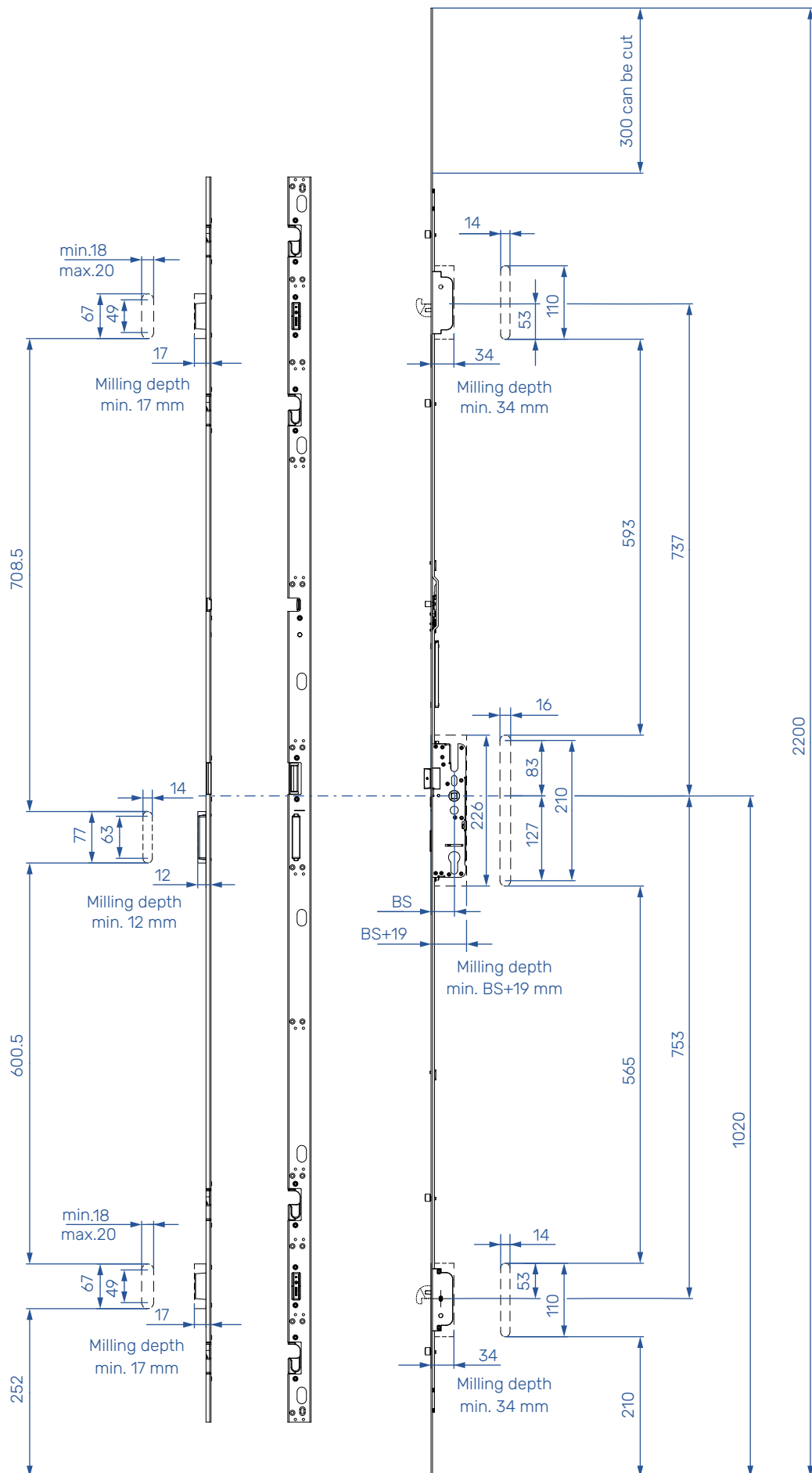
3 PACKERS

ONE PIECE STRIKER CLA PACKER

[PAGE 130](#)



¹⁾ WITHOUT PACKERS - SEE [3](#)



CLC - AUTOMATIC HOOKS | PVC

2 automatic hooks | 2000 mm

1 CLC DOOR LOCK 2AH

BS	HD	SPIN	FP	HH	PACK	MATERIAL
35	92	8	2 x 16	1020	5	1136777
40	92	8	2 x 16	1020	5	1142754
45	92	8	2 x 16	1020	5	1136778
50	92	8	2 x 16	1020	5	1142755
35	92	8	2 x 20	1020	5	1136780
40	92	8	2 x 20	1020	5	1142756
45	92	8	2 x 20	1020	5	1136782
50	92	8	2 x 20	1020	5	1142757

2 CENTER LATCH KEEP ¹⁾

FP	POS	PACK	MATERIAL
U35 x 7,5	L	50	1132341
U35 x 7,5	R	50	1132342

3 SELF ADJUSTABLE HOOK KEEP AH ¹⁾

FP	PACK	MATERIAL
U35 x 7,5	100	1132652

4 PACKERS

CENTER LATCH KEEP PACKER

PAGE 130

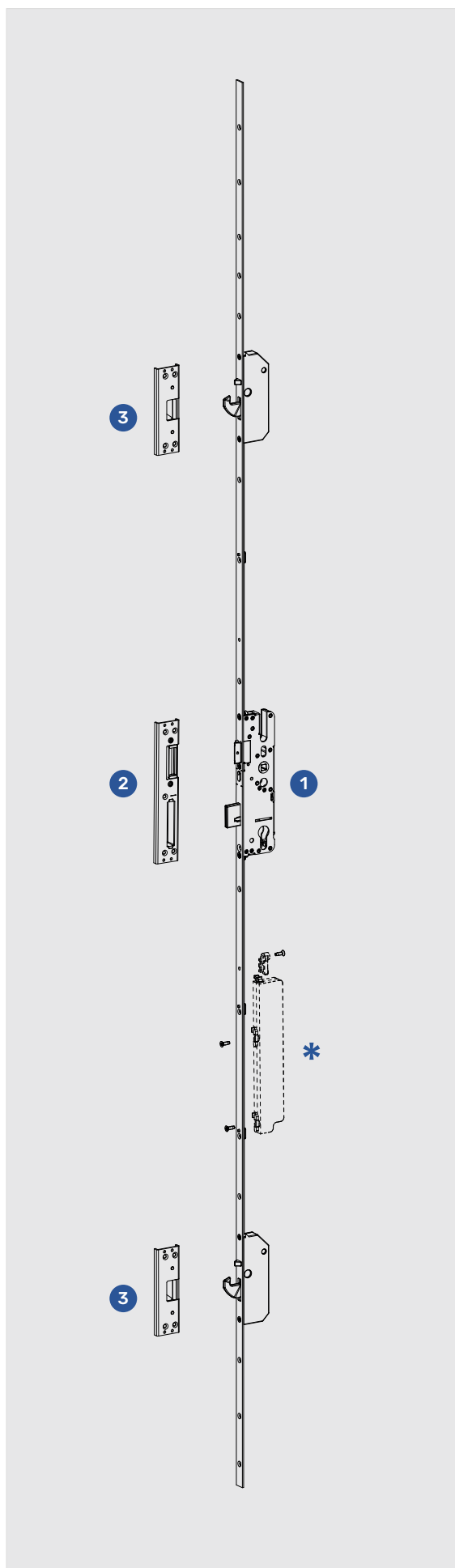
SELF ADJUSTABLE HOOK KEEP PACKER

PAGE 130

5 ARX SMART

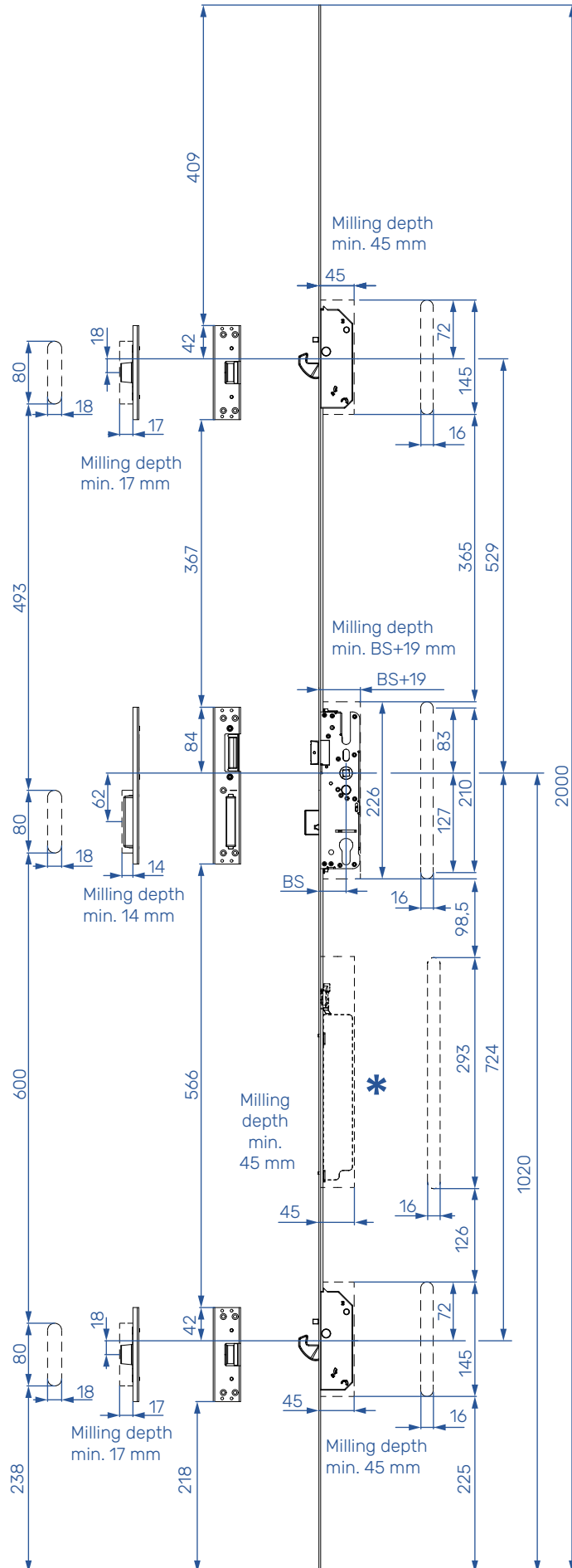
SMART ACCESSORIES

PAGE 118



¹⁾ WITHOUT PACKERS - SEE 4

* SMART CLC DOOR LOCK - SEE 5



CLC - AUTOMATIC HOOKS | PVC

2 automatic hooks | 2200 mm

1 CLC DOOR LOCK 2AH

BS	HD	SPIN	FP	HH	PACK	MATERIAL
35	92	8	2 x 16	1020	5	1135190
40	92	8	2 x 16	1020	5	1142758
45	92	8	2 x 16	1020	5	1136786
50	92	8	2 x 16	1020	5	1142759
55	92	8	2 x 16	1020	5	1136787
65	92	8	2 X 16	1020	5	1136788
<hr/>						
35	92	8	2 x 20	1020	5	1136789
40	92	8	2 x 20	1020	5	1142760
45	92	8	2 x 20	1020	5	1136791
50	92	8	2 x 20	1020	5	1142761
55	92	8	2 x 20	1020	5	1136794
65	92	8	2 x 20	1020	5	1136795

2 ONE PIECE STRIKER ¹⁾

FP	POS	PACK	MATERIAL
U35 x 7,5	L	10	1136735
U35 x 7,5	R	10	1136736

3 ONE PIECE STRIKER EXTENSION ¹⁾

FP	LENGTH	PACK	MATERIAL
U35 x 7,5	228	100	1127059
U35 x 7,5	404	100	1127058

4 PACKERS

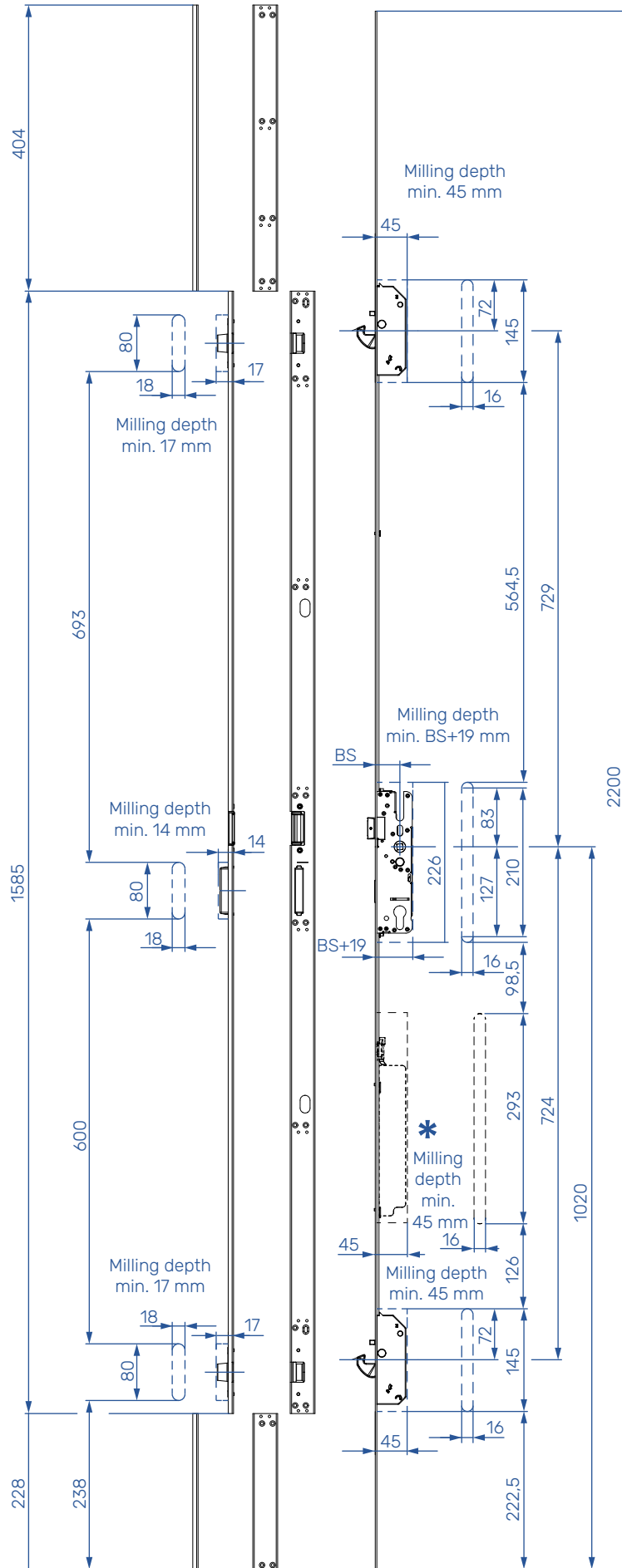
ONE PIECE STRIKER PACKER [PAGE 130](#)
 ONE PIECE STRIKER EXTENSION PACKER [PAGE 130](#)

5 ARX SMART

SMART ACCESSORIES [PAGE 118](#)



¹⁾ WITHOUT PACKERS - SEE [4](#)
 * SMART CLC DOOR LOCK - SEE [5](#)



CLC - AUTOMATIC HOOKS | PVC

2 automatic hooks | 2200 mm | with DRF

1 CLC DOOR LOCK DRF 2AH

BS	HD	SPIN	FP	HH	PACK	MATERIAL
35	92	8	2 x 16	1020	5	1136796
40	92	8	2 x 16	1020	5	1142762
45	92	8	2 x 16	1020	5	1136797
50	92	8	2 x 16	1020	5	1142763
55	92	8	2 x 16	1020	5	1136798
65	92	8	2 X 16	1020	5	1136799
35	92	8	2 x 20	1020	5	1136800
40	92	8	2 x 20	1020	5	1142764
45	92	8	2 x 20	1020	5	1136801
50	92	8	2 x 20	1020	5	1142765
55	92	8	2 x 20	1020	5	1136802
65	92	8	2 x 20	1020	5	1136803

2 ONE PIECE STRIKER RF ¹⁾

FP	POS	PACK	MATERIAL
U35 x 7,5	L	10	1136737
U35 x 7,5	R	10	1136738

3 ONE PIECE STRIKER EXTENSION ¹⁾

FP	LENGTH	PACK	MATERIAL
U35 x 7,5	228	100	1127059
U35 x 7,5	404	100	1127058

4 PACKERS

ONE PIECE STRIKER PACKER [PAGE 130](#)
 ONE PIECE STRIKER EXTENSION PACKER [PAGE 130](#)

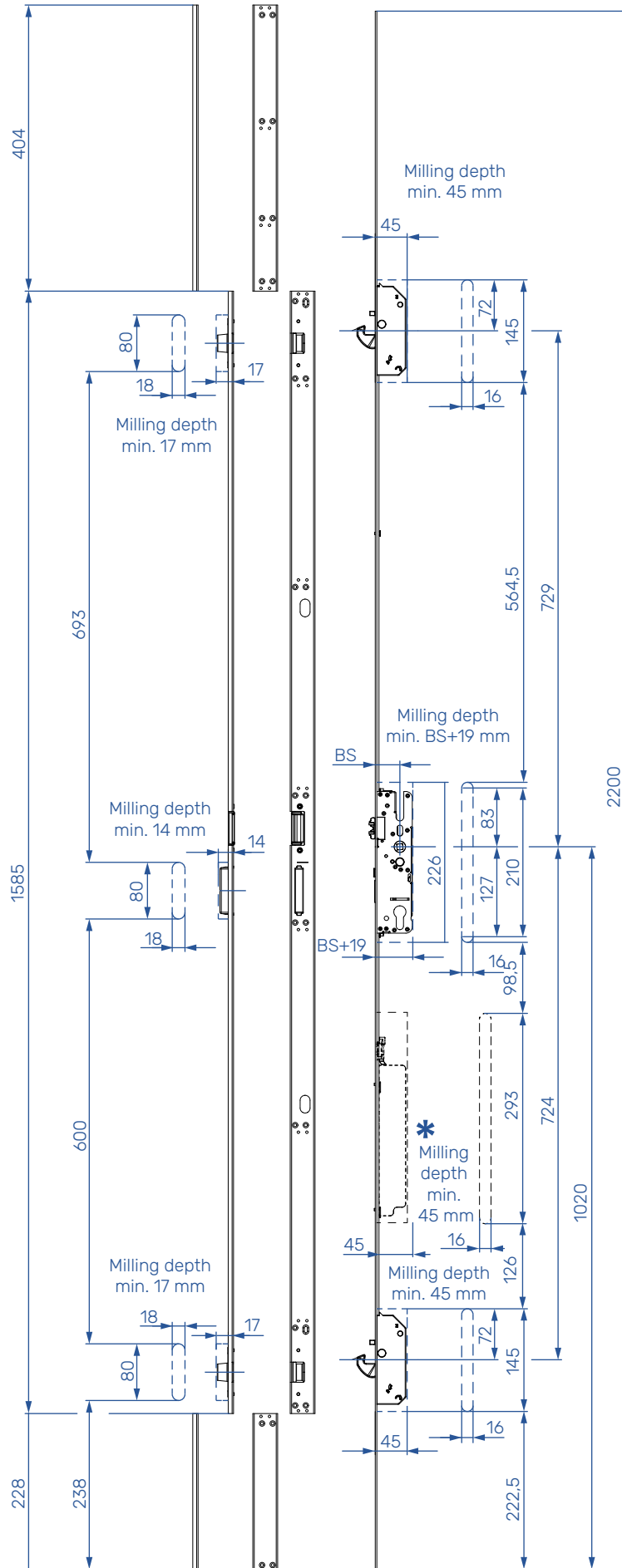
5 ARX SMART

SMART ACCESSORIES [PAGE 118](#)



¹⁾ WITHOUT PACKERS - SEE [4](#)

* SMART CLC DOOR LOCK - SEE [5](#)



CLC - AUTOMATIC HOOKS | PVC

2 automatic hooks | 2500 mm

1 CLC DOOR LOCK 2AH

BS	HD	SPIN	FP	HH	PACK	MATERIAL
35	92	8	2 x 16	1020	5	1136804
40	92	8	2 x 16	1020	5	1142766
45	92	8	2 x 16	1020	5	1136805
50	92	8	2 x 16	1020	5	1142767
35	92	8	2 x 20	1020	5	1136806
40	92	8	2 x 20	1020	5	1142768
45	92	8	2 x 20	1020	5	1136807
50	92	8	2 x 20	1020	5	1142769

2 CENTER LATCH KEEP ¹⁾

FP	POS	PACK	MATERIAL
U35 x 7,5	L	50	1132341
U35 x 7,5	R	50	1132342

3 SELF ADJUSTABLE HOOK KEEP AH ¹⁾

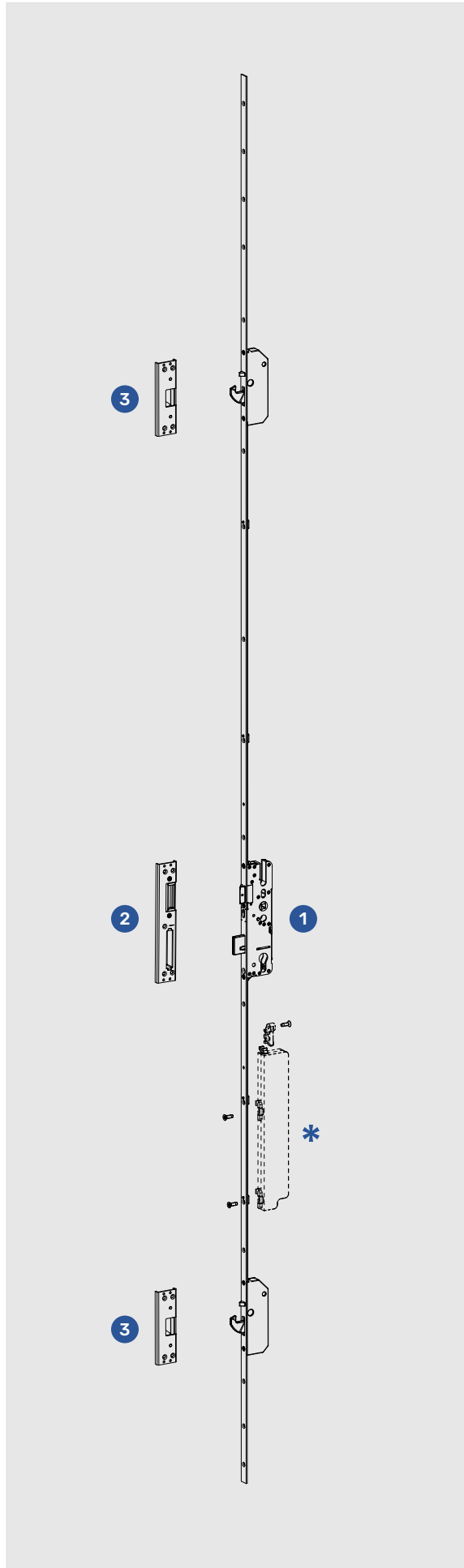
FP	PACK	MATERIAL
U35 x 7,5	100	1132652

4 PACKERS

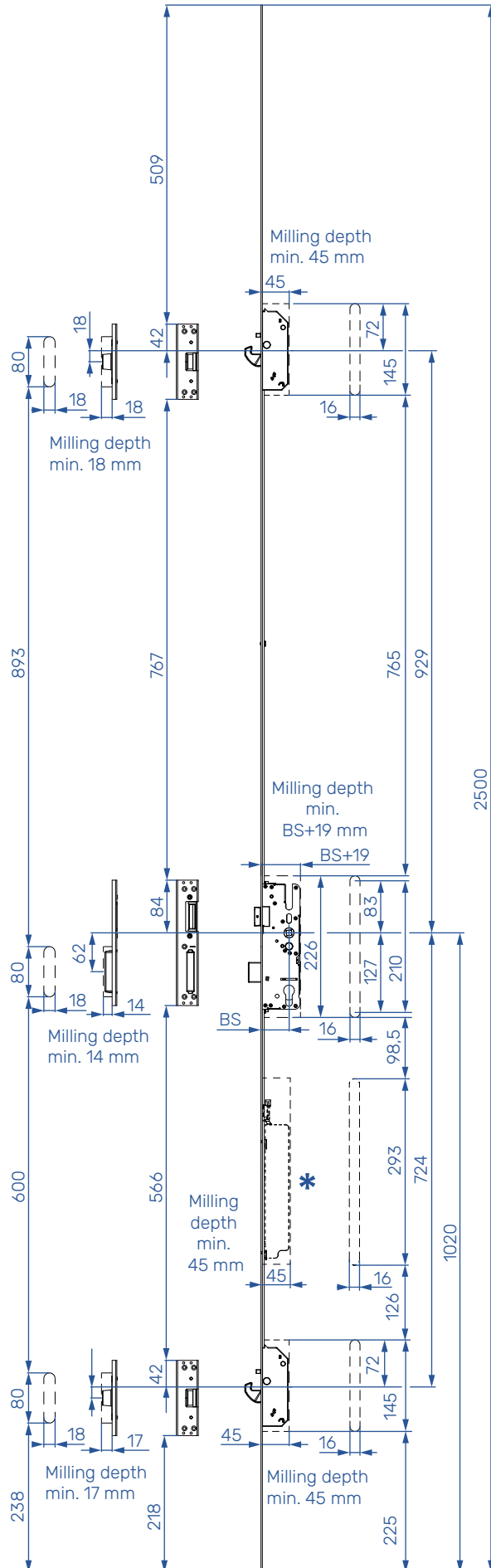
CENTER LATCH KEEP PACKER [PAGE 130](#)
 SELF ADJUSTABLE HOOK KEEP PACKER [PAGE 130](#)

5 ARX SMART

SMART ACCESSORIES [PAGE 118](#)



¹⁾ WITHOUT PACKERS - SEE [4](#)
 * SMART CLC DOOR LOCK - SEE [5](#)



CLC - LATCH BOLTS | PVC

2 latch bolts | 2000 mm

1 CLC DOOR LOCK 2LB

BS	HD	SPIN	FP	HH	PACK	MATERIAL
35	92	8	2 x 16	1020	5	1127315
45	92	8	2 x 16	1020	5	1127316
35	92	8	2 x 20	1020	5	1127317
45	92	8	2 x 20	1020	5	1127318

2 CENTER LATCH KEEP ¹⁾

FP	POS	PACK	MATERIAL
U35 x 7,5	L	50	1132341
U35 x 7,5	R	50	1132342

3 LATCH BOLT KEEP ¹⁾

FP	PACK	MATERIAL
U35 x 7,5	100	1126368

4 PACKERS

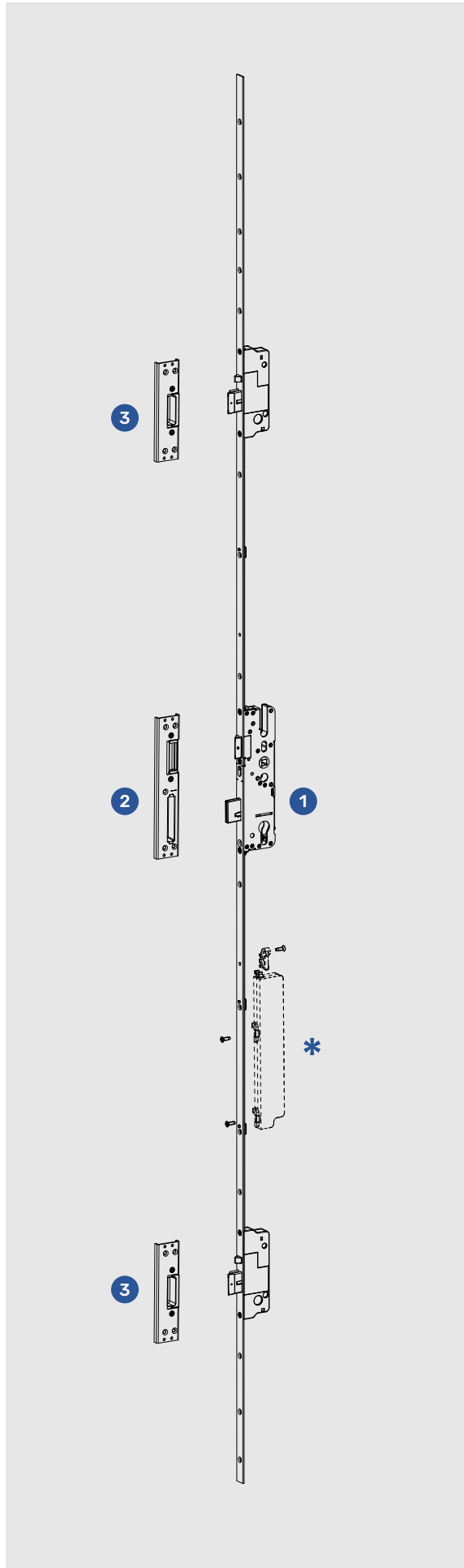
CENTER LATCH KEEP PACKER
LATCH BOLT KEEP PACKER

PAGE 130
PAGE 130

5 ARX SMART

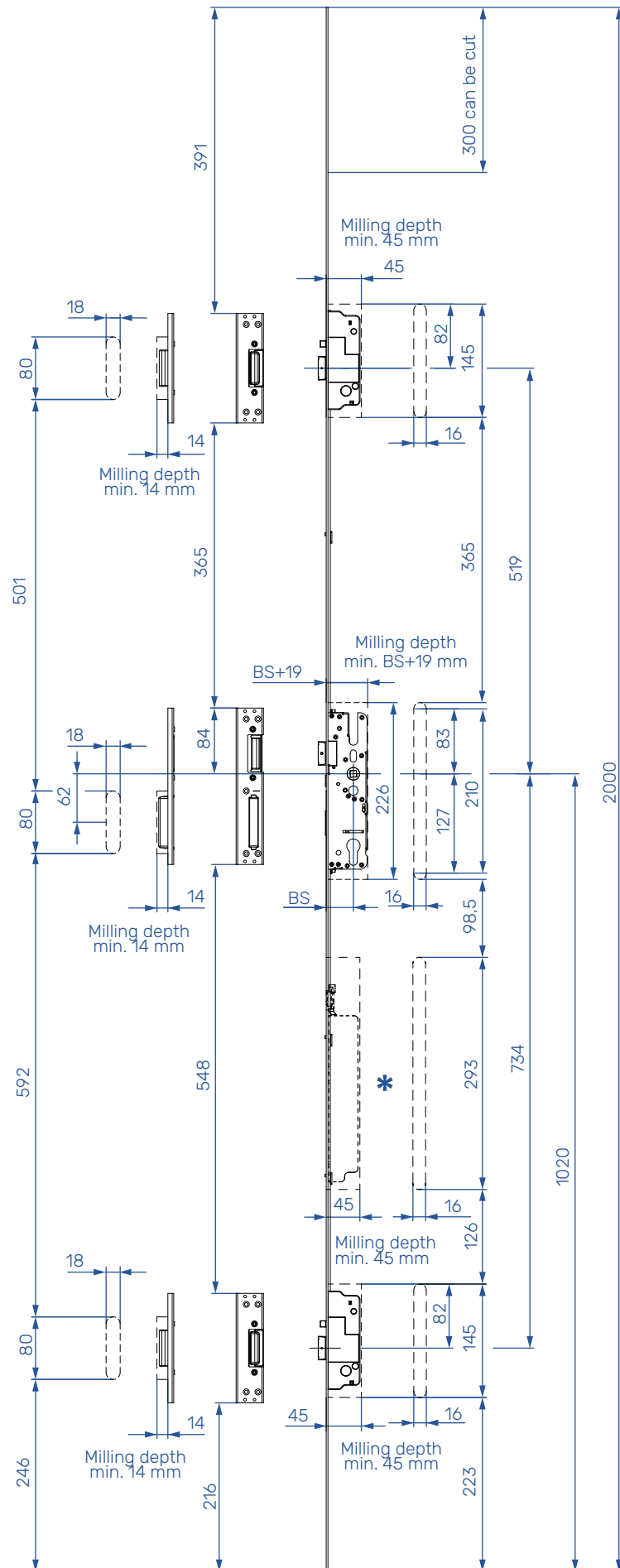
SMART ACCESSORIES

PAGE 118



¹⁾ WITHOUT PACKERS - SEE 4

* SMART CLC DOOR LOCK - SEE 5



CLC - LATCH BOLTS | PVC

2 latch bolts | 2200 mm

1 CLC DOOR LOCK 2LB

BS	HD	SPIN	FP	HH	PACK	MATERIAL
35	92	8	2 x 16	1020	5	1114597
40	92	8	2 x 16	1020	5	1139940
45	92	8	2 x 16	1020	5	1114598
50	92	8	2 x 16	1020	5	1139941
55	92	8	2 x 16	1020	5	1135373
35	92	8	2 x 20	1020	5	1120890
40	92	8	2 x 20	1020	5	1139944
45	92	8	2 x 20	1020	5	1120901
50	92	8	2 x 20	1020	5	1139945
55	92	8	2 x 20	1020	5	1134654
65	92	8	2 x 20	1020	5	1134655

2 ONE PIECE STRIKER ¹⁾

FP	POS	PACK	MATERIAL
U35 x 7,5	L	10	1114946
U35 x 7,5	R	10	1114947

3 ONE PIECE STRIKER EXTENSION ¹⁾

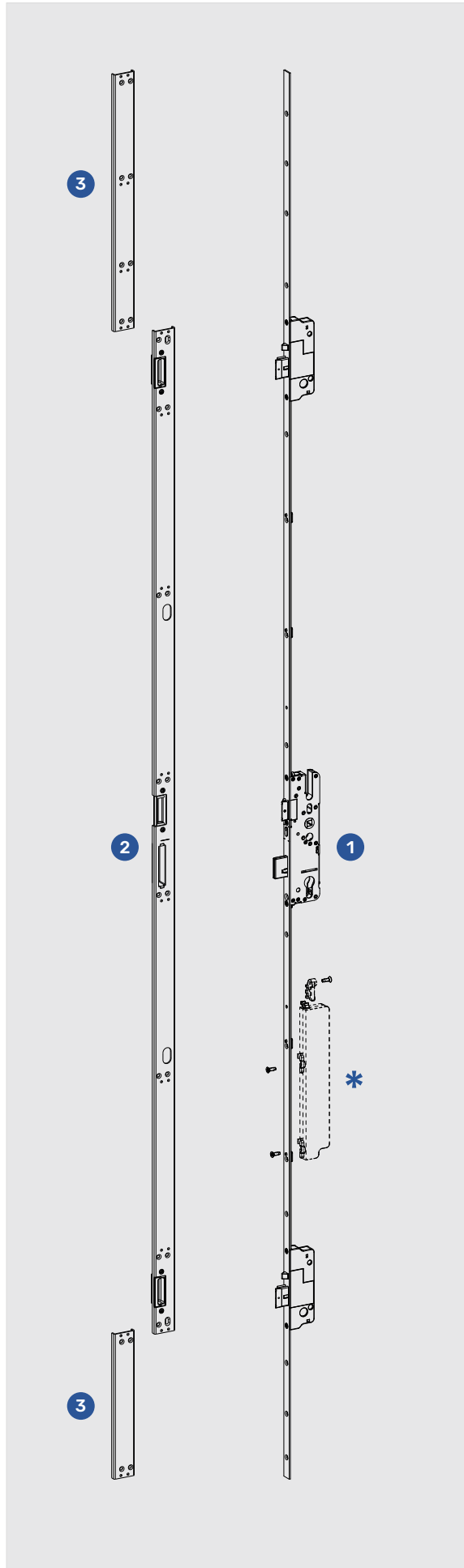
FP	LENGTH	PACK	MATERIAL
U35 x 7,5	228	100	1127059
U35 x 7,5	404	100	1127058

4 PACKERS

ONE PIECE STRIKER PACKER [PAGE 130](#)
 ONE PIECE STRIKER EXTENSION PACKER [PAGE 130](#)

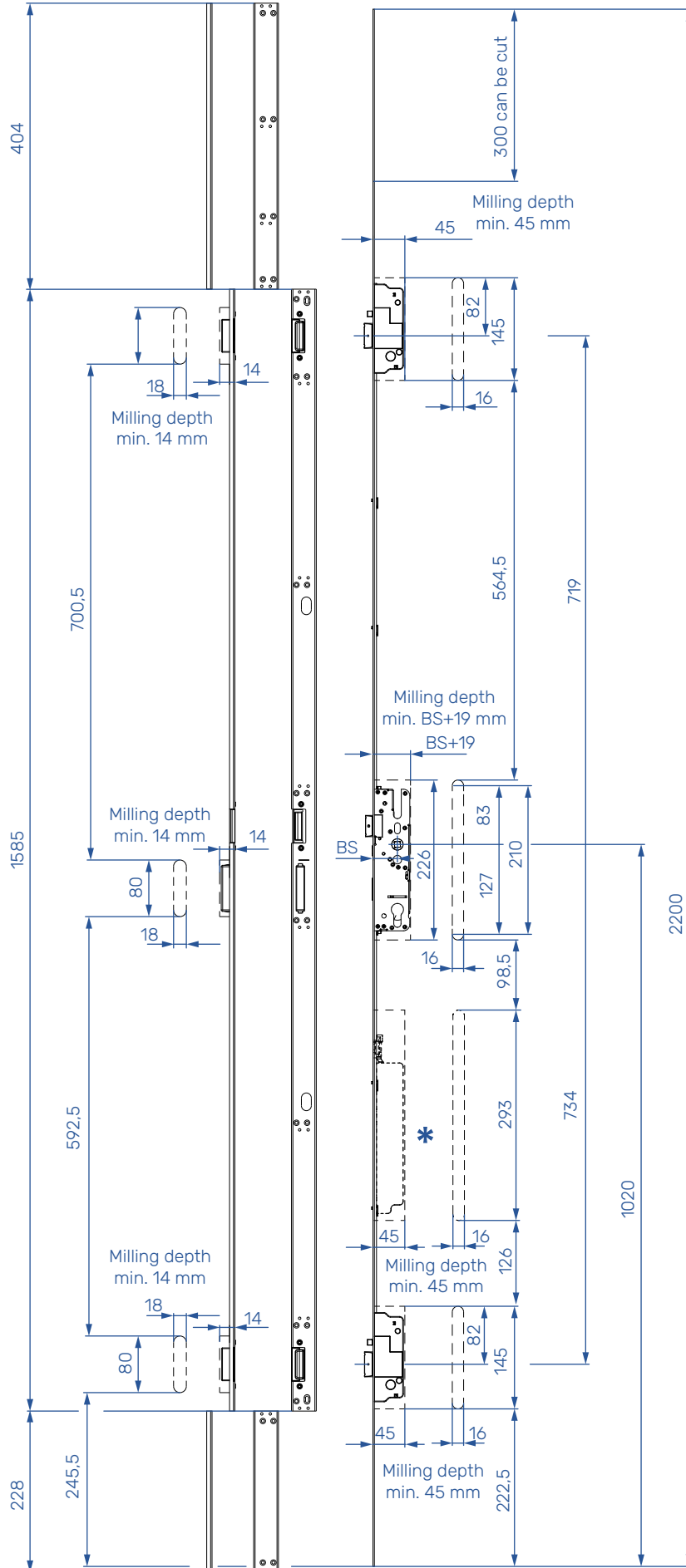
5 ARX SMART

SMART ACCESSORIES [PAGE 118](#)



¹⁾ WITHOUT PACKERS - SEE [4](#)

* SMART CLC DOOR LOCK - SEE [5](#)



CLC - LATCH BOLTS | PVC

2 latch bolts | 2200 mm | with DRF

1 CLC DOOR LOCK DRF 2LB

BS	HD	SPIN	FP	HH	PACK	MATERIAL
35	92	8	2 x 16	1020	5	1133066
40	92	8	2 x 16	1020	5	1139942
45	92	8	2 x 16	1020	5	1133067
50	92	8	2 x 16	1020	5	1139943
35	92	8	2 x 20	1020	5	1133068
40	92	8	2 x 20	1020	5	1139946
45	92	8	2 x 20	1020	5	1133069
50	92	8	2 x 20	1020	5	1139947
55	92	8	2 x 20	1020	5	1134656
65	92	8	2 x 20	1020	5	1134657

2 ONE PIECE STRIKER RF ¹⁾

FP	POS	PACK	MATERIAL
U35 x 7,5	L	10	1133608
U35 x 7,5	R	10	1133609

3 ONE PIECE STRIKER EXTENSION ¹⁾

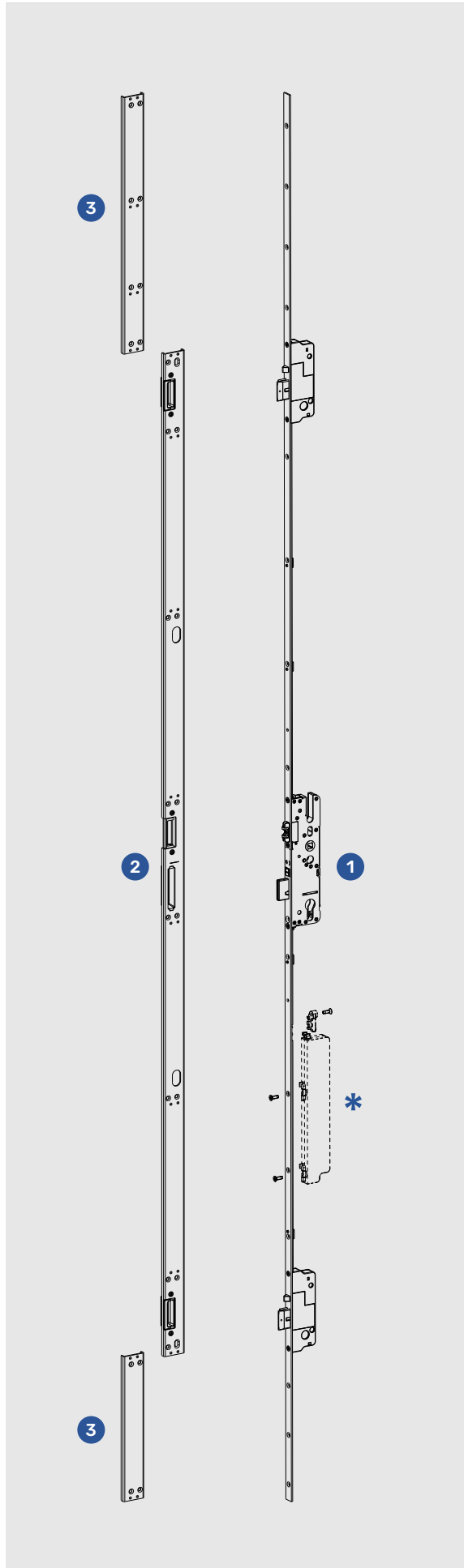
FP	LENGTH	PACK	MATERIAL
U35 x 7,5	228	100	1127059
U35 x 7,5	404	100	1127058

4 PACKERS

ONE PIECE STRIKER RF PACKER [PAGE 130](#)
ONE PIECE STRIKER EXTENSION PACKER [PAGE 130](#)

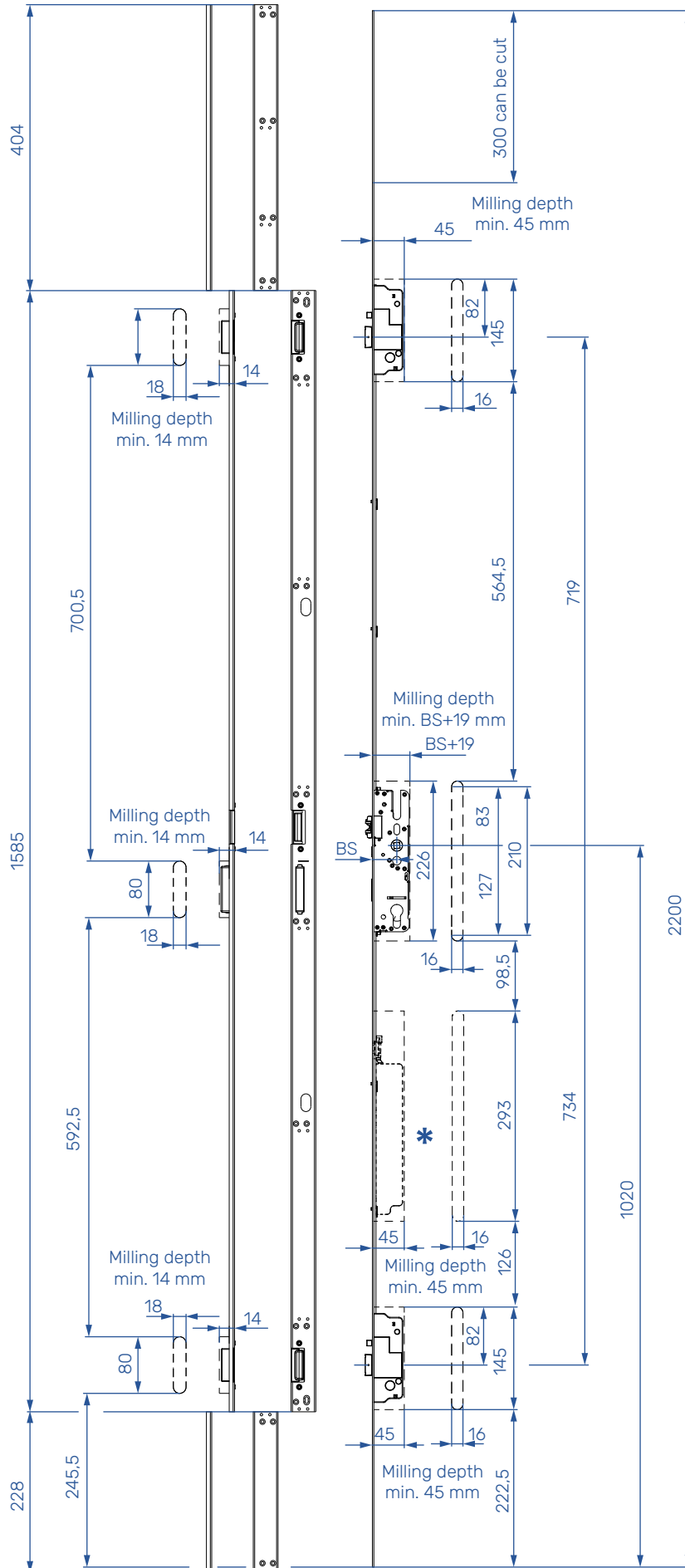
5 ARX SMART

SMART ACCESSORIES [PAGE 118](#)



¹⁾ WITHOUT PACKERS - SEE [4](#)

* SMART CLC DOOR LOCK - SEE [5](#)



CLC - LATCH BOLTS | PVC

2 latch bolts | 2500 mm

1 CLC DOOR LOCK 2LB

BS	HD	SPIN	FP	HH	PACK	MATERIAL
35	92	8	2 x 16	1020	5	1126243
45	92	8	2 x 16	1020	5	1126244
35	92	8	2 x 20	1020	5	1126245
45	92	8	2 x 20	1020	5	1126246

2 CENTER LATCH KEEP ¹⁾

FP	POS	PACK	MATERIAL
U35 x 7,5	L	50	1132341
U35 x 7,5	R	50	1132342

3 LATCH BOLT KEEP ¹⁾

FP	PACK	MATERIAL
U35 x 7,5	100	1126368

4 PACKERS

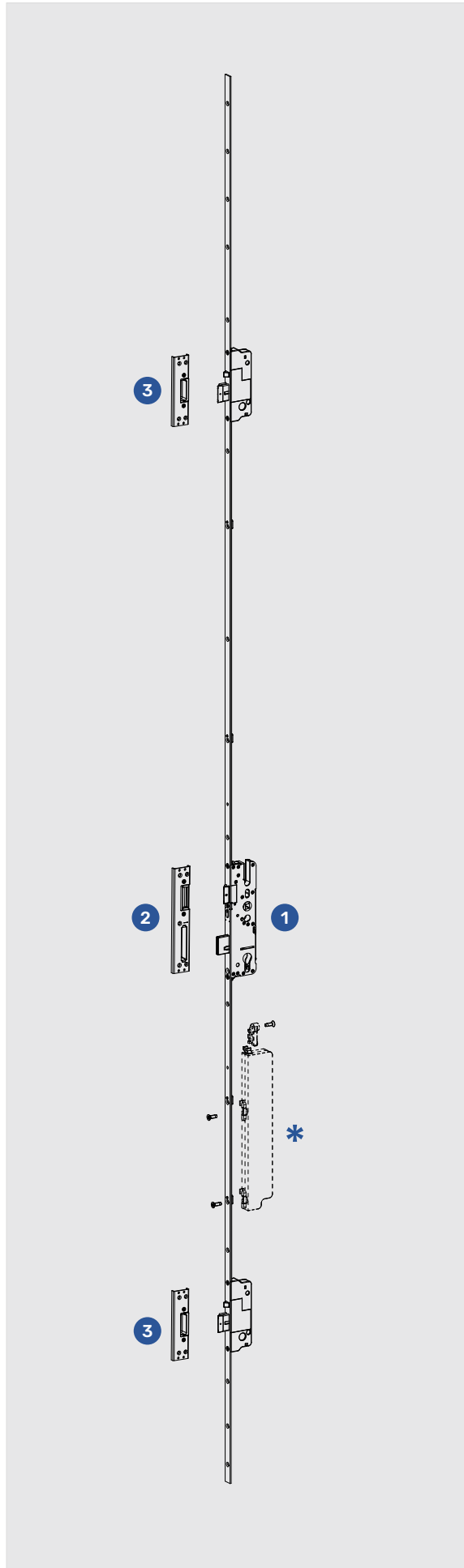
CENTER LATCH KEEP PACKER
LATCH BOLT KEEP PACKER

PAGE 130
PAGE 130

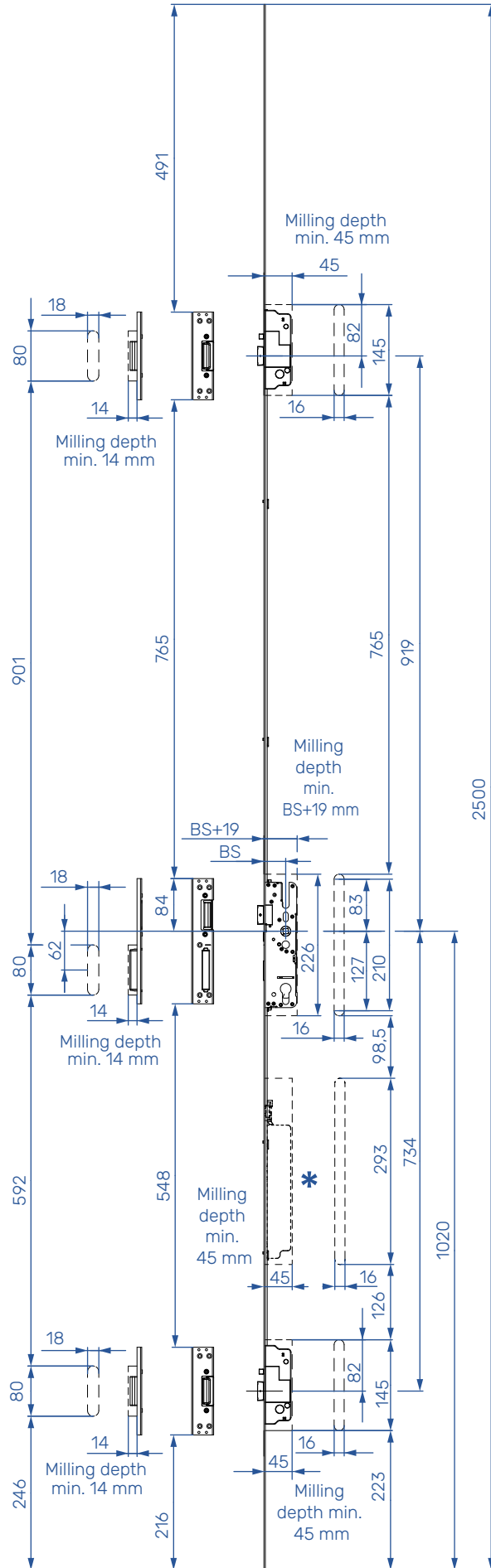
5 ARX SMART

SMART ACCESSORIES

PAGE 118



¹⁾ WITHOUT PACKERS - SEE **4**
* SMART CLC DOOR LOCK - SEE **5**



CLC - LATCH BOLTS | PVC | FRENCH DOOR

2 latch bolts | 2000 mm

1 CLC DOOR LOCK 2LB

BS	HD	SPIN	FP	HH	PACK	MATERIAL
35	92	8	2 x 16	1020	5	1127315
45	92	8	2 x 16	1020	5	1127316

2 CENTER LATCH KEEP ¹⁾

FP	POS	PACK	MATERIAL
U35 x 7,5	L	50	1132341
U35 x 7,5	R	50	1132342

3 LATCH BOLT KEEP ¹⁾

FP	PACK	MATERIAL
U35 x 7,5	100	1126368

4 SHOOTBOLTS WITH LEVER - OHG

FP	LENGTH	PACK	MATERIAL
2 x 16	150	50	1101899
2 x 16	250	50	1139891
2 x 16	350	50	1139892
2 x 16	450	50	1139893

5 SHOOTBOLT KEEP - ALU THRESHOLD

FP	PACK	MATERIAL
U24 x 7,6	100	1119694

6 HOOK KEEP ¹⁾

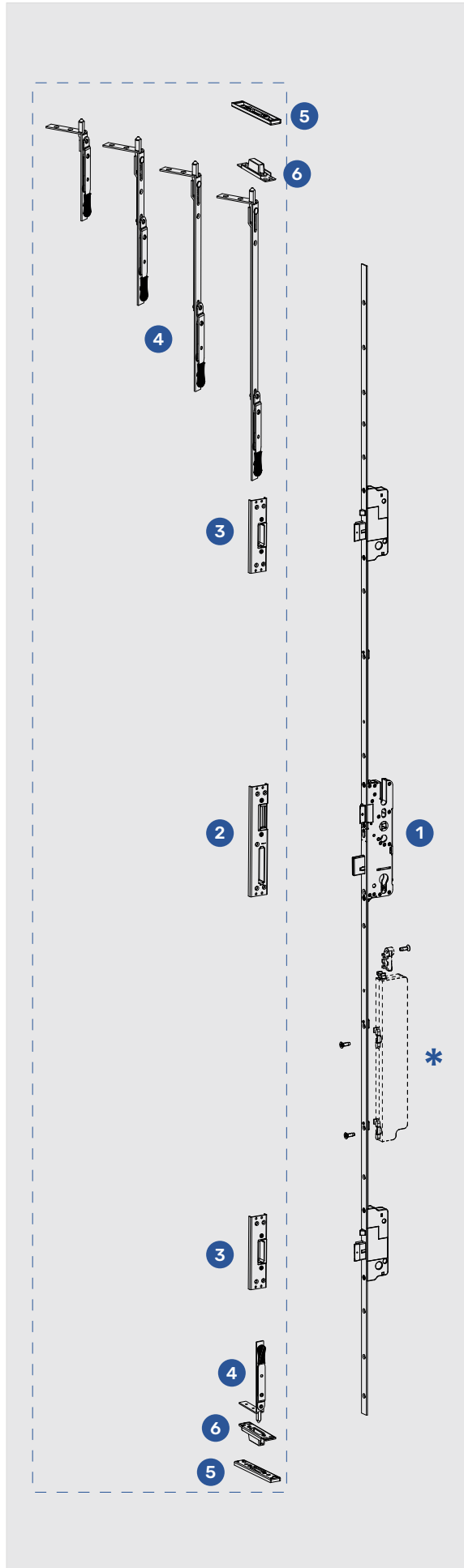
FP	PACK	MATERIAL
U27x 7,5	100	1098434

7 PACKERS

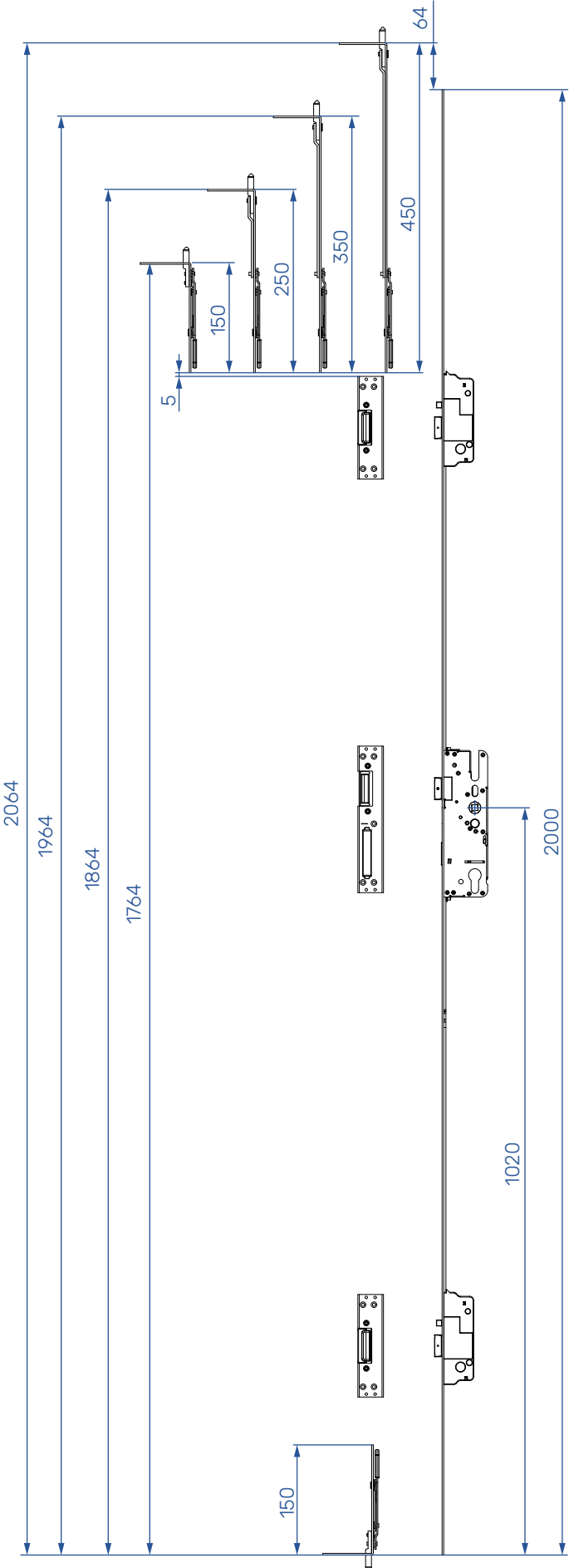
CENTER LATCH KEEP PACKER [PAGE 130](#)
 LATCH BOLT KEEP PACKER [PAGE 130](#)
 HOOK KEEP PACKER [PAGE 128](#)

8 ARX SMART

SMART ACCESSORIES [PAGE 118](#)



¹⁾ WITHOUT PACKERS - SEE [7](#)
 * SMART CLC DOOR LOCK - SEE [8](#)



CLC - LATCH BOLTS | PVC | FRENCH DOOR

2 latch bolts | 2200 mm

1 CLC DOOR LOCK 2LB

BS	HD	SPIN	FP	HH	PACK	MATERIAL
35	92	8	2 x 16	1020	5	1114597
40	92	8	2 x 16	1020	5	1139940
45	92	8	2 x 16	1020	5	1114598
50	92	8	2 x 16	1020	5	1139941
55	92	8	2 x 16	1020	5	1135373

2 ONE PIECE STRIKER ¹⁾

FP	POS	PACK	MATERIAL
U35 x 7,5	L	10	1114946
U35 x 7,5	R	10	1114947

3 SHOOTBOLTS WITH LEVER - OHG

FP	LENGTH	PACK	MATERIAL
2 x 16	150	50	1101899
2 x 16	250	50	1139891
2 x 16	350	50	1139892
2 x 16	450	50	1139893

4 SHOOTBOLT KEEP - ALU THRESHOLD

FP	PACK	MATERIAL
U24 x 7,6	100	1119694

5 HOOK KEEP ¹⁾

FP	PACK	MATERIAL
U27x 7,5	100	1098434

6 PACKERS

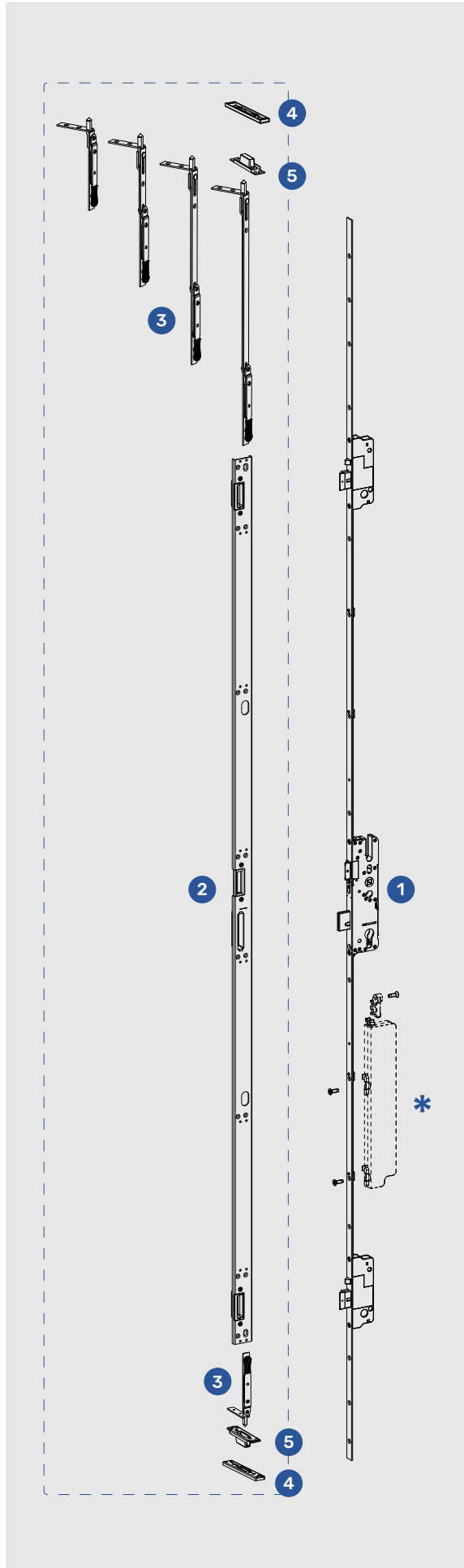
ONE PIECE STRIKER PACKER
HOOK KEEP PACKER

PAGE 130
PAGE 128

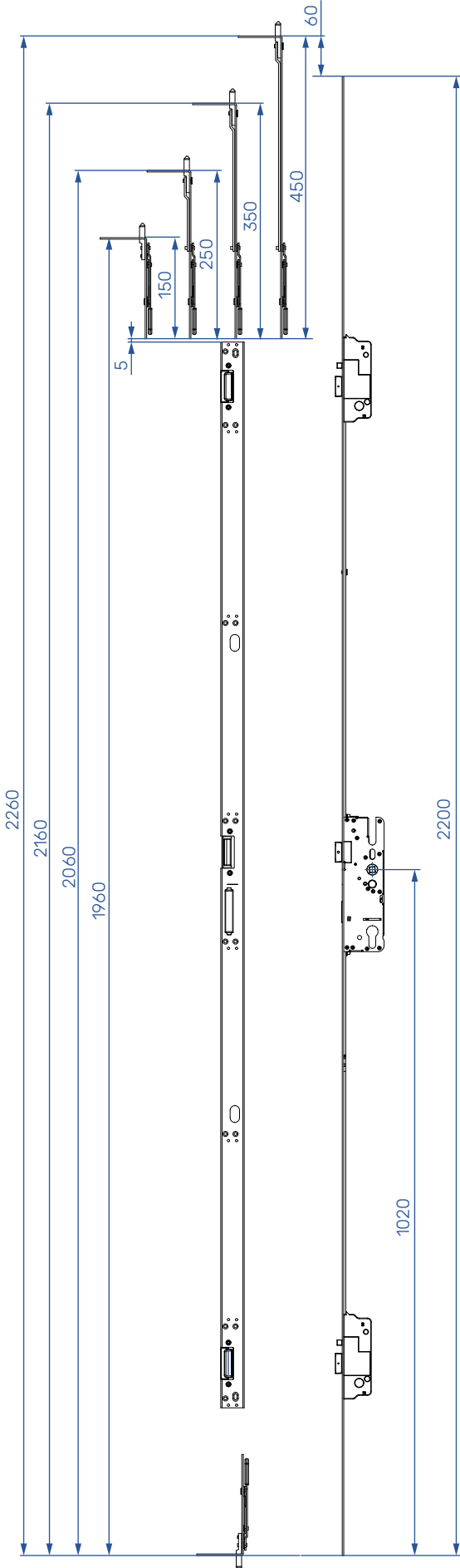
7 ARX SMART

SMART ACCESSORIES

PAGE 118



¹⁾ WITHOUT PACKERS - SEE **6**
* SMART CLC DOOR LOCK - SEE **7**



CLC - LATCH BOLTS | PVC | FRENCH DOOR

2 latch bolts | 2500 mm

1 CLC DOOR LOCK 2LB

BS	HD	SPIN	FP	HH	PACK	MATERIAL
35	92	8	2 x 16	1020	5	1126243
45	92	8	2 x 16	1020	5	1126244

2 CENTER LATCH KEEP ¹⁾

FP	POS	PACK	MATERIAL
U35 x 7,5	L	50	1132341
U35 x 7,5	R	50	1132342

3 LATCH BOLT KEEP ¹⁾

FP	PACK	MATERIAL
U35 x 7,5	100	1126368

4 SHOOTBOLTS WITH LEVER - OHG

FP	LENGTH	PACK	MATERIAL
2 x 16	150	50	1101899
2 x 16	250	50	1139891
2 x 16	350	50	1139892
2 x 16	450	50	1139893

5 SHOOTBOLT KEEP - ALU THRESHOLD

FP	PACK	MATERIAL
U24 x 7,6	100	1119694

6 HOOK KEEP ¹⁾

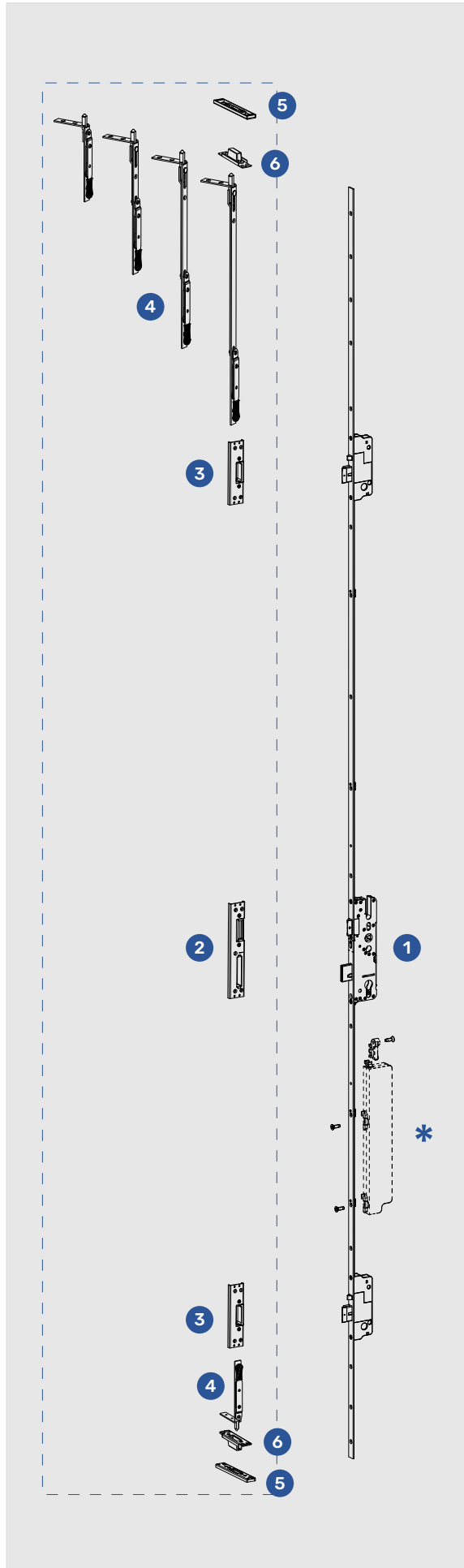
FP	PACK	MATERIAL
U27x 7,5	100	1098434

7 PACKERS

CENTER LATCH KEEP PACKER [PAGE 130](#)
 LATCH BOLT KEEP PACKER [PAGE 130](#)
 HOOK KEEP PACKER [PAGE 128](#)

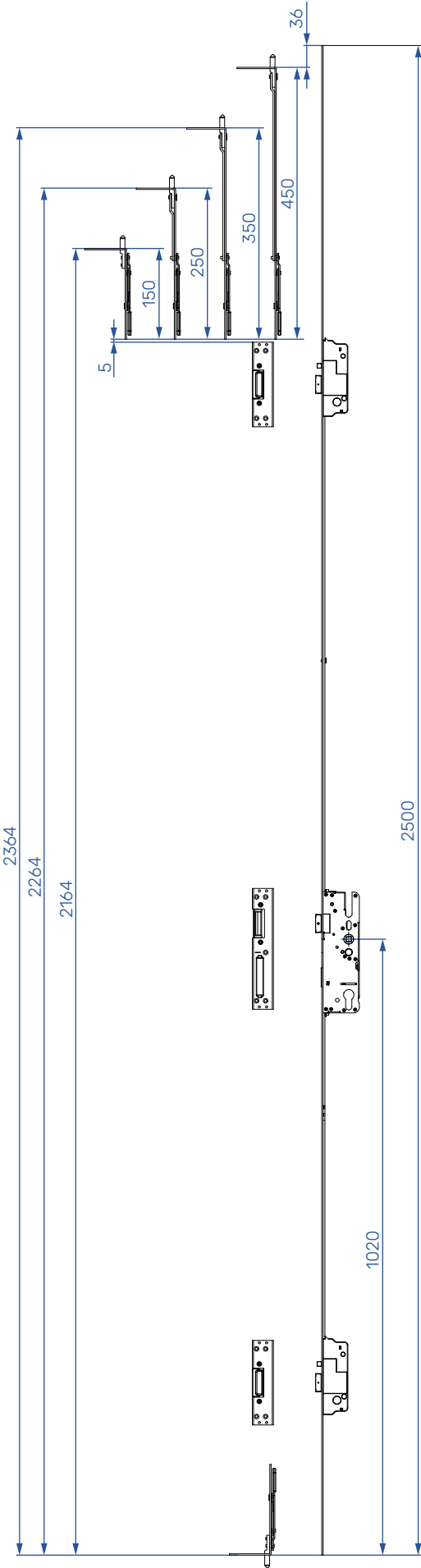
8 ARX SMART

SMART ACCESSORIES [PAGE 118](#)



¹⁾ WITHOUT PACKERS - SEE [7](#)

* SMART CLC DOOR LOCK - SEE [8](#)



CLC - LATCH BOLTS | PVC | FRENCH DOOR

1+1 latch bolts | 2200 - 2700 mm | Extendable

1 CLC DOOR LOCK 1LB - bottom

BS	HD	SPIN	FP	HH	PACK	MATERIAL
35	92	8	2 x 16	1020	10	1141718
40	92	8	2 x 16	1020	10	1141719
45	92	8	2 x 16	1020	10	1141720

2 CLC EXTENSION 1LB - top

FP	LENGTH	PACK	MATERIAL
2 x 16	850	10	1141721
2 x 16	1100	10	1141722
2 x 16	1350	10	1141723

3 ONE PIECE STRIKER 1LB ¹⁾

FP	POS	PACK	MATERIAL
U35 x 7,5	L	10	1141951
U35 x 7,5	R	10	1141952

4 CLC SHOOTBOLTS WITH LEVER 1LB - top ¹⁾

FP	POS	PACK	MATERIAL
U35 x 7,5	L	10	1141949
U35 x 7,5	R	10	1141950

5 CLC SHOOTBOLTS WITH LEVER 1LB - bottom ¹⁾

FP	POS	PACK	MATERIAL
U35 x 7,5	L	10	1141947
U35 x 7,5	R	10	1141948

6 ONE PIECE STRIKER EXTENSION ¹⁾

FP	LENGTH	PACK	MATERIAL
U35 x 7,5	250	10	1141953
U35 x 7,5	500	10	1141954

7 PACKERS

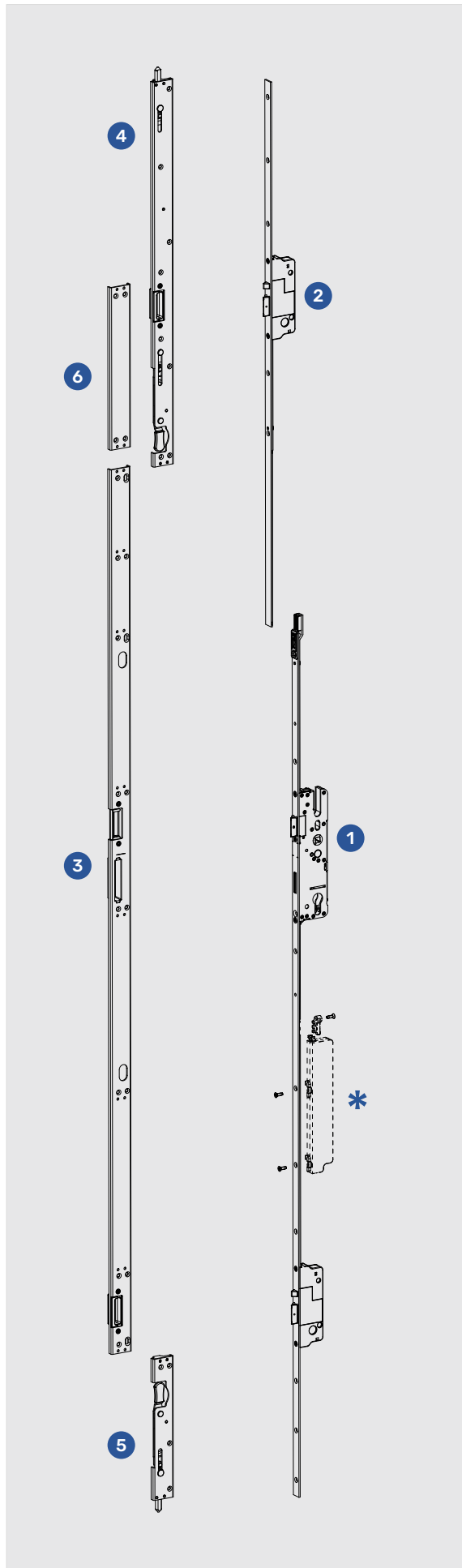
CENTER LATCH KEEP PACKER
LATCH BOLT KEEP PACKER
HOOK KEEP PACKER

PAGE 130
PAGE 130
PAGE 128

8 ARX SMART

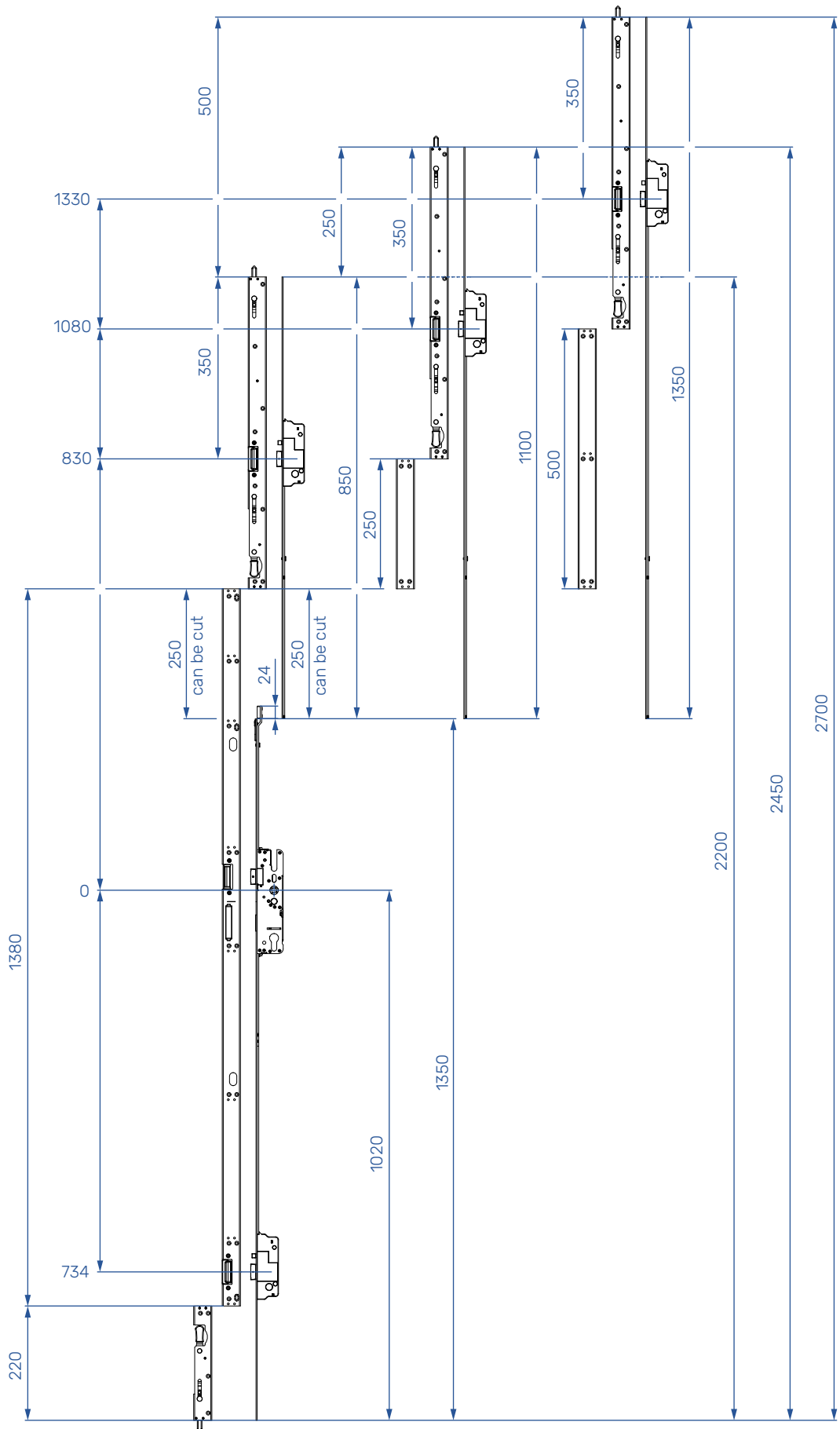
SMART ACCESSORIES

PAGE 118



¹⁾ WITHOUT PACKERS - SEE **7**

* SMART CLC DOOR LOCK - SEE **8**



CLC - LATCH BOLTS | ALU U24

2 latch bolts | 1800 mm

1 CLC DOOR LOCK 2LB

BS	HD	SPIN	FP	HH	PACK	MATERIAL
35	92	8	U24 x 6	1020	5	1134232
40	92	8	U24 x 6	1020	5	1139950
45	92	8	U24 x 6	1020	5	1134237
50	92	8	U24 x 6	1020	5	1139951
55	92	8	U24 x 6	1020	5	1136486

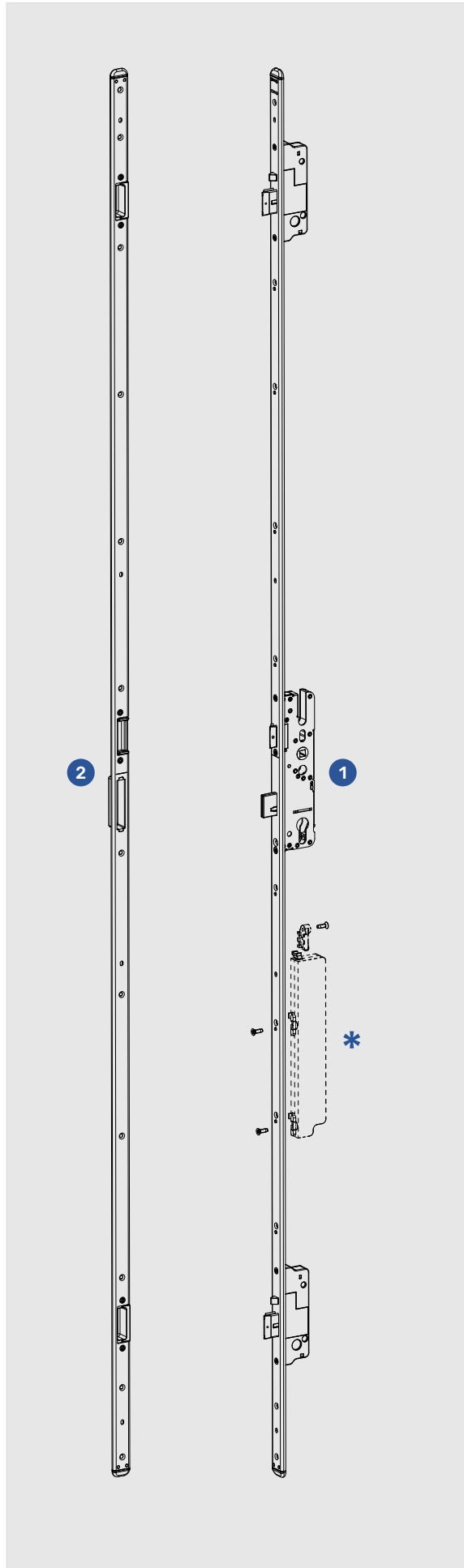
2 ONE PIECE STRIKER

FP	POS	PACK	MATERIAL
U24 x 5	L	10	1134240
U24 x 5	R	10	1134241

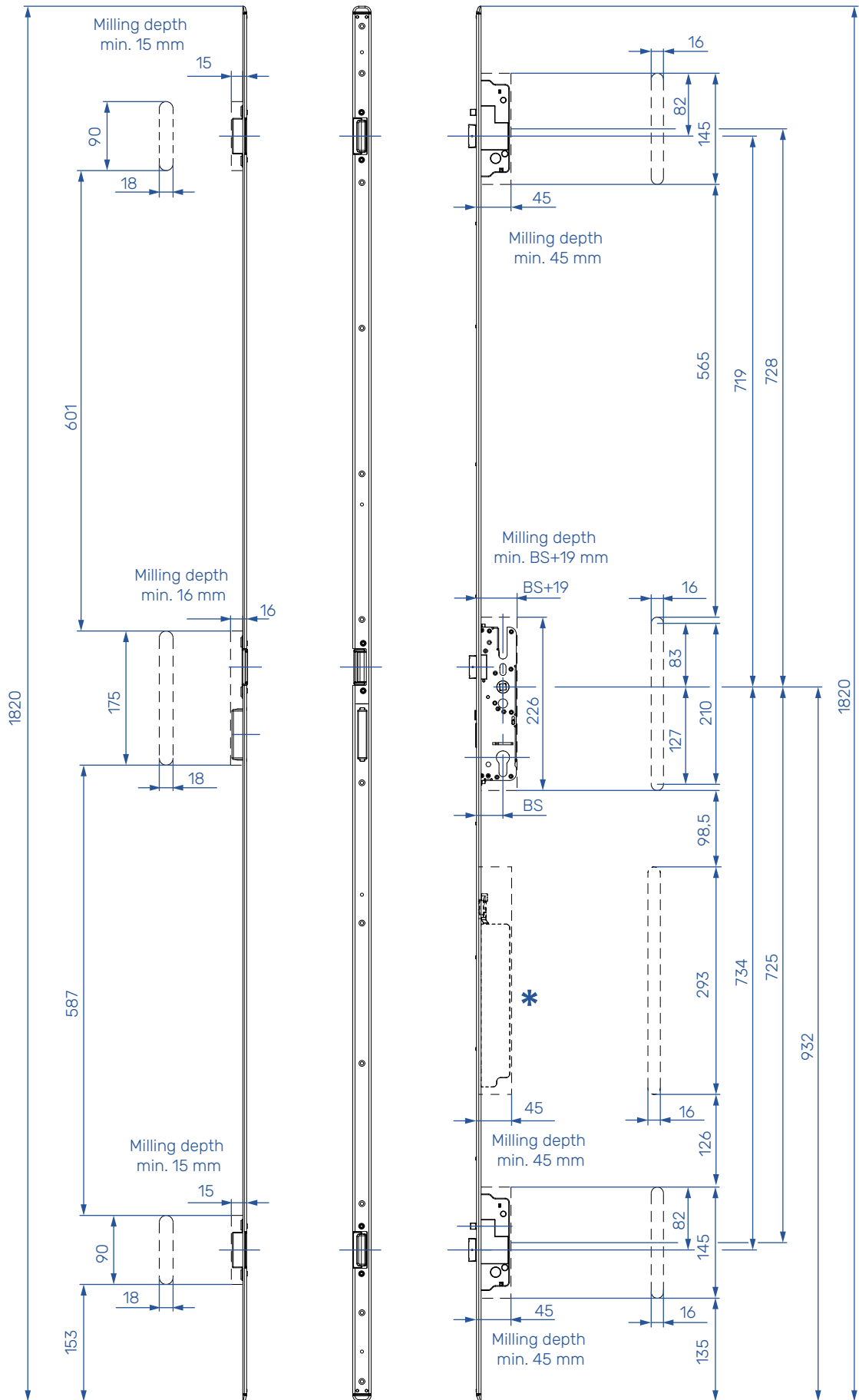
3 ARX SMART

SMART ACCESSORIES

PAGE 118



* SMART CLC DOOR LOCK - SEE 3



CLC - LATCH BOLTS | ALU U24

2 latch bolts | 1800 mm | with DRF

1 CLC DOOR LOCK DRF 2LB

BS	HD	SPIN	FP	HH	PACK	MATERIAL
35	92	8	U24 x 6	1020	5	1128542
40	92	8	U24 x 6	1020	5	1139952
45	92	8	U24 x 6	1020	5	1128543
50	92	8	U24 x 6	1020	5	1139953

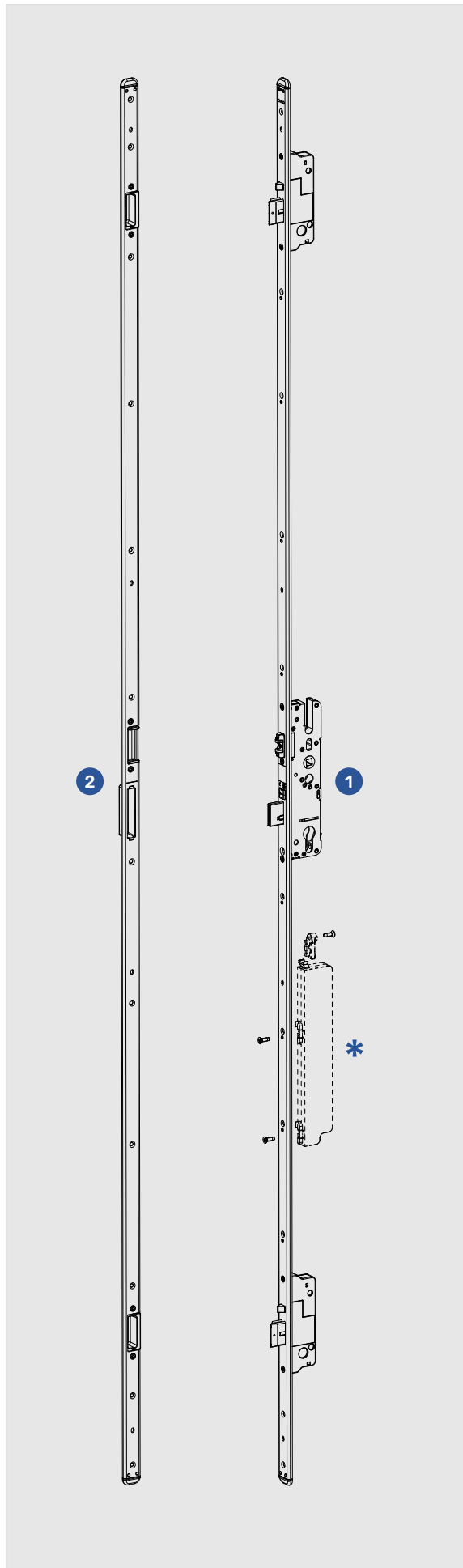
2 ONE PIECE STRIKER RF

FP	POS	PACK	MATERIAL
U24 x 5	L	10	1128546
U24 x 5	R	10	1128547

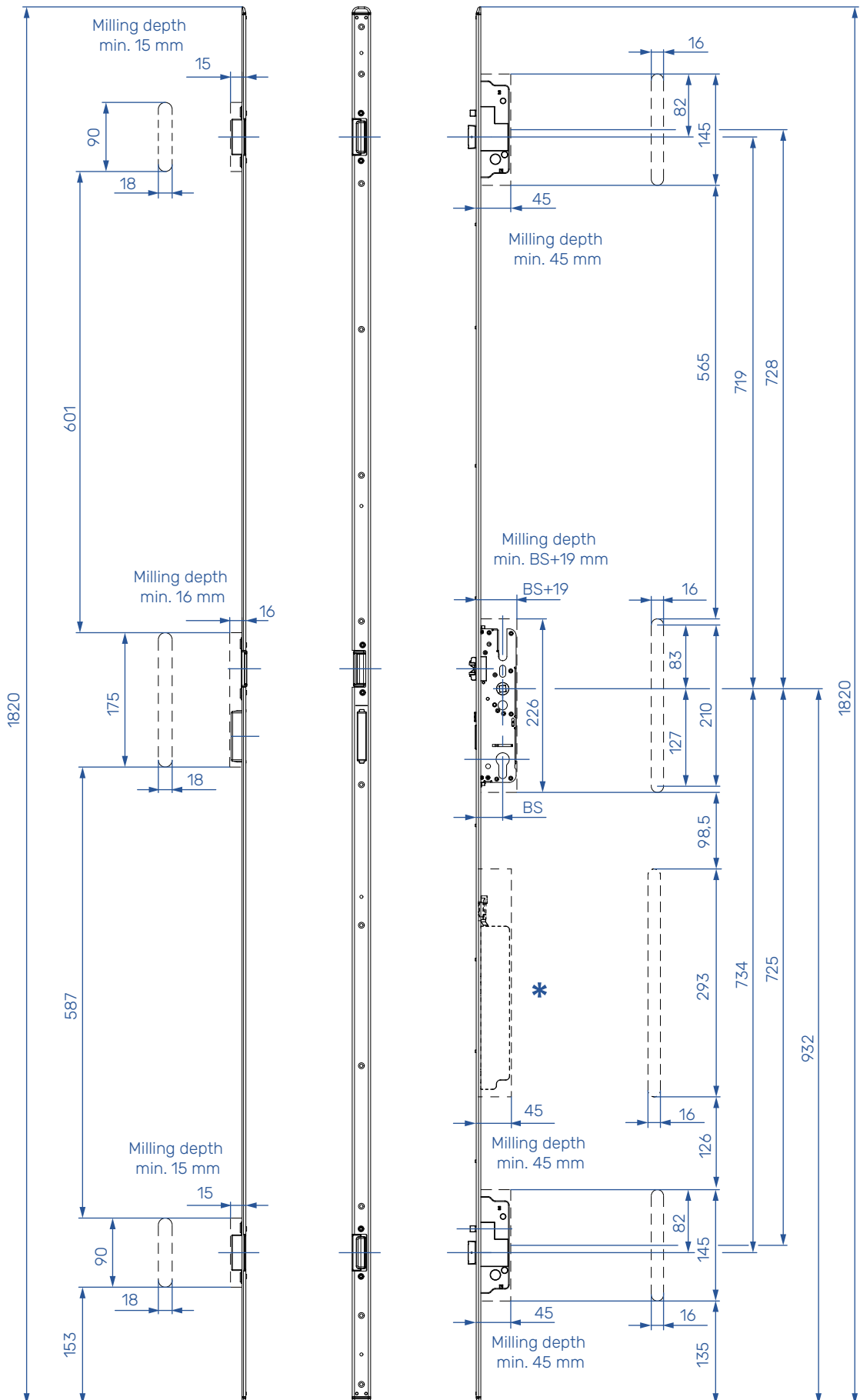
3 ARX SMART

SMART ACCESSORIES

PAGE 118



* SMART CLC DOOR LOCK - SEE 3



CLC - LATCH BOLTS | ALU U24

3 latch bolts | 2500 mm

1 CLC DOOR LOCK 2LB

BS	HD	SPIN	FP	HH	PACK	MATERIAL
35	92	8	U24 x 6	1020	5	1134238
40	92	8	U24 x 6	1020	5	1139954
45	92	8	U24 x 6	1020	5	1134239
50	92	8	U24 x 6	1020	5	1139955

2 ONE PIECE STRIKER

FP	POS	PACK	MATERIAL
U24 x 5	L	10	1134240
U24 x 5	R	10	1134241

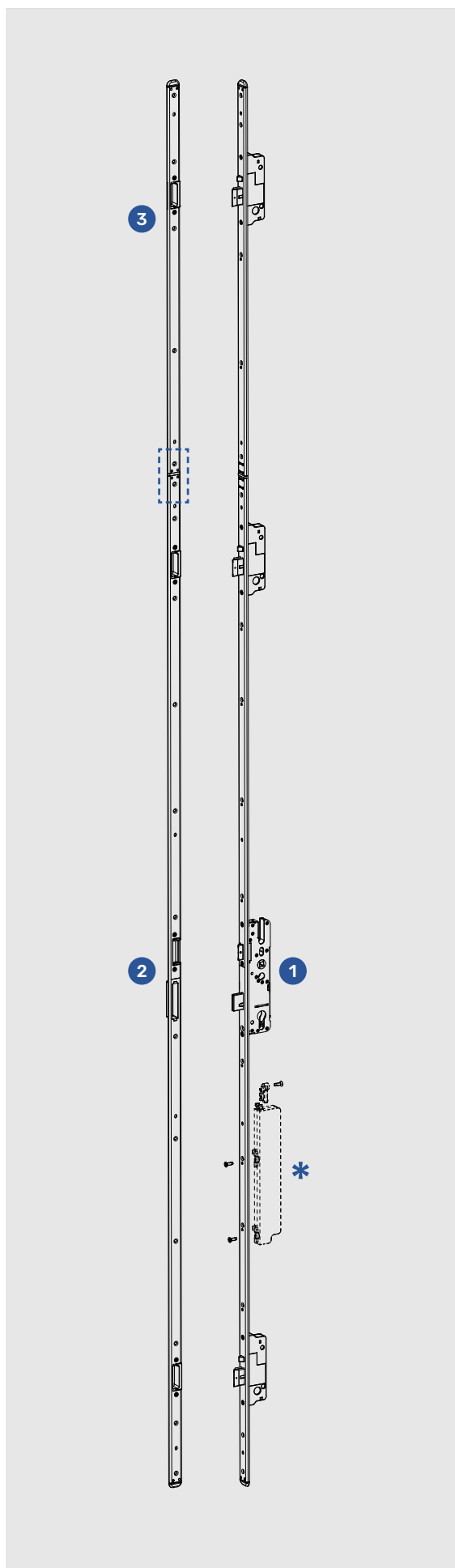
3 ONE PIECE STRIKER EXTENSION 1LB

FP	POS	PACK	MATERIAL
U24 x 5	L	10	1128548
U24 x 5	R	10	1128549

4 ARX SMART

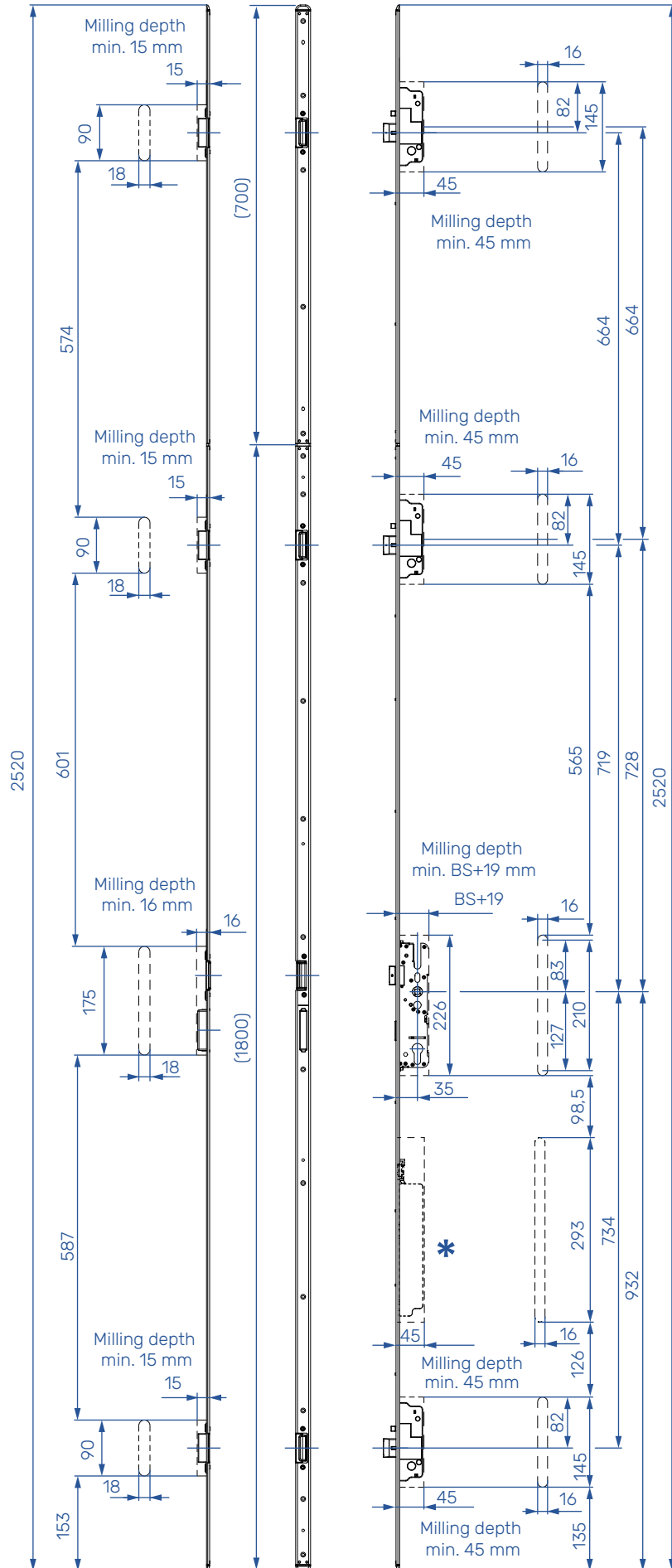
SMART ACCESSORIES

PAGE 118



* SMART CLC DOOR LOCK - SEE 4

INSTALLATION INSTRUCTIONS - PAGE 161



CLC - LATCH BOLTS | ALU U24

3 latch bolts | 2500 mm | with DRF

1 CLC DOOR LOCK DRF 2LB

BS	HD	SPIN	FP	HH	PACK	MATERIAL
35	92	8	U24 x 6	1020	5	1128544
40	92	8	U24 x 6	1020	5	1139956
45	92	8	U24 x 6	1020	5	1128545
50	92	8	U24 x 6	1020	5	1139957

2 ONE PIECE STRIKER RF

FP	POS	PACK	MATERIAL
U24 x 5	L	10	1128546
U24 x 5	R	10	1128547

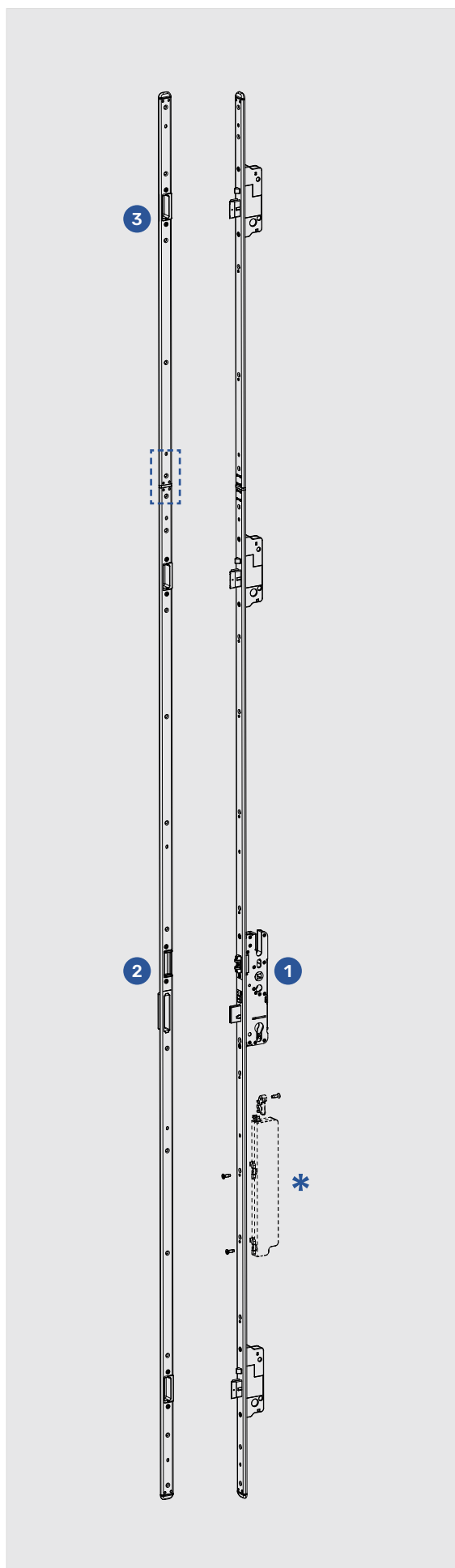
3 ONE PIECE STRIKER EXTENSION 1LB

FP	POS	PACK	MATERIAL
U24 x 5	L	10	1128548
U24 x 5	R	10	1128549

4 ARX SMART

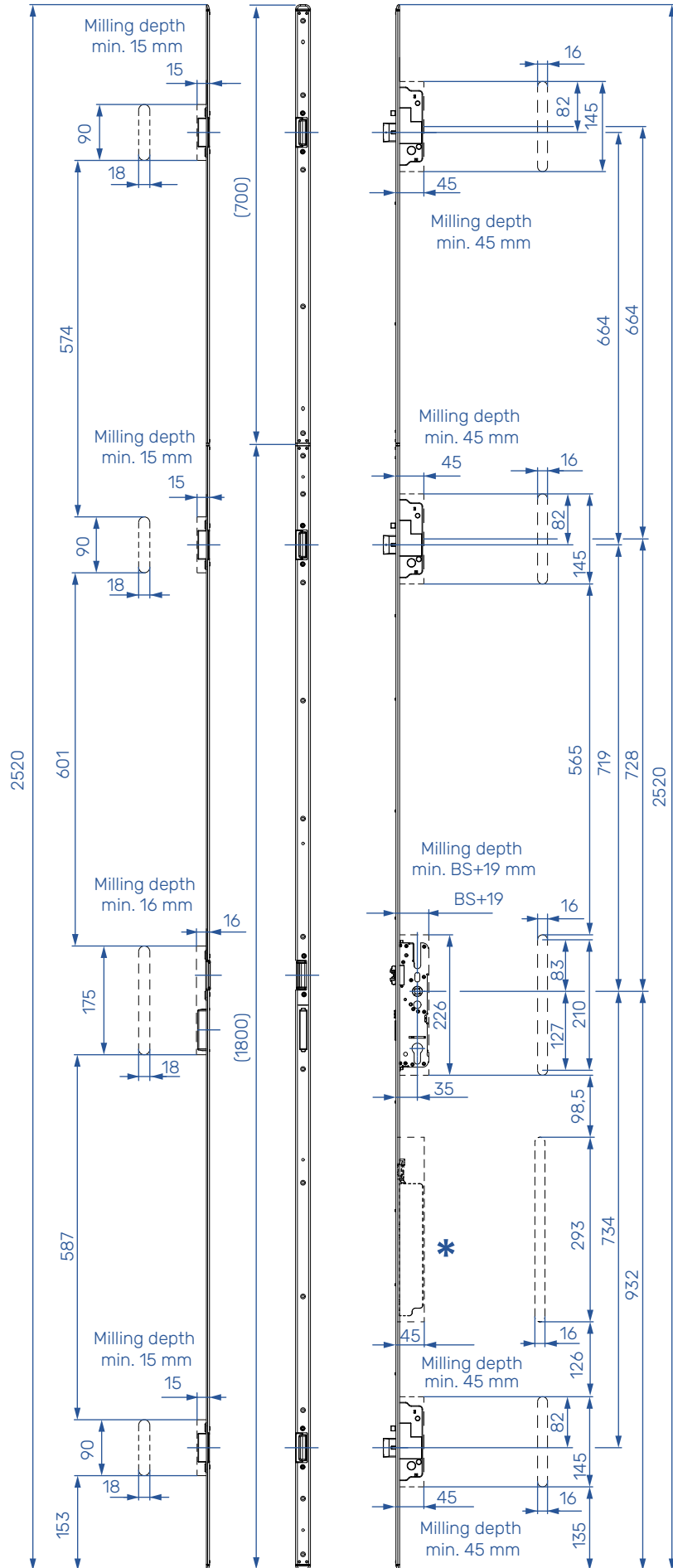
SMART ACCESSORIES

PAGE 118



* SMART CLC DOOR LOCK - SEE **4**

INSTALLATION INSTRUCTIONS - PAGE 161



CLC - AUTOMATIC HOOKS | ALU U24

2 automatic hooks | 1800 mm

1 CLC DOOR LOCK 2AH

BS	HD	SPIN	FP	HH	PACK	MATERIAL
35	92	8	U24 x 6	1020	5	1140253
40	92	8	U24 x 6	1020	5	1140254
45	92	8	U24 x 6	1020	5	1140255
50	92	8	U24 x 6	1020	5	1140256
55	92	8	U24 x 6	1020	5	1140257

2 ONE PIECE STRIKER

FP	POS	PACK	MATERIAL
U24 x 5	L	10	1140258
U24 x 5	R	10	1140259

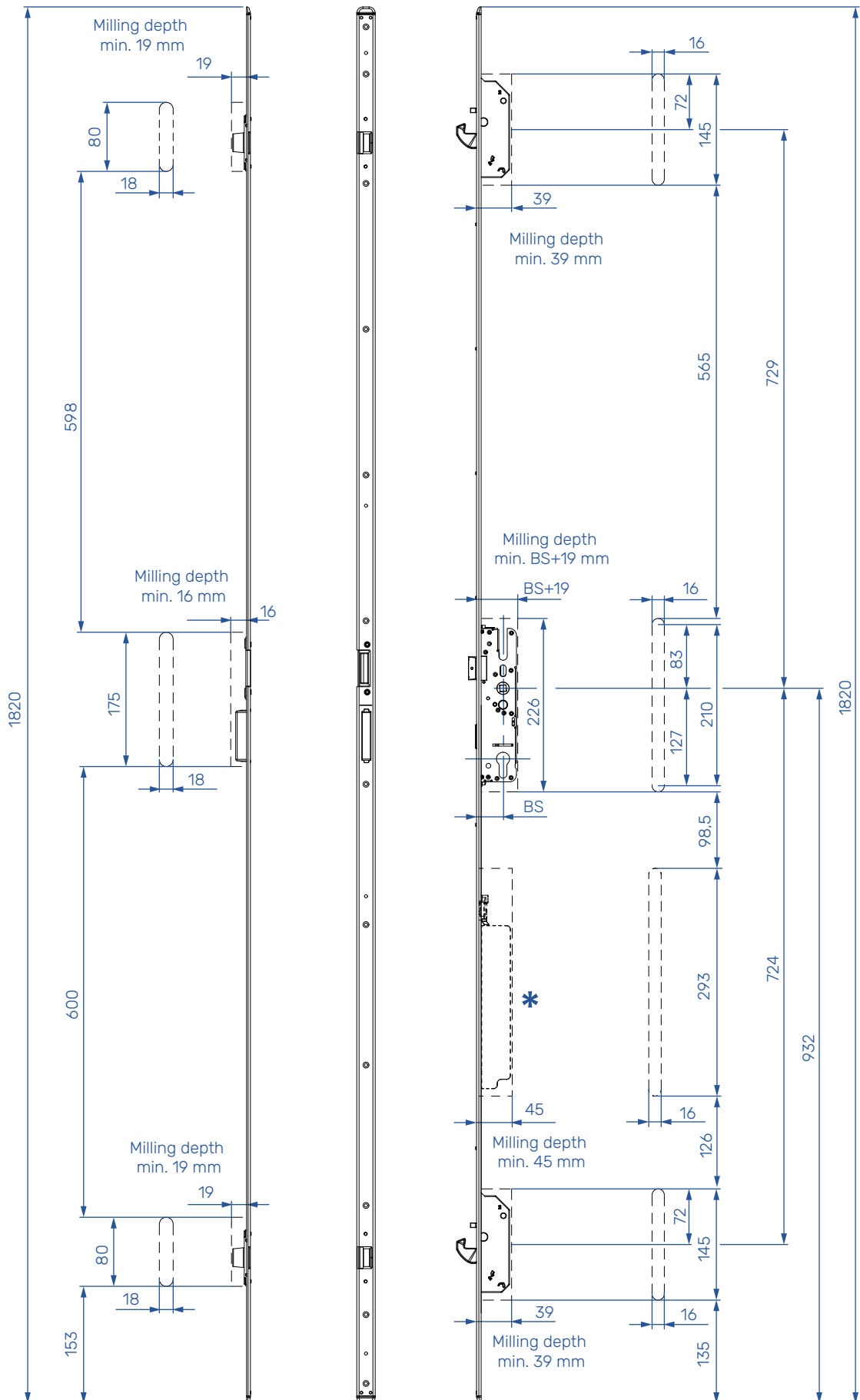
3 ARX SMART

SMART ACCESSORIES

PAGE 118



* SMART CLC DOOR LOCK - SEE **3**



CLC - AUTOMATIC HOOKS | ALU U24

2 automatic hooks | 1800 mm | with DRF

1 CLC DOOR LOCK DRF 2AH

BS	HD	SPIN	FP	HH	PACK	MATERIAL
35	92	8	U24 x 6	1020	5	1140260
40	92	8	U24 x 6	1020	5	1140261
45	92	8	U24 x 6	1020	5	1140262
50	92	8	U24 x 6	1020	5	1140263
55	92	8	U24 x 6	1020	5	1140264

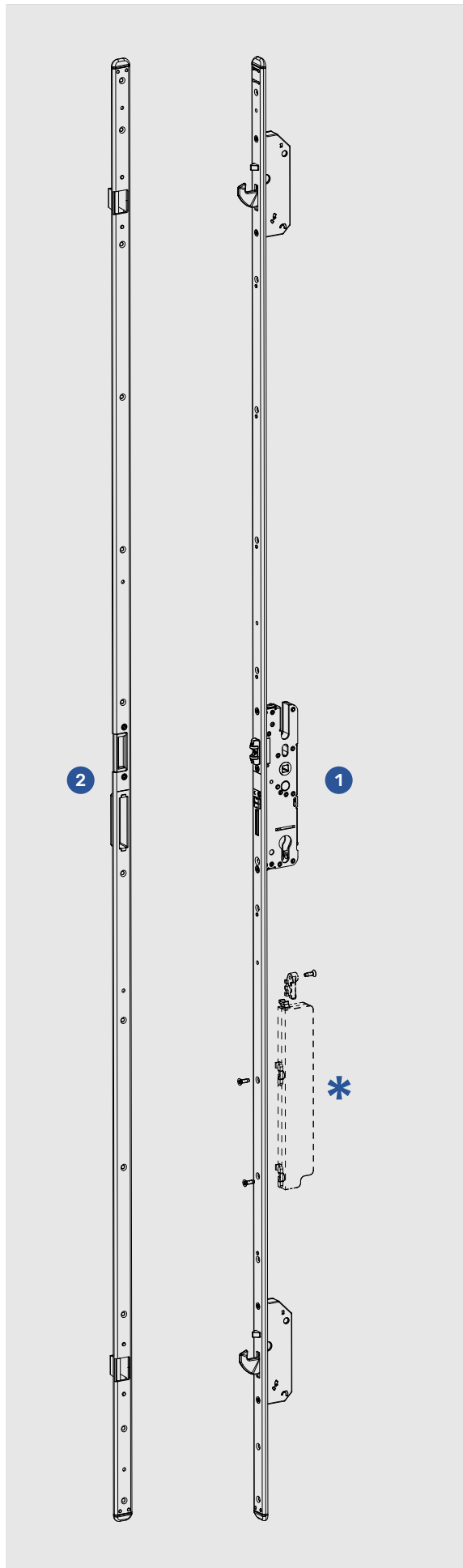
2 ONE PIECE STRIKER RF

FP	POS	PACK	MATERIAL
U24 x 5	L	10	1140265
U24 x 5	R	10	1140266

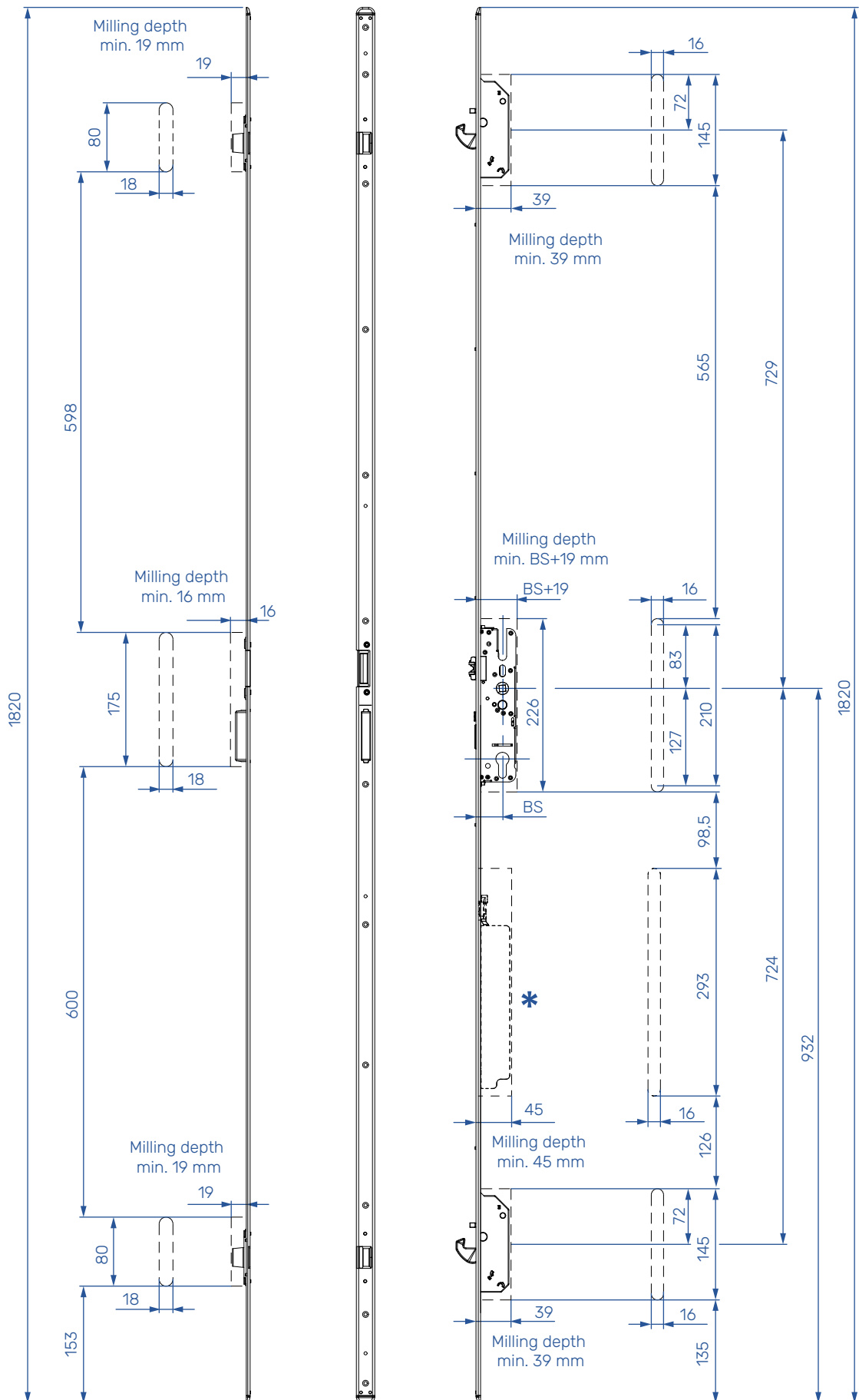
3 ARX SMART

SMART ACCESSORIES

PAGE 118



* SMART CLC DOOR LOCK - SEE 3



CLC - AUTOMATIC HOOKS | ALU U24

3 automatic hooks | 2500 mm

1 CLC DOOR LOCK 3AH

BS	HD	SPIN	FP	HH	PACK	MATERIAL
35	92	8	U24 x 6	1020	5	1140267
40	92	8	U24 x 6	1020	5	1140268
45	92	8	U24 x 6	1020	5	1140269
50	92	8	U24 x 6	1020	5	1140270
55	92	8	U24 x 6	1020	5	1140271

2 ONE PIECE STRIKER

FP	POS	PACK	MATERIAL
U24 x 5	L	10	1140258
U24 x 5	R	10	1140259

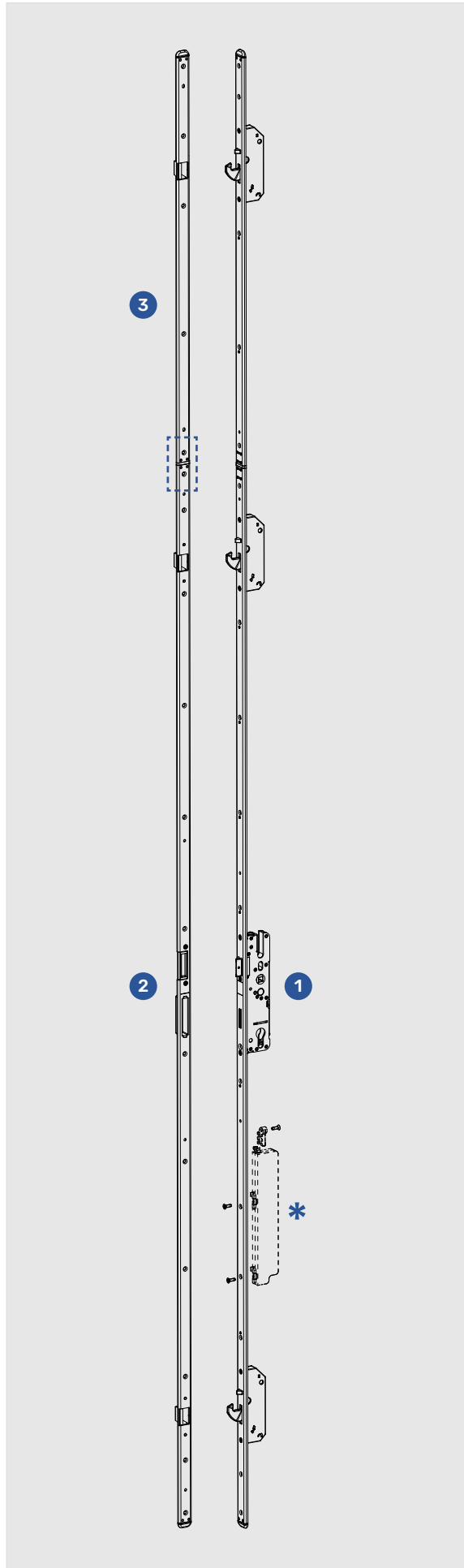
3 ONE PIECE STRIKER EXTENSION 1AH

FP	POS	PACK	MATERIAL
U24 x 5	L	10	1140277
U24 x 5	R	10	1140278

4 ARX SMART

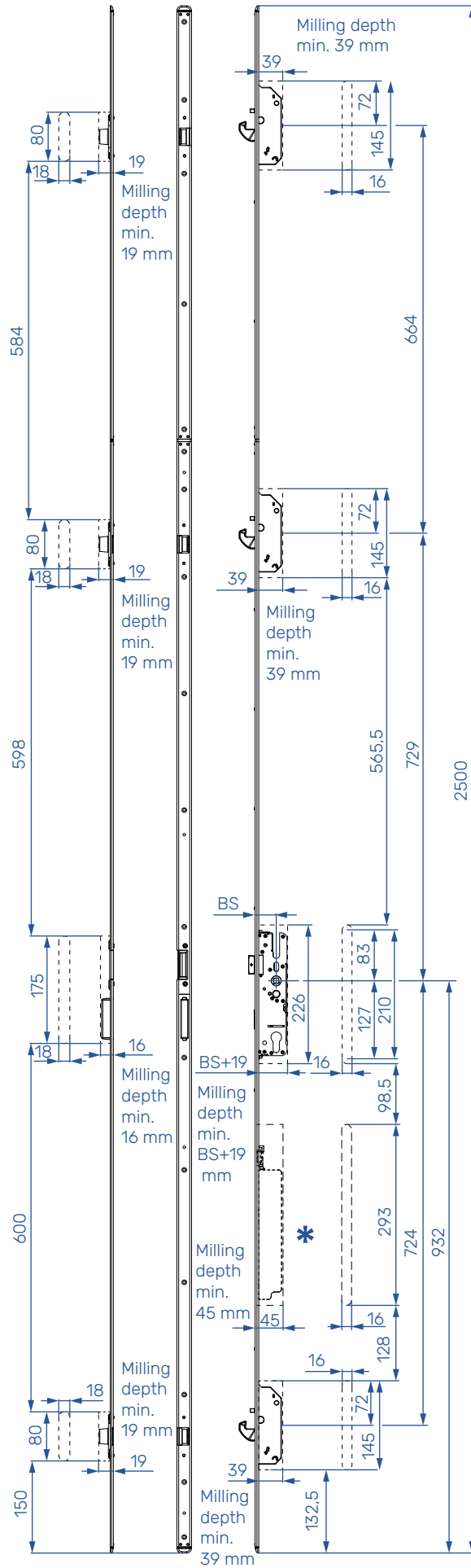
SMART ACCESSORIES

PAGE 118



* SMART CLC DOOR LOCK - SEE **4**

INSTALLATION INSTRUCTIONS - PAGE 161



CLC - AUTOMATIC HOOKS | ALU U24

3 automatic hooks | 2500 mm | with DRF

1 CLC DOOR LOCK DRF 3AH

BS	HD	SPIN	FP	HH	PACK	MATERIAL
35	92	8	U24 x 6	1020	5	1140272
40	92	8	U24 x 6	1020	5	1140273
45	92	8	U24 x 6	1020	5	1140274
50	92	8	U24 x 6	1020	5	1140275
55	92	8	U24 x 6	1020	5	1140276

2 ONE PIECE STRIKER RF

FP	POS	PACK	MATERIAL
U24 x 5	L	10	1140265
U24 x 5	R	10	1140266

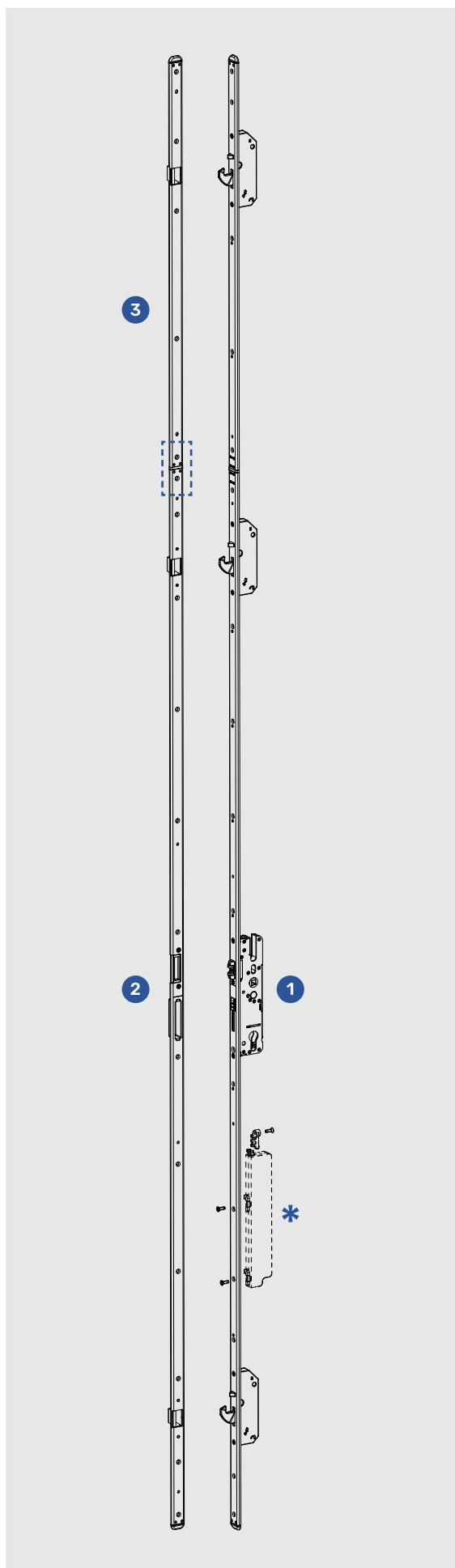
3 ONE PIECE STRIKER EXTENSION 1AH

FP	POS	PACK	MATERIAL
U24 x 5	L	10	1140277
U24 x 5	R	10	1140278

4 ARX SMART

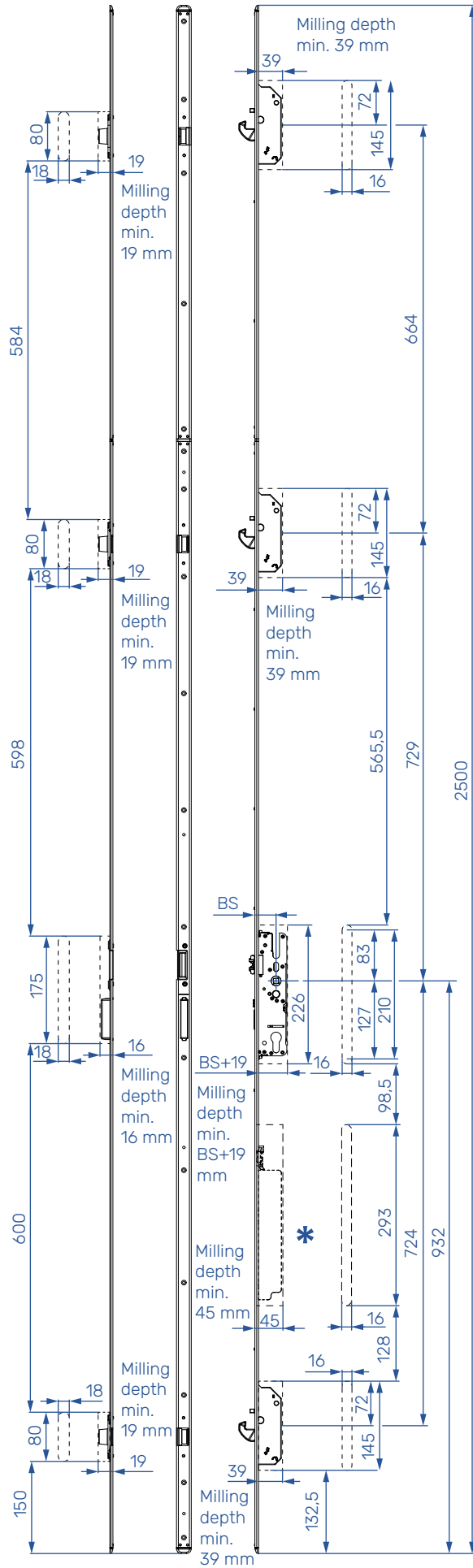
SMART ACCESSORIES

PAGE 118



* SMART CLC DOOR LOCK - SEE **4**

INSTALLATION INSTRUCTIONS - PAGE 161



CLC - LATCH BOLTS | ALU GROOVE

2 latch bolts | 2200 mm

1 CLC DOOR LOCK ALU 2LB

BS	HD	SPIN	FP	HH	PACK	MATERIAL
35	92	8	2 x 20	1020	5	1133593
40	92	8	2 x 20	1020	5	1139948
45	92	8	2 x 20	1020	5	1133598
50	92	8	2 x 20	1020	5	1139949

2 CENTER LATCH KEEP ALU (9 axis)

FP	PACK	MATERIAL
2 x 20	10	1114132

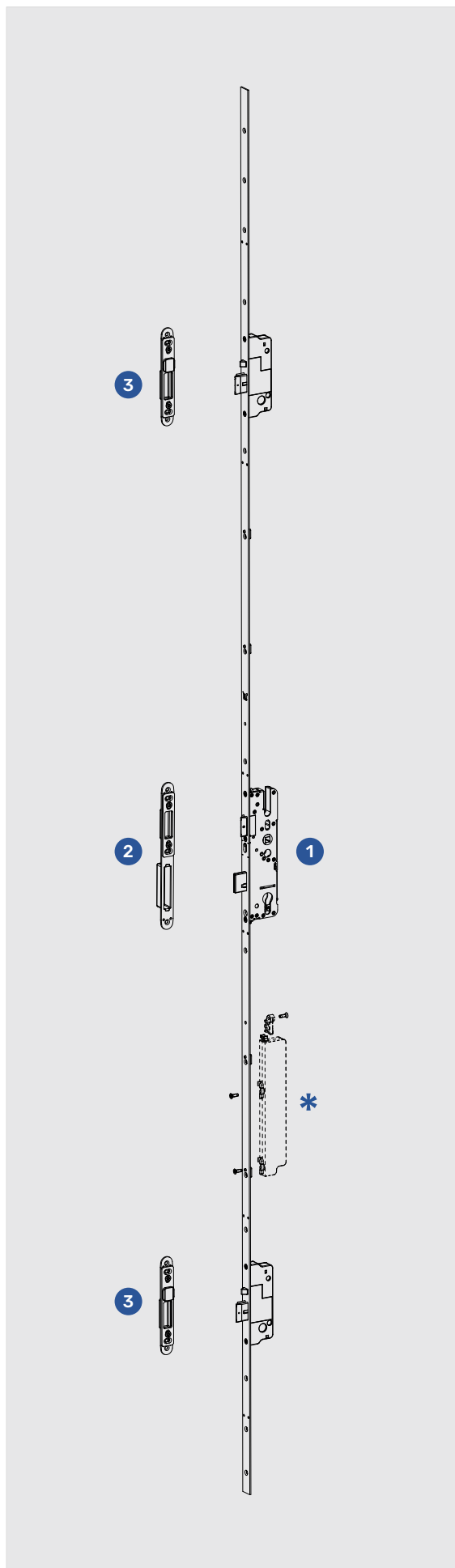
3 LATCH BOLT KEEP ALU (9 axis)

FP	PACK	MATERIAL
2 x 20	10	1128824

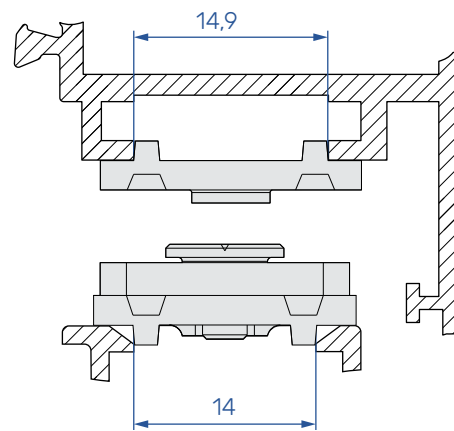
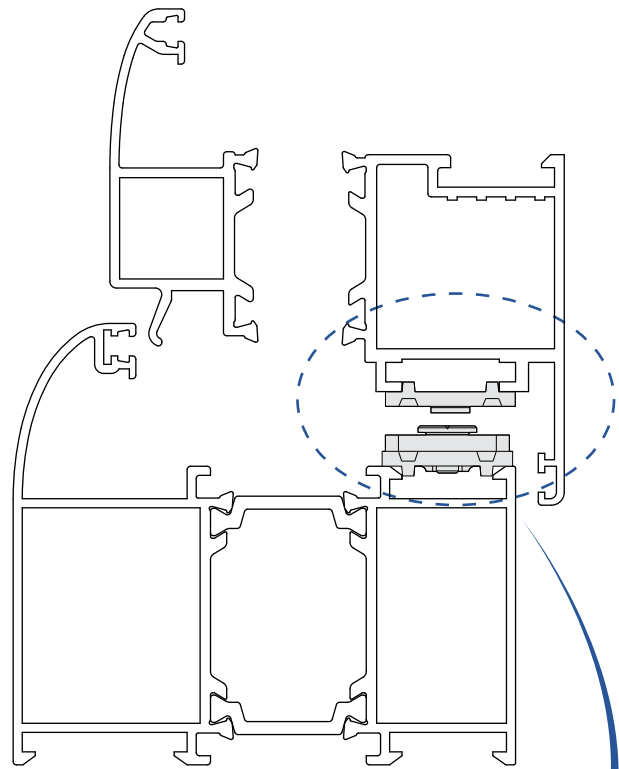
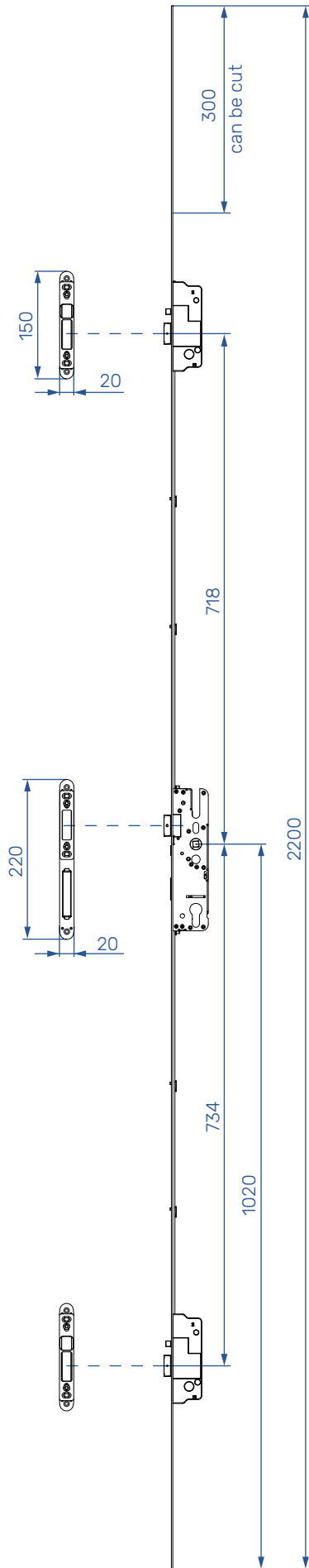
4 ARX SMART

SMART ACCESSORIES

PAGE 118



* SMART CLC DOOR LOCK - SEE 4



CL - ROLLING CAMS | PVC

4 rolling cams | 2200 mm

1 CL DOOR LOCK 4R

BS	HD	SPIN	FP	HH	PACK	MATERIAL
45	92	8	2 x 16	1020	220	1140218
55	92	8	2 x 16	1020	200	1140219
45	92	8	2 x 20	1020		1142793

2 CENTER LATCH KEEP ¹⁾

FP	POS	PACK	MATERIAL
U27 x 7,5	L	50	1098433
U27 x 7,5	R	50	1098432

3 STRIKERS

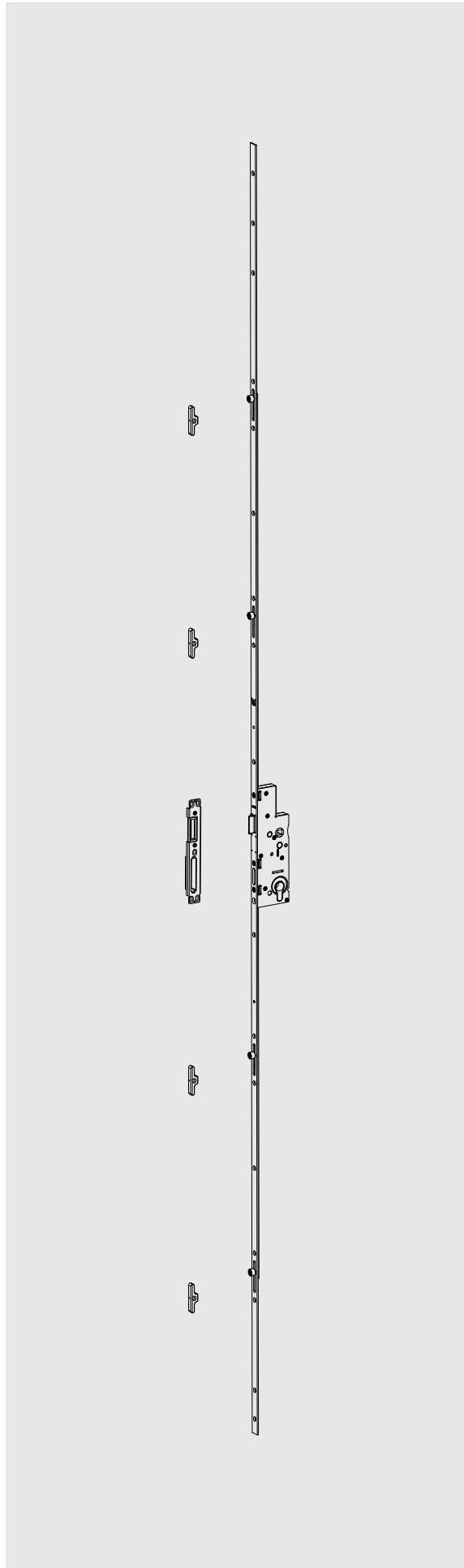
STRIKER

[PAGE 129](#)

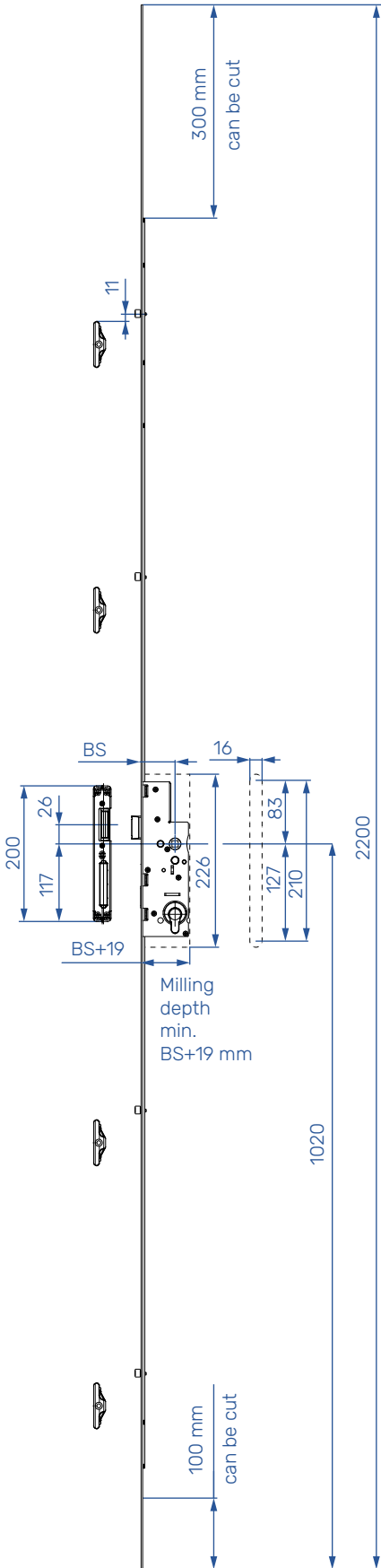
4 PACKERS

CENTER LATCH KEEP PACKER

[PAGE 128](#)



¹⁾ WITHOUT PACKERS - SEE [4](#)



CL - ROLLING CAMS AND HOOKS | PVC

4 rolling cams and 2 hooks | 2200 mm

1 CL DOOR LOCK 4R 2H

BS	HD	SPIN	FP	HH	PACK	MATERIAL
45	92	8	2 x 16	1020	220	1140220
55	92	8	2 x 16	1020	200	1140221

2 CENTER LATCH KEEP ¹⁾

FP	POS	PACK	MATERIAL
U27 x 7,5	L	50	1098433
U27 x 7,5	R	50	1098432

3 HOOK KEEP ¹⁾

FP	PACK	MATERIAL
U27 x 7,5	100	1098434

4 STRIKERS

STRIKER

[PAGE 129](#)

5 ONE PIECE STRIKER ¹⁾

FP	POS	PACK	MATERIAL
U35 x 7,5	L	10	1104668
U35 x 7,5	R	10	1104669

6 PACKERS

CENTER LATCH KEEP PACKERS

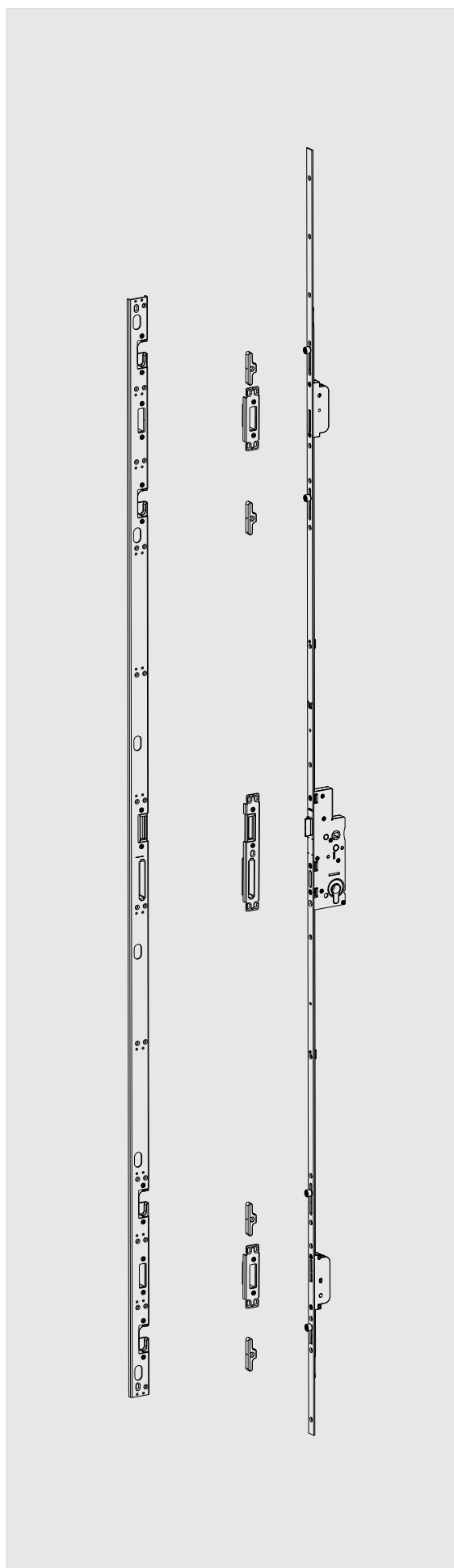
[PAGE 128](#)

HOOK KEEP PACKERS

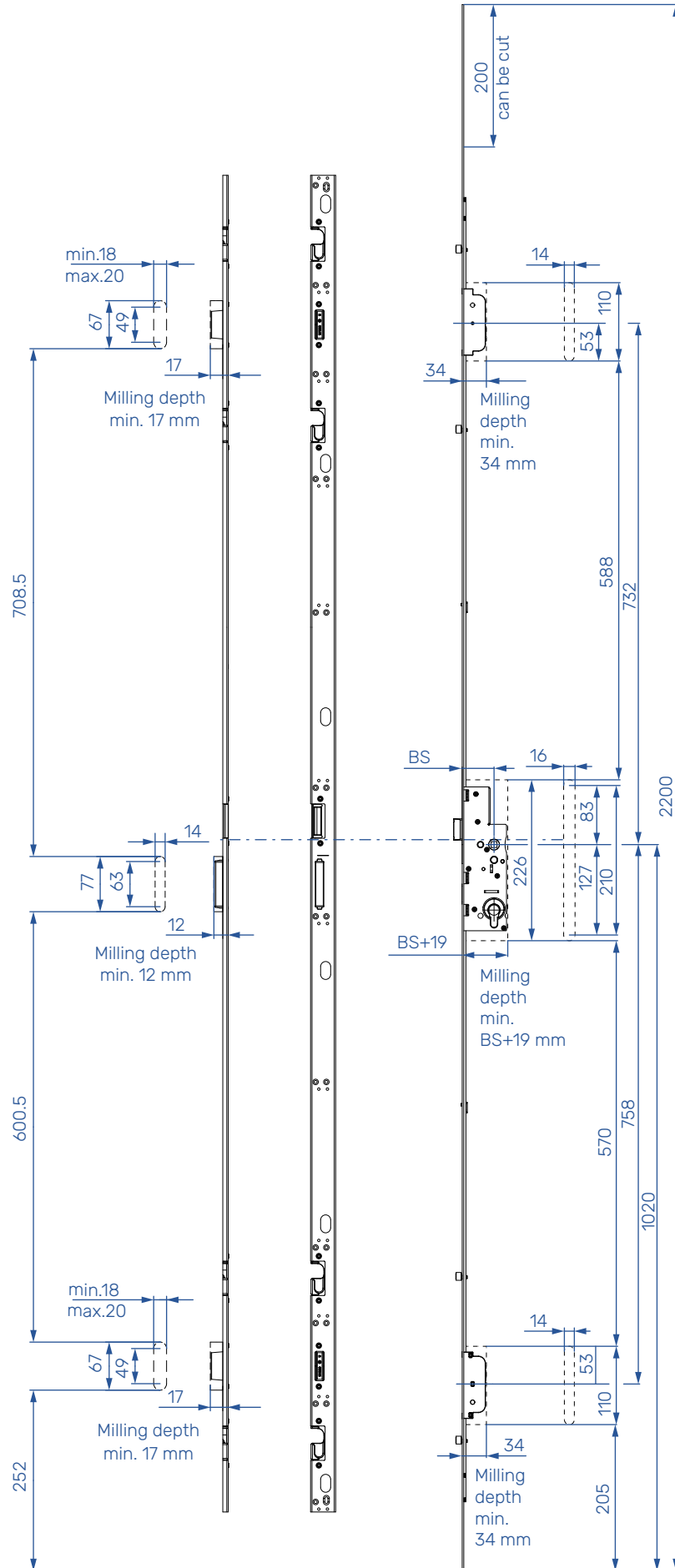
[PAGE 128](#)

ONE PIECE STRIKER HL PACKERS

[PAGE 130](#)



¹⁾ WITHOUT PACKERS - SEE **6**



1 CLP DOOR LOCK

BS	HD	SPIN	FP	HH	PACK	MATERIAL
35	92	8	2 x 16	•	15	1117811
45	92	8	2 x 16	•	15	1117813

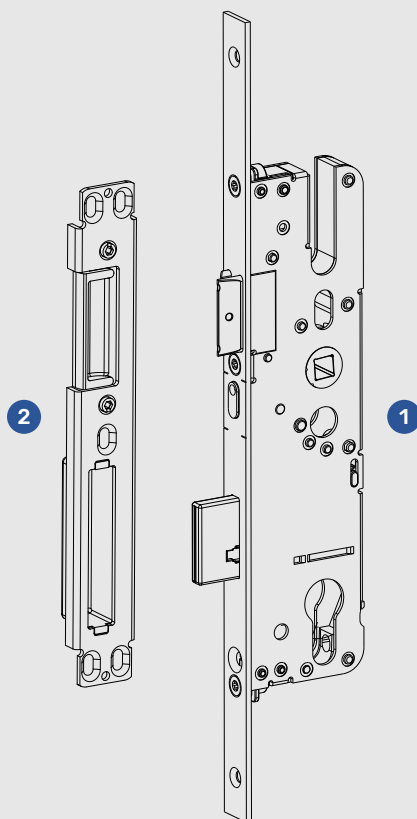
2 CENTER LATCH KEEP ¹⁾

FP	POS	PACK	MATERIAL
U27 x 7,5	L	50	1098433
U27 x 7,5	R	50	1098432

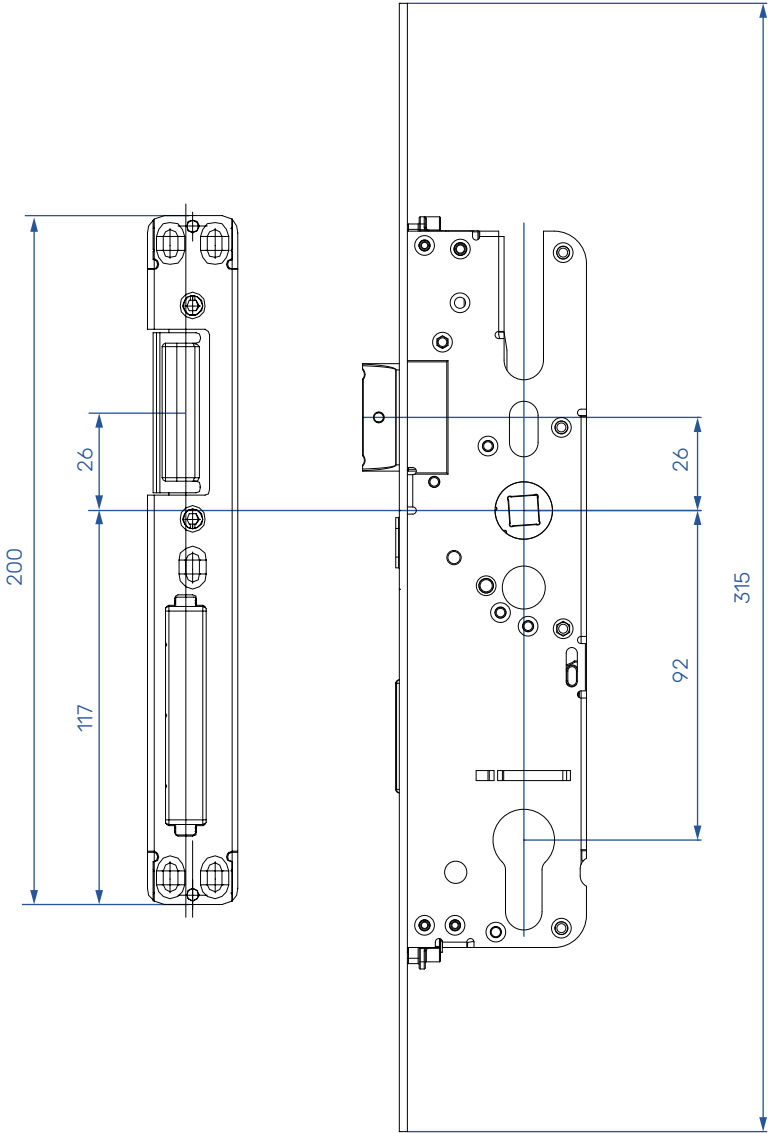
3 PACKERS

CENTER LATCH KEEP PACKER

[PAGE 128](#)



¹⁾ WITHOUT PACKERS - SEE [3](#)



1 CLP DOOR LOCK DRF

BS	HD	SPIN	FP	HH	PACK	MATERIAL
35	92	8	2 x 16	•	15	1131084
45	92	8	2 x 16	•	15	1131086

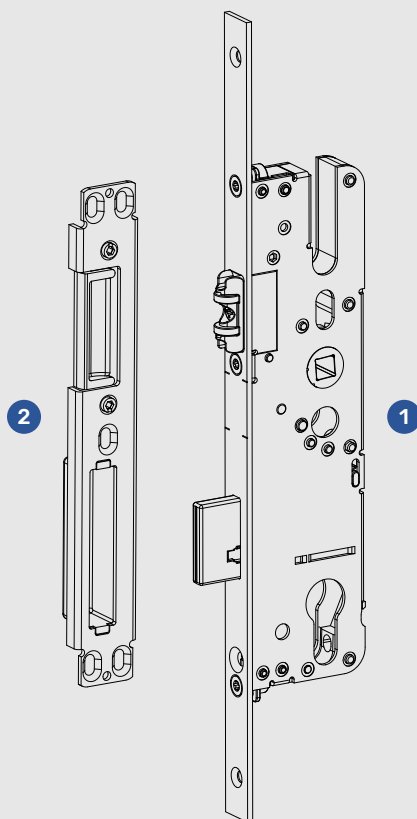
2 CENTER LATCH KEEP ¹⁾

FP	POS	PACK	MATERIAL
U27 x 7,5	L	50	1131088
U27 x 7,5	R	50	1131087

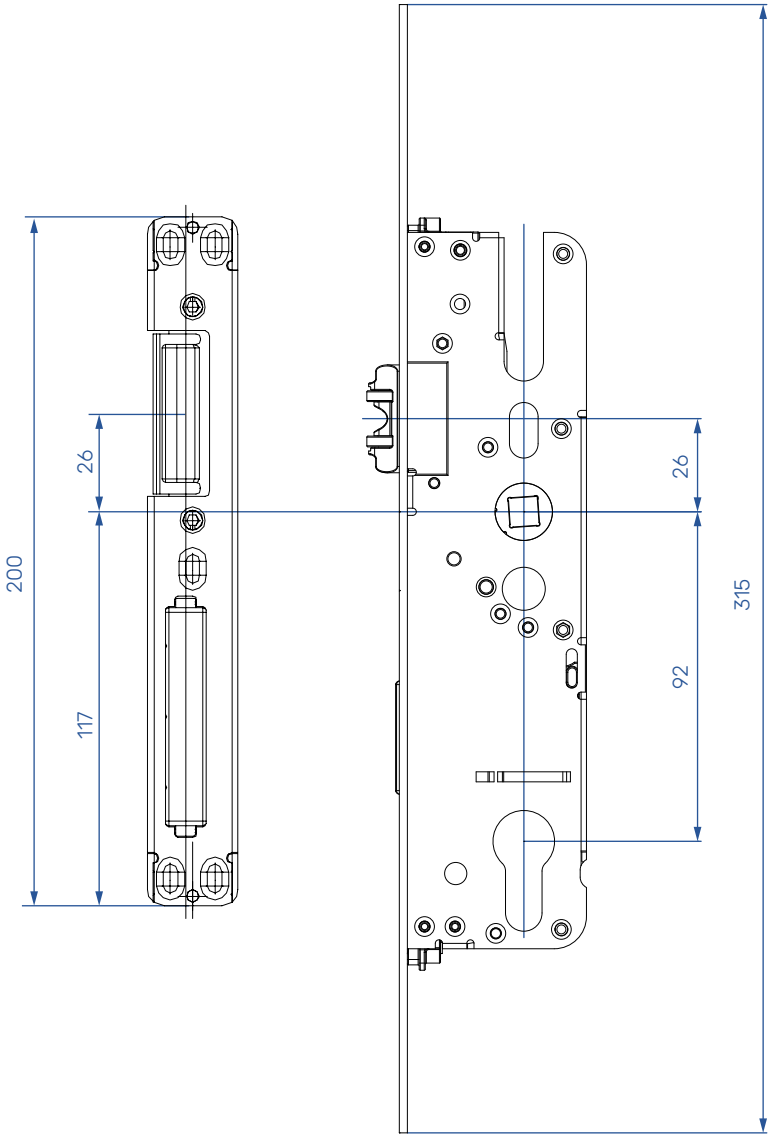
3 PACKERS

CENTER LATCH KEEP PACKER

[PAGE 128](#)



¹⁾ WITHOUT PACKERS - SEE **3**



CLP | PVC

240 mm

1 CLP DOOR LOCK

BS	HD	SPIN	FP	HH	PACK	MATERIAL
25	92	8	2 x 16	•	15	1133511

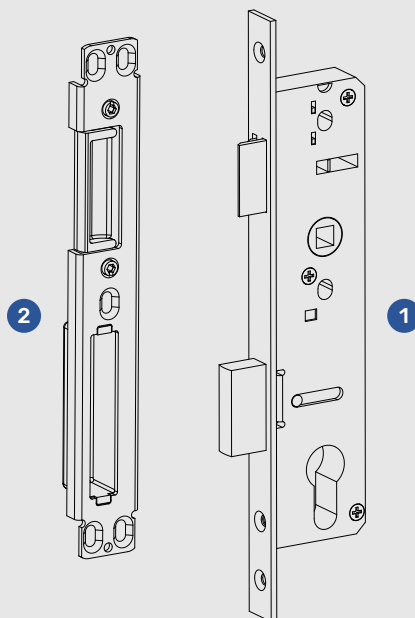
2 CENTER LATCH KEEP ¹⁾

FP	POS	PACK	MATERIAL
U27 x 7,5	L	50	1098433
U27 x 7,5	R	50	1098432

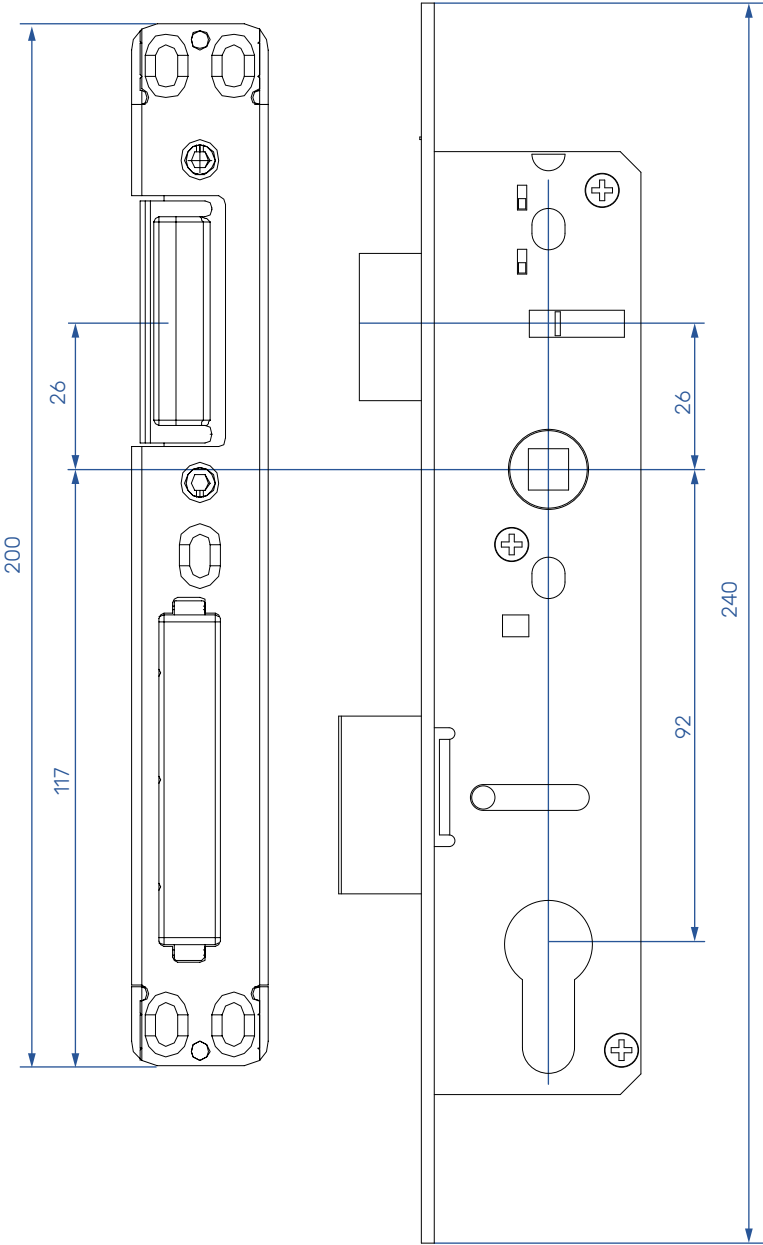
3 PACKERS

CENTER LATCH KEEP PACKER

[PAGE 128](#)



¹⁾ WITHOUT PACKERS - SEE [3](#)



CLP | ALU GROOVE

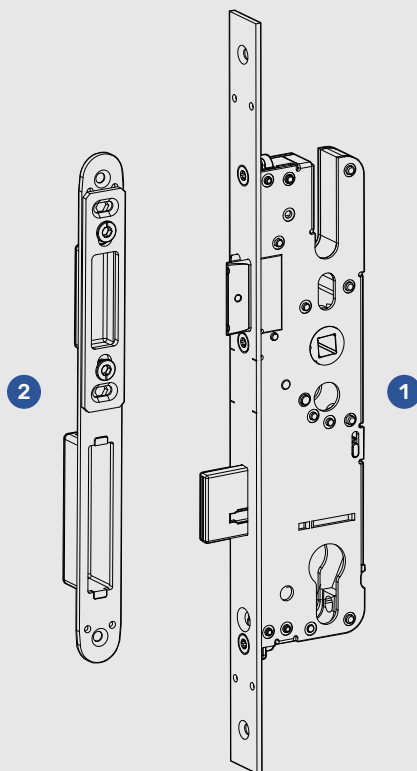
315 mm

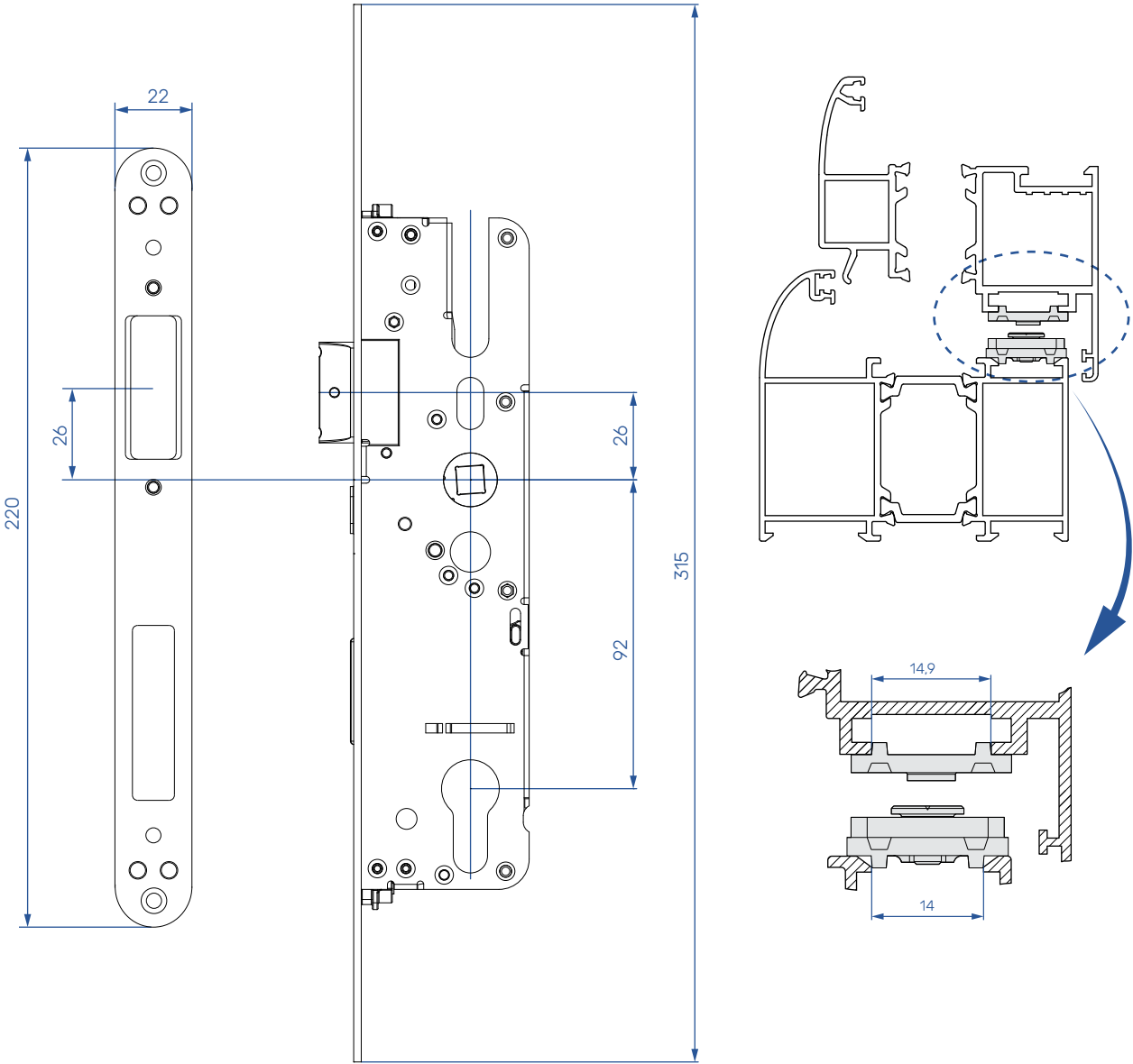
1 CLP DOOR LOCK ALU

BS	HD	SPIN	FP	HH	PACK	MATERIAL
35	92	8	2 x 22	•	15	1123111

2 CENTER LATCH KEEP ALU ¹⁾

FP	PACK	MATERIAL
2 x 22	50	1114132





STABLE DOOR - HOOKS

1094 mm | Two part lock

1 HL DOOR LOCK SD-U 1H

BS	HD	SPIN	FP	HH	PACK	MATERIAL
35	92	8	2 x 16	•	50	1120078

2 CL DOOR LOCK SD-B 1H

BS	HD	SPIN	FP	HH	PACK	MATERIAL
35	92	8	2 x 16	•	50	1120077

3 CENTER LATCH KEEP ¹⁾

FP	POS	PACK	MATERIAL
U27 x 7,5	L	50	1098433
U27 x 7,5	R	50	1098432

4 HOOK KEEP ¹⁾

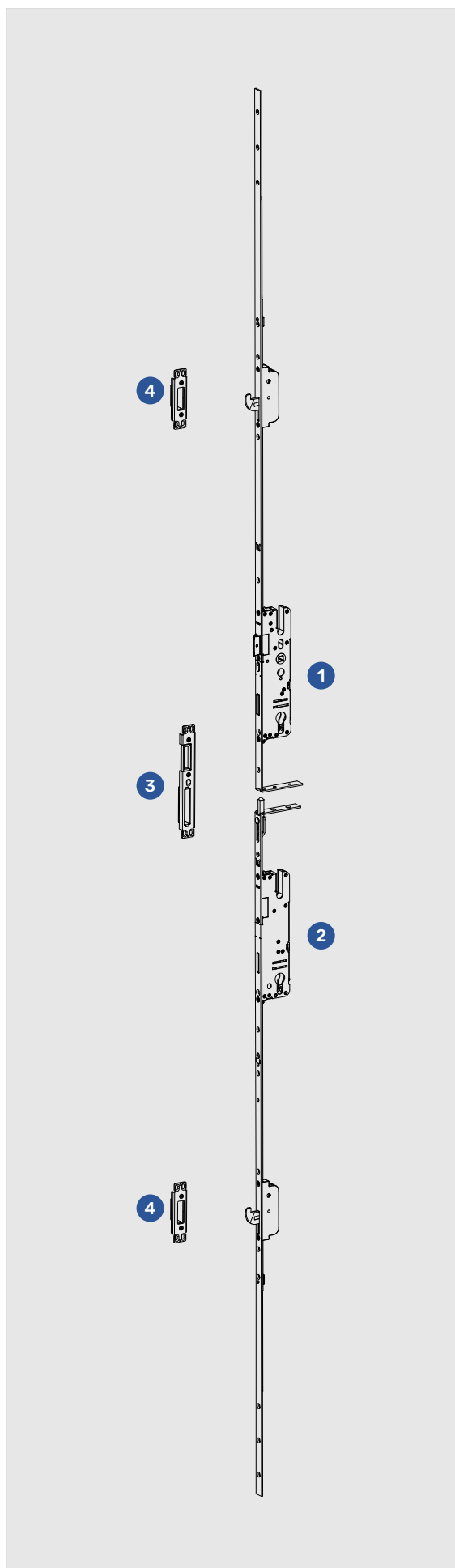
FP	PACK	MATERIAL
U27 x 7,5	100	1098434

5 PACKER

CENTER LATCH KEEP PACKER
CENTER HOOK KEEP PACKER

[PAGE 128](#)

[PAGE 128](#)



¹⁾ WITHOUT PACKERS - SEE **5**

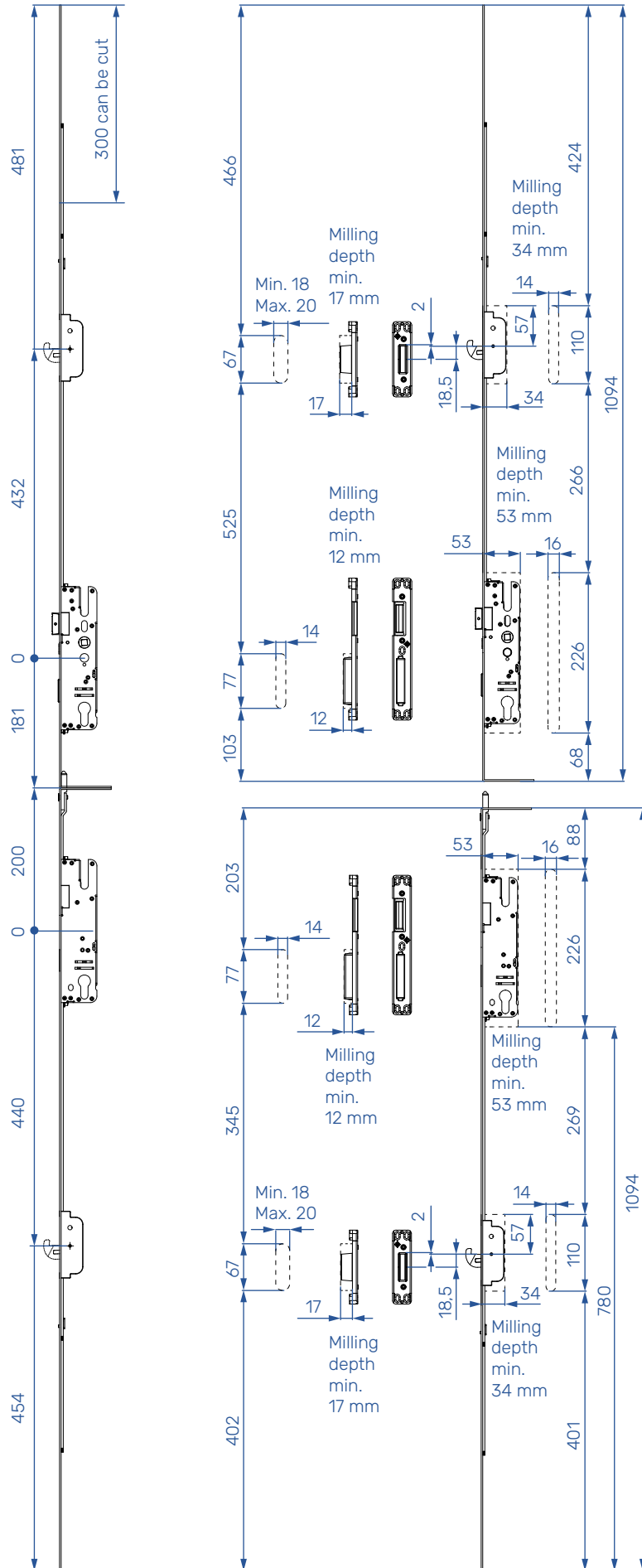


EXHIBIT LOCKS AND STANDS

Height of locks: 1000 mm

1 CLC DOOR LOCK 2LB

BS	HD	SPIN	FP	HH	PACK	MATERIAL
35	92	8	2 x 16	515	1	1117955

2 CLC DOOR LOCK 2LB with DRF

BS	HD	SPIN	FP	HH	PACK	MATERIAL
35	92	8	2 x 20	669	1	1136825

3 CLA DOOR LOCK 2R 1H

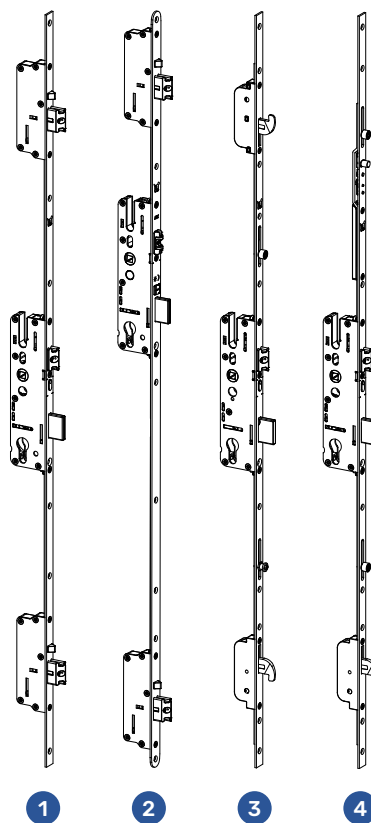
BS	HD	SPIN	FP	HH	PACK	MATERIAL
35	92	8	2 x 16	515	1	1126242

4 HL DOOR LOCK 1 R 1RS 2H

BS	HD	SPIN	FP	HH	PACK	MATERIAL
35	92	8	2 x 16	515	1	1111012

5 EXHIBIT STAND SETS ¹⁾²⁾

LOCK	SMART	PACK	MATERIAL
CLC	no	1	1133627
CLA	no	1	1133628
HL	no	1	1133629



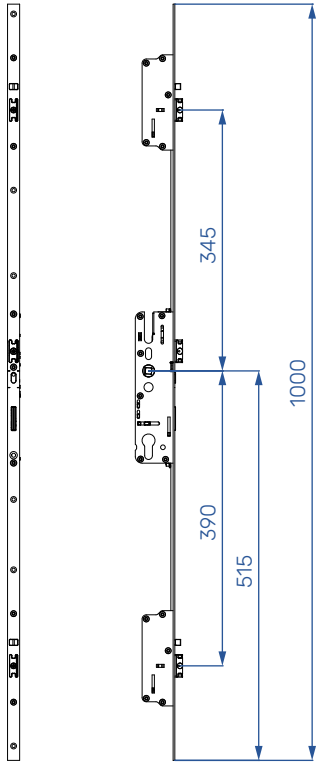
* THE PICTURE IS SYMBOLIC

¹⁾ STAND INCLUDES WOODEN STAND, DOOR LOCK, PROFILE CYLINDER and DOOR HANDLE.

²⁾ STAND'S MASS = 8 kg.

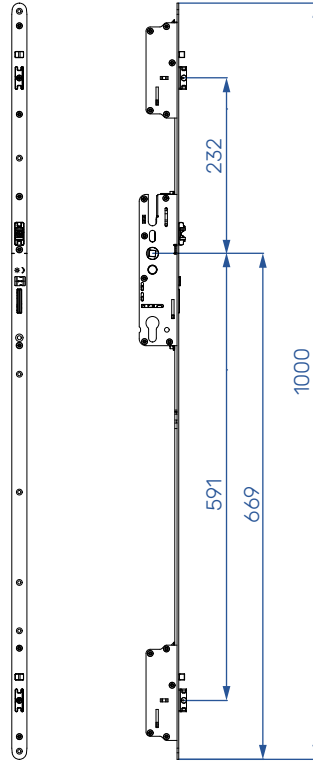
1

**CYLINDER LOCK
COMFORT - CLC**



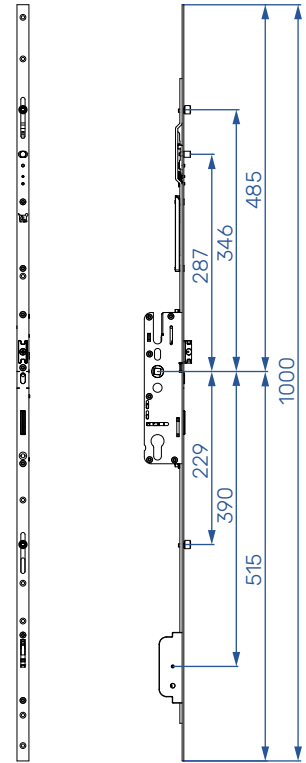
2

**CYLINDER LOCK
COMFORT with
DRF - CLC DRF**



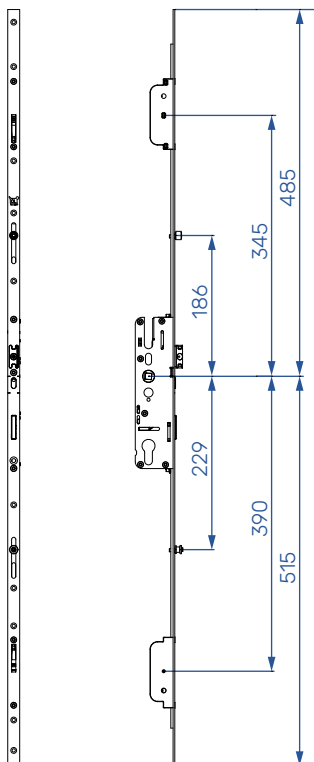
3

**CYLINDER LOCK
AUTOMATIC - CLA**

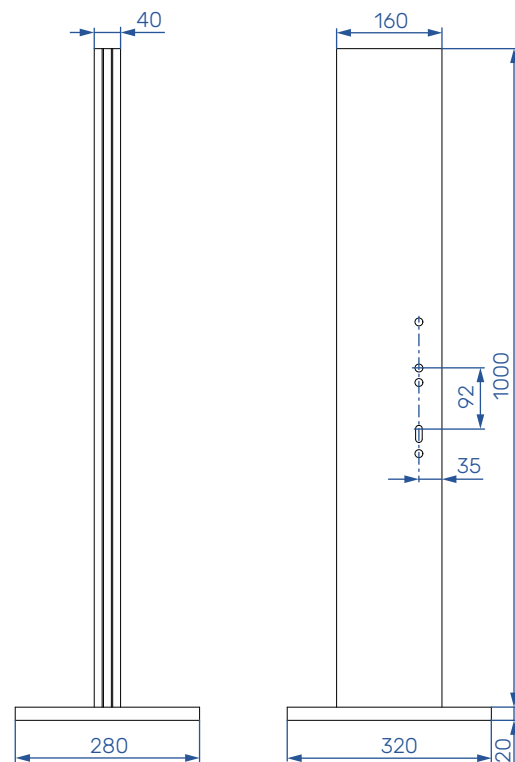


4

HANDLE LOCK - HL

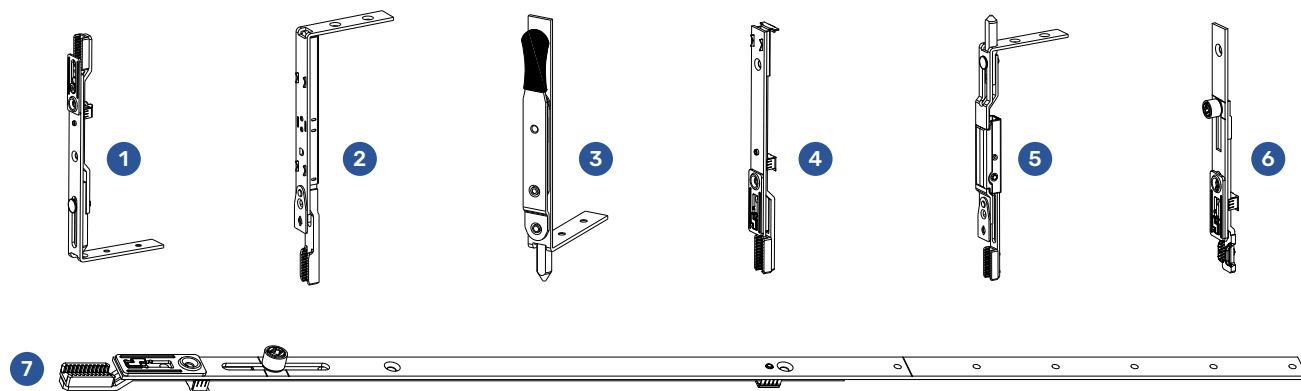


**DOOR STAND -
WITHOUT ANY COMPONENTS**



ADDITIONAL PARTS

SHOOTBOLTS AND EXTENSIONS



SHOOTBOLT

TYPE	LENGTH	LATCH THROW / CAM	RA	PACK	MATERIAL
1	140	23,5	NO	100	1102206
2	135	20	YES	100	1102205
3	150	23,5	NO	50	1101899
	250				1139891
	350				1139892
	450				1139893
4	140	14	NO	100	1106210
5	140	23,5	YES	100	1135332
6	140	1R	NO	100	1135927

EXTENSION

TYPE	LENGTH	CAM	PACK	MATERIAL
7	400	/	10	1130397
	400	1 R	10	1102897
	600	1 R	10	1102898



Smart systems

Smart components for door locks
Detailed information

About



EASY
TO USE



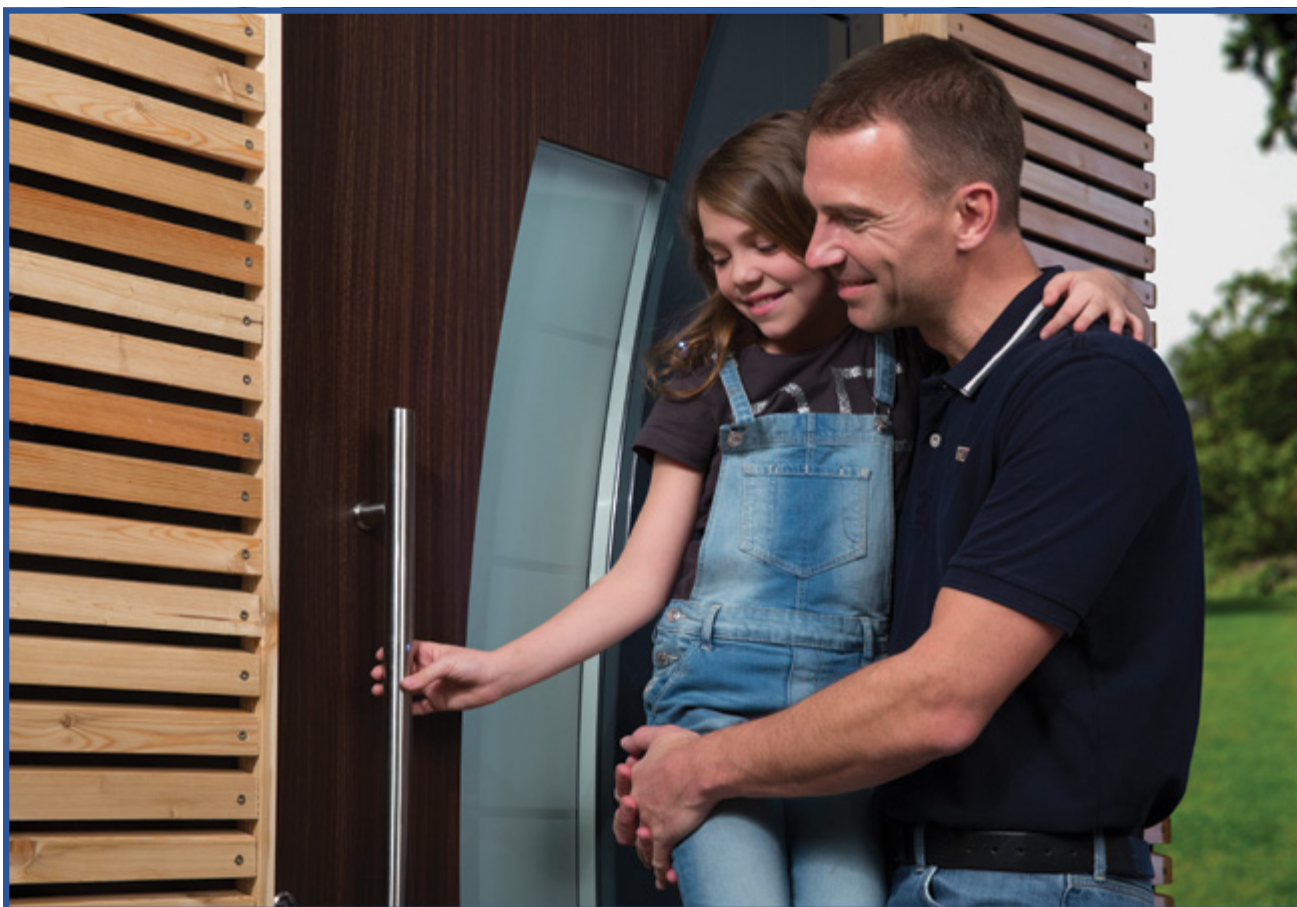
WI-FI
CONNECTION



SAFE AND
CONVENIENT

iRX biometrics offers one of the best biometric access control devices on the market. Devices are mainly used for private use and small companies.

iRX biometrics products are only CLC door lock compatible.



Products

BAR HANDLES WITH FINGERPRINT READER:

- Rectangle shaped bar handle,
- Round shaped bar handle,
- Round shaped bar handle with 45° offset holders.



CONTROL UNITS WITH CABLE TRANSFERS



TOUCHPADS AND FINGERPRINT SCANNERS



DIFFERENT CONNECTION CABLES



POWER SUPPLIES



OTHER SMART ACCESSORIES:

- Electric motors,
- Smart cylinders with fingerprint scanners,
- Smart stands for exhibitions.

Some control units and bar handles are available in WI-FI versions which in comparison with standard version, offer additional functions such as; LARGER fingerprint capacity, LARGER list of admins, history of events, free pass mode etc.

SMART ACCESSORIES

Portfolio

1 R7 RECTANGLE BAR HANDLE with FINGERPRINT SCANNER

L	W	H	P	X	PACK	MATERIAL
600	40	20	400	200	1	1133507
1000	40	20	800	240	1	1137127
1500	40	20	1400	540	1	1137128

2 R7 ROUND BAR HANDLE 90° with FINGERPRINT SCANNER

∅	H	P	X	POS	PACK	MATERIAL
30	600	400	200	/	1	1137129
30	1000	800	240	/	1	1137130
30	1800	1400	540	/	1	1137131

3 R7 ROUND BAR HANDLE 45° with FINGERPRINT SCANNER

∅	H	P	X	POS	PACK	MATERIAL
30	600	400	200	L	1	1137132
30	1000	800	240	L	1	1137133
30	1800	1400	540	L	1	1137134
30	600	400	200	R	1	1137135
30	1000	800	240	R	1	1137136
30	1800	1400	540	R	1	1137137

4 R7 TOUCHPAD SB

ADMIN MEMORY	MEMORY	PACK	MATERIAL
1	100	1	1142834

5 R7 FINGERPRINT SCANNER - built-in

ADMINISTRATORS	MEMORY	PACK	MATERIAL
3	166	1	1133501

6 R7 CONTROL UNIT

Description	PACK	MATERIAL
CONTROL UNIT WITH CABLE TRANSFER	1	1133502

7 CABLE TRANSFER

CABLE TRANSFER with CONNECTORS 1138399

8 POWER SUPPLY

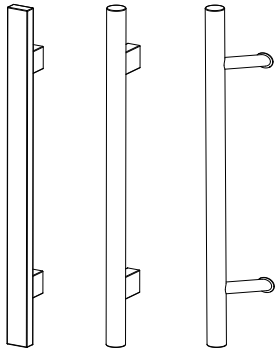
POWER SUPPLY DIN 12 V, 2 A 1134750

9 ELECTRIC MOTOR

ELECTRIC MOTOR 1133509

10 CABLES

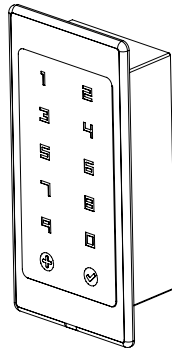
Y YELLOW CABLE (Y = 10 cm + 2 x 10 cm) 1142831
 YELLOW CABLE (350 cm) 1133504
 RED CABLE (350 cm) 1133503



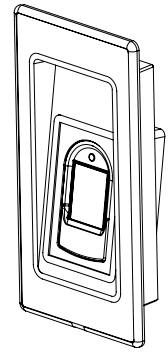
1

2

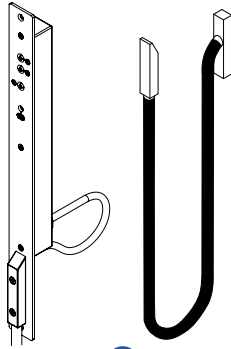
3



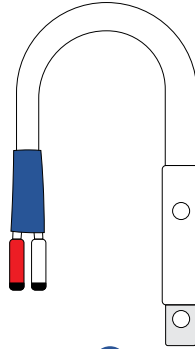
4



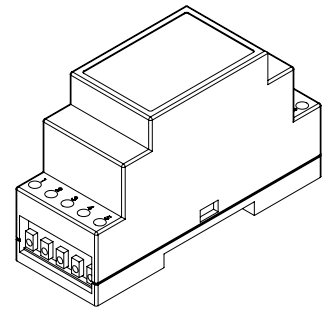
5



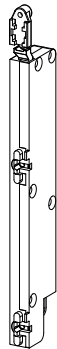
6



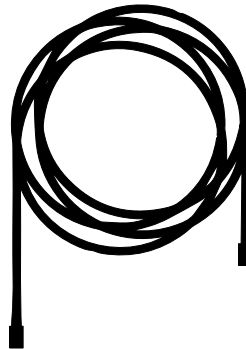
7



8



9

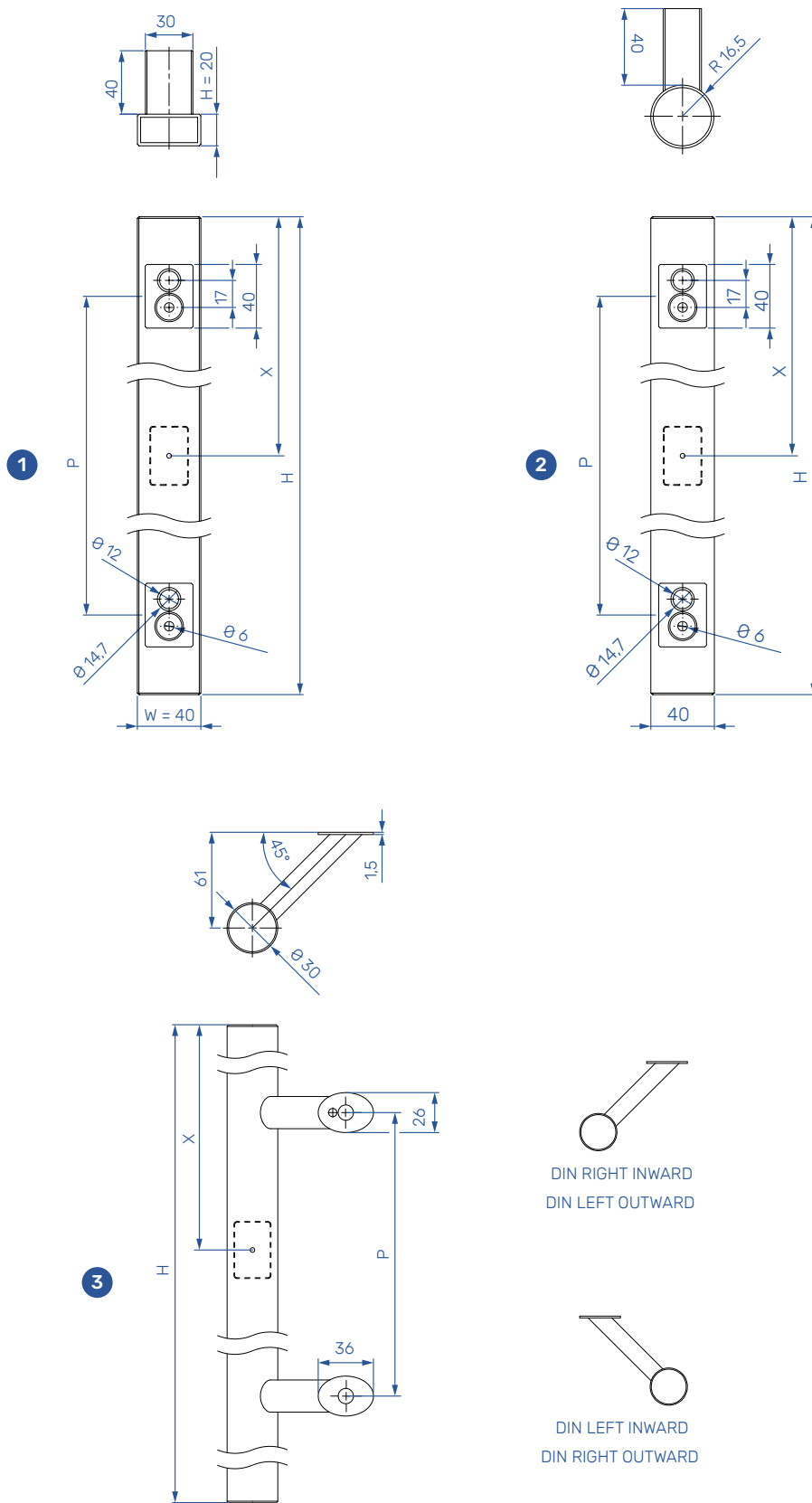


10

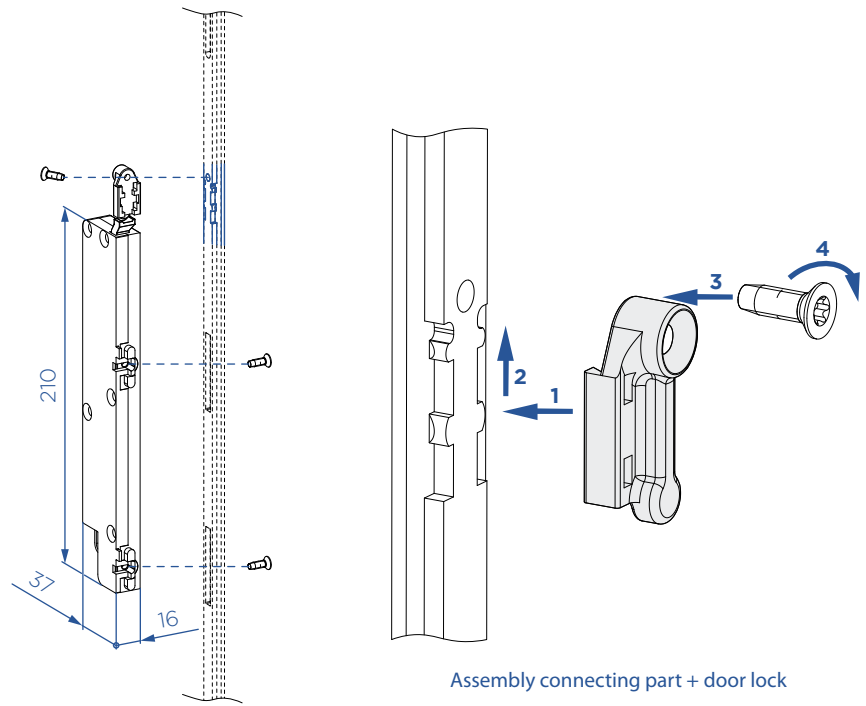
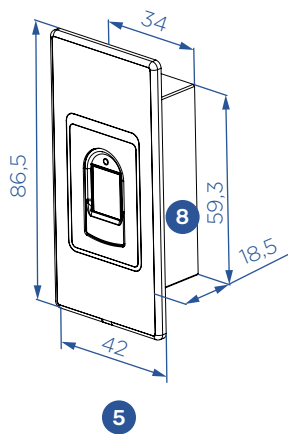
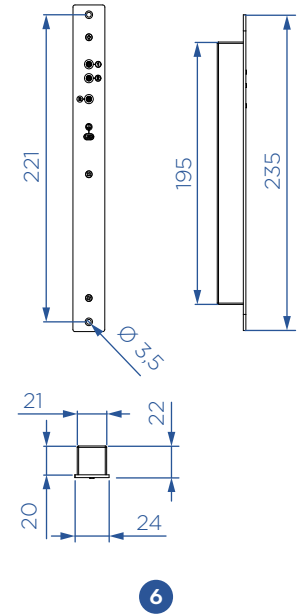
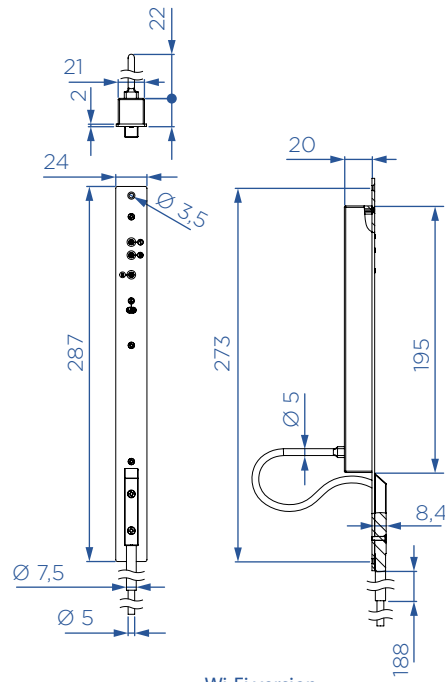
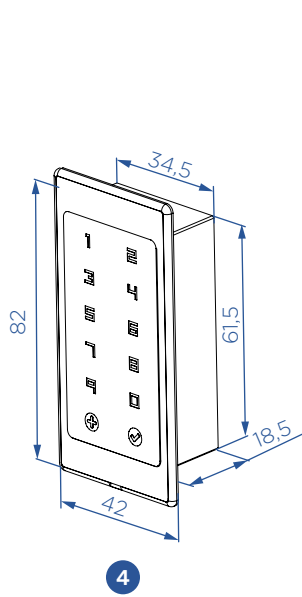
SMART ACCESSORIES

Technical details

R7 BAR HANDLES with FINGERPRINT SCANNER



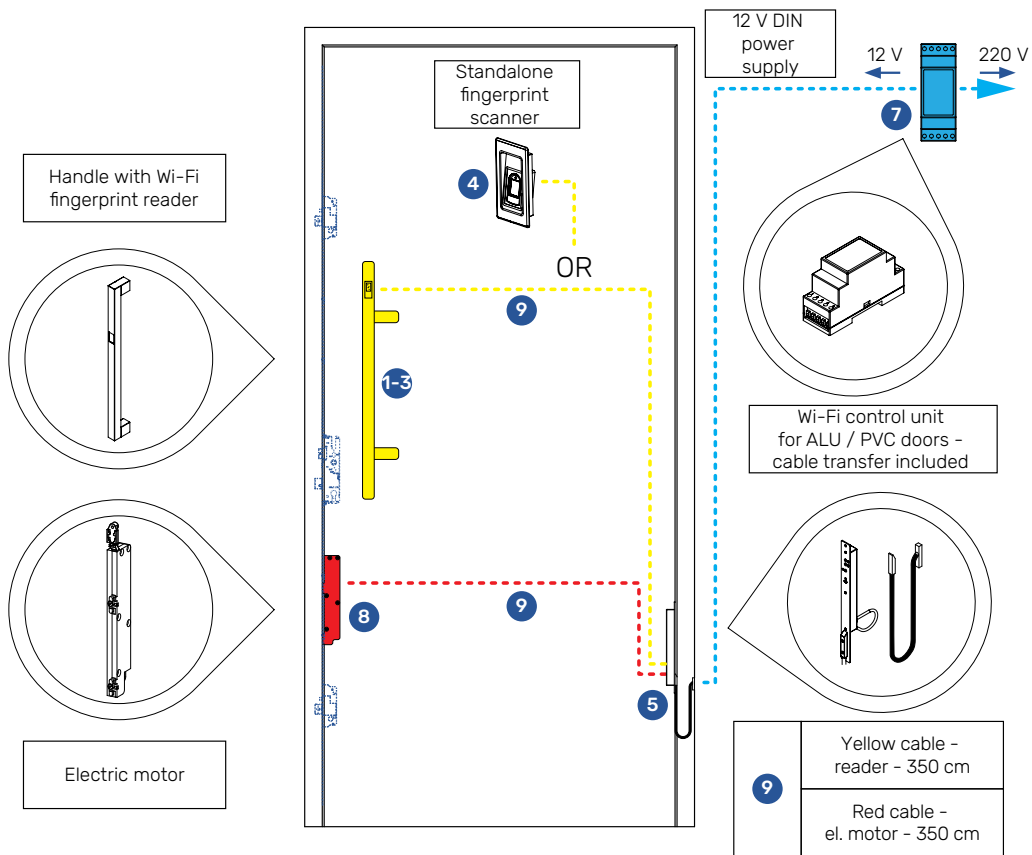
OTHER PARTS



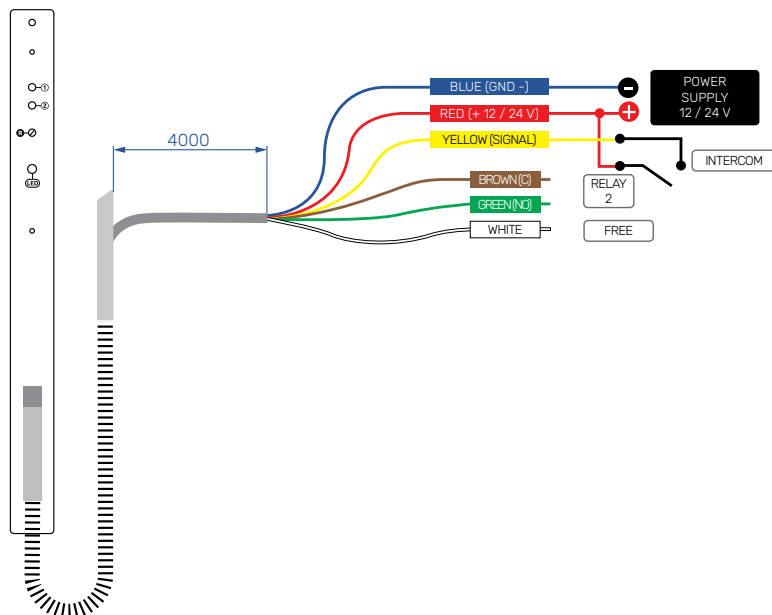
SMART ACCESSORIES

Connection diagrams

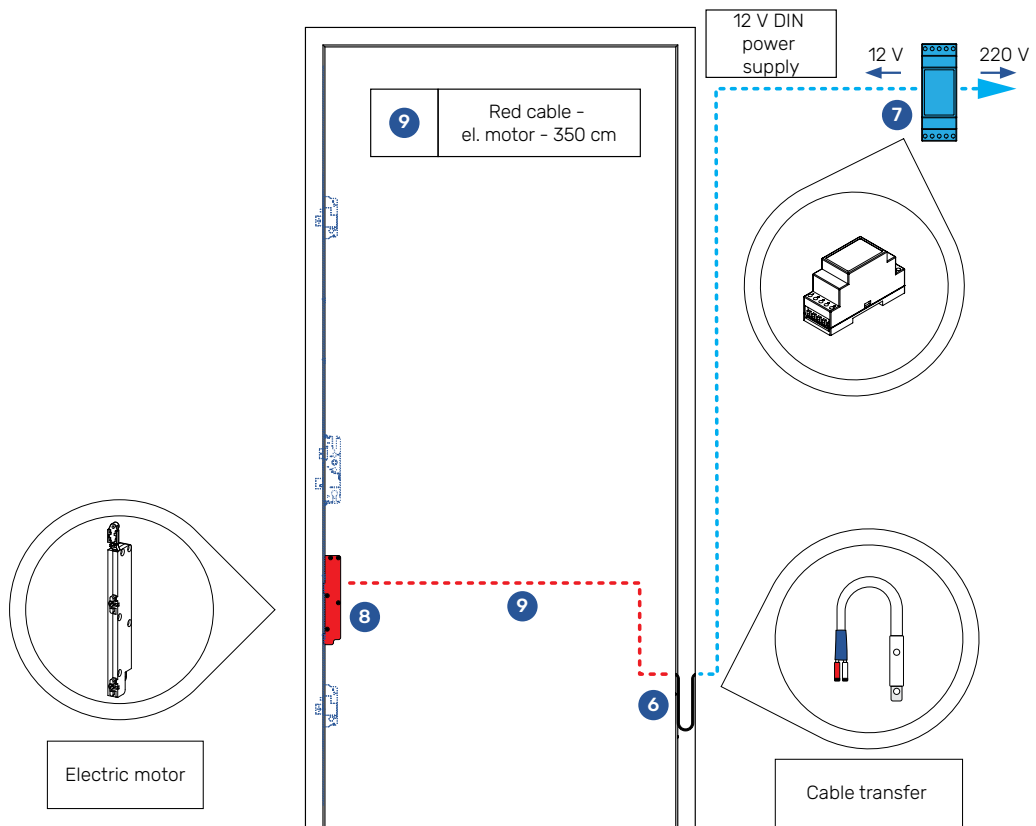
INSTALLATION IN DOOR LEAF CONNECTION DIAGRAM



CONTROL UNIT CONNECTION DIAGRAM



INTERCOM CONNECTION DIAGRAM



CABLE TRANSFER CONNECTION DIAGRAM

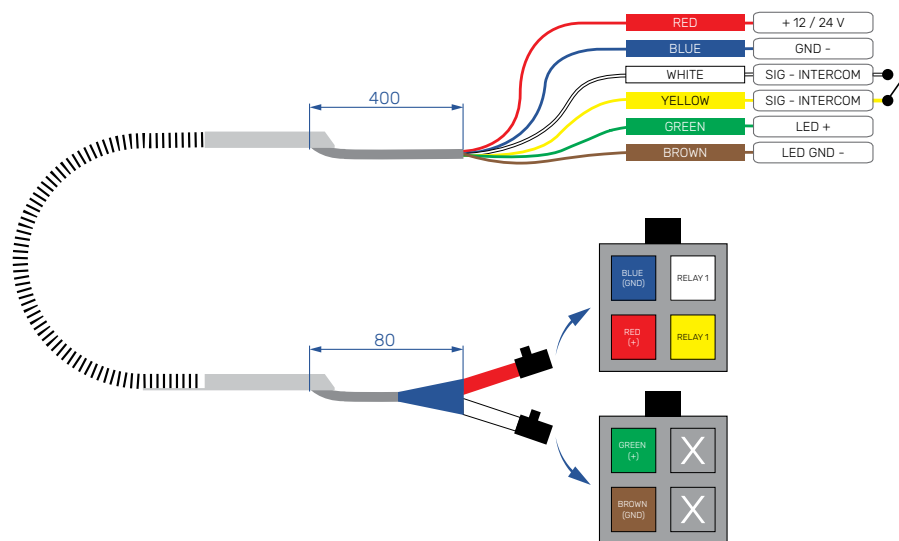
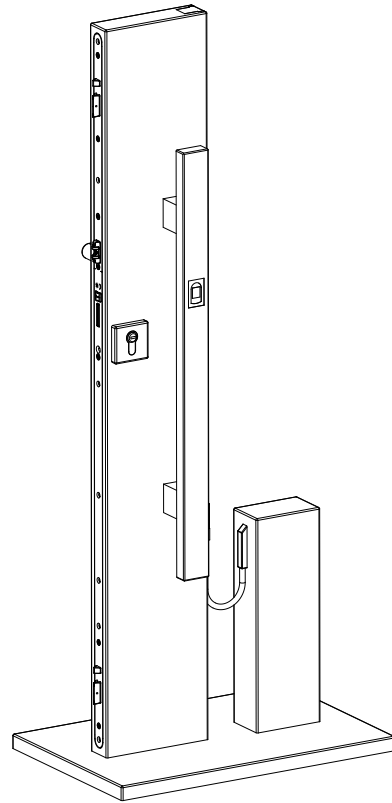
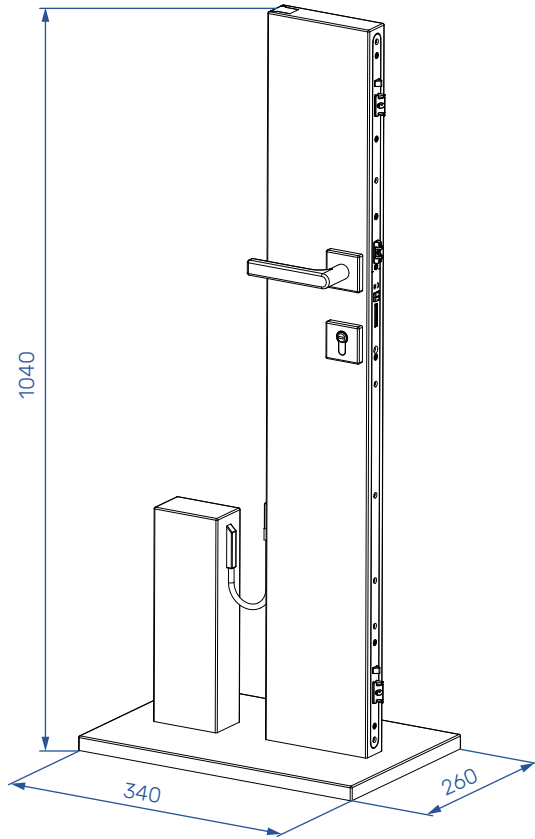


EXHIBIT SMART STAND

Height of lock: 1000 mm

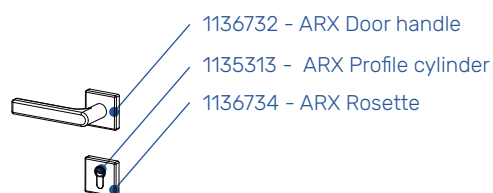
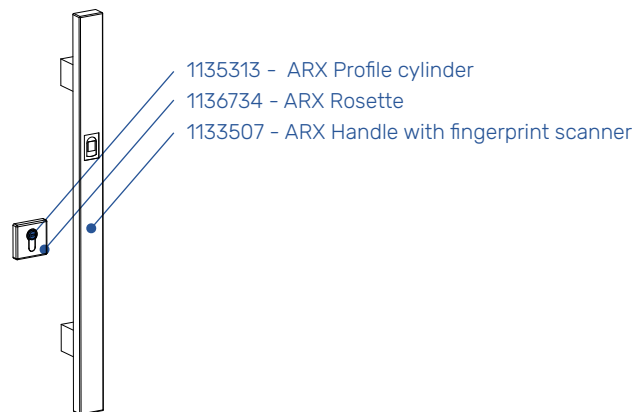
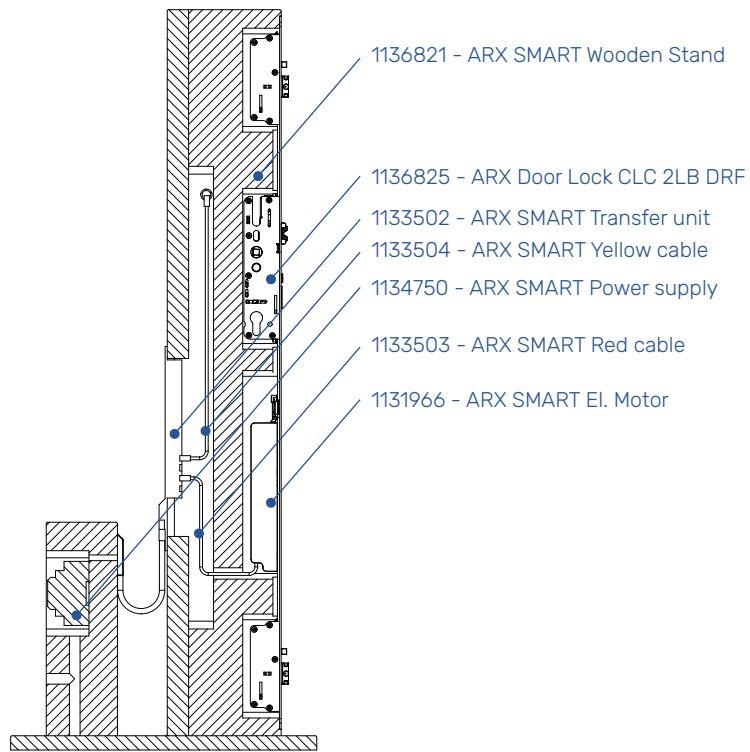
1 EXHIBIT SMART STAND SET ¹⁾

LOCK	SMART	PACK	MATERIAL
CLC with DRF	yes	1	1136822



¹⁾ SMART STAND'S MASS = 15 kg

1136822 - ARX EXHIBIT SMART STAND SET



SMART PROFILE CYLINDER

SMART cylinder with fingerprint scanner

SMART	PACK	MATERIAL
yes	1	1133428



- * MEMORY SIZE: 999 fingerprints,
- * OPERATING TEMPERATURE: -40°C to 80°C,
- * BATTERY: 3x AAA 1,5 V,
- * BATTERY LIFE: ca. 1 year,
- * PROTECTION CLASS: IP44,
- * DOORKNOBS: outside Ø 46 mm, inside Ø 36 mm,
- * LENGTH: adjustable 70 - 120 mm,
- * COLOR / MATERIAL: stainless steel,
- * No need for replacing any of existing door parts,
- * Remote opening up to 10 m via ARX remote control or ARX Wireless switch.

Battery operated iRX Smart Home fingerprint cylinder enables you to lock and unlock your doors by means of fingerprints. The installation of this product is easy; simply change the existing key-lock cylinder for the iRX Smart Home fingerprint cylinder. There is absolutely no need to replace any of existing doors. The length of the cylinder can be adjusted to fit a wide field of different doors, thus it can be easily reused. The fingerprint is simply held in front of the reader on the doorknob and upon identification the door unlocks or locks itself. The cylinder can also be opened from a distance of up to 10 meters via Remote Control or the Wireless Switch.

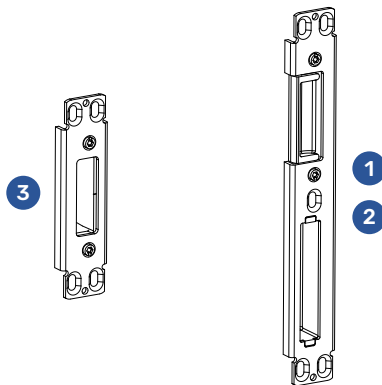


Frame parts

Strikers, gearboxes etc.
Detailed information

FRAME PARTS | PVC

U27 faceplate



1 CENTER LATCH KEEP

POS	PACKERS	PACK	MATERIAL
R	2	50	1098432
L	2	50	1098433

2 CENTER LATCH KEEP RF

POS	PACKERS	PACK	MATERIAL
R	2	50	1131087
L	2	50	1131088

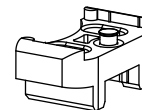
3 HOOK KEEP

LOCK	PACKERS	PACK	MATERIAL
1H	2	100	1098434

PACKERS for FRAME PARTS U27

U27 PACKERS	PACK	MATERIAL
Opposing Hardware Groove - UP	100	1127792
Opposing Hardware Groove - DOWN	100	1127791
ALPHACAN 70	100	1100961
ALUPLAST 2000 / 3000	100	1127794
ALUPLAST 4000	100	1106110
CAS. CT70	100	1115072
GEALAN 8000 / S9000	100	1127795
INOUSIC ELEGANT	100	1133248
INOUSIC Prestige - UP	100	1128329
INOUSIC Prestige - DOWN	100	1128330
PEŠTAN S509 - UP	100	1100965
PEŠTAN S509 - DOWN	100	1100966
PROFINE KBE 76 / 70AD	100	1127798
PROFINE KÖMMERLING EUROFUTUR	100	1127790
PROFINE TROCAL 70.A5 AD / 70.M5 MD	100	1127799
REHAU Geneo / S706 / S730	100	1127801
ROLOPLAST 7000 / 7500 / 7500 3D	100	1127793
ROPLASTO	100	1127803
SALAMANDER 2D / 3D / Streamline 76	100	1127802
SCHÜCO Corona AD / CT70 AD or MD / S182 MD	100	1127794
VEKA Matrix / Softline / Sofline 82 / Topline	100	1127800
WINTTECH W 640 Z	100	1127800

PACKER U27

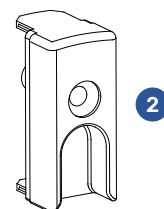
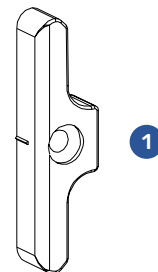


FRAME PARTS | PVC

Strikers

STANDARD STRIKERS

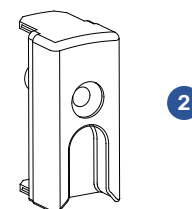
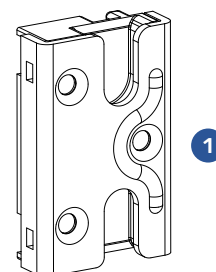
TYPE	STRIKER	PACK	MATERIAL
1	ALPHACAN 70	300	1083205
	ALUPLAST 2000 / 3000 / 4000	300	1083204
	BRUGMANN BluEvolution	300	1083202
	DECEUNINCK 2500 / 2800	300	1083206
	EUROCELL Modus	300	1107664
	GEALAN 8000 / S9000	300	1083203
	INOUTIC Prestige	300	1083206
	LINIAR	300	1097948
	OPTIMA Profile 22	300	1083205
	PEŠTAN S509	300	1083205
	PROFINE KBE 76 / 70AD	300	1083205
	PROFINE KÖMMERLING Eurofutur / C70 / 76 MD	300	1083205
	PROFINE TROCAL 70.A5 AD / 70.M5 MD	300	1083205
	REHAU Geneo / Synego / S706 / S730	300	1083204
	ROLOPLAST 7000 / 7500 / 7500 3D	300	1083204
	ROPLASTO 7001 AD	300	1083204
	SALAMANDER 3D / Streamline 76	300	1083204
	SCHÜCO Corona AD / CT70 AD or MD / S182 MD	300	1083204
	SELECTA Advance 70	300	1083205
	VEKA Matrix / Softline / Softline 82 / Topline	300	1083202
	VUJIC 7000 / 8000	300	1097948
WEISS WP3000 / WP4000 / WP5000	300	1083204	
WHS Halo System 10	300	1083204	



TYPE	OHG STRIKER	PACK	MATERIAL
2	OHG STRIKER	300	1083207

SECURITY STRIKERS

TYPE	SECURITY STRIKER	PACK	MATERIAL
1	ALUPLAST 2000 / 3000	300	1083219
	ALUPLAST 4000	300	1083216
	BRUGMANN BluEvolution	300	1083214
	DECEUNINCK 2500 / 2800	300	1083218
	EUROCELL Modus	300	1083217
	GEALAN 8000 / S9000	300	1083217
	INOUTIC Prestige	300	1083218
	LINIAR	300	1083214
	OPTIMA Profile 22	300	1118836
	PROFINE KBE 76 / 70AD	300	1083217
	PROFINE KÖMMERLING Eurofutur	300	1098310
	PROFINE KÖMMERLING C70 / 76 MD	300	1083217
	PROFINE TROCAL 70.A5 AD / 70.M5 MD	300	1083217
	REHAU Geneo / Synego / S706 / S730	300	1089625
	ROLOPLAST 7000 / 7500 / 7500 3D	300	1098609
	SALAMANDER 3D / Streamline 76	300	1098609
	SCHÜCO Corona AD / CT70 AD or MD / S182 MD	300	1083219
	SELECTA Advance 70	300	1083217
VEKA Matrix / Softline / Softline 82 / Topline	300	1083214	
WEISS WP3000 / WP4000 / WP5000	300	1083219	
WHS Halo System 10	300	1083216	



TYPE	OHG SECURITY STRIKER	PACK	MATERIAL
2	OHG SECURITY STRIKER	300	1066042

FRAME PARTS | PVC

U35 faceplate

1 HANDLE LOCK ONE PIECE STRIKER 4R 2H

LOCK	HEIGHT	POS	PACKERS	COVER CAPS	PACK	MATERIAL
4R 2H	1865	L	12	6	10	1104668
4R 2H	1865	R	12	6	10	1104669

2 HANDLE LOCK ONE PIECE STRIKER 4R 2H

LOCK	HEIGHT	POS	PACKERS	COVER CAPS	PACK	MATERIAL
4R 2H	1522	L	6	5	10	1134883
4R 2H	1522	R	6	5	10	1134884

3 CYLINDER LOCK AUTOMATIC ONE PIECE STRIKER 4R 2H

LOCK	HEIGHT	POS	PACKERS	COVER CAPS	PACK	MATERIAL
4R 2H	1865	L	12	6	10	1110628
4R 2H	1865	R	12	6	10	1110627

4 CYLINDER LOCK COMFORT ONE PIECE STRIKER 2LB

LOCK	HEIGHT	POS	PACKERS	COVER CAPS	PACK	MATERIAL
2LB	1585	L	8	2	10	114946
2LB	1585	R	8	2	10	114947
2LB with RF	1585	L	8	2	10	1133608
2LB with RF	1585	R	8	2	10	1133609

5 CYLINDER LOCK COMFORT ONE PIECE STRIKER 2AH

LOCK	HEIGHT	POS	PACKERS	COVER CAPS	PACK	MATERIAL
2AH	1585	L	8	2	10	1136735
2AH	1585	R	8	2	10	1136736
2LB with RF	1585	L	8	2	10	1136737
2LB with RF	1585	R	8	2	10	1136738

6 CYLINDER LOCK COMFORT ONE PIECE STRIKER 1LB

LOCK	HEIGHT	POS	PACKERS	COVER CAPS	PACK	MATERIAL
1LB	1380	L	8	2	10	1141951
1LB	1380	R	8	2	10	1141952

7 CYLINDER LOCK COMFORT ONE PIECE STRIKER - SHOOTBOLT WITH LEVER 1LB

LOCK	HEIGHT	POS	PACKERS	COVER CAPS	PACK	MATERIAL
1LB	220	L	1	/	10	1141947
1LB	220	R	1	/	10	1141948
1LB	600	L	1	/	10	1141949
1LB	600	R	1	/	10	1141950

8 CENTER LATCH KEEP

POS	PACKERS	PACK	MATERIAL
L	2	50	1132341
R	2	50	1132342

9 CENTER LATCH KEEP - ELECTRICAL OPENING

POS	PACKERS	PACK	MATERIAL
L	2	50	1137903
R	2	50	1137904

10 SELF-ADJUSTABLE HOOK KEEP

LOCK	PACKERS	PACK	MATERIAL
1AH	2	100	1132652

11 LATCH BOLT KEEP

LOCK	PACKERS	PACK	MATERIAL
1LB	2	100	1126368

12 SHOOTBOLT KEEP

LOCK	PACKERS	PACK	MATERIAL
1SHB	2	100	1102281

NOTE: WITHOUT PACKERS

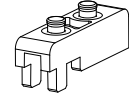
FRAME PARTS | PVC

U35 faceplate

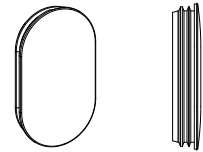
PACKERS for FRAME PARTS U35 and ONE PIECE STRIKER COVER CAP

U35 PACKERS	PACK	MATERIAL
OPPOSING HARDWARE GROOVE	200	1127830
ALUPLAST 2000 / 3000	200	1127822
ALUPLAST 4000	200	1127804
BRUGMANN 73	200	1129474
DECEUNINCK / INOUTIC ELEGANT	200	1133247
GEALAN 3000 / 7000 / 8000 / S9000	200	1127821
INOUTIC PRESTIGE	200	1127820
LB PROFILE	200	1134460
PROFINE KBE 76 / AD70	200	1127812
PROFINE TROCAL 70.A5 AD / 70.M5 MD	200	1127823
REHAU Geneo / S730 / 4500	200	1127831
REHAU Prestige 70 MD/ AD 70/ S706	200	1139083
SALAMANDER 3D / Streamline 76	200	1127825
SCHÜCO Corona AD / CT70 AD or MD / S182 MD	200	1127822
VEKA Matrix / Softline / Softline 82 / Topline	200	1127807
VIVA ALUMINIUM	200	1142828
WINTech W 640 Z	200	1127807

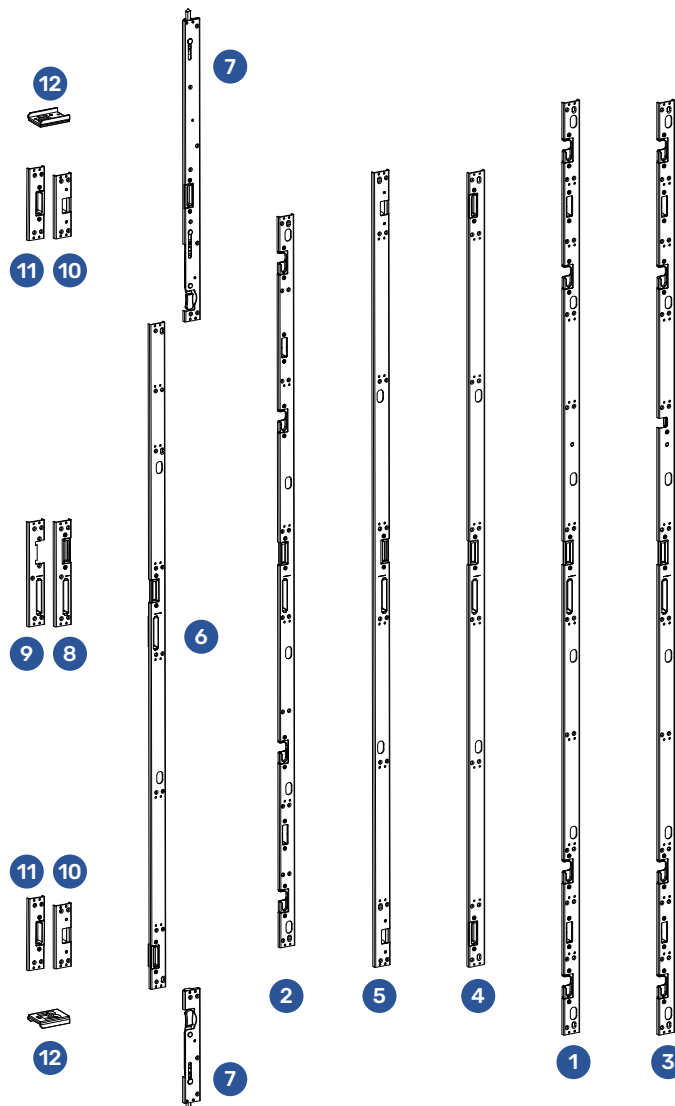
PACKER U35



COVER CAP



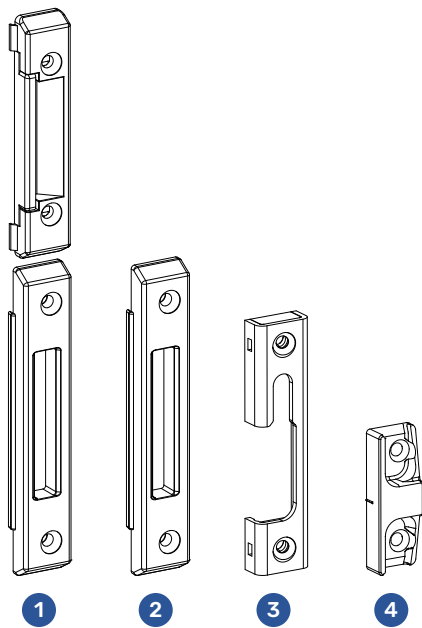
COVER CAPS	PACK	MATERIAL
COVER CAP	240	1127833



FRAME PARTS | TIMBER

9 axis

9 AXIS / 12 CLEARANCE



1 CENTER LATCH KEEP

PACK	MATERIAL
100	1105521

2 HOOK KEEP

PACK	MATERIAL
100	1105520

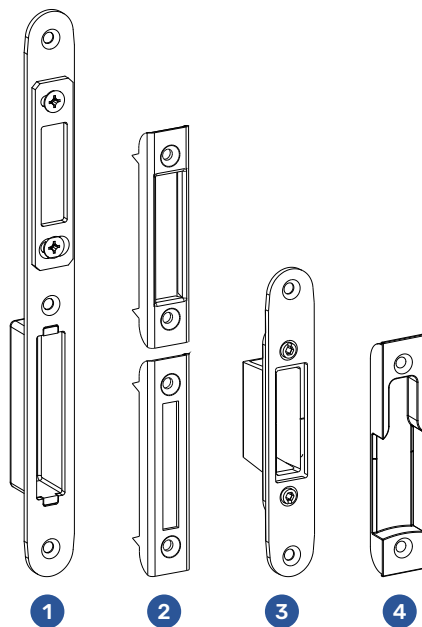
3 SECURITY STRIKER

EURO REBATE	POS	PACK	MATERIAL
18	L	100	1085745
18	R	100	1083222
20	L	100	1085744
20	R	100	1083221

4 STRIKER

REBATE	PACK	MATERIAL
18	300	1083212
20	300	1083211

9 AXIS / 4 CLEARANCE



1 CENTER LATCH KEEP

PACK	MATERIAL
50	1105522

2 CENTER LATCH KEEP - KR PAN

PACK	MATERIAL
200	1066679

3 HOOK KEEP

PACK	MATERIAL
100	1105523

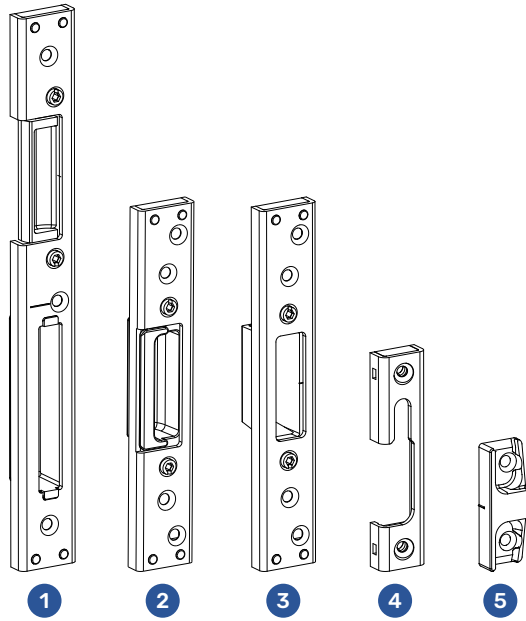
4 STRIKER

PACK	MATERIAL
200	1103504

FRAME PARTS | TIMBER

13 axis

13 AXIS / 12 CLEARANCE



1 CENTER LATCH KEEP

POS	PACK	MATERIAL
L	50	1114944
R	50	1114945

2 LATCH BOLT KEEP

PACK	MATERIAL
100	1127356

3 HOOK KEEP

PACK	MATERIAL
100	1114224

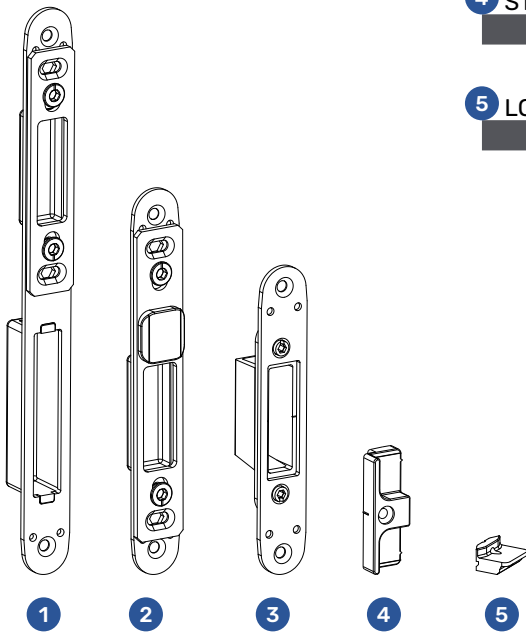
4 SECURITY STRIKER

POS	PACK	MATERIAL
L	100	1085744
R	100	1083221

5 STRIKER

REBATE	PACK	MATERIAL
18	300	1083212
20	300	1083211
7/8	300	1083213

9 AXIS / 12 CLEARANCE



1 CENTER LATCH KEEP ALU

PACK	MATERIAL
100	1114132

2 LATCH BOLT KEEP ALU

PACK	MATERIAL
50	1128824

3 HOOK KEEP ALU

PACK	MATERIAL
100	1114133

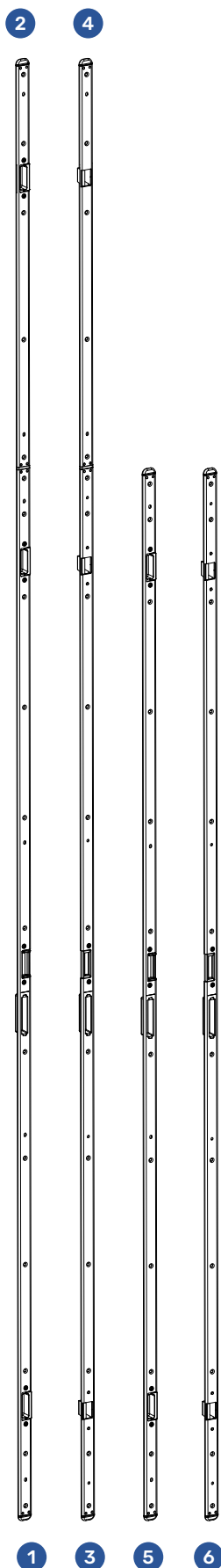
4 STRIKER ALU

PACK	MATERIAL
300	1097952

5 LOW STRIKER ALU

PACK	MATERIAL
200	1107832

* PRODUCTS **1** , **2** AND **3** DO NOT CORRESPOND TO AXIS 9 / CLEARANCE 12



1 ONE PIECE STRIKER CLC U24x5 LB

LOCK	HEIGHT	POS	PACK	MATERIAL
2LB	1800 (2500)	L	10	1134240
2LB	1800 (2500)	R	10	1134241
2LB with RF	1800 (2500)	L	10	1128546
2LB with RF	1800 (2500)	R	10	1128547

2 ONE PIECE STRIKER CLC U24x5 - extension LB

LOCK	HEIGHT	POS	PACK	MATERIAL
1LB	700	L	10	1128548
1LB	700	R	10	1128549

3 ONE PIECE STRIKER CLC U24x5 AH

LOCK	HEIGHT	POS	PACK	MATERIAL
2AH	1800 (2500)	L	10	1140258
2AH	1800 (2500)	R	10	1140259
2AH with RF	1800 (2500)	L	10	1140265
2AH with RF	1800 (2500)	R	10	1140266

4 ONE PIECE STRIKER CLC U24x5 - extension AH

LOCK	HEIGHT	POS	PACK	MATERIAL
1AH	700	L	10	1140277
1AH	700	R	10	1140278

5 ONE PIECE STRIKER CLC U24x5 LB

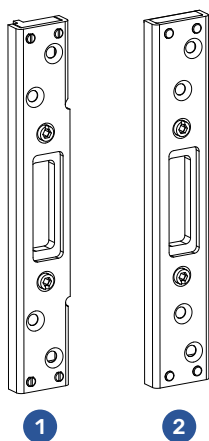
LOCK	HEIGHT	POS	PACK	MATERIAL
2LB	1800	L	10	1134240
2LB	1800	R	10	1134241
2LB with RF	1800	L	10	1128546
2LB with RF	1800	R	10	1128547

6 ONE PIECE STRIKER CLC U24x5 AH

LOCK	HEIGHT	POS	PACK	MATERIAL
2AH	1800	L	10	1140258
2AH	1800	R	10	1140259
2AH with RF	1800	L	10	1140265
2AH with RF	1800	R	10	1140266

FRAME PARTS | THRESHOLD

ALU THRESHOLD - 13 AXIS / 20 CLEARANCE

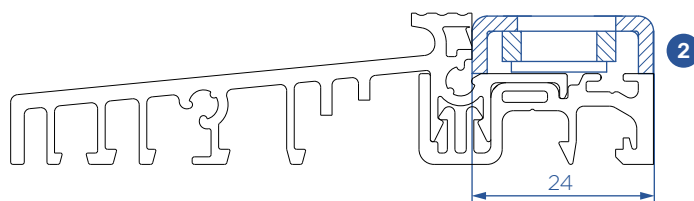
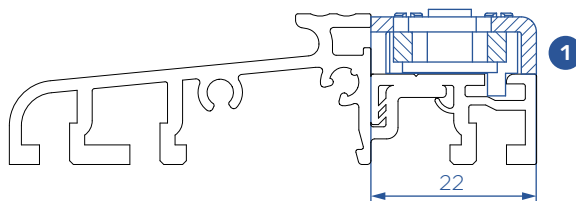


1 SHOOTBOLT KEEP ALU THRESHOLD U22

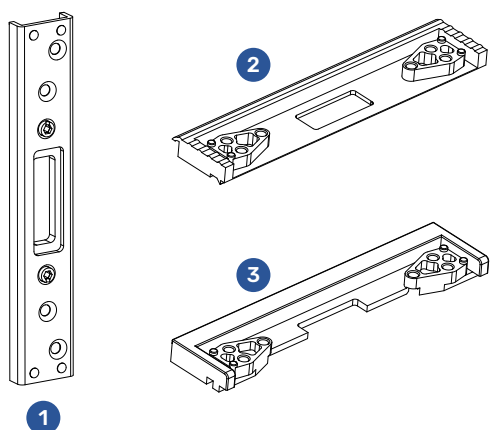
PACK	MATERIAL
100	1137009

2 SHOOTBOLT KEEP ALU THRESHOLD U24

PACK	MATERIAL
100	1119694



THRESHOLD - 13 AXIS / 12 CLEARANCE

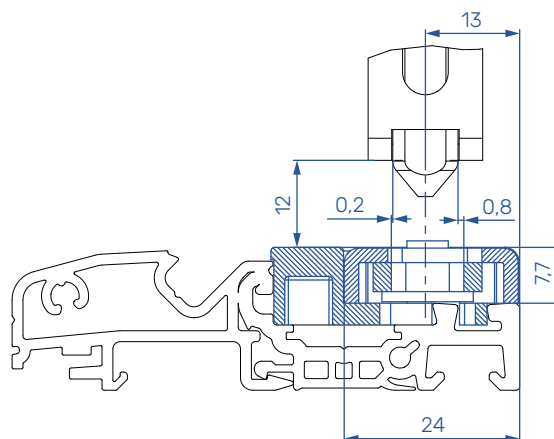


1 SHOOTBOLT KEEP ALU THRESHOLD U24 - NO PACKER

PACK	MATERIAL
100	1140136

SHOOTBOLT KEEP PACKER

PROFILE	PACK	MATERIAL
2 VEKA SOFTLINE 82	100	1140137
3 BKV	100	1140138



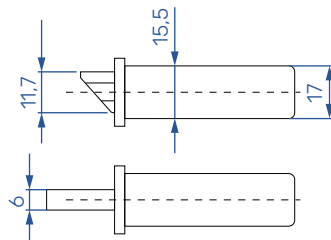
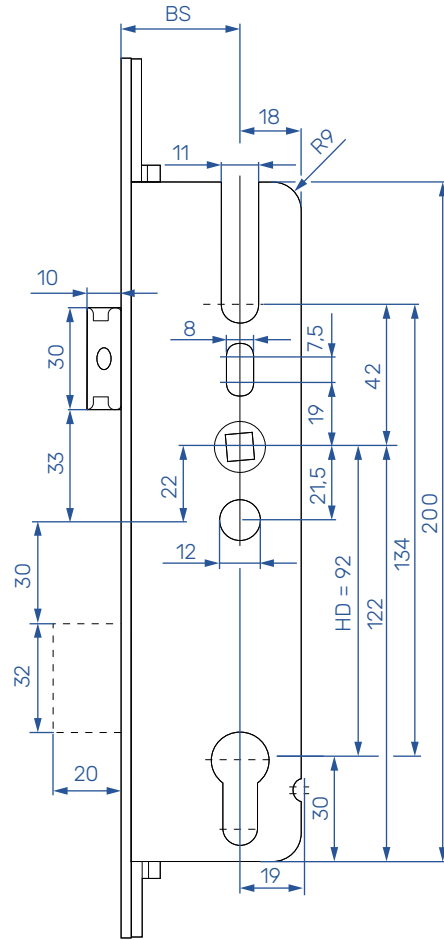


Detailed dimensions

Gearboxes
Detailed information

HANDLE LOCK

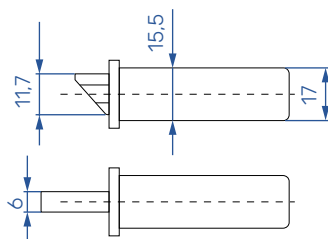
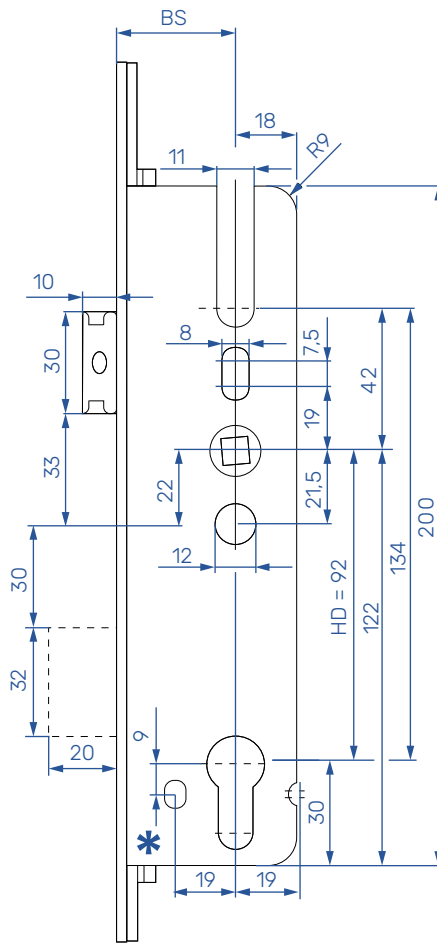
HL - handle lock | BS 28, 35, 40



BS		
28	35	40

HANDLE LOCK

HL - handle lock | BS 45, 50, 55, 65

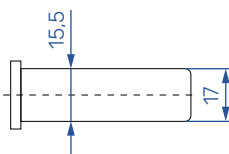
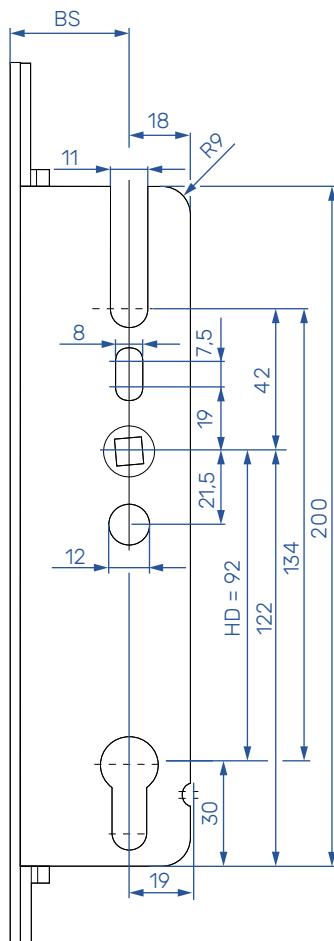


BS			
45	50	55	65

* HOLE FOR ROSETTE

HANDLE LOCK

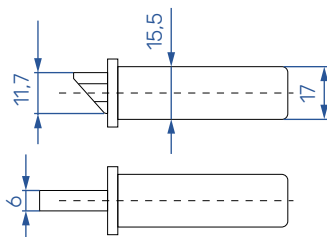
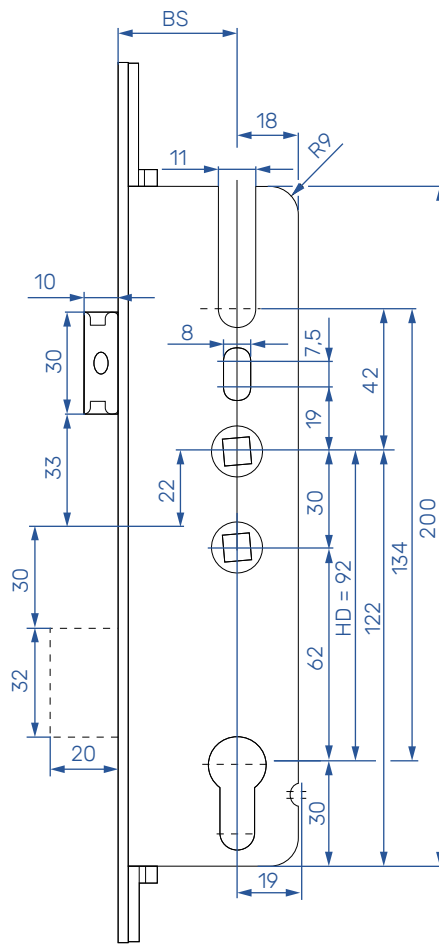
HL/P - handle lock passive



BS		
35	45	55

HANDLE LOCK

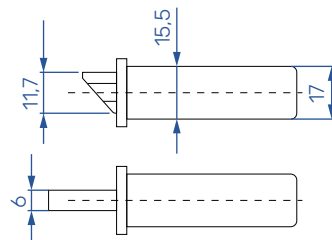
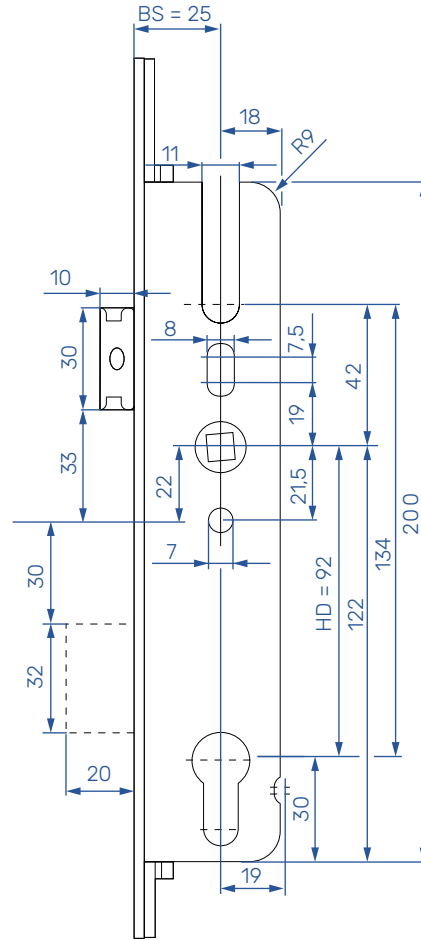
HL/W - handle lock wechsel



BS			
35	45	55	65

HANDLE LOCK

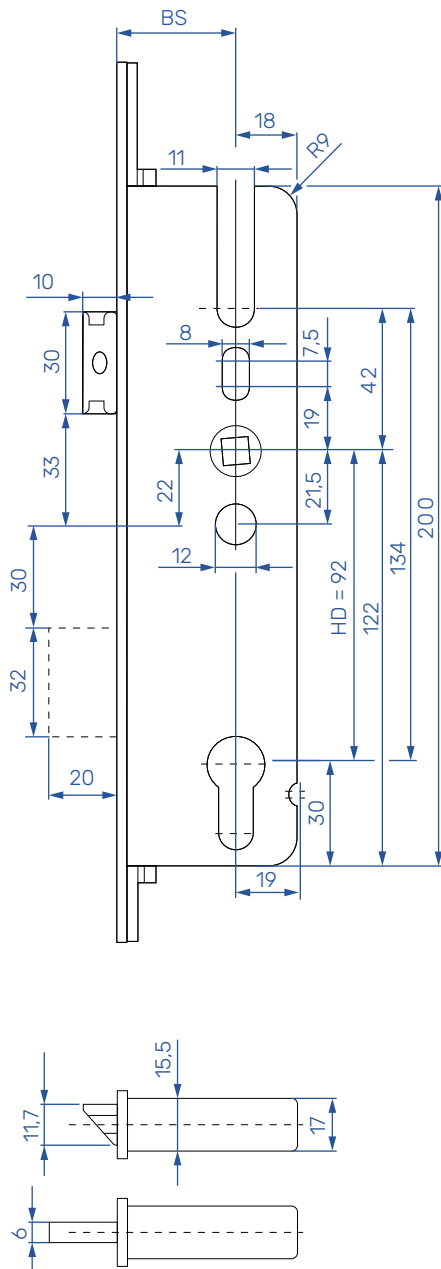
HL 2 - handle lock (18 mm throw)



BS
25

CYLINDER LOCK AUTOMATIC

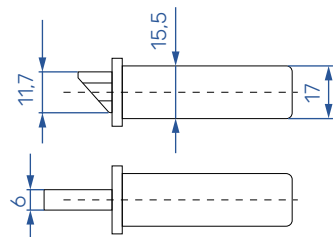
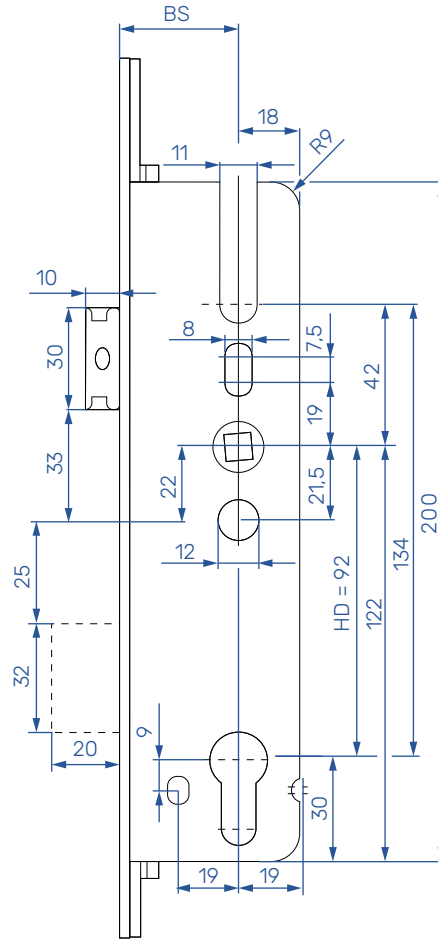
CLA - cylinder lock automatic



BS		
35	45	55

CYLINDER LOCK COMFORT

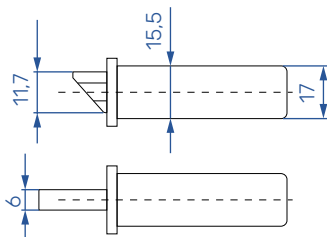
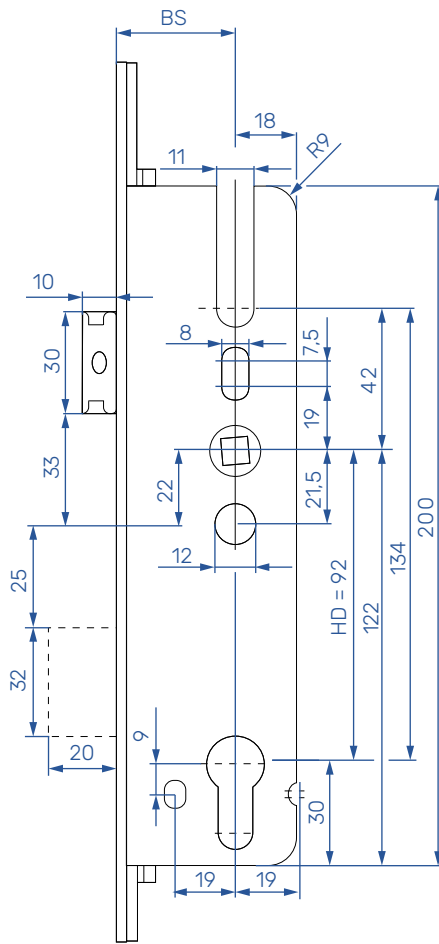
CLC - cylinder lock comfort



BS			
35	45	55	65

CYLINDER LOCK PORTAL

CLP - cylinder lock portal



BS		
(25)	35	45



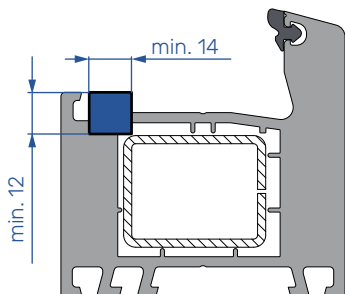
Installation instructions

Profile treatment, hardware mounting, hardware maintenance
Detailed information

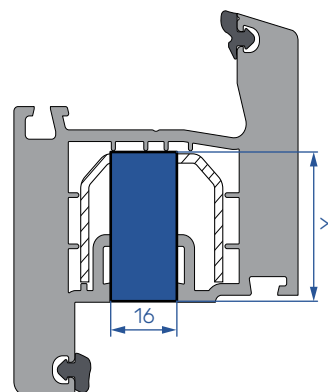
PROFILE ROUTING

Main lock - gear box

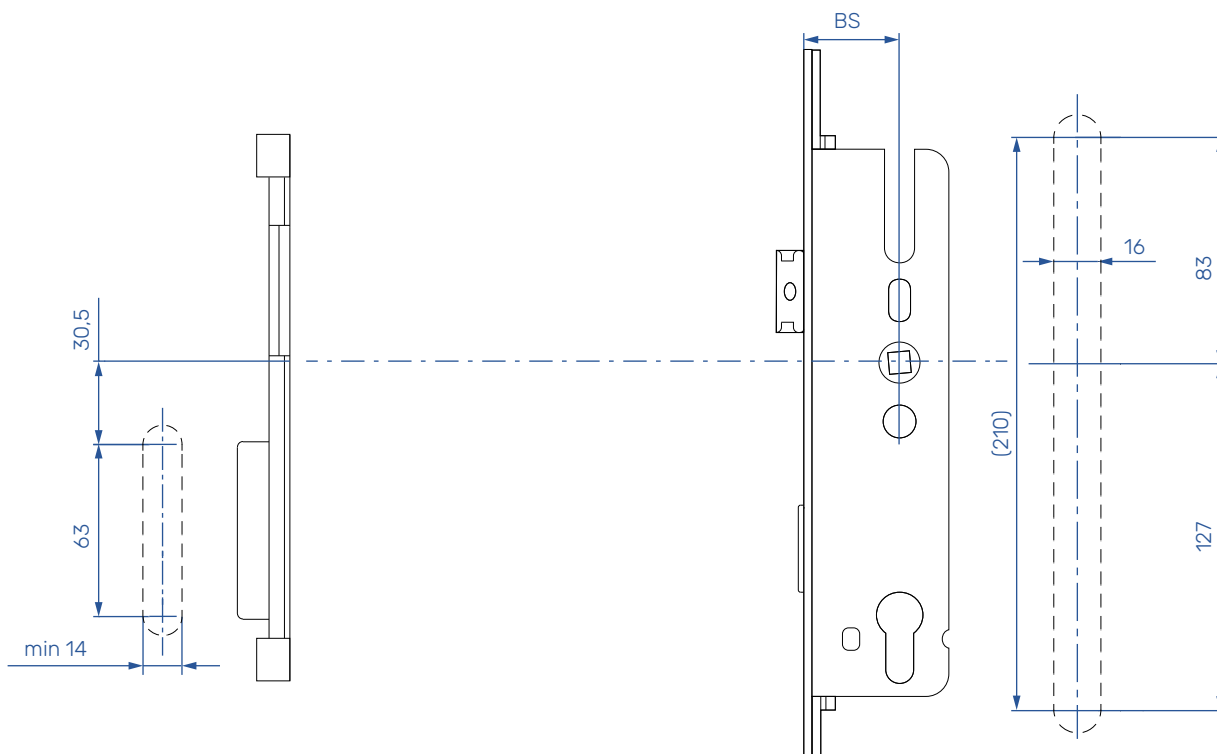
FRAME



SASH



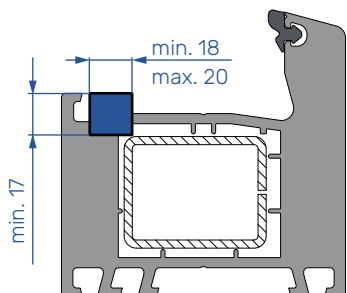
BS	X
25	44
28	47
35	54
40	59
45	64
50	69
55	74
65	84



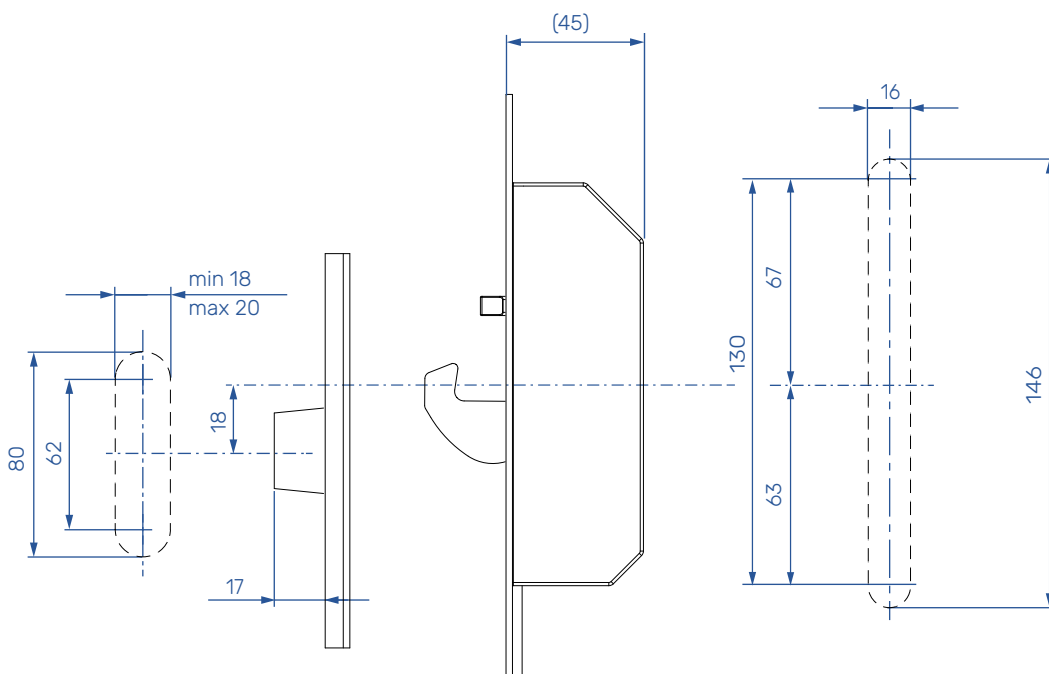
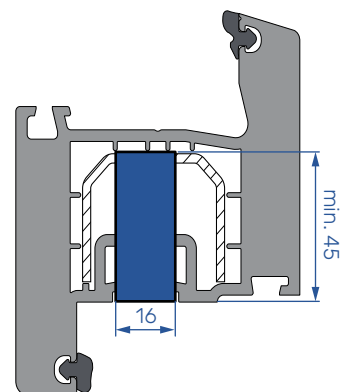
PROFILE ROUTING

Automatic hook casing

FRAME



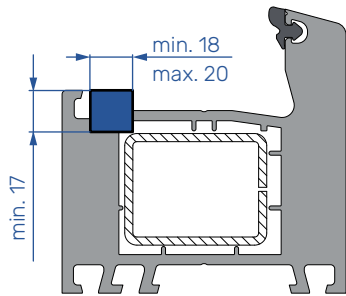
SASH



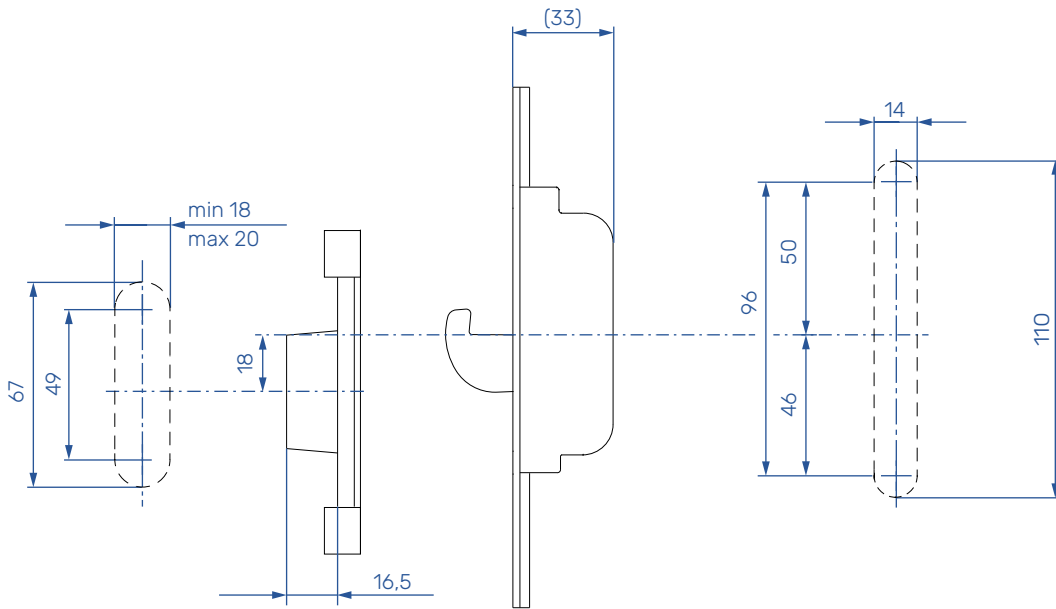
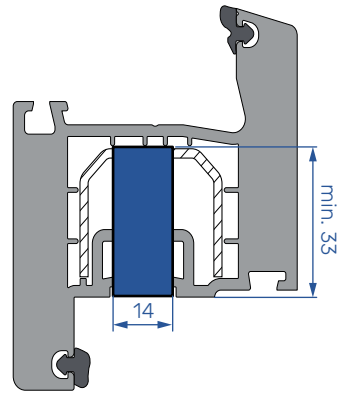
PROFILE ROUTING

Hook casing

FRAME



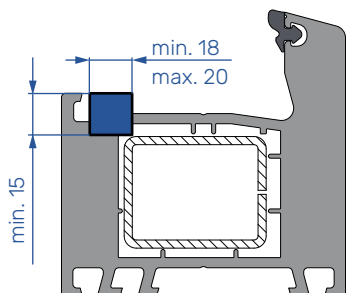
SASH



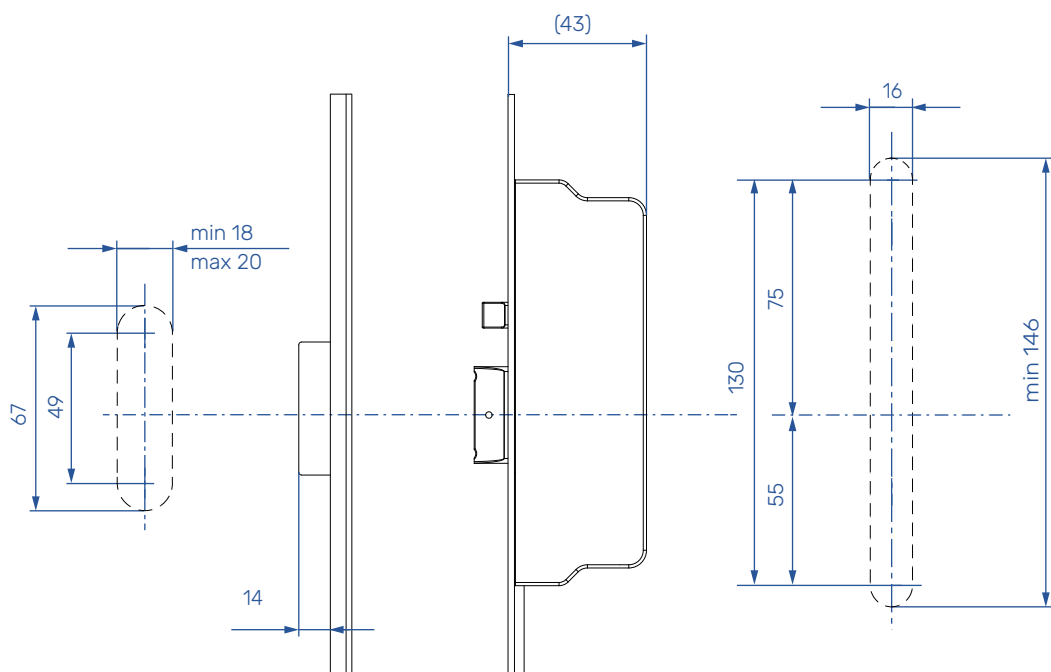
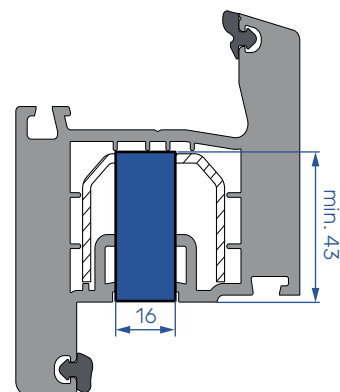
PROFILE ROUTING

Latch bolt casing

FRAME



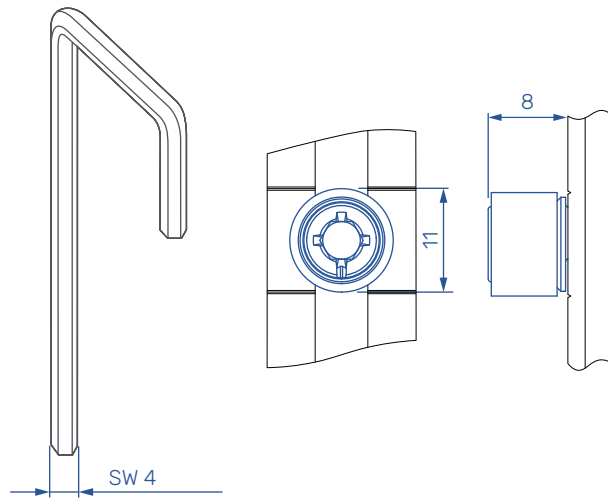
SASH





HARDWARE ADJUSTMENT

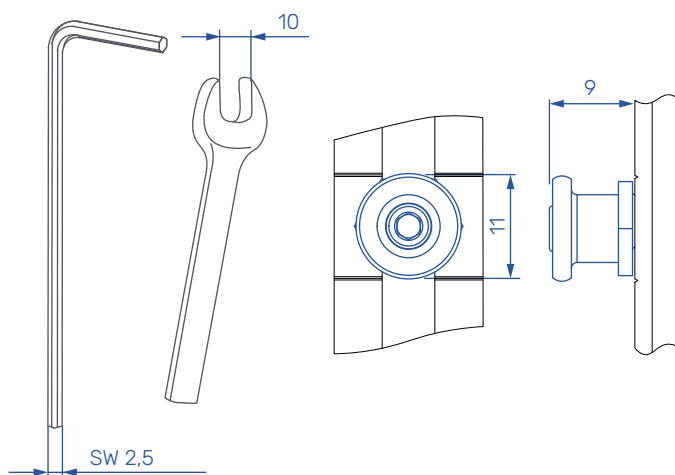
Locking cams R and RS



Adjustment instructions R cam



Adjustment range in °	Gasket compression adjustment in mm 
	+/- 1,2

Adjustment instructions RS cam

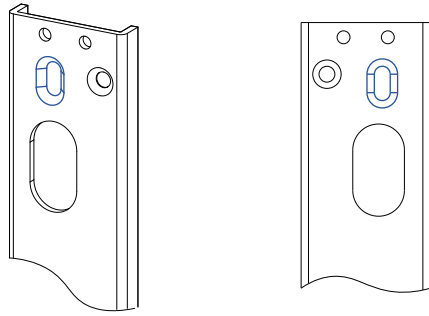



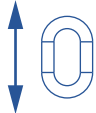
Adjustment range in °	Gasket compression adjustment in mm 
	+/- 0,8

HARDWARE ADJUSTMENT

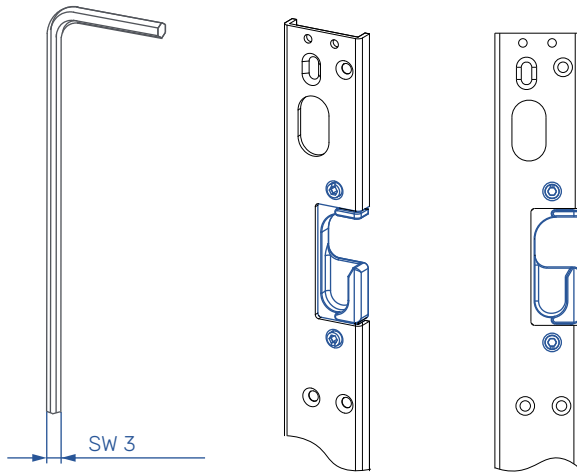
CLA - Cylinder lock automatic one piece striker



One piece striker CLA height

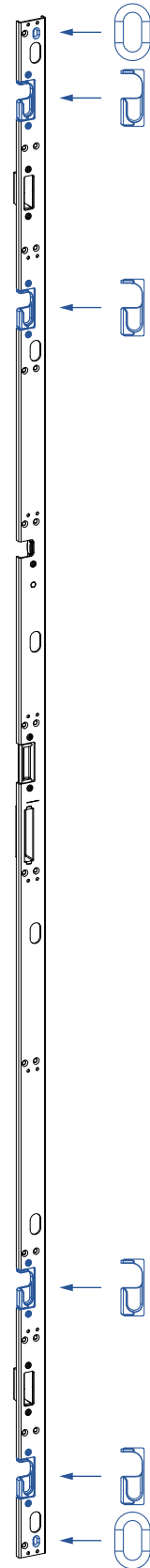


Adjustment range in mm	Height adjustment 
	<p data-bbox="858 808 930 835">+/- 2,5</p>

R cam striker CLA



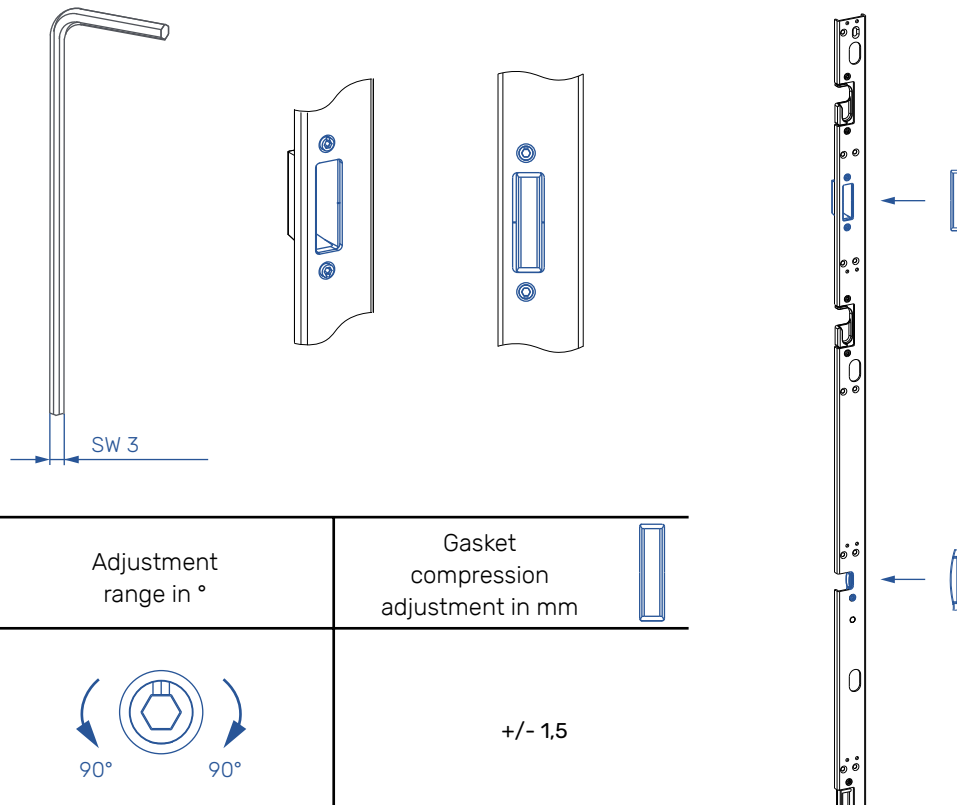
Adjustment range in °	Gasket compression adjustment in mm 
 <p data-bbox="432 1872 464 1895">90°</p> <p data-bbox="560 1872 592 1895">90°</p>	<p data-bbox="858 1832 930 1859">+/- 1,5</p>



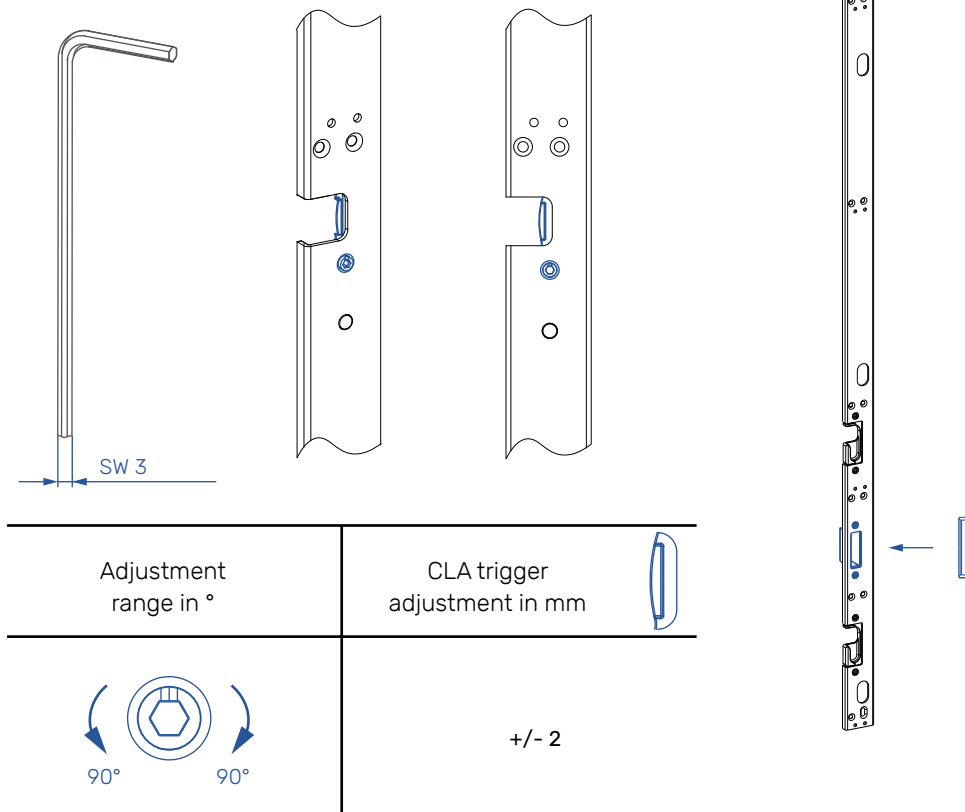
HARDWARE ADJUSTMENT

CLA - Cylinder lock automatic one piece striker

Hook keep CLA



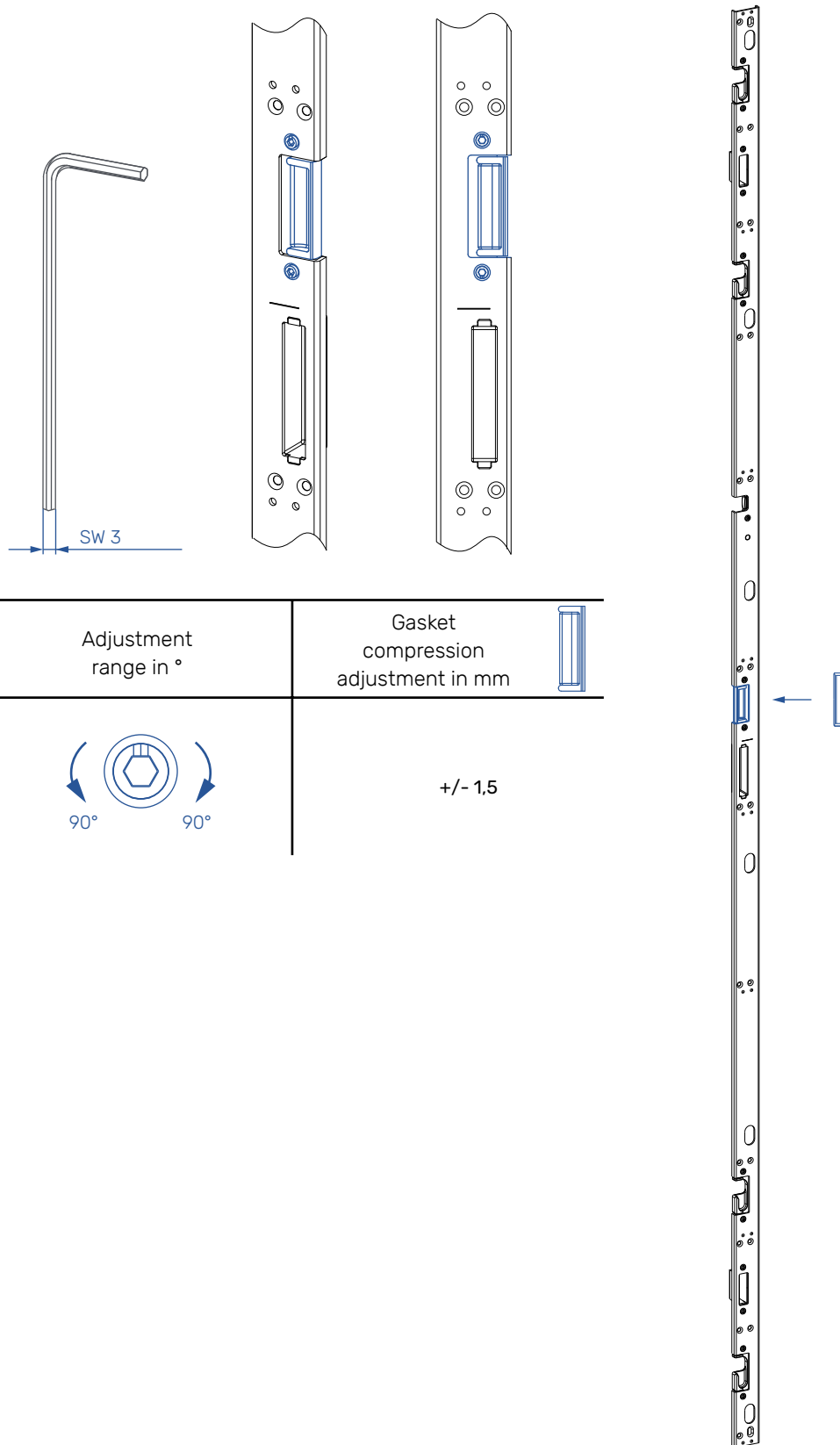
CLA trigger



HARDWARE ADJUSTMENT

CLA - Cylinder lock automatic one piece striker

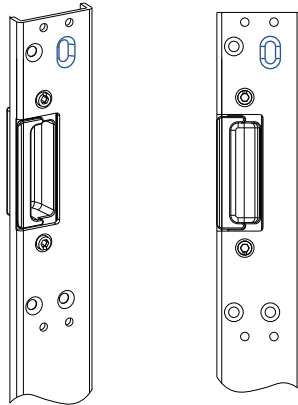
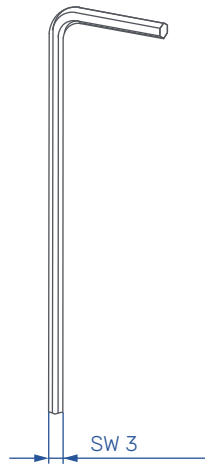
Center latch keep CLA



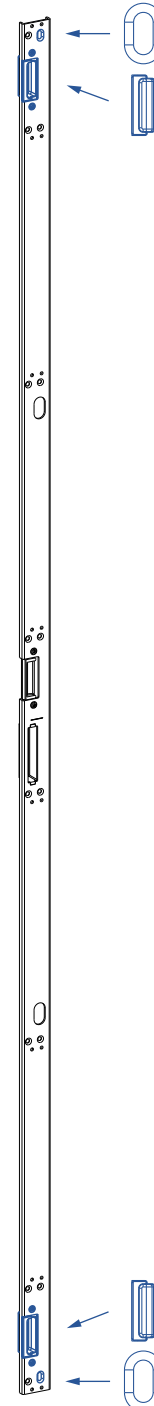
HARDWARE ADJUSTMENT

CLC - Cylinder lock comfort one piece striker

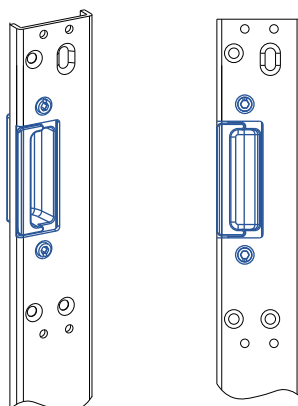
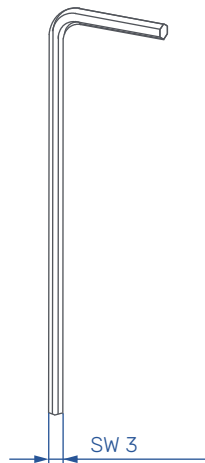
One piece striker CLC height



Adjustment range in mm	Gasket compression adjustment in mm
	 +/- 2,5



Latch bolt keep CLC

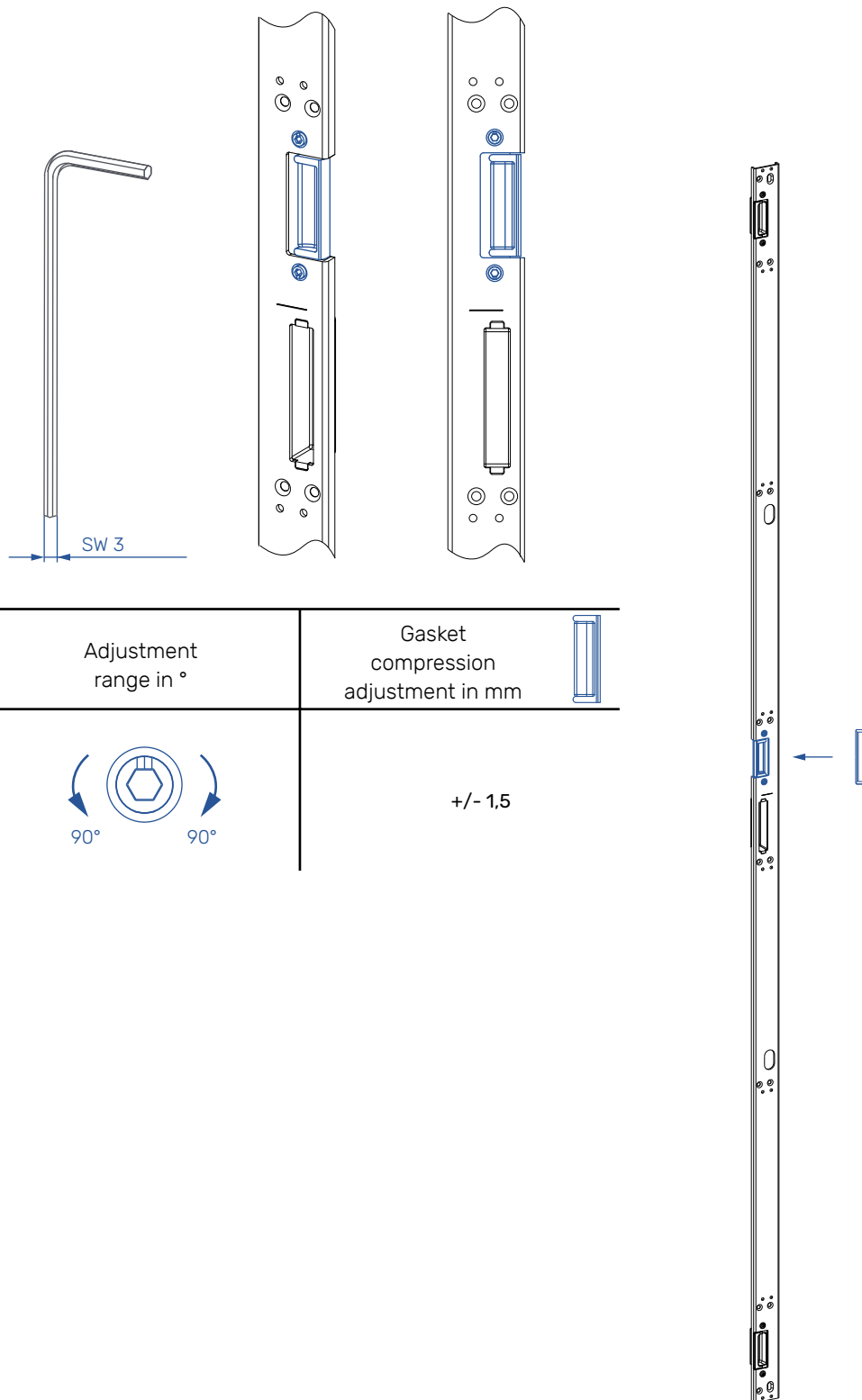


Adjustment range in °	Gasket compression adjustment in mm
	 +/- 1,5

HARDWARE ADJUSTMENT

CLC - Cylinder lock comfort one piece striker

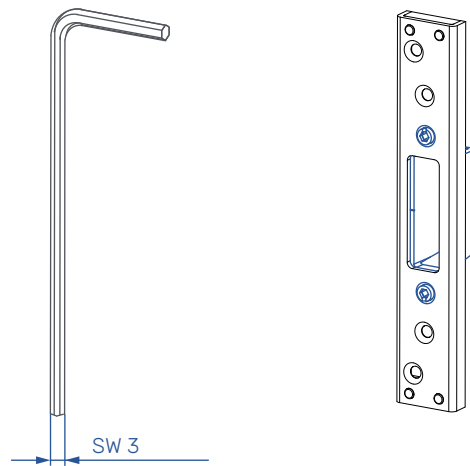
Center latch keep CLC





HARDWARE ADJUSTMENT

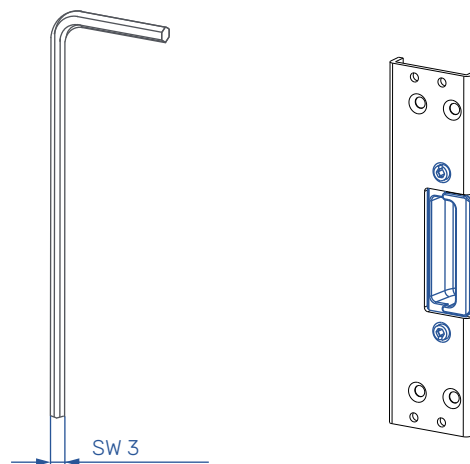
Hook keep and latch bolt keep

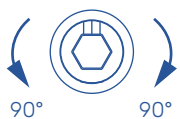

Hook keep



Adjustment range in °	Gasket compression adjustment in mm
 <p>90° 90°</p>	 <p>+/- 1,5</p>

Latch bolt keep

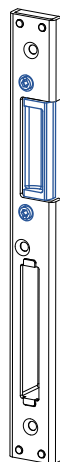
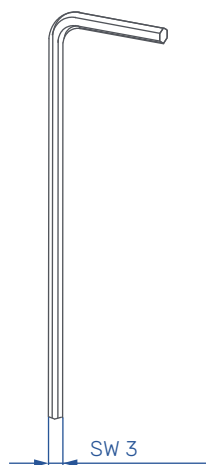



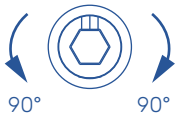
Adjustment range in °	Gasket compression adjustment in mm
 <p>90° 90°</p>	 <p>+/- 1,5</p>

HARDWARE ADJUSTMENT

Center latch keep

Center latch keep

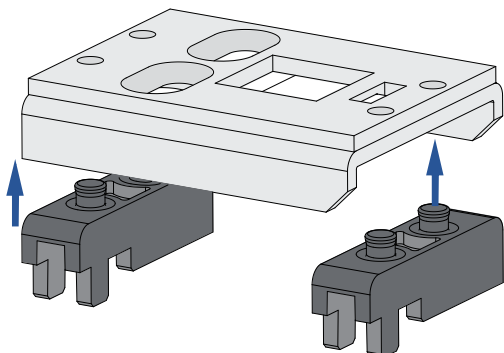


Adjustment range in °	Gasket compression adjustment in mm 
 <p>90° 90°</p>	<p>+/- 1,5</p>

PACKERS AND COVER CAPS MOUNTING

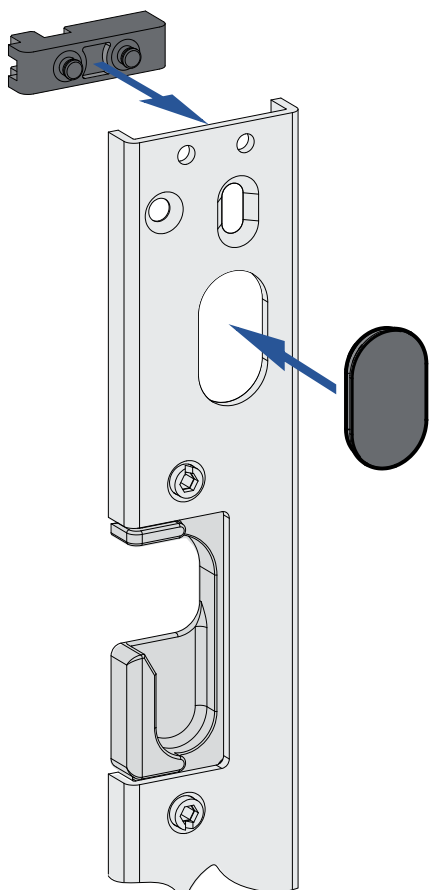
Packers U35 and U35 one piece striker cover cap

U35 keeps



1. Position packer's pins cocentric with holes on shoobolt keep, center latch keep, hook keep or latch bolt keep,
2. Press the packer into place with a little bit of force.

U35 one piece striker



1. Position packer's pins cocentric with holes on one piece striker,
2. Press the packer into place with a little bit of force.

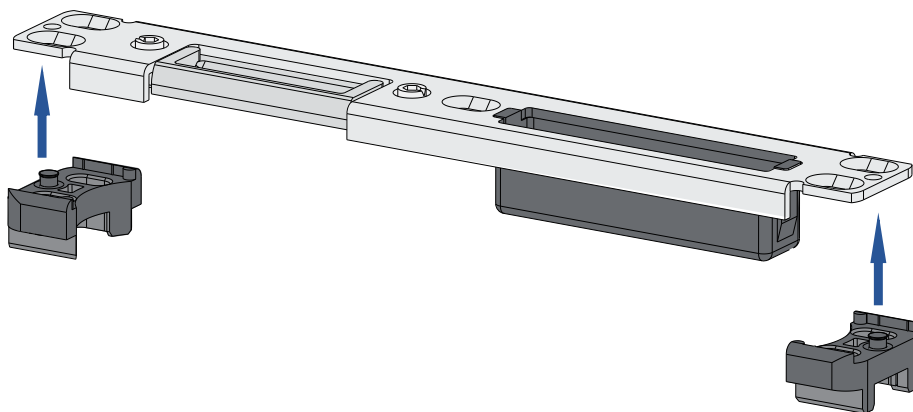
1. Position the cover cap over the hole on one piece striker,
2. Press the one piece striker cover cap with a little bit of force into the one piece striker's hole, to cover the opening.

PACKERS AND COVER CAPS MOUNTING

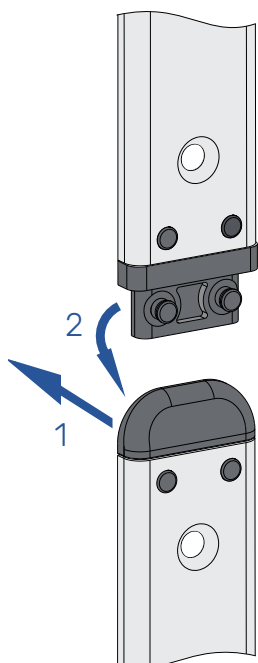
Packers U27 and U24 extension packer

U27 keeps

1. Position packer's pin cocentric with the hole on hook keep or latch bolt keep,
2. Press the packer into place with a little bit of force.



U24 extension and door lock



1. Remove the cover cap on the door lock,
2. Position the extension's packer pins cocentric with holes on door lock faceplate,
3. Press the packer into place with a little bit of force.



Accessories

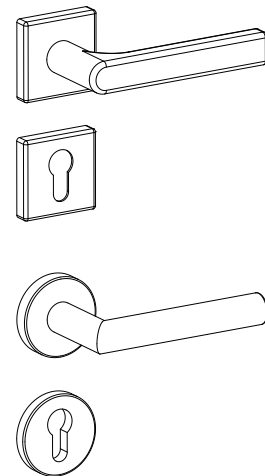
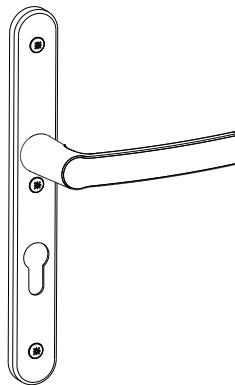
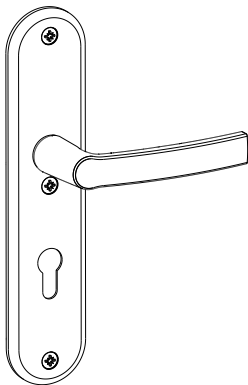
Handles and profile cylinders for doors
Detailed information

ABOUT

ARX handles are made of quality material (aluminium) and protected by persistent surface protection of powder coating in different colors. Quality materials, modern manufacturing processes and product testing have led ARX handles to have a long lifetime and a 10 year warranty.

ARX handles have a quality certificate, the German Quality Assurance Institute. We are convinced that our products and services will continue to be a good guarantee for our future long-standing partnership and we look forward to further cooperation with you.

ARX Handles for doors are broadly divided into three groups:



1. WIDE SHIELD HANDLE

First group is a group of door handles with wider shield, which have basic security properties (ES0). In this group, there is a set of handles, which are defined as handle / handle.

2. NARROW SHIELD HANDLE

Second group is a group of door handles with narrower shield, which are intended for narrower profiles and are defined as handle / handle.

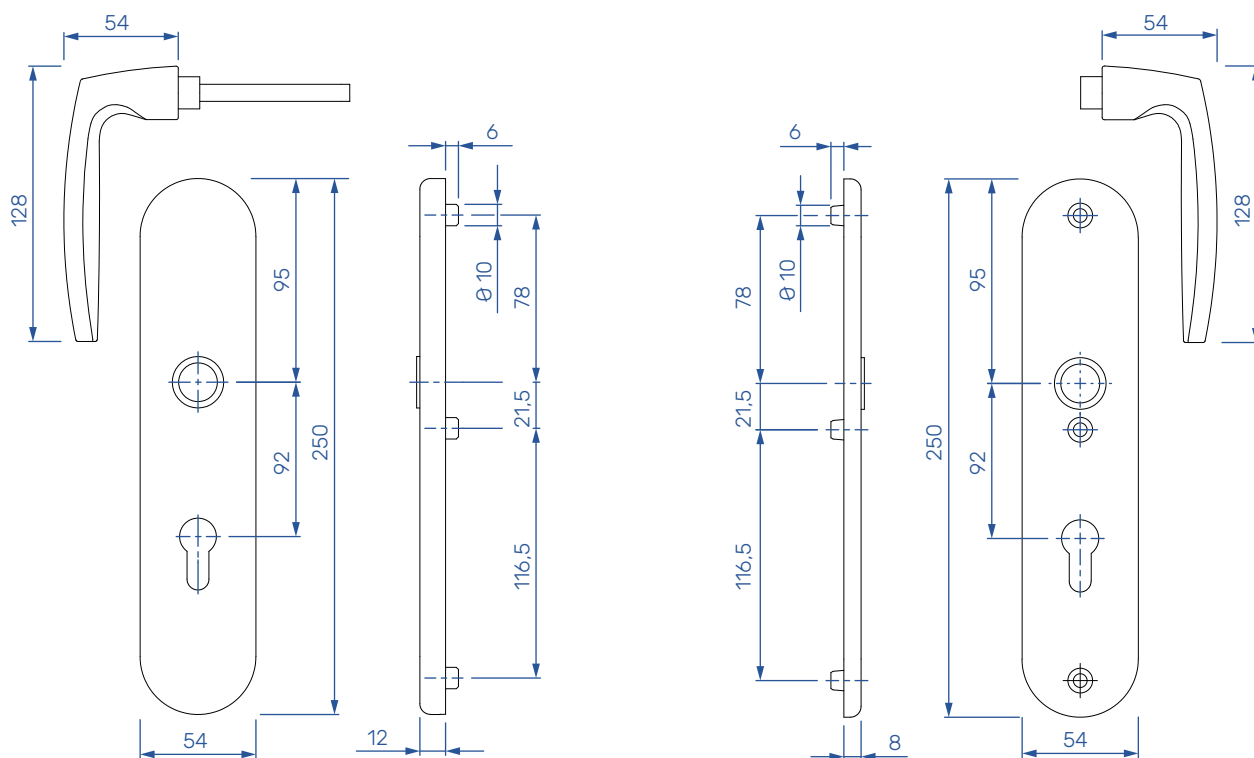
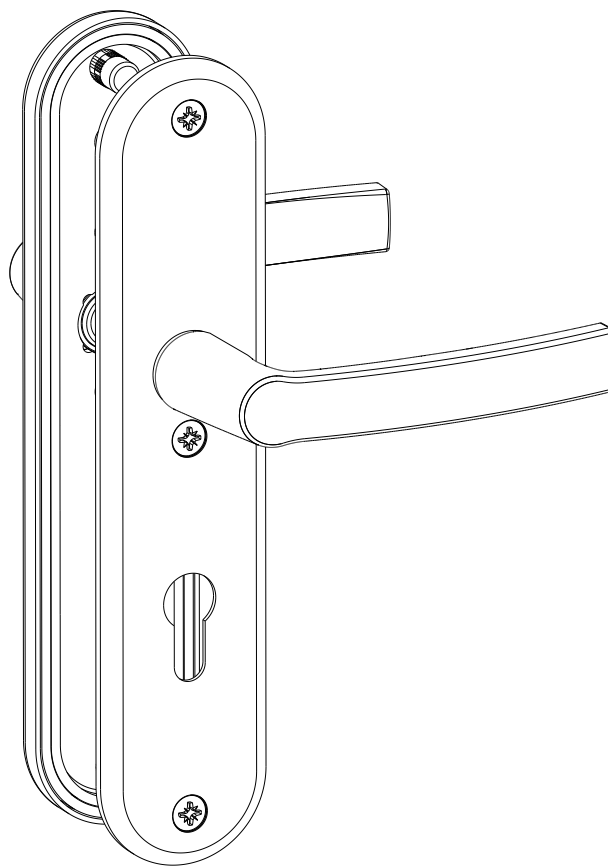
3. HANDLE WITH SEPARATE ROSETTE

Third group is a group of door handles with separate rosette with higher security properties - ES1.

HANDLES

Wide shield handle ESO

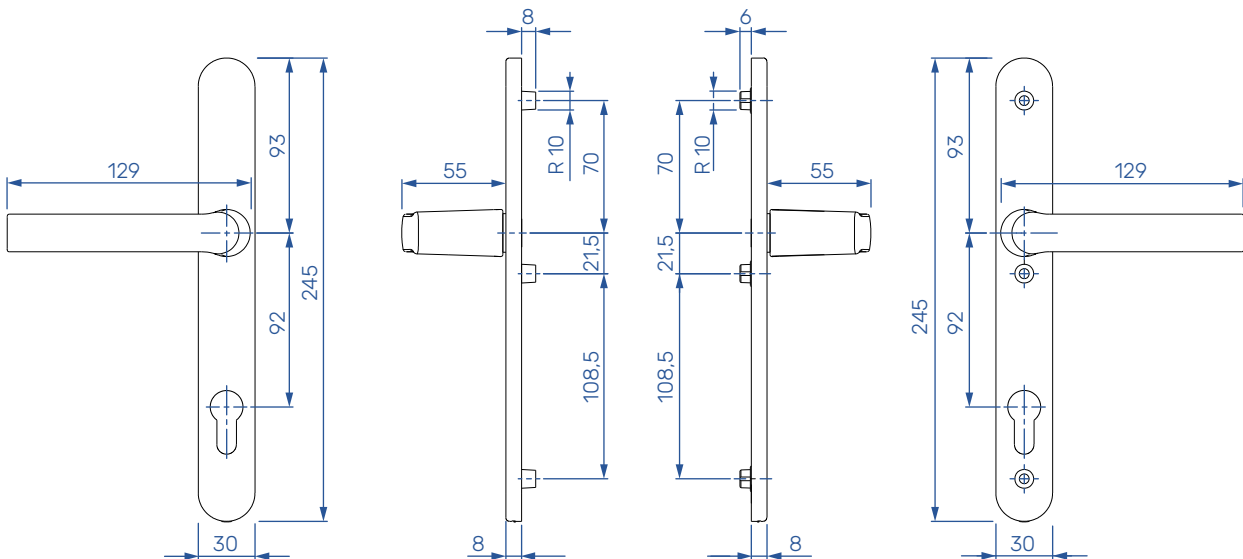
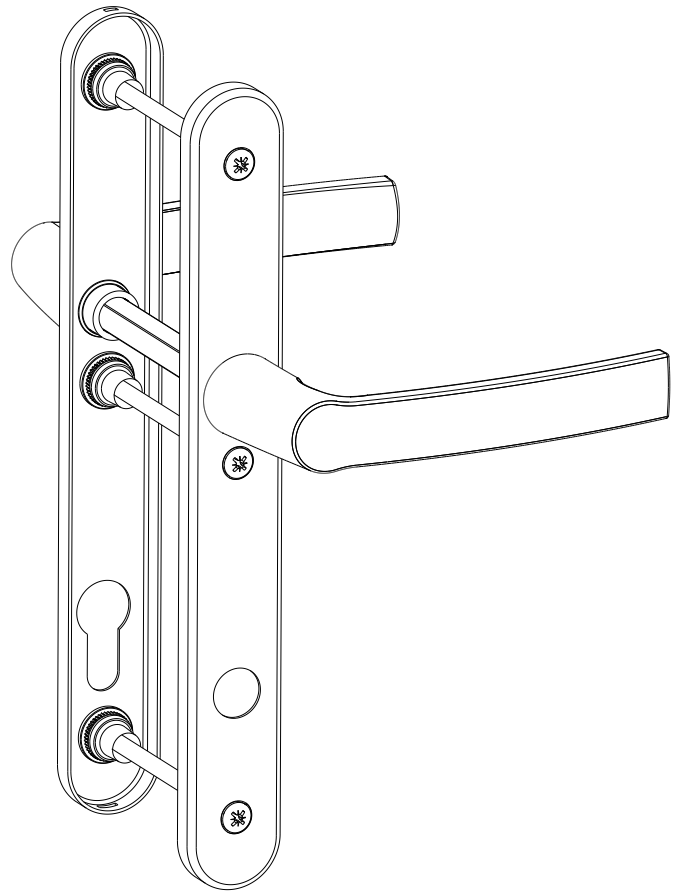
RAL	PACK	MATERIAL
F1 - SILVER	1	1053417
F4 - BRONZE	1	1053418
F9 - TITAN	1	1053419
9010 - WHITE	1	1053422



HANDLES

Narrow shield handle ESO

RAL	PACK	MATERIAL
F1 - SILVER	1	1053400
F4 - BRONZE	1	1053401
F9 - TITAN	1	1053403
9010 - WHITE	1	1053405
8707 - BROWN	1	1053406



HANDLES

Square handle with rosette ES1

1 SQUARE HANDLE

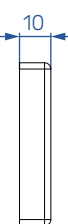
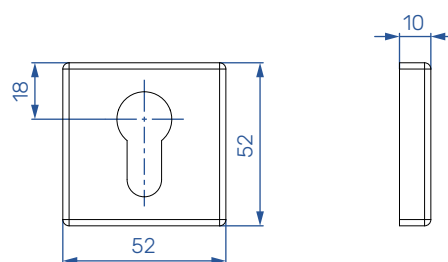
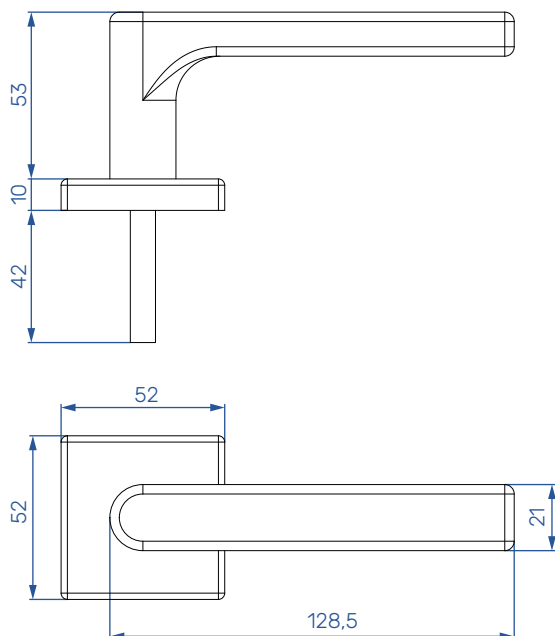
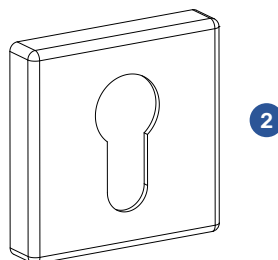
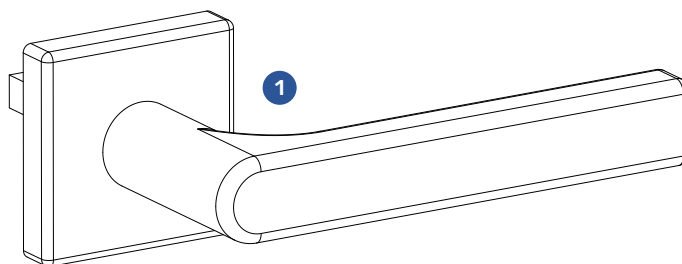
RAL	PACK	MATERIAL
SILVER	1	1136732

2 SQUARE ROSETTE

RAL	PACK	MATERIAL
SILVER	1	1136952

2a SQUARE ROSETTE ES1 - security

RAL	PACK	MATERIAL
SILVER	1	1136734



HANDLES

Round handle with rosette ES1

1 ROUND HANDLE

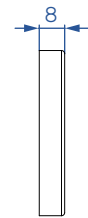
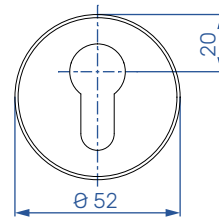
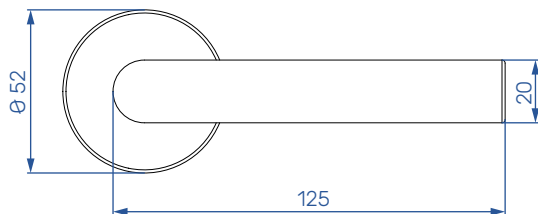
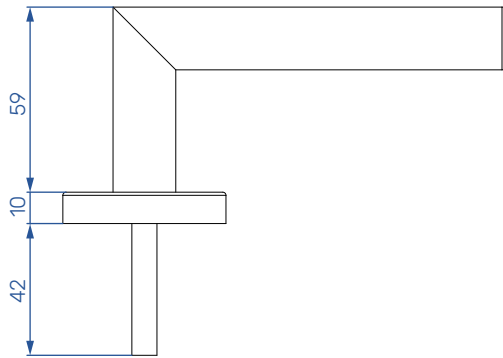
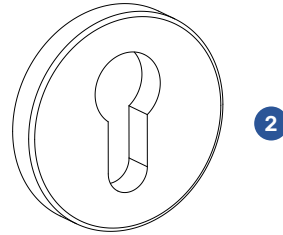
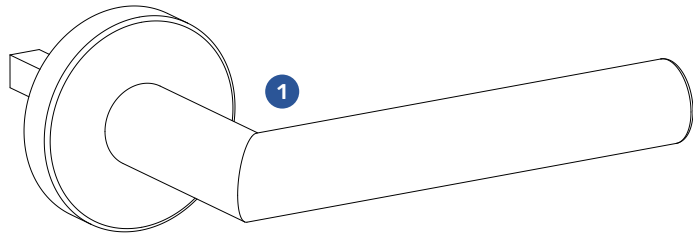
RAL	PACK	MATERIAL
SILVER	1	1136731

2 ROUND ROSETTE

RAL	PACK	MATERIAL
SILVER	1	1136951

2a ROUND ROSETTE ES1 - security

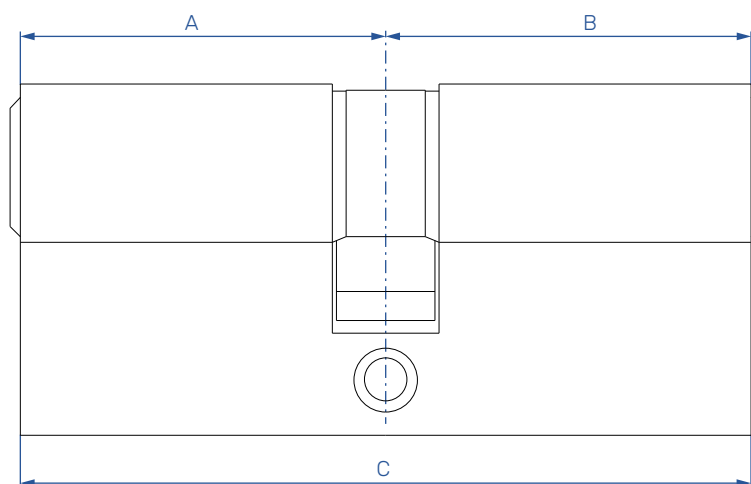
RAL	PACK	MATERIAL
SILVER	1	1136733



PROFILE CYLINDERS

Profile cylinder S6 NI

A	B	C	PACK	MATERIAL
30	30	60	15	1134546
30	35	65	50	1134547
30	40	70	50	1134548
30	45	75	50	1134549
30	50	80	50	1134550
30	60	90	50	1134551
30	70	100	15	1134552
35	40	75	15	1134553
35	45	80	15	1134554
35	50	85	15	1134555
35	55	90	15	1134556
40	40	80	15	1134557
40	45	85	50	1134558
40	50	90	50	1134559
40	55	95	50	1134561
40	60	100	50	1134562
40	65	105	15	1134563
45	45	90	50	1134564
45	50	95	50	1134565
45	55	100	50	1134566
45	60	105	15	1134567
50	50	100	50	1134568
50	60	110	50	1134569



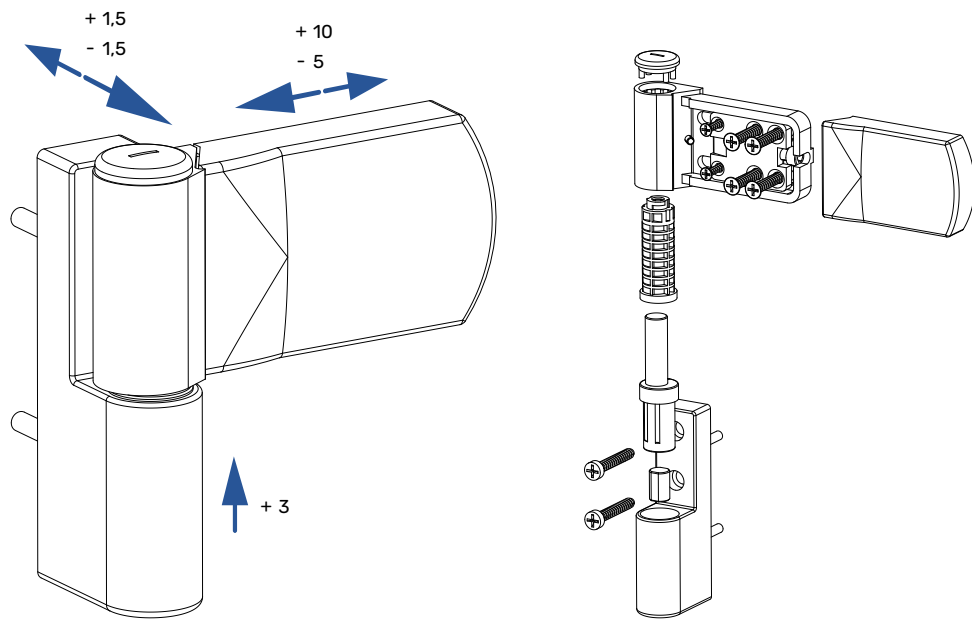
- * MADE FROM BRASS,
- * 6 PIN SYSTEM (OVER 100.000 COMBINATIONS),
- * STANDARD EN 1303,
- * 3 KEYS,
- * FIXING SCREWS M5 X 60 MM INCLUDED.

HINGES | PVC

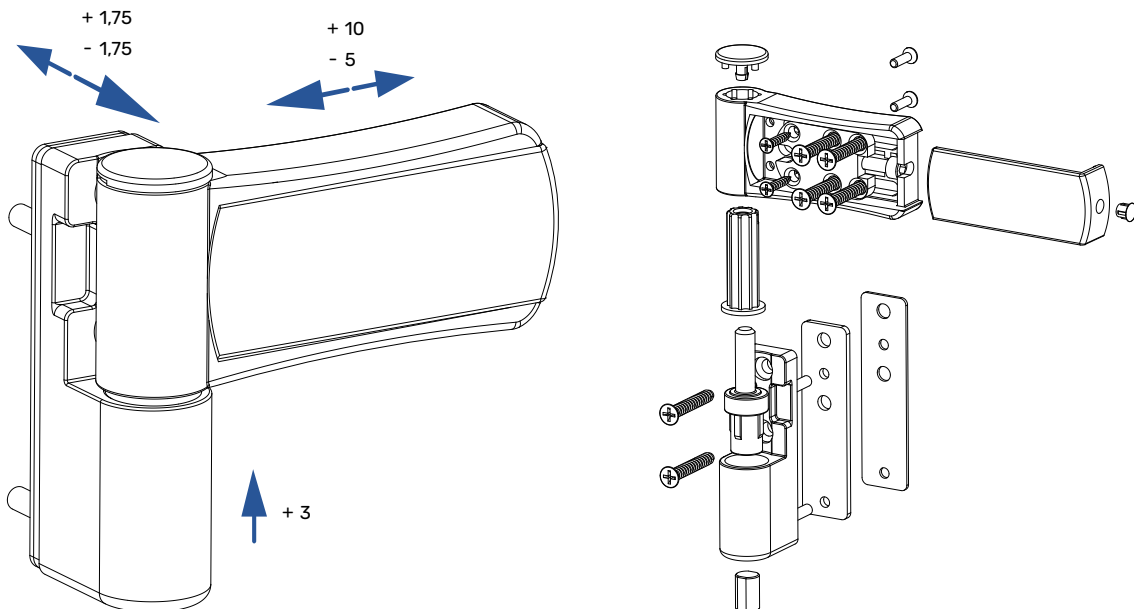
Door hinges

RAL	MAX. LOAD [kg]	OVERLAP [mm]	PACK	MATERIAL
9016 - WHITE	160	16 - 19	1	1096654
9016 - WHITE	160	19 - 22	1	1096655
9016 - WHITE	160	22 - 25	1	1096656
8003 - BROWN	160	19 - 22	1	1136726
8022 - BLACK BROWN	160	19 - 22	1	1136728
9005 - BLACK	160	16 - 19	1	1140685
9005 - BLACK	160	22 - 25	1	1139044
9006 - SILVER	160	19 - 22	1	1136729
8019 - GRAYBROWN	160	19 - 22	1	1136730
7016 - ANTHRACITE GREY	160	19 - 22	1	1138133
9016 - WHITE	125	16 - 19	1	1096651

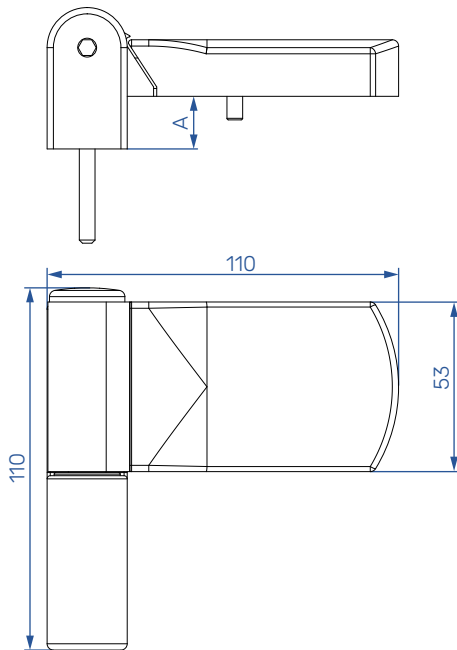
Door hinge 160 kg



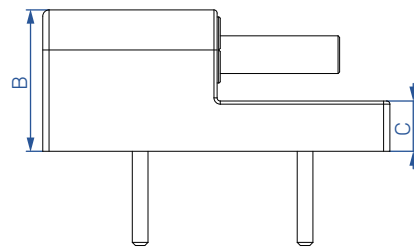
Door hinge 125 kg



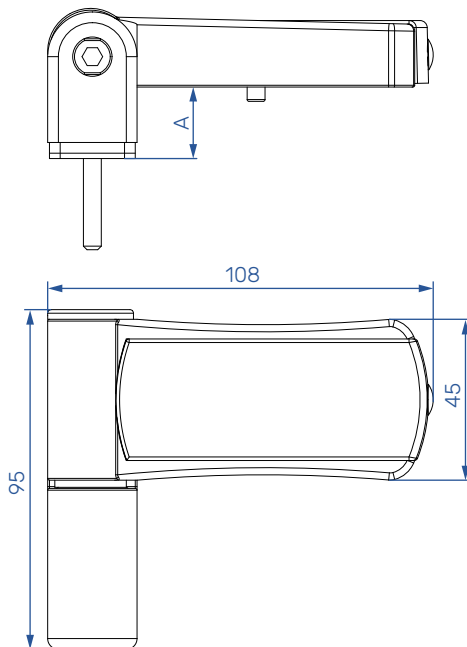
Door hinge 160 kg



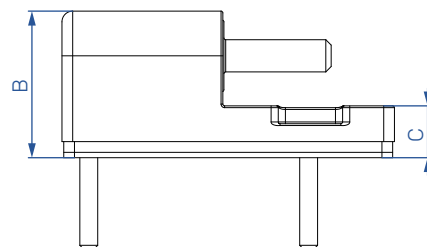
OVERLAP	A	B	C
16 - 19	17,5 +/- 1,5	42	12,5
19 - 22	20,5 +/- 1,5	45	15,5
22 - 25	23,5 +/- 1,5	48	18,5



Door hinge 125 kg



OVERLAP	A	B	C
16 - 19	17,5 +/- 1,5	41	14,5

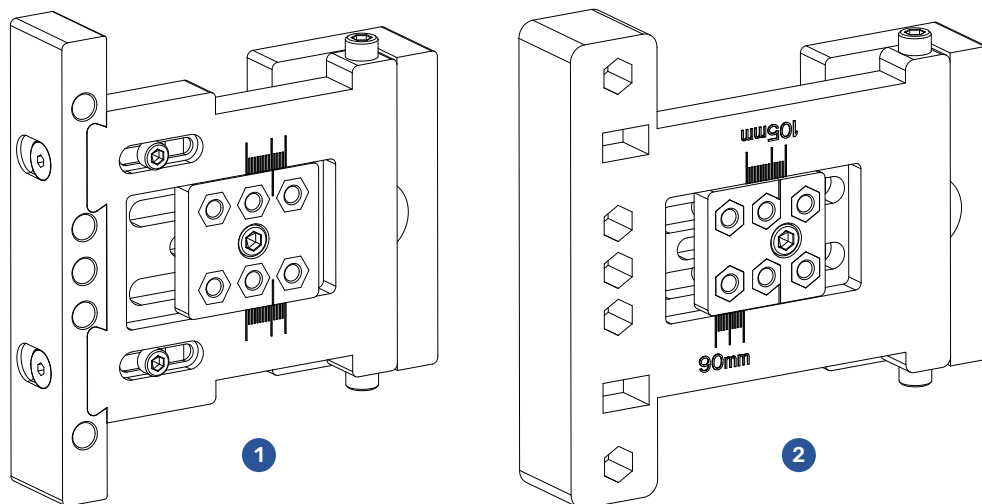


- * HIGH LOAD CAPACITY,
- * ANTI-LIFT SYSTEM (only 160 kg hinge),
- * LARGE 3D ADJUSTMENT RANGE,
- * SIMPLE INSTALLATION (just one drilling scheme),
- * MADE FROM ZINC ALLOY,
- * PIVOT PIN MADE FROM STAINLESS STEEL,
- * POWDER COATED,
- * HIGH QUALITY PLASTIC BEARING (maintenance not required).

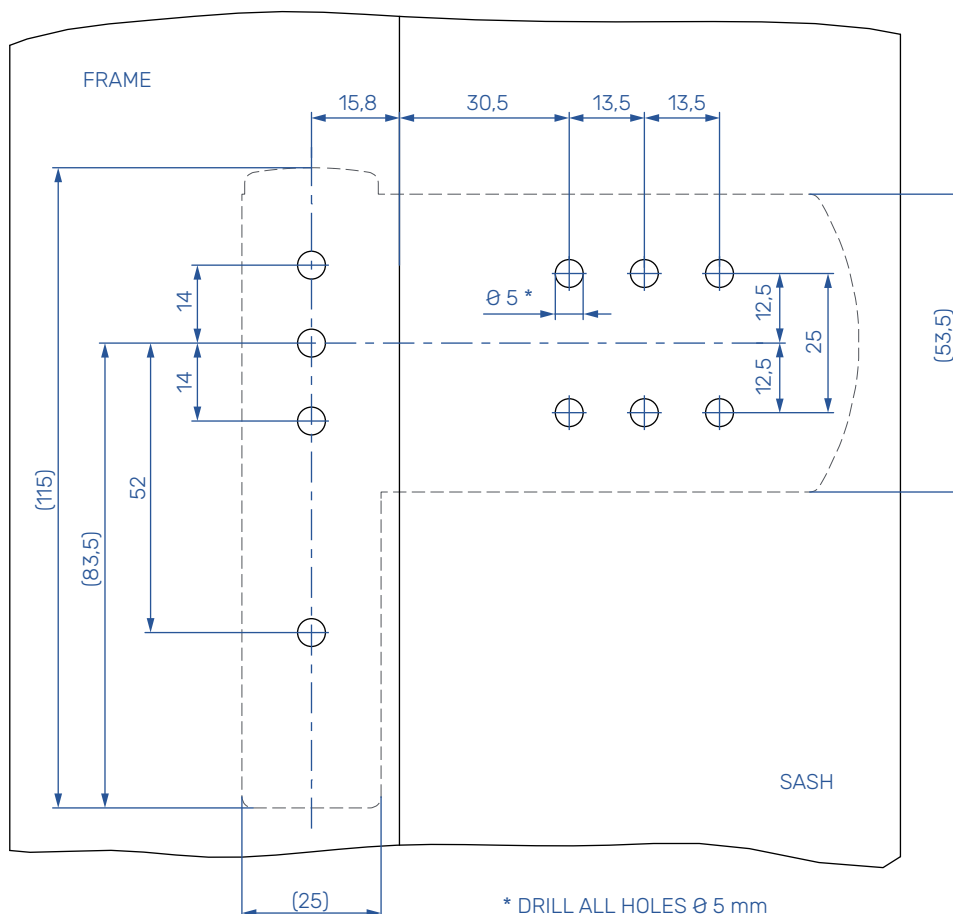
HINGES | PVC

Door hinge drilling jigs

TYPE	DESCRIPTION	PACK	MATERIAL
1	DRILLING JIG 160 kg	1	1097833
2	DRILLING JIG 125 kg	1	1136168

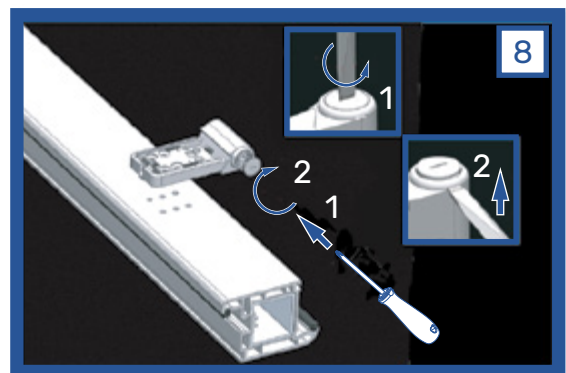
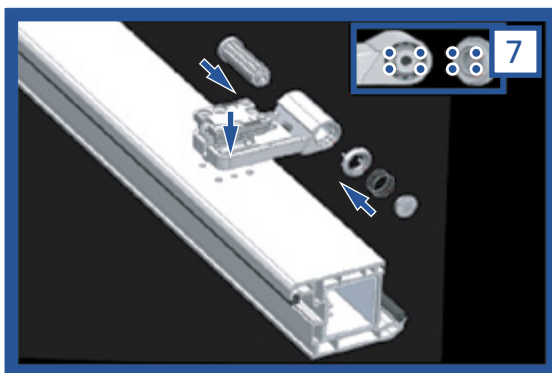
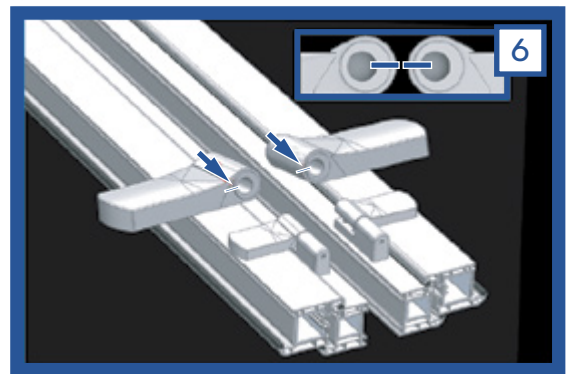
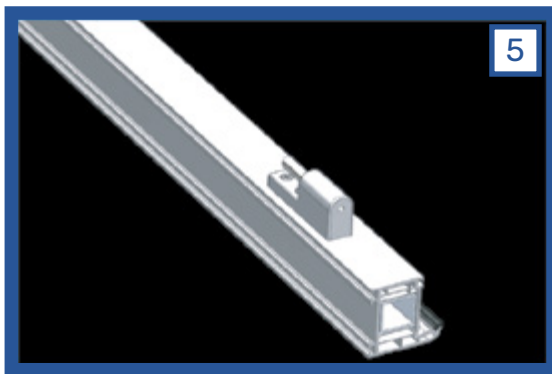
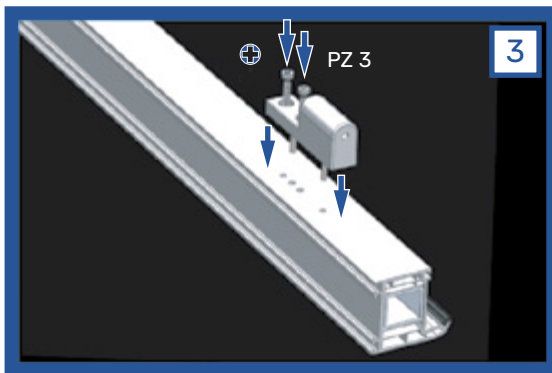
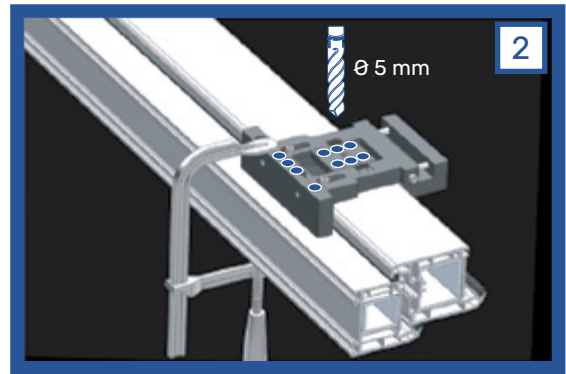
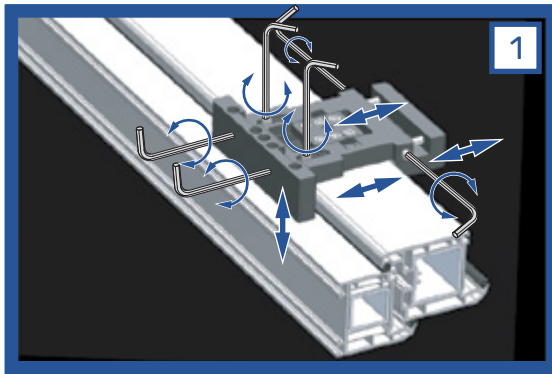


Door hinge drilling scheme 160 kg (OVERLAP 22 - 25)



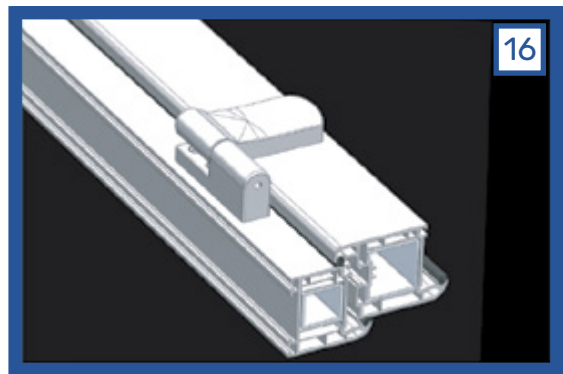
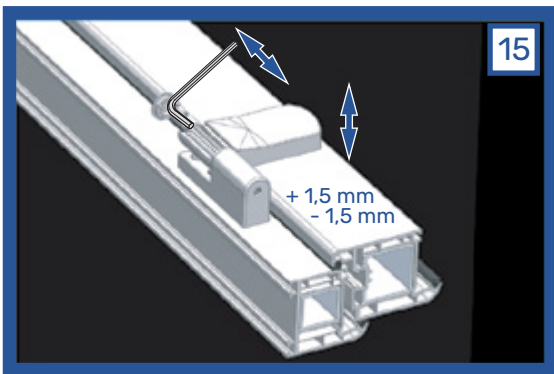
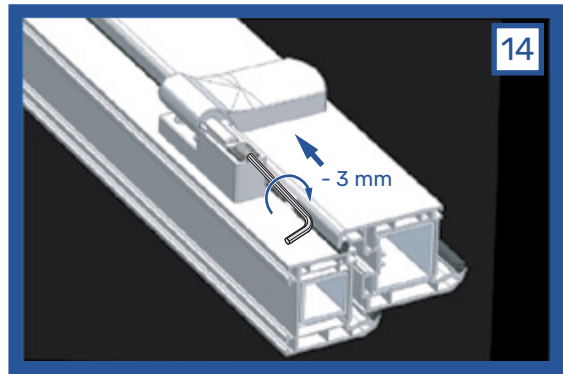
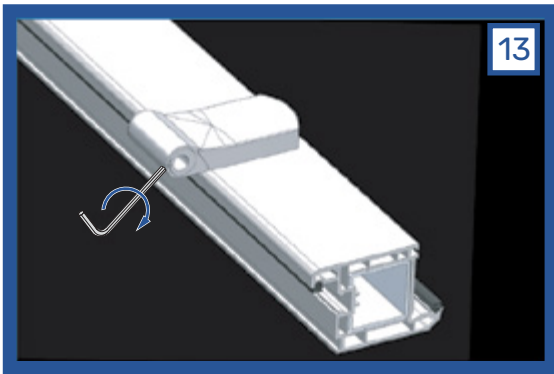
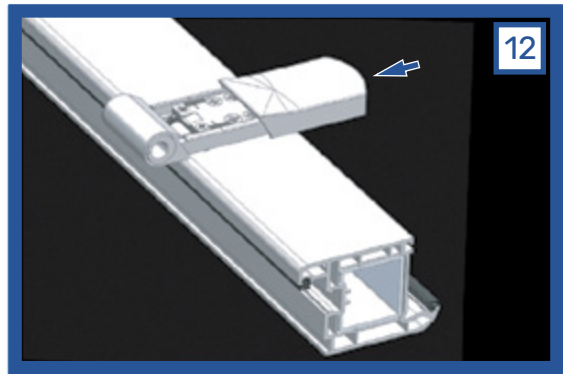
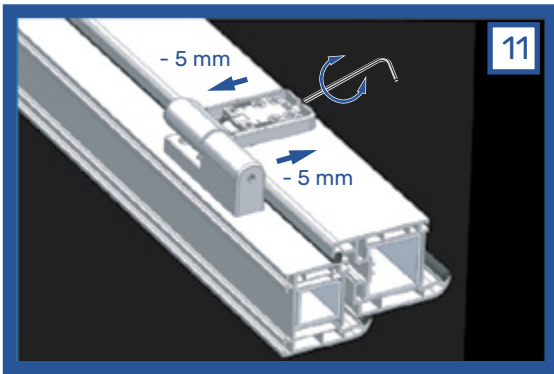
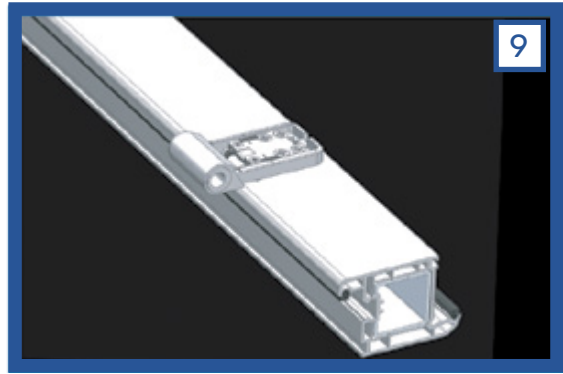
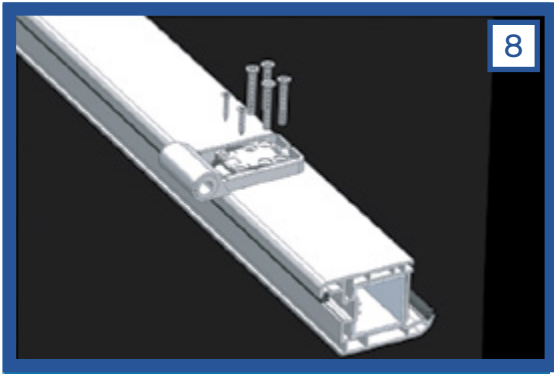
HINGES | PVC

Jig and door hinge installation instruction



HINGES | PVC

Jig and door hinge installation instruction



ARX

The Hardware.

Kovinoplastika Lož d.o.o.
Cesta 19. oktobra 57, Lož
1386 Stari trg pri Ložu
Slovenia

Follow us:

