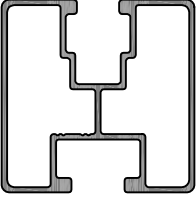
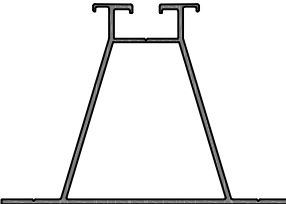
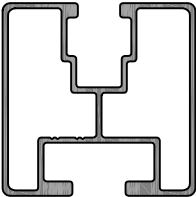
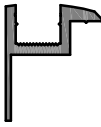
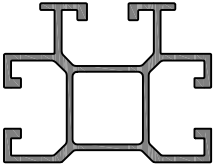
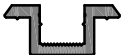
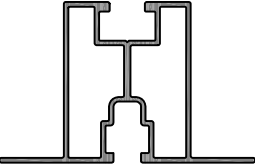

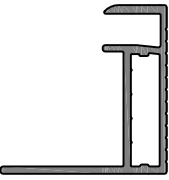

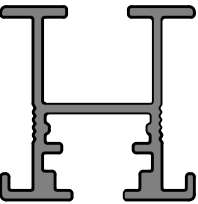





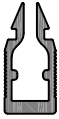
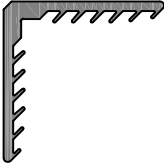


**SOLAR
SYSTEMS**



PROFILES LIST

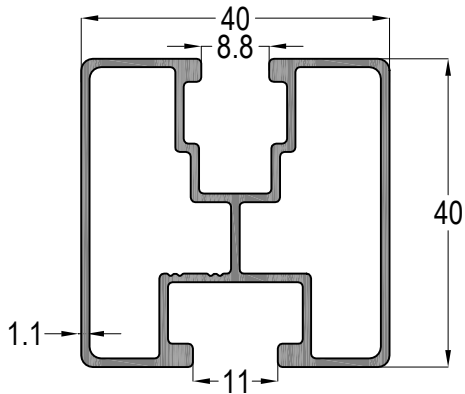
	RAIL PROFILE			RAIL PROFILE	
	Profile No	1165		Profile No	1975
	Alloy	6060		Alloy	6060
	Weight	0.755 kg/mt		Weight	1.002 kg/mt
	RAIL PROFILE			PANEL HOLDER	
	Profile No	1301		Profile No	1508
	Alloy	6060		Alloy	6060
	Weight	0.797 kg/mt		Weight	0.548 kg/mt
	RAIL PROFILE			PANEL HOLDER	
	Profile No	1671		Profile No	1509
	Alloy	6060		Alloy	6060
	Weight	0.797 kg/mt		Weight	0.522 kg/mt
	RAIL PROFILE			CROSS CONNECTOR	
	Profile No	1857		Profile No	1866
	Alloy	6060		Alloy	6060
	Weight	1.238 kg/mt		Weight	0.637 kg/mt
	PANEL FRAME			PANEL HOLDER	
	Profile No	1864		Profile No	1913
	Alloy	6060		Alloy	6060
	Weight	0.469 kg/mt		Weight	0.569 kg/mt
	RAIL PROFILE			PANEL HOLDER	
	Profile No	1867		Profile No	1911
	Alloy	6060		Alloy	6060
	Weight	0.902 kg/mt		Weight	0.461 kg/mt

PROFILES LIST

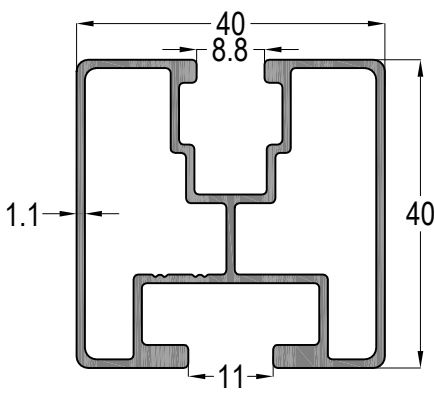
	PANEL HOLDER			
	Profile No	1912		
	Alloy	6060		
	Weight	0.575 kg/mt		
	CORNER JOINT			
	Profile No	13-09689		
	Alloy	6060		
	Weight	1.026 kg/mt		
	ROOF HOOK STANDARD			
	Package	Piece		
	PANTILE ROOF HOOK ADJUSTABLE VARIO			
	Package	Piece		

* Profile mold must be checked before the order

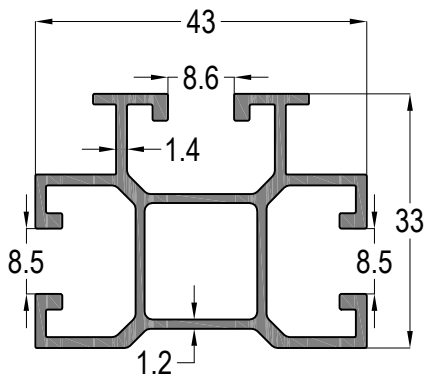
Profile weights are theoretical and the weight at the time of delivery is valid.



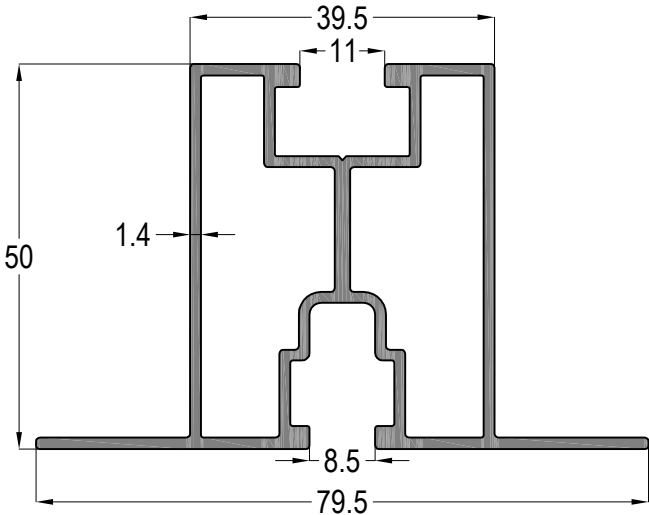
1165
AĞIRLIK / Weight
0.755 kg/mt



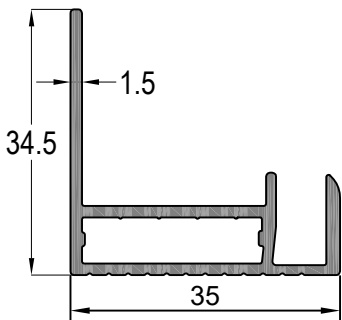
1301
AĞIRLIK / Weight
0.797 kg/mt



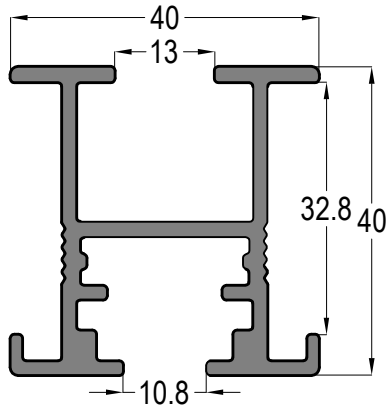
1671
AĞIRLIK / Weight
0.748 kg/mt



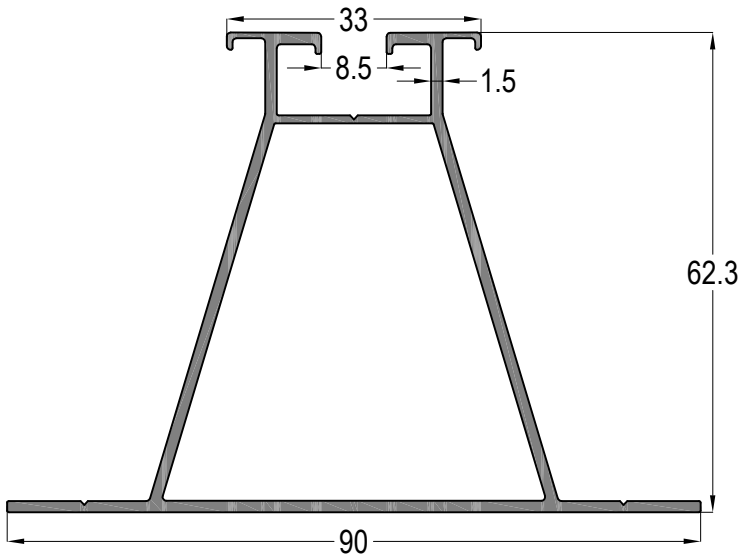
1857
AĞIRLIK / Weight
1.238 kg/mt



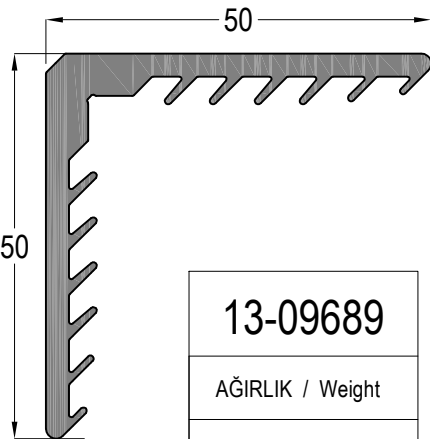
1864
AĞIRLIK / Weight
0.469 kg/mt



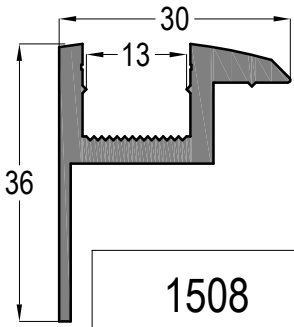
1867
AĞIRLIK / Weight
0.902 kg/mt



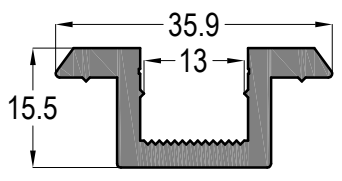
1864
AĞIRLIK / Weight
0.469 kg/mt



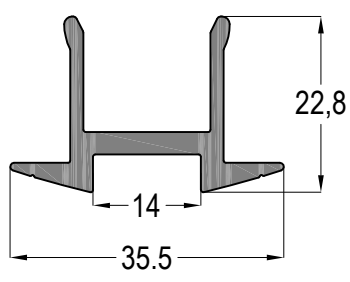
13-09689
AĞIRLIK / Weight
1.026 kg/mt



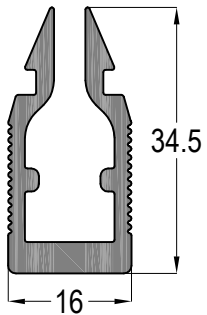
1508
AĞIRLIK / Weight
6 mt / pcs



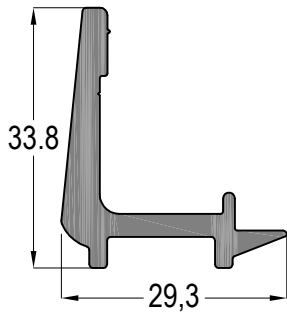
1864
AĞIRLIK / Weight
6 mt / pcs



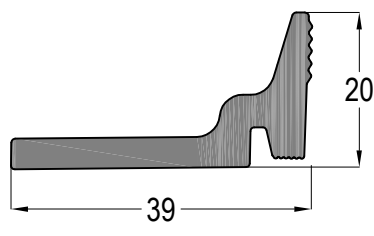
1911
AĞIRLIK / Weight
0.461 kg/mt



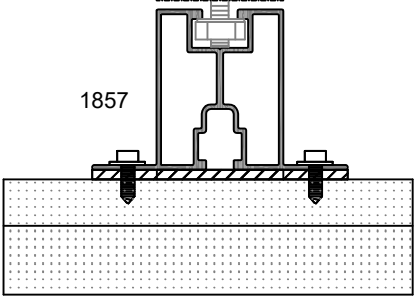
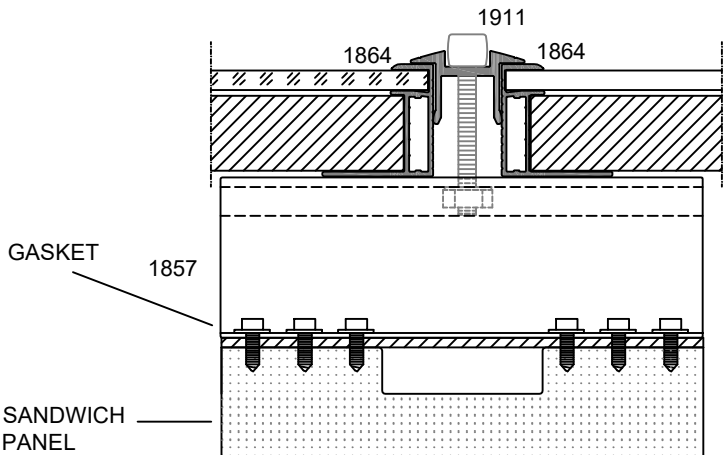
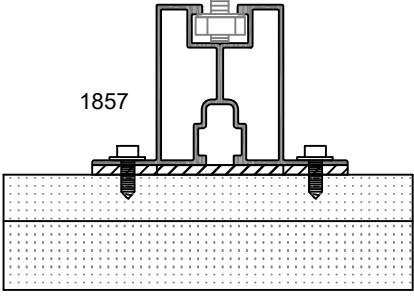
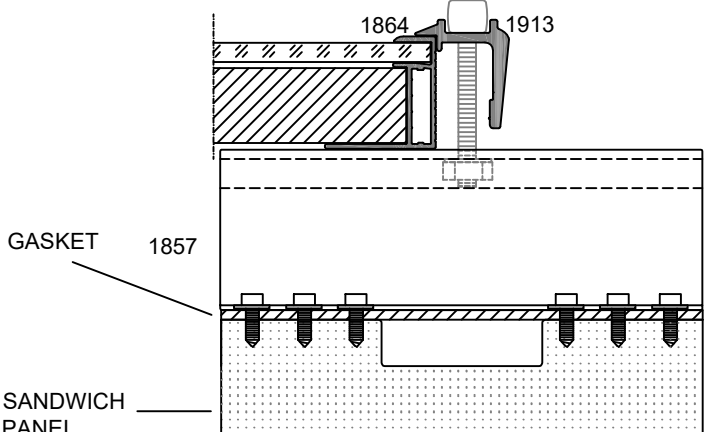
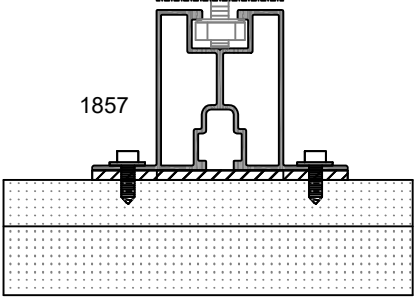
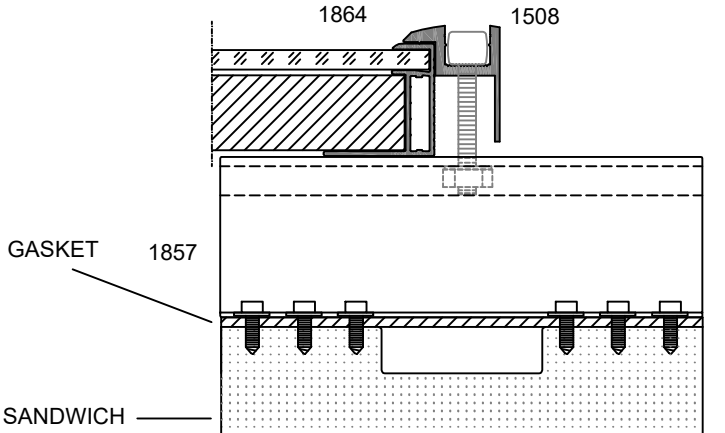
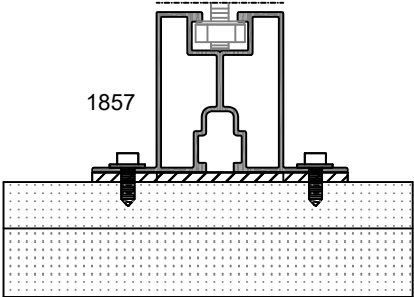
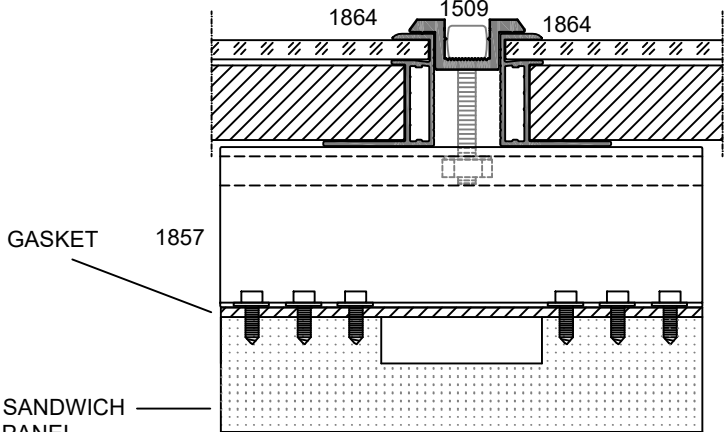
1912
AĞIRLIK / Weight
0.575 kg/mt



1913
AĞIRLIK / Weight
0.569 kg/mt



1866
AĞIRLIK / Weight
6 mt / pcs



ABOUT US

ASISTAL ALUMINUM, which has a widespread sales network in the Marmara and Aegean regions, has been serving since 1994. Our factory is located in Kirklareli Organized Industrial Zone and is established on an open area of 48000 m² and a closed area of 30000 m².

In our factory, which follows the latest technological developments; We have a mold archive containing approximately 6500 molds with a high shelf stock system. We produce with a monthly capacity of 2500 tons and an annual capacity of 30000 tons with our four extrusion press lines of 5,6,7 and 8 inches.

In our fully automated anodizing facility, where we can process up to 7 meters of profile length; We can apply anodized coating thickness of up to 25 microns with a monthly capacity of 1200 tons and an annual capacity of 14400 tons, and we can color inox, bronze, brown, black, yellow and maroon.

We apply powder coating process with a monthly capacity of 2500 tons and an annual capacity of 30000 tons in our one horizontal and one vertical electrostatic powder coating lines, where we can process up to 7.5 mt.

We obtain various wooden patterns with our Wooden transfer line with a capacity of 600 tons/year, and we contribute to not cutting our trees with the slogan of "Let's protect our nature".

In our mechanical processing facility; We make our products ready for assembly with CNC, eccentric press and precision cutting saws, and we provide thermal insulation in our architectural systems in our heat barrier assembly line. We also increase our mechanical processing capacity with the investments we make.

In our newly commissioned Aluminum Billet Foundry facility, with a capacity of 3000 tons/month in the first stage and 5000 tons/month in the second stage; We will perform Billet casting in 1XXX, 3XXX, 5XXX and 6XXX series alloys homogenized in 5,6,7,8 and 9 inch diameters.

In our environmentally friendly facility, reusable water can be obtained with our chemical treatment unit with a capacity of 25m³/hour (600 m³/day). ASISTAL ALUMINYUM exports to 40 countries; Europe, the Middle East, Central America and especially the Balkans.

We continue our activities in our main sales stores in Çorlu, Tekirdağ, Edirne, İstanbul, Ankara, İzmir, USA New Jersey and Bulgaria Sofia.

SERTİFİKALAR

CERTIFICATES



IATF 16949:2016



ISO 9001



ISO 14001



ISO 45001



CE EN 15088 CPR



CE EN 15088 CPR



TS EN 755-1



TS EN 12020



TS 4922



QUALANOD



QUALICOAT SEASIDE



asistal.com

Tel: +90 (288) 263 44 15

Fax: +90 (288) 263 43 36

E-Mail: info@asistal.com

Organize San. Bölğ.No: 2, Cad.2 Kırklareli / Türkiye