

ATRIUM® HKS

tilt and slide



HAUTAU

OPENS NEW DIMENSIONS



WINDOW HARDWARE



HAUTAU ATRIUM® HKS

for deep profiles

With 125 mm (aluminium 117 mm), the bogies and stays of ATRIUM HKS provide a large opening width. This makes this fitting an excellent choice for deep sash profiles and meets all requirements expected from highly efficient heat insulating window systems.

floor-to-ceiling window doors

Thanks to the rugged design of its stays and bogies, the ATRIUM HKS® can be used for sash rebate heights of up to 2,700 mm. This fitting system is meeting the architectonic challenge for floor-to-ceiling window doors.

safe and convenient handling

The bogies of the ATRIUM HKS® have a roller diameter of 28 mm and require only 35 mm of space. The concealed control system, the non-soiling guide block, and the spring-loaded catches made of special PVC, which let the fitting engage smoothly in its tilt position, guarantee a long lifespan, excellent running characteristics and easy operation.

faulty operation? - not if using the HAUTAU onTop

The anti-mishandling device works in an efficient and convenient way. It also prevents the sash from being lifted out. Thanks to its position facing away from the handle on the sash side, the anti-handling device can also be used in combination with french doors (scheme C).

easy installation

Only one tool is required to adjust the sash thanks to the height adjustment including safety clip. Movable connecting clips, cover fillet supports with a groove clamping mechanism as well as central locking components locked in centre position and French door strikers pre-installed on the espag rod simplify installation. Up to a sash weight of 160 kg (depending on the screw extraction values) there is no need to support the running track.

sash weights of up to 200 kg

The HKS® TWIN bogie including one-part housing reliably supports sash weights of up to 200 kg. The bogie reduces profile torsion significantly and thereby, increases the lifespan of the window. The pre-assembled bogies reduce the fabrication time considerably.

universal-cam

This smoothly operating roller cam adjusts automatically to any fittings cavity tolerances and ensures permanent convenient operation. Standard security as required by RC1 – the RC2 security level is already ensured by the use of security strikers.



- upper and lower buffers are stopping the sash safely in its open position
- bogies with cleaning brushes ensure a long lifespan and smooth operation
- short distance between supporting bolt and sash for perfect weight support and minimum stress on the sash profile
- the stay packet with its installation height of only 9 mm provides for the greatest possible height adjustment of the sash

ATRIUM® HKS 200 Z
with automatic operation

ATRIUM® HKS 160 S
with spring-loaded catches

sash weight:	max. 200 kg	max. 200 kg	max. 160 kg	max. 160 kg
sash height:	720–2000 mm	670–2000 mm	620–1650 mm	670–1680mm
sash rebate height:	900–2700 mm	930–2700 mm	650–2700 mm	930–2380 mm
frame clearance:	35 mm	35 mm	35 mm	35 mm

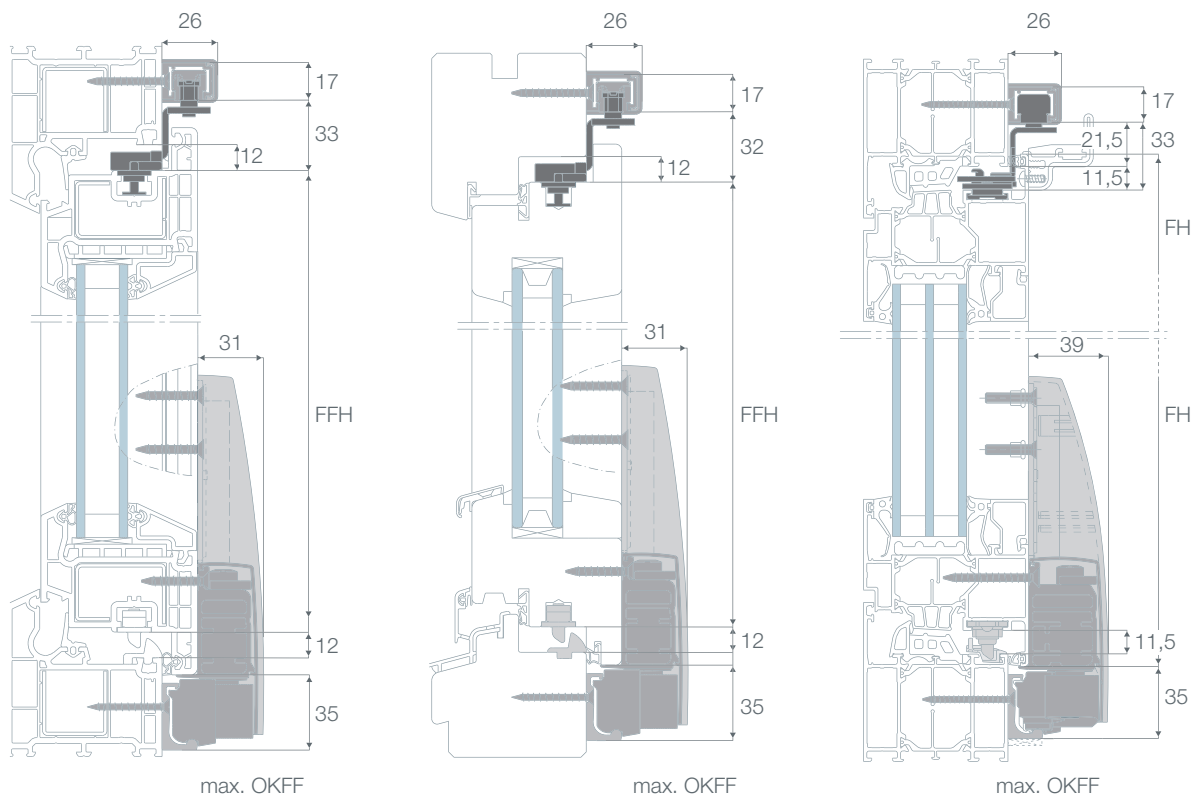


Aluminium
 PVC
 Timber

Parallel Tilt and Slide system

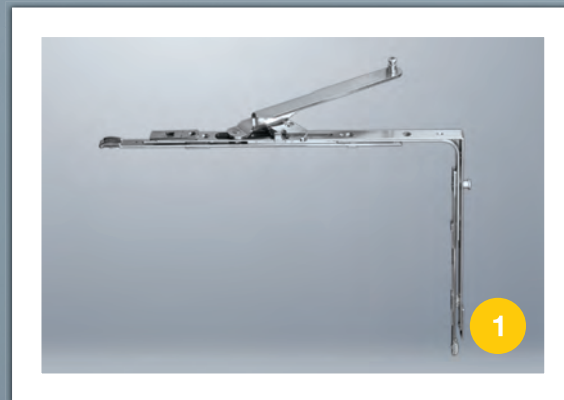
technology at its finest

With 125 mm (aluminium 117 mm), the bogies and stays provide a large opening width. This makes this fitting an excellent choice for deep sash profiles and meets all requirements expected from highly efficient heat insulation window systems.



Intelligent options that make all the difference...

1. Secure opening position and further improved permanent operation thanks to a stay design including joint mechanics.
2. Secure frame-sash connection with visual control option thanks to a glider.
3. Spring-loaded catches made of special PVC for particularly smooth locking into the tilt position.
4. The height adjustment Only one tool is required to adjust the sash thanks to the height adjustment, which is secured against twisting by a safety clip.
5. The HKS 200 TWIN bogie including one-part housing reliably supports sash weights of up to 200 kg. The bogie reduces profile torsion significantly and thereby, increases the lifespan of the window. The pre-assembled bogies reduce the fabrication time considerably.
6. safety operation by handle-driven fitting and integrated anti-mishandling device.



□ Aluminium □ PVC □ Timber



MADE IN GERMANY

Experience, creativity and cutting-edge expertise – HAUTAU's specialist knowledge sets benchmarks worldwide, defining technical standards to create perfection in hardware systems and window automation.

Probably more than any other company, HAUTAU has dealt with all window opening types and operation systems. Over 400 patents, numerous utility models and a global market presence serve as a testament to HAUTAU's success.