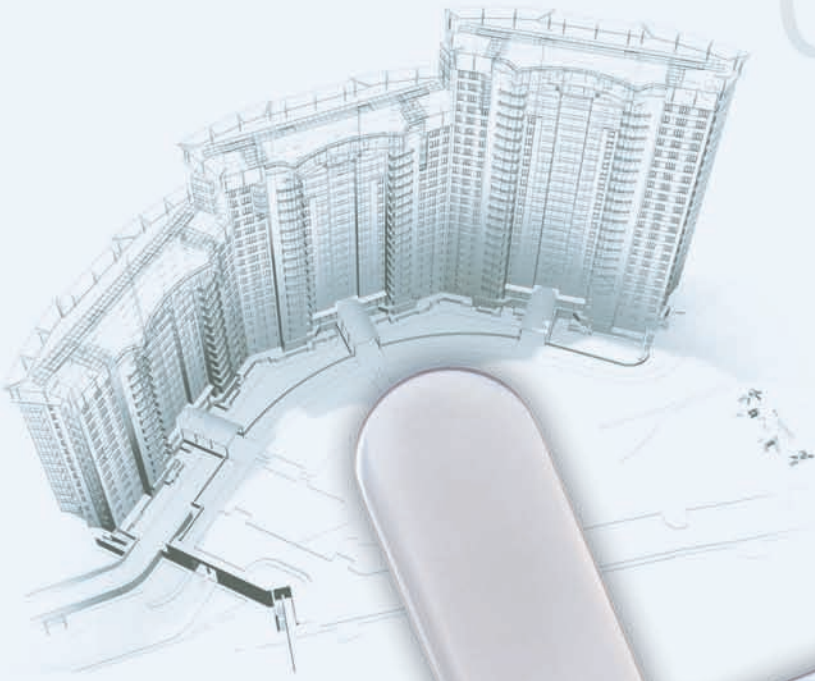


# Catalogue 2018



*Quality is in your hand*

**imat**

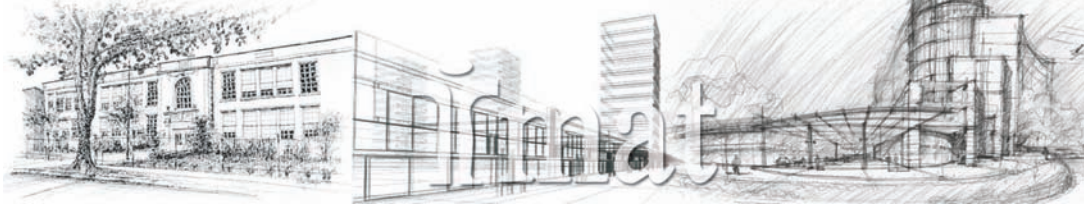
imat





# İmat

Quality is in your hand



**TÜRK STANDARLARI ENSTİTÜSÜ**  
**TÜRK STANDARLARINA UYGUNLUK BELGESİ**  
**TURKISH STANDARDS INSTITUTION**  
**CERTIFICATE OF CONFORMITY TO TURKISH STANDARDS**

Markanın Tanımı Description of the Mark  
TSE TSE

<b>BELGE NUMARASI</b> REFERENCE NUMBER OF LICENCE	001634-TSE-02/03
<b>BELGENİN İLK VERİLİŞ TARİHİ</b> DATE OF FIRST ISSUE OF LICENCE	11.01.2011
<b>BELGENİN SON GEÇERLİLİK TARİHİ</b> LICENCE VALID UNTIL	19.09.2018
<b>BELGE SAHİBİ KURULUŞUN ADI</b> NAME OF THE LICENCE HOLDER	İMAT MODERN YAPI AKSESUAR SAN. VE İNŞ. TİCARET ANONİM ŞİRKETİ
<b>BELGE SAHİBİ KURULUŞUN ADRESİ</b> ADDRESS OF THE LICENCE HOLDER	ORGANİZE SAN. BÖLGESİ AKHUN CAD. NO:8 SINCAN ANKARA/TÜRKİYE
<b>ÜRETİM YERİ ADI</b> NAME OF THE MANUFACTURING PLACE	İMAT MODERN YAPI AKSESUAR SANAYİ VE İNŞAAT TİCARET ANONİM ŞİRKETİ
<b>ÜRETİM YERİ ADRESİ</b> ADDRESS OF THE MANUFACTURING PLACE	ORGANİZE SAN. BÖLGESİ AKHUN CAD. NO:8 SINCAN ANKARA / TÜRKİYE
<b>İPTAL EDİLEN BELGE NUMARASI (Varsa)</b> INDICATION OF SUPERSEDED LICENCE (if any)	001634-TSE-02/02
<b>TESCİLLİ TİCARİ MARKASI</b> REGISTERED TRADE MARK	İMAT
<b>İLGİLİ TÜRK STANDARTI</b> RELATED TURKISH STANDARD	TS EN 13126-1 / Building hardware - Hardware for windows and door height windows - Requirements and test methods - Part 1. Requirements common to all types of hardware / 27.12.2012 - TS EN 13126-3 / Building hardware - Hardware for windows and door height windows - Requirements and test methods - Part 3. Handles, primarily for T&S/Tum, Tib-First and Turn-Only hardware / 27.12.2012

**BELGE KAPSAMI**  
SCOPE OF LICENCE

Handles, primarily for T&S/Tum, Tib-First and Turn-Only hardware  
Category of use: Grade 1  
Durability: Grade 3/50 (10.000 Turn-Only cycles)  
Mass: No requirement  
Fire resistance: Grade 0 (No requirements)  
Safety in use: Grade 1  
Corrosion resistance: Grade 2  
Security: Grade 0D (Without security / without locking mechanism)

23/10/2017  
MEHMET AYKUTALPOĞLU  
MACHINERY SECTOR  
DIRECTORATE

The licence holder is responsible for ensuring that the product conforms to the requirements of the standard.  
The licence holder is responsible for ensuring that the product conforms to the requirements of the standard.  
TSE BELGE SAHİBİ KURULUŞUN ADI: İMAT MODERN YAPI AKSESUAR SAN. VE İNŞ. TİCARET ANONİM ŞİRKETİ  
TSE BELGE SAHİBİ KURULUŞUN ADRESİ: ORGANİZE SAN. BÖLGESİ AKHUN CAD. NO:8 SINCAN ANKARA / TÜRKİYE  
TSE BELGE SAHİBİ KURULUŞUN İLETİŞİM BİLGİLERİ: TEL: 0312 416 86 27 FAX: 0312 416 86 27 E-POSTA: info@tse.org.tr www: www.tse.org.tr

<https://www.tse.org.tr/Belge/BelgeDurumu.aspx?Tarih=20171023> 1/2

**TÜRK STANDARLARI ENSTİTÜSÜ**  
**TÜRK STANDARLARINA UYGUNLUK BELGESİ EKİ**  
**TURKISH STANDARDS INSTITUTION**  
**CERTIFICATE OF CONFORMITY TO TURKISH STANDARDS APPENDIX**

BELGE KAPSAMI (001634-TSE-02/03nolu belge devamı) İMAT MODERN YAPI AKSESUAR SAN. VE İNŞ. TİCARET ANONİM ŞİRKETİ  
İLGİLİ TÜRK STANDARTI(RELATED TURKISH STANDARD) TS EN 13126-1 / Building hardware - Hardware for windows and door height windows - Requirements and test methods - Part 1. Requirements common to all types of hardware / 27.12.2012 - TS EN 13126-3 / Building hardware - Hardware for windows and door height windows - Requirements and test methods - Part 3. Handles, primarily for T&S/Tum, Tib-First and Turn-Only hardware / 27.12.2012

Applicable part: 3/C1 (Part 3 / Clickable / Window handle)  
Test sizes: No requirement  
1 / (3/50) / - / 0 / 1 / 2 / (50) / (3/C1) / -

(S.C. 18.09.2017)  
Handles, primarily for T&S/Tum, Tib-First and Turn-Only hardware  
Category of use: Grade 2  
Durability: Grade 3/180 (10.000 T&S/Tum cycles)  
Mass: No requirement  
Fire resistance: Grade 0 (No requirements)  
Safety in use: Grade 1  
Corrosion resistance: Grade 2  
Security: Grade 0D (Without security / without locking mechanism)  
Applicable part: 3/C1 (Part 3 / Clickable / Window handle)  
Test sizes: No requirement  
2 / (3/180) / - / 0 / 1 / 2 / (50) / (3/C1) / -

(S.C. 18.09.2017)  
Handles, primarily for T&S/Tum, Tib-First and Turn-Only hardware  
Category of use: Grade 2  
Durability: Grade 3/180 (10.000 T&S/Tum cycles)  
Mass: No requirement  
Fire resistance: Grade 0 (No requirements)  
Safety in use: Grade 1  
Corrosion resistance: Grade 2  
Security: Grade 1/2 (35 Nm resistance against twisting-off and forcing-off / Key-operated locking mechanism with 5 Nm locking variations)  
Applicable part: 3/C1 (Part 3 / Clickable / Window handle)  
Test sizes: No requirement  
2 / (3/180) / - / 0 / 1 / 2 / (12) / (3/C1) / -

23/10/2017  
MEHMET AYKUTALPOĞLU  
MACHINERY SECTOR  
DIRECTORATE

The licence holder is responsible for ensuring that the product conforms to the requirements of the standard.  
The licence holder is responsible for ensuring that the product conforms to the requirements of the standard.  
TSE BELGE SAHİBİ KURULUŞUN ADI: İMAT MODERN YAPI AKSESUAR SAN. VE İNŞ. TİCARET ANONİM ŞİRKETİ  
TSE BELGE SAHİBİ KURULUŞUN ADRESİ: ORGANİZE SAN. BÖLGESİ AKHUN CAD. NO:8 SINCAN ANKARA / TÜRKİYE  
TSE BELGE SAHİBİ KURULUŞUN İLETİŞİM BİLGİLERİ: TEL: 0312 416 86 27 FAX: 0312 416 86 27 E-POSTA: info@tse.org.tr www: www.tse.org.tr

<https://www.tse.org.tr/Belge/BelgeDurumu.aspx?Tarih=20171023> 2/2

**TÜRK STANDARLARI ENSTİTÜSÜ**  
**TÜRK STANDARLARINA UYGUNLUK BELGESİ**  
**TURKISH STANDARDS INSTITUTION**  
**CERTIFICATE OF CONFORMITY TO TURKISH STANDARDS**

Markanın Tanımı Description of the Mark  
TSE TSE

<b>BELGE NUMARASI</b> REFERENCE NUMBER OF LICENCE	001634-TSE-01/02
<b>BELGENİN İLK VERİLİŞ TARİHİ</b> DATE OF FIRST ISSUE OF LICENCE	25.04.2013
<b>BELGENİN SON GEÇERLİLİK TARİHİ</b> LICENCE VALID UNTIL	25.04.2018
<b>BELGE SAHİBİ KURULUŞUN ADI</b> NAME OF THE LICENCE HOLDER	İMAT MODERN YAPI AKSESUAR SAN. VE İNŞ. TİCARET ANONİM ŞİRKETİ
<b>BELGE SAHİBİ KURULUŞUN ADRESİ</b> ADDRESS OF THE LICENCE HOLDER	ORGANİZE SAN. BÖLGESİ AKHUN CAD. NO:8 SINCAN ANKARA/TÜRKİYE
<b>ÜRETİM YERİ ADI</b> NAME OF THE MANUFACTURING PLACE	İMAT MODERN YAPI AKSESUAR SANAYİ VE İNŞAAT TİCARET ANONİM ŞİRKETİ
<b>ÜRETİM YERİ ADRESİ</b> ADDRESS OF THE MANUFACTURING PLACE	ORGANİZE SAN. BÖLGESİ AKHUN CAD. NO:8 SINCAN ANKARA / TÜRKİYE
<b>İPTAL EDİLEN BELGE NUMARASI (Varsa)</b> INDICATION OF SUPERSEDED LICENCE (if any)	001634-TSE-01/01
<b>TESCİLLİ TİCARİ MARKASI</b> REGISTERED TRADE MARK	İMAT
<b>İLGİLİ TÜRK STANDARTI</b> RELATED TURKISH STANDARD	TS EN 1906:2012(EN) / Building hardware - Lever handles and knob furniture - Requirements and test methods / 19.07.2012

**BELGE KAPSAMI**  
SCOPE OF LICENCE

BUILDING HARDWARE - LEVER HANDLES AND KNOB FURNITURE  
CATEGORY OF USE: GRADE 1  
DURABILITY: GRADE 8  
DOOR MASS:  
FIRE RESISTANCE: GRADE 0  
SAFETY: GRADE 0  
CORROSION RESISTANCE: GRADE 1  
SECURITY: GRADE 0  
TYPE OF OPERATION TYPE A: (SPRING-ASSISTED FURNITURE)  
CLASSIFICATION: 1/8/-/0/0/1/0/A

22/12/2017  
VOLKAN GÜLEÇ  
MACHINERY SECTOR  
DIRECTORATE

The licence holder is responsible for ensuring that the product conforms to the requirements of the standard.  
The licence holder is responsible for ensuring that the product conforms to the requirements of the standard.  
TSE BELGE SAHİBİ KURULUŞUN ADI: İMAT MODERN YAPI AKSESUAR SAN. VE İNŞ. TİCARET ANONİM ŞİRKETİ  
TSE BELGE SAHİBİ KURULUŞUN ADRESİ: ORGANİZE SAN. BÖLGESİ AKHUN CAD. NO:8 SINCAN ANKARA / TÜRKİYE  
TSE BELGE SAHİBİ KURULUŞUN İLETİŞİM BİLGİLERİ: TEL: 0312 416 86 27 FAX: 0312 416 86 27 E-POSTA: info@tse.org.tr www: www.tse.org.tr

<https://www.tse.org.tr/Belge/BelgeDurumu.aspx?Tarih=20171222> 1/1

**CERTIFICATE** **IQR CERTIFICATION**

**İMAT MODERN YAPI AKSESUAR SAN. VE İNŞ. TİC. A.Ş.**  
AKHUN CAD. NO: 8 ORGANİZE SANAYİ BÖLGESİ SINCAN / ANKARA / TÜRKİYE

Has been assessed and found to Comply with the Requirements of:  
Denetlenmiş ve uygunluk standart gerekliliklerine uygunluğu görülmüştür:

**ISO 9001:2015**

The Quality Management System is applicable to:  
Kalite Yönetim Sistemi:

**MANUFACTURE AND DESIGN OF PLASTIC, ALUMINIUM DOOR AND WINDOW HANDLES, HINGES AND ACCESSORIES**  
**PLASTİK, ALÜMİNYUM PENCERE VE KAPI KOLLARI, MENTEŞE AKSESUARLARININ TASARIM VE İMALATI**

Certificate Number: QMS-01665  
Belge Numarası: QMS-01665

Initial Certification Date: 03.10.2017  
İlk Belgeleme Tarihi: 03.10.2017

Certification Period: 3 years  
Belgeleme Periyodu: 3 yıl

Certificate Expiry Date: 02.10.2018  
Belge Geçerlilik Tarihi: 02.10.2018

**IQR Sertifikasyon Ocağı**

**IQR ULUSLARARASI BELGELENDİRME HİZMETLERİ LTD. ŞTİ.**  
Hürriyet Mh. Apd'n 51. No:2 Kat:3 Osmangazi / BURSA  
Tel: +90.224.266.00.10 Fax: +90.224.249.41.13 www.iqrcert.com e-posta: info@iqrcert.com

**ACCREDITED**  
Management Systems Certification Body  
MSCB-135



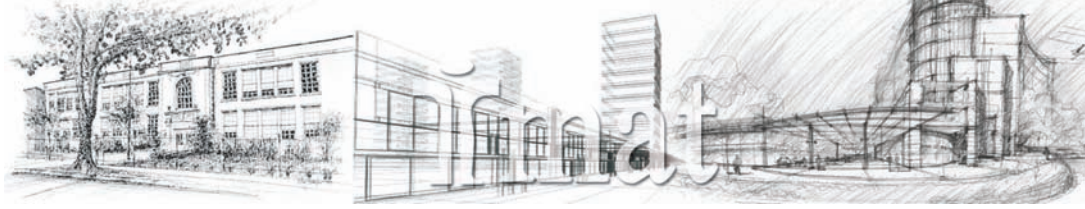


**WINDOW HANDLES**  
***PENCERE KOLLARI***



# İmat

Quality is in your hand



## ANODIZED WINDOW HANDLES

EF 01

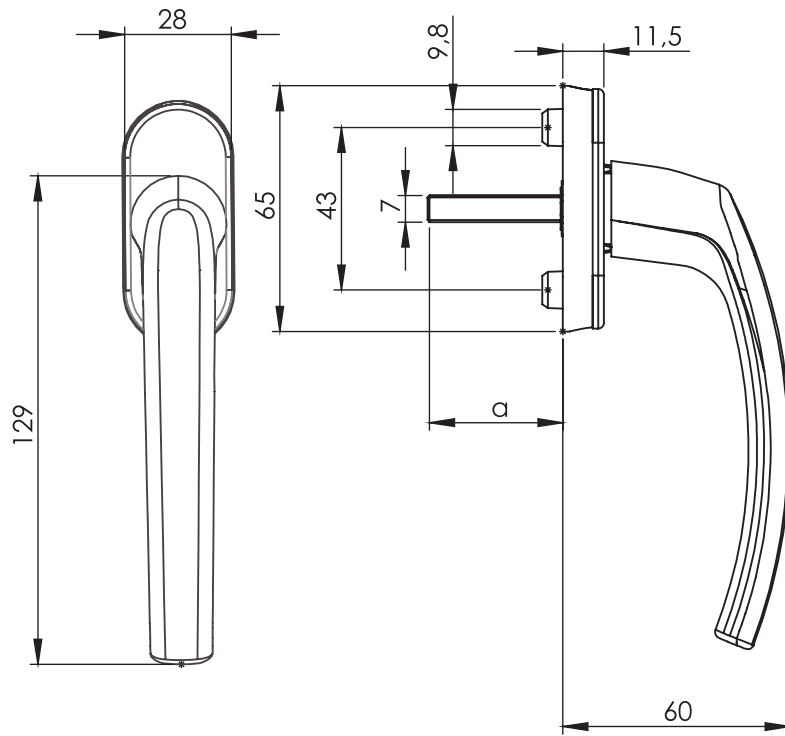
EF 02

EF 03

EF 04

EF 09

OVAL FILİZ



TEKNİK ÖZELLİKLER ve ÜRÜN KODU TECHNICAL SPECIFICATIONS AND PRODUCT CODE						
KOL CİNSİ HANDLE TYPE	TİP TYPE		VIDA BOYU SCR LENGHT	DEMİR BOYU (a) SQU LENGHT	KLT KONUMU LOCKING POS.	RENK KODU COLOR CODE
PE. OFL.	00	050	40	35	45	EF 01  Silver
			45	38		EF 02  Champagne
			50	40		EF 03  Gold
				45		EF 04  Bronze
						EF 06  Matt Silver
						EF 09  Inox Look

SAMPLE CODE  
PE. OFL.

00

050

40

38

90

EF 04





# İmat



## ANODIZED WINDOW HANDLES

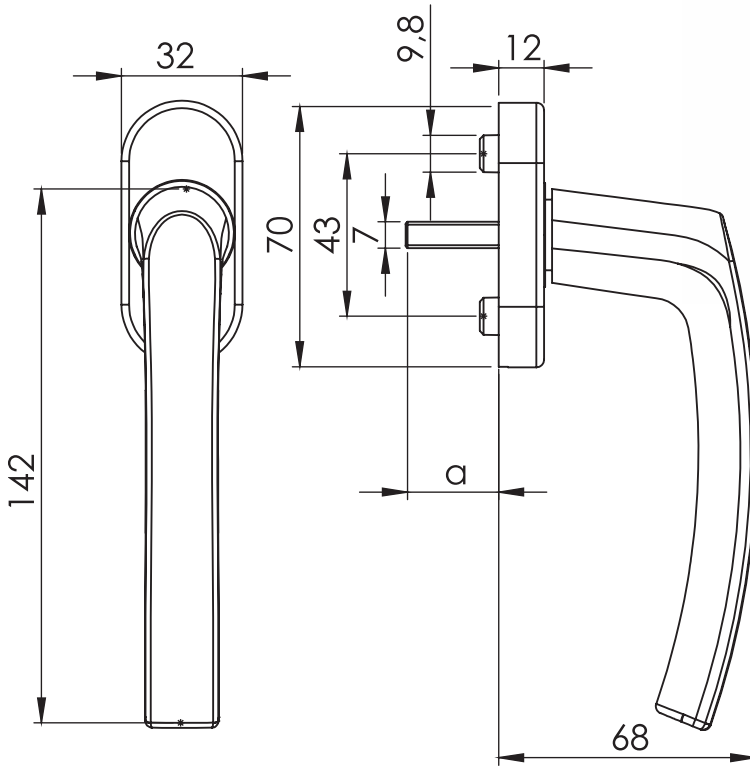
Quality is in your hand







**EF 01**

**EF 04**

**EF 09**

**BATI**



TEKNİK ÖZELLİKLER ve ÜRÜN KODU TECHNICAL SPECIFICATIONS AND PRODUCT CODE						
KOL CİNSİ HANDLE TYPE	TİP TYPE		VİDA BOYU SCR LENGHT	DEMİR BOYU (a) SQU LENGHT	KLT KONUMU LOCKING POS.	RENK KODU COLOR CODE
PE. BAT.	00	050	40	35	45	EF 01  Silver
			45	38		EF 02  Champagne
			50	40		EF 03  Gold
						EF 04  Bronze
						EF 06  Matt Silver
						EF 09  Inox Look

SAMPLE CODE  
PE. BAT.

00

050

40

38

90

EF 04

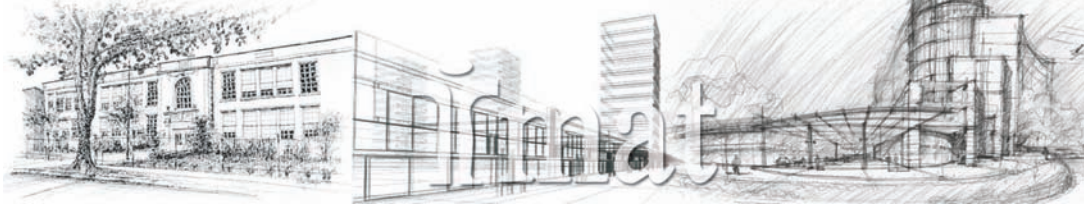
## ELOKSAL PENCERE KOLLARI

3



# İmat

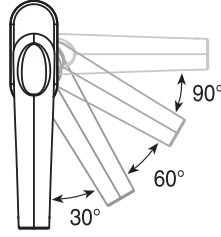
Quality is in your hand



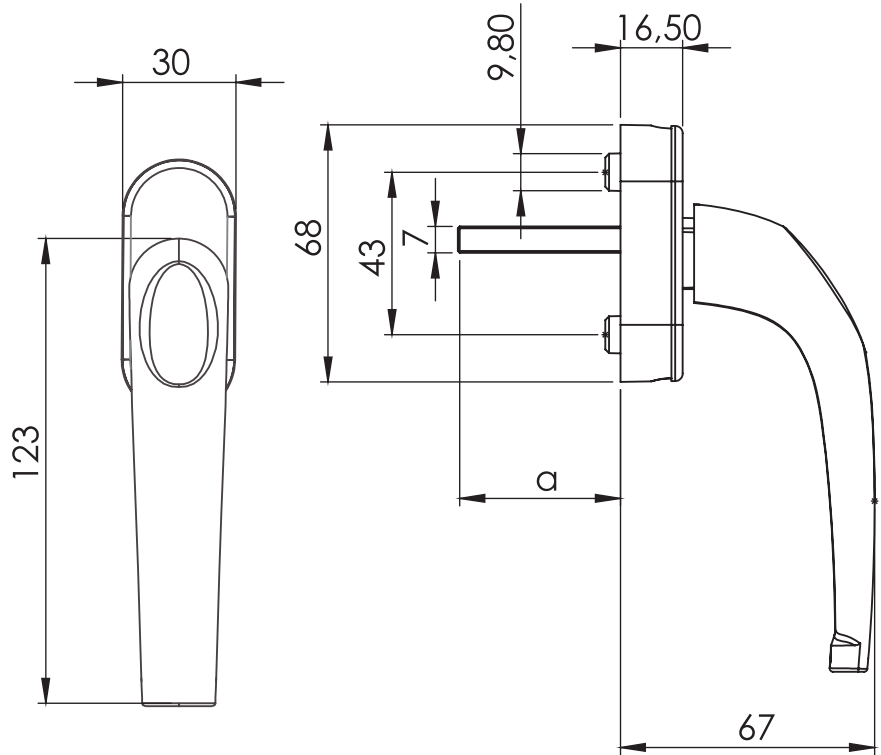
ACOUSTIC HANDLES

AKUSTİK FALCON

**ANODIZED**  
**EF 01 EF 04**



**POWDER PAINTED**  
**9016**



TEKNİK ÖZELLİKLER ve ÜRÜN KODU TECHNICAL SPECIFICATIONS AND PRODUCT CODE						
KOL CİNSİ HANDLE TYPE	TİP TYPE	VIDA BOYU SCR LENGHT	DEMİR BOYU (a) SQU LENGHT	KLT KONUMU LOCKING POS.	RENK KODU COLOR CODE	
			35		EF 01	Silver
			38		EF 02	Champagne
		40	40		EF 03	Gold
PE.FLC.	AK	45	40	00	EF 04	Bronze
PB.FLC.		50	45		EF 06	Matt Silver
					EF 09	Inox Look

SAMPLE CODE  
PE.FLC.

AK 050

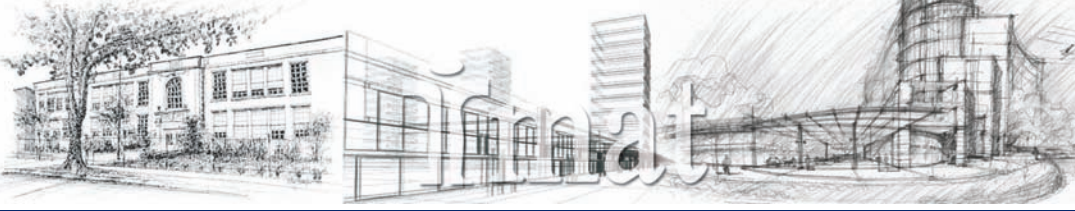
40

38

00

EF 04





# İmat



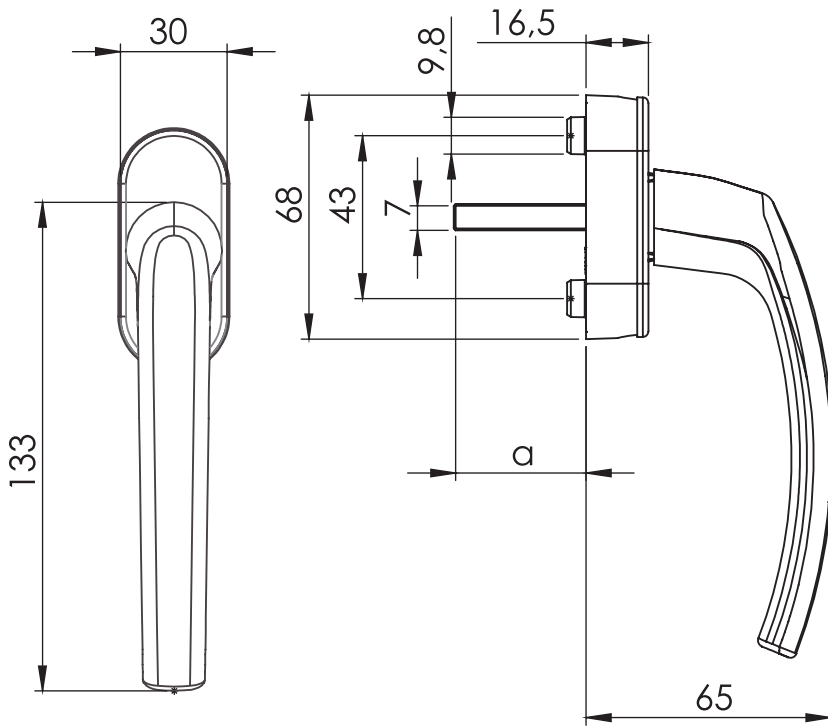
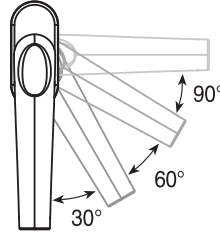
ACOUSTIC HANDLES

AKUSTİK OVAL FİLİZ

Quality is in your hand

ANODIZED  
EF 04 EF 09

**ir** akustik



TEKNİK ÖZELLİKLER ve ÜRÜN KODU TECHNICAL SPECIFICATIONS AND PRODUCT CODE						
KOL CINSİ HANDLE TYPE	TIP TYPE	VIDA BOYU SCR LENGHT	DEMİR BOYU (a) SQU LENGHT	KLT KONUMU LOCKING POS.	RENK KODU COLOR CODE	
PE.OFL. PB.OFL.	AK	050	40	35	00	EF 01  Silver
			45	38		EF 02  Champagne 9016
			45	40		EF 03  Gold 8003
			50	45		EF 04  Bronze 8019
					EF 06  Matt Silver 8022	
					EF 09  Inox Look	

SAMPLE CODE  
PE.OFL.

AK 050

40

38

00

EF 04

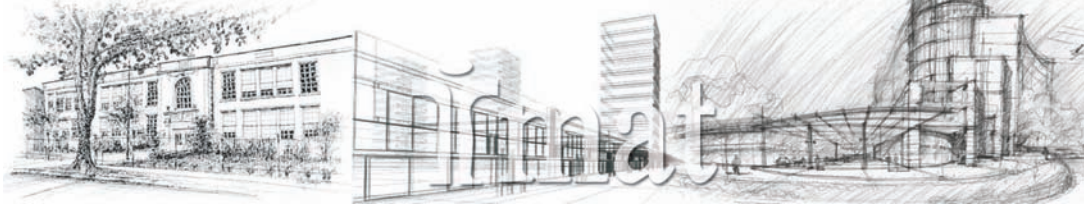
AKUSTİK KOLLARI

5



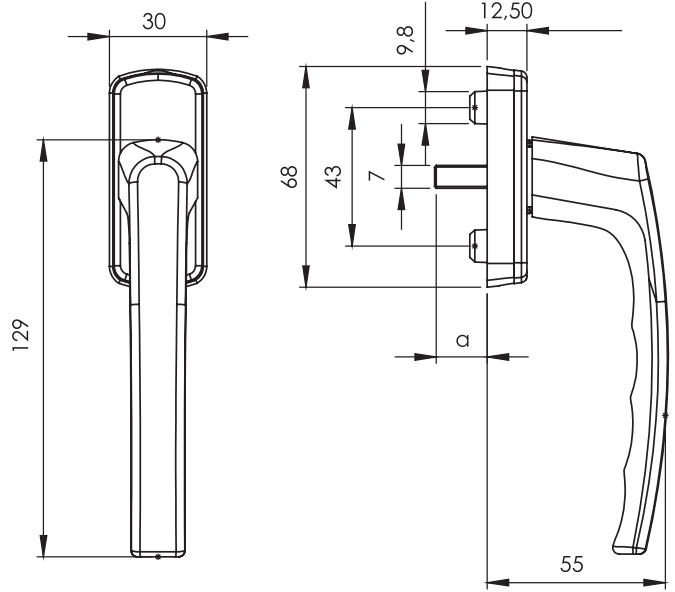
# İmat

Quality is in your hand



## ALUMINIUM WINDOW HANDLES

### CAPRI

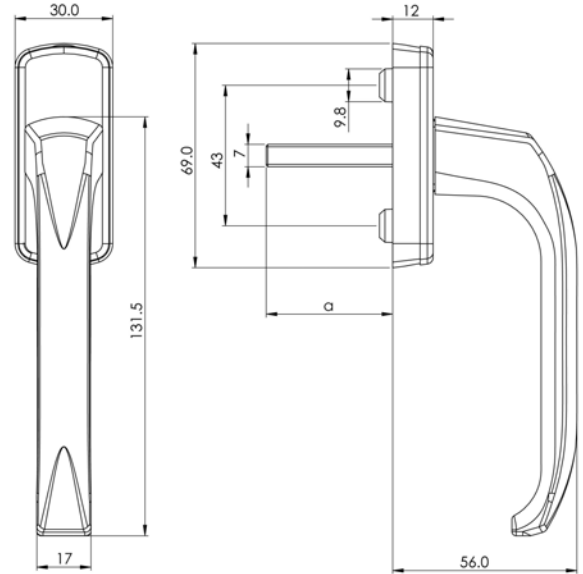


TEKNİK ÖZELLİKLER ve ÜRÜN KODU TECHNICAL SPECIFICATIONS AND PRODUCT CODE						
KOL CİNSİ HANDLE TYPE	TIP TYPE		VİDA BOYU SCR LENGHT	DEMİR BOYU (a) SQU LENGHT	KLT KONUMU LOCKING POS.	RENK KODU COLOR CODE
PB. CAP.	00	050	40	35	45	9016
			45	38		8003
				40		8019
				45		8022

SAMPLE CODE  
PB. CAP.

00 050 40 38 90 9016

### DENİZ

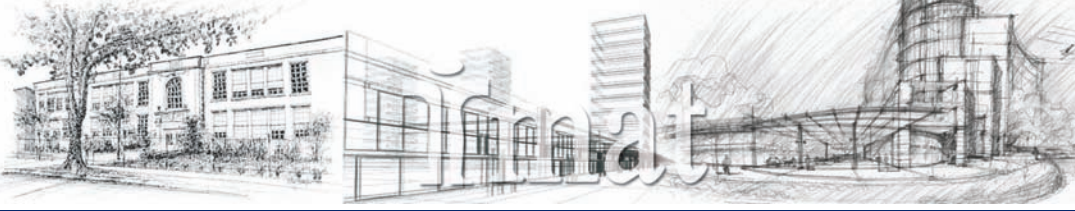


TEKNİK ÖZELLİKLER ve ÜRÜN KODU TECHNICAL SPECIFICATIONS AND PRODUCT CODE						
KOL CİNSİ HANDLE TYPE	TIP TYPE		VİDA BOYU SCR LENGHT	DEMİR BOYU (a) SQU LENGHT	KLT KONUMU LOCKING POS.	RENK KODU COLOR CODE
PB. DEN.	00	050	40	35	45	9016
			45	38		8003
				40		8019
				45		8022

SAMPLE CODE  
PB. DEN.

00 050 40 35 90 9016





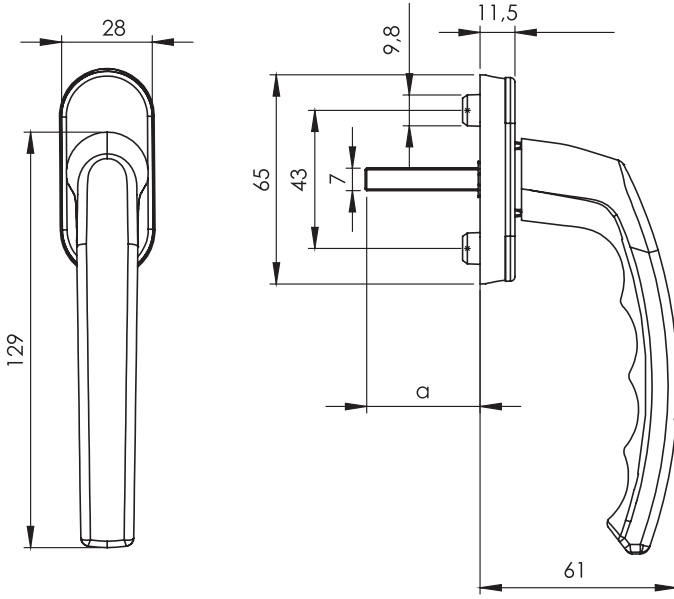
# İmat



Quality is in your hand

## ALUMINIUM WINDOW HANDLES

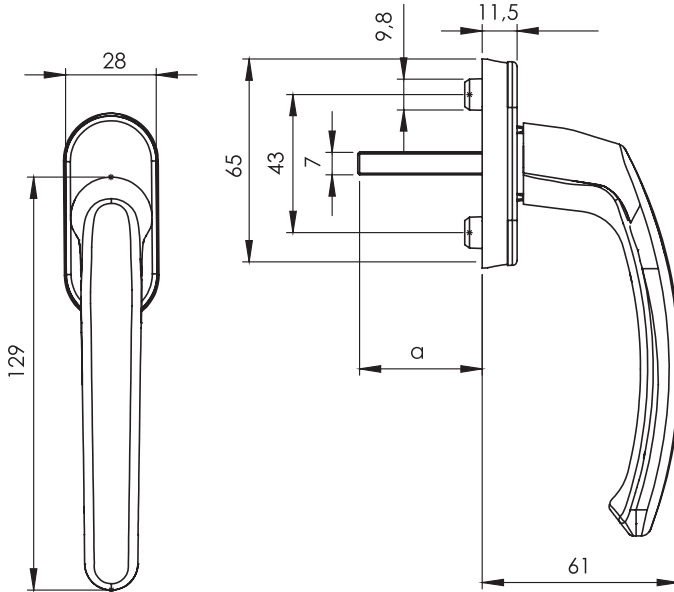
### BAHAR



TEKNİK ÖZELLİKLER ve ÜRÜN KODU TECHNICAL SPECIFICATIONS AND PRODUCT CODE						
KOL CİNSİ HANDLE TYPE	TİP TYPE		VIDA BOYU SCR LENGHT	DEMİR BOYU (a) SQU LENGHT	KLT KONUMU LOCKING POS.	RENK KODU COLOR CODE
PB. BAH.	00	050		35		9016
				38	45	8003
				40	90	8019
				45		8022

SAMPLE CODE  
PB. BAH. 00 050 45 38 90 9016

### BAHAR NON-FINGER



TEKNİK ÖZELLİKLER ve ÜRÜN KODU TECHNICAL SPECIFICATIONS AND PRODUCT CODE						
KOL CİNSİ HANDLE TYPE	TİP TYPE		VIDA BOYU SCR LENGHT	DEMİR BOYU (a) SQU LENGHT	KLT KONUMU LOCKING POS.	RENK KODU COLOR CODE
PB. BPZ.	00	050		35		9016
				38	45	8003
				40	90	8019
				45		8022

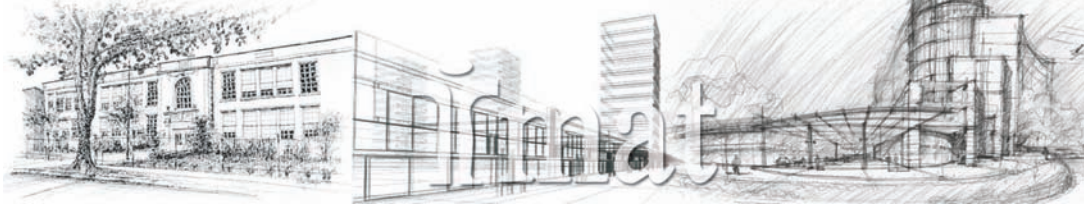
SAMPLE CODE  
PB. BPZ. 00 050 40 35 90 9016

## ALUMİNYUM PENCERE KOLLARI



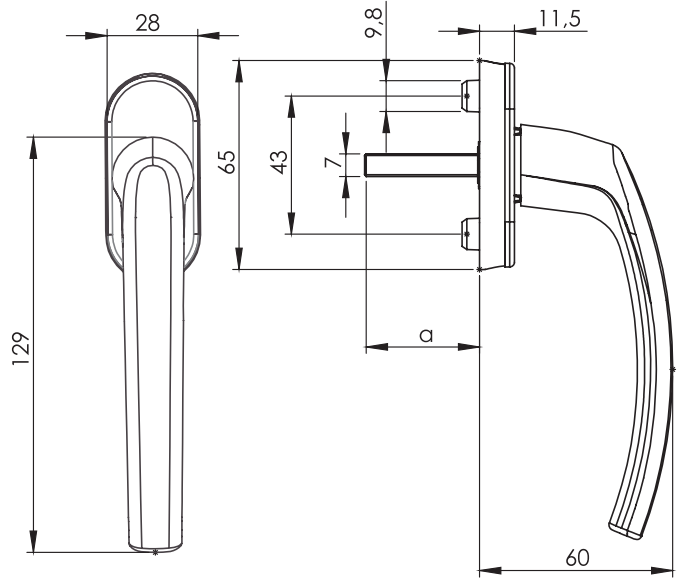
# İmat

Quality is in your hand



## ALUMINIUM WINDOW HANDLES

### OVAL FILİZ

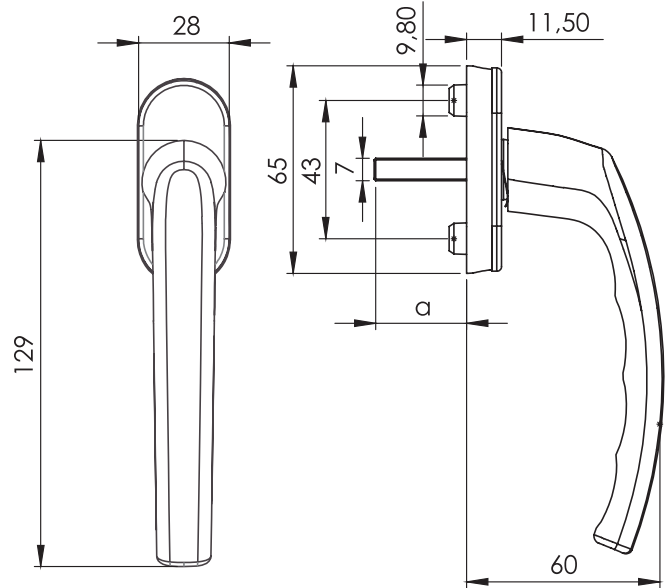


TEKNİK ÖZELLİKLER ve ÜRÜN KODU TECHNICAL SPECIFICATIONS AND PRODUCT CODE						
KOL CİNSİ HANDLE TYPE	TIP TYPE		VIDA BOYU SCR LENGHT	DEMİR BOYU (a) SQU LENGHT	KLT KONUMU LOCKING POS.	RENK KODU COLOR CODE
PB. OFL.	00	050	40	35	45	9016
			45	38	90	8003
				40		8019
				45		8022

SAMPLE CODE  
PB. OFL.

00 050 40 35 90 9016

### OVAL FILİZ FINGER



TEKNİK ÖZELLİKLER ve ÜRÜN KODU TECHNICAL SPECIFICATIONS AND PRODUCT CODE						
KOL CİNSİ HANDLE TYPE	TIP TYPE		VIDA BOYU SCR LENGHT	DEMİR BOYU (a) SQU LENGHT	KLT KONUMU LOCKING POS.	RENK KODU COLOR CODE
PB. OPF.	00	050	40	35	45	9016
			45	38	90	8003
				40		8019
				45		8022

SAMPLE CODE  
PB. OPF.

00 050 40 35 90 9016





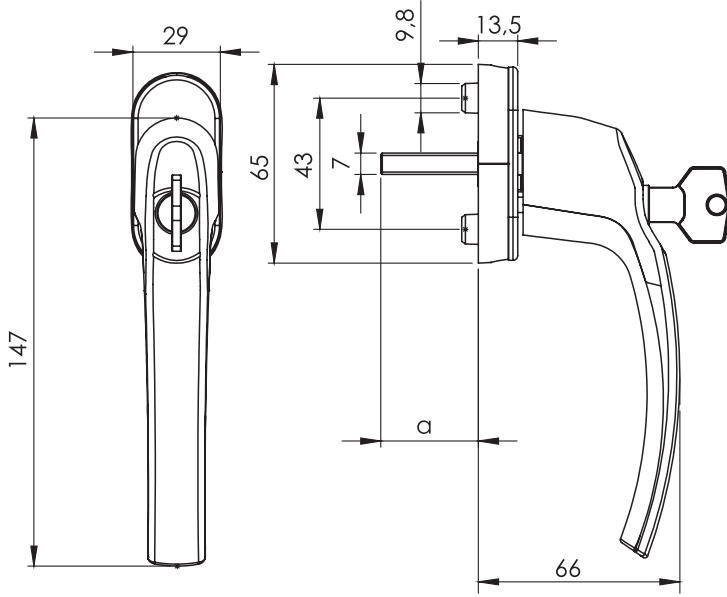
# İmat



Quality is in your hand

## ALUMINIUM WINDOW HANDLES

### OVAL FILİZ LOCKABLE

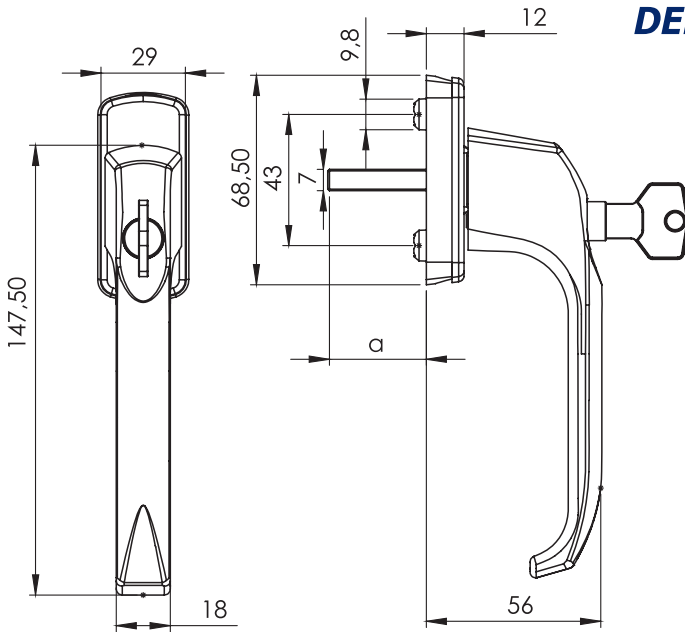


TEKNİK ÖZELLİKLER ve ÜRÜN KODU TECHNICAL SPECIFICATIONS AND PRODUCT CODE						
KOL CİNSİ HANDLE TYPE	TIP TYPE		VIDA BOYU SCR LENGHT	DEMİR BOYU (a) SQU LENGHT	KLT KONUMU LOCKING POS.	RENK KODU COLOR CODE
PB. OFL.	KT	50	40	35	45	9016
			45	38	90	8003
				40		8019
				45		8022

SAMPLE CODE  
PB. OFL.

KT 050 40 35 90 9016

### DENİZ LOCKABLE



TEKNİK ÖZELLİKLER ve ÜRÜN KODU TECHNICAL SPECIFICATIONS AND PRODUCT CODE						
KOL CİNSİ HANDLE TYPE	TIP TYPE		VIDA BOYU SCR LENGHT	DEMİR BOYU (a) SQU LENGHT	KLT KONUMU LOCKING POS.	RENK KODU COLOR CODE
PB. DEN.	KT	050	40	35	45	9016
			45	38	90	8003
				40		8019
				45		8022

SAMPLE CODE  
PB. DEN.

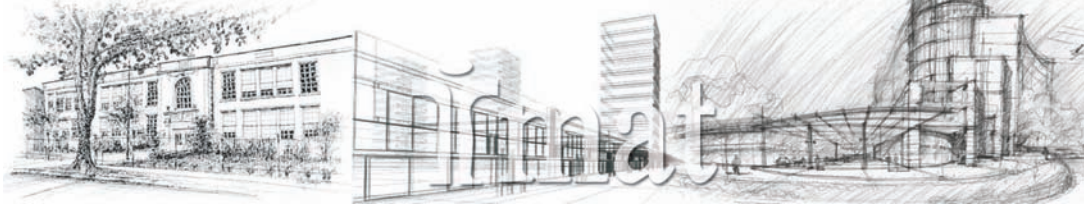
KT 050 40 35 90 8022

## ALUMİNYUM PENCERE KOLLARI



# İmat

Quality is in your hand



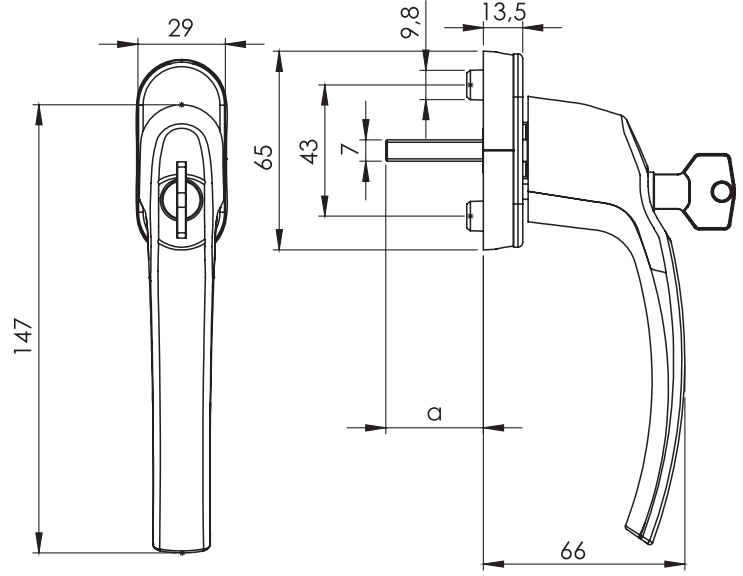
## ALUMINIUM WINDOW HANDLES

### OVAL FILİZ TBT LOCKABLE



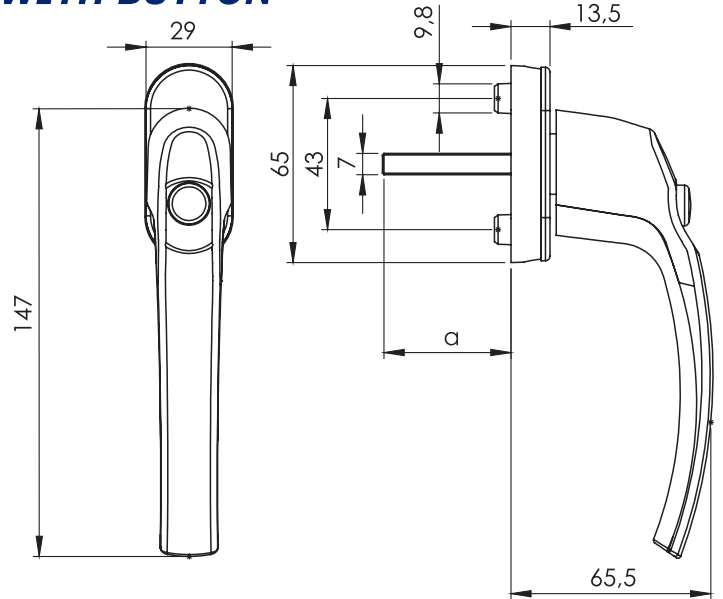
**NEW**

SUITABLE FOR TBT  
TILT & TURN  
SYSTEMS

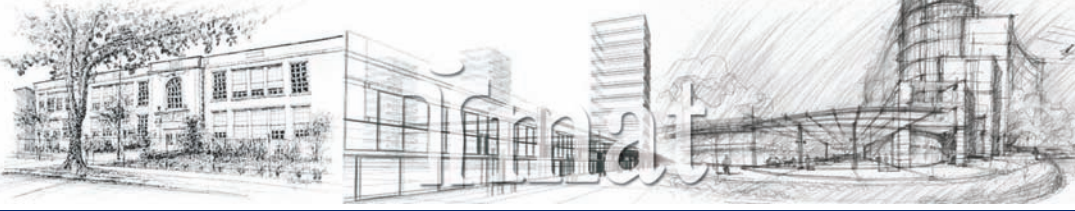


TEKNİK ÖZELLİKLER ve ÜRÜN KODU TECHNICAL SPECIFICATIONS AND PRODUCT CODE							
KOL CİNSİ HANDLE TYPE	TİP TYPE		VIDA BOYU SCR LENGHT	DEMİR BOYU (a) SQU LENGHT	KLT KONUMU LOCKING POS.	RENK KODU COLOR CODE	
PB. OFL.	KT	050	40	35	90	9016	TBT
			45	38		8003	
				40		8019	
				45		8022	
SAMPLE CODE PB. OFL.	KT	050	40	35	90	9016	TBT

### OVAL FILİZ WITH BUTTON



TEKNİK ÖZELLİKLER ve ÜRÜN KODU TECHNICAL SPECIFICATIONS AND PRODUCT CODE							
KOL CİNSİ HANDLE TYPE	TİP TYPE		VIDA BOYU SCR LENGHT	DEMİR BOYU (a) SQU LENGHT	KLT KONUMU LOCKING POS.	RENK KODU COLOR CODE	
PB. OFL.	BT	050	40	35	45	9016	TBT
			45	38		8003	
				40		8019	
				45		8022	
SAMPLE CODE PB. OFL.	BT	050	40	35	90	9016	TBT



# İmat



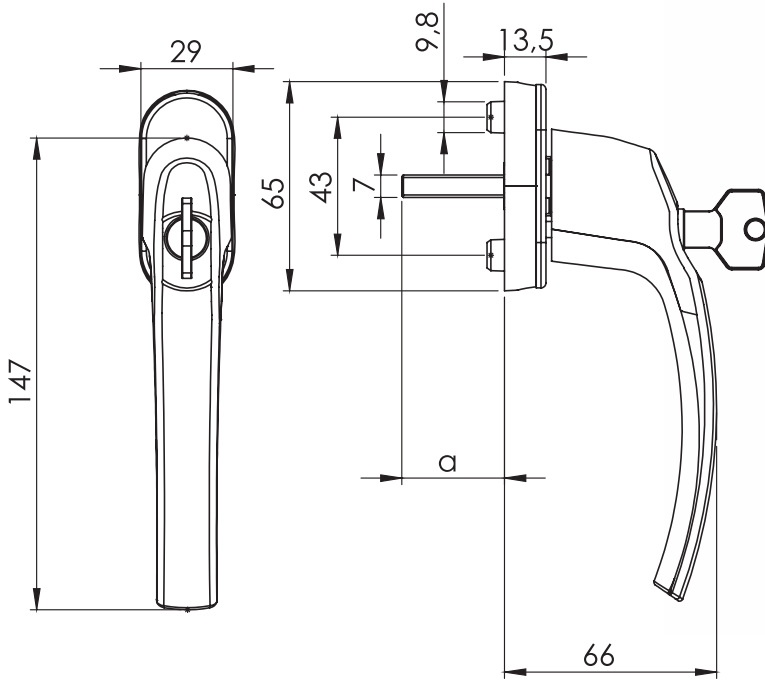
ANODIZED WINDOW HANDLES

Quality is in your hand

OVAL FİLİZ TBT LOCKABLE

SUITABLE FOR TBT  
TILT & TURN SYSTEMS

NEW



TEKNİK ÖZELLİKLER ve ÜRÜN KODU TECHNICAL SPECIFICATIONS AND PRODUCT CODE								
KOL CİNSİ HANDLE TYPE	TIP TYPE		VIDA BOYU SCR LENGHT	DEMİR BOYU (a) SQU LENGHT	KLT KONUMU LOCKING POS.	RENK KODU COLOR CODE		
PE. OFL.	KT	050		35	90	EF 01	Silver	TBT
				38		EF 02	Champagne	
			40	40		EF 03	Gold	
			45	40		EF 04	Bronze	
			50	45		EF 06	Matt Silver	
					EF 09	Inox Look		

SAMPLE CODE  
PE. OFL.

KT

050

40

38

90

EF 04

TBT

ALUMİNYUM PENCERE KOLLARI

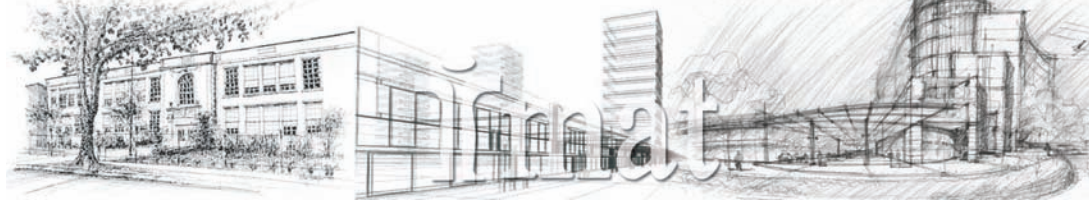
11





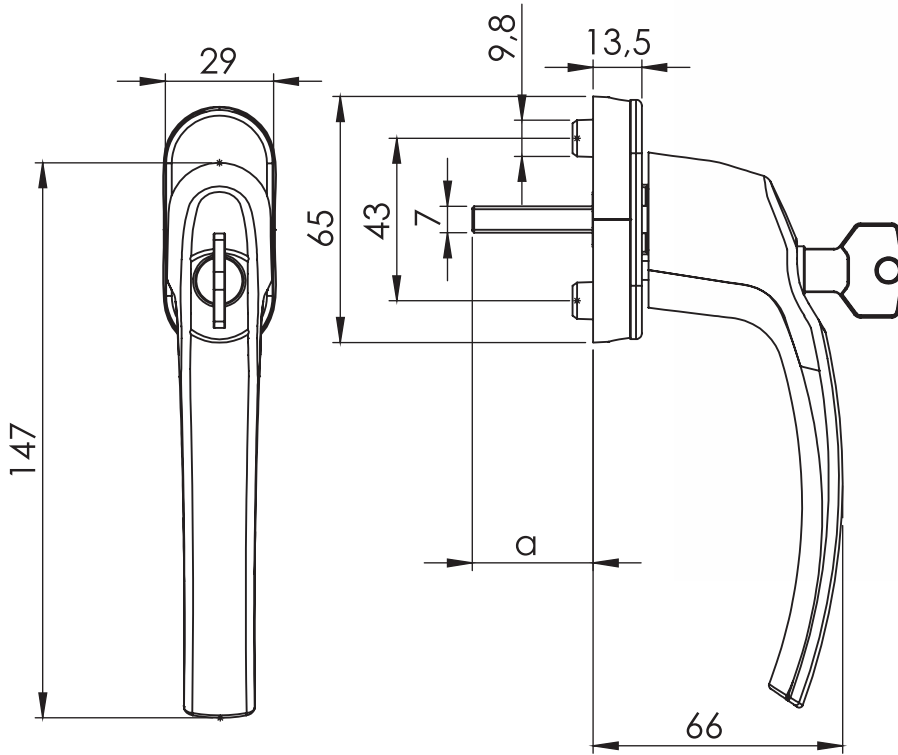
# İmat

Quality is in your hand



## ANODIZED WINDOW HANDLES

### OVAL FİLİZ LOCKABLE WITH KEY & WITH BUTTON



TEKNİK ÖZELLİKLER ve ÜRÜN KODU TECHNICAL SPECIFICATIONS AND PRODUCT CODE						
KOL CİNSİ HANDLE TYPE	TİP TYPE		VIDA BOYU SCR LENGHT	DEMİR BOYU (a) SQU LENGHT	KLT KONUMU LOCKING POS.	RENK KODU COLOR CODE
PE. OFL.	KT BT	050	40	35	45	EF 01  Silver
			45	38		EF 02  Champagne
			45	40		EF 03  Gold
			50	45		EF 04  Bronze
						EF 06  Matt Silver
						EF 09  Inox Look

SAMPLE CODE  
PE. OFL.

KT

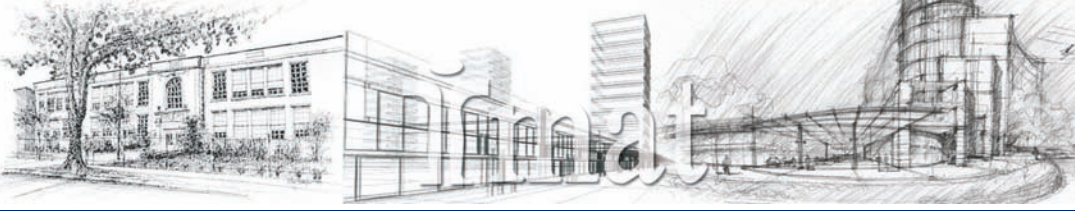
050

40

38

90

EF 04



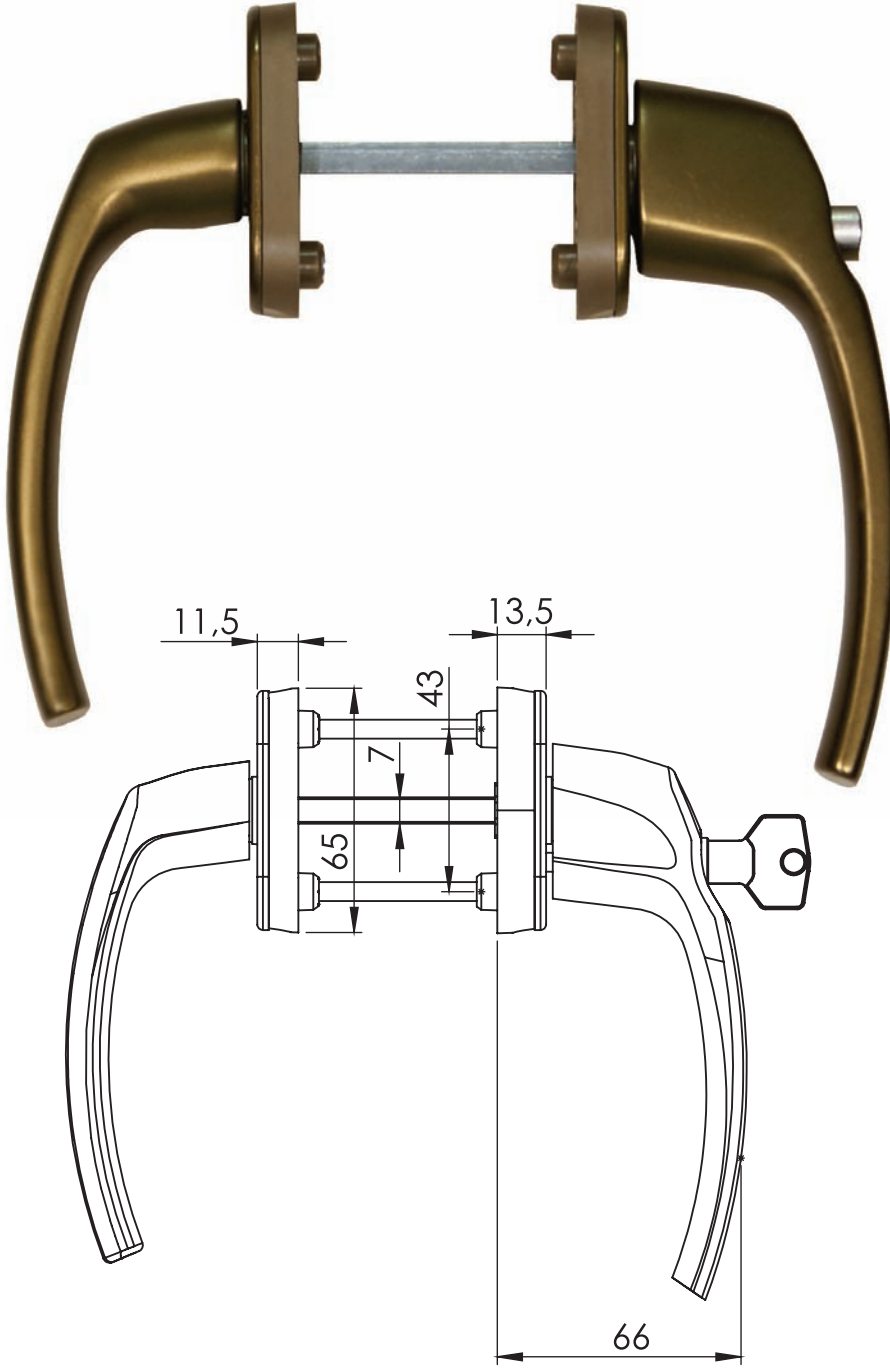
# İmat




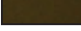

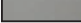


ANODIZED BALCONY HANDLES

Quality is in your hand

OVAL FILİZ TWO SIDES LOCKABLE



TEKNİK ÖZELLİKLER ve ÜRÜN KODU TECHNICAL SPECIFICATIONS AND PRODUCT CODE						
KOL CİNSİ HANDLE TYPE	TİP TYPE		VIDA BOYU SCR LENGHT	DEMİR BOYU (a) SQU LENGHT	KLT KONUMU LOCKING POS.	RENK KODU COLOR CODE
KE. OF.	00	CTK	75	105	90	EF 01  Silver
			85	115		EF 02  Champagne
						EF 03  Gold
						EF 04  Bronze
						EF 06  Matt Silver
						EF 09  Inox Look

SAMPLE CODE  
KE. OF.

00

CTK

75

105

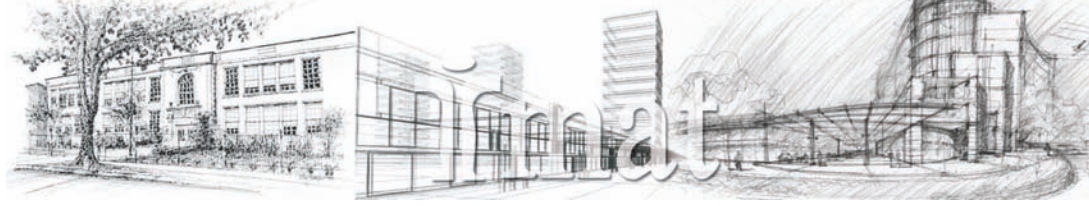
90

EF 04



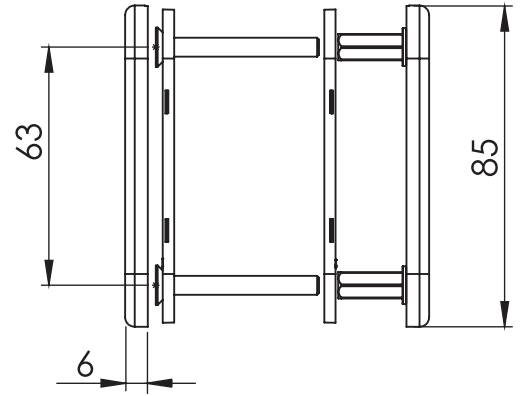
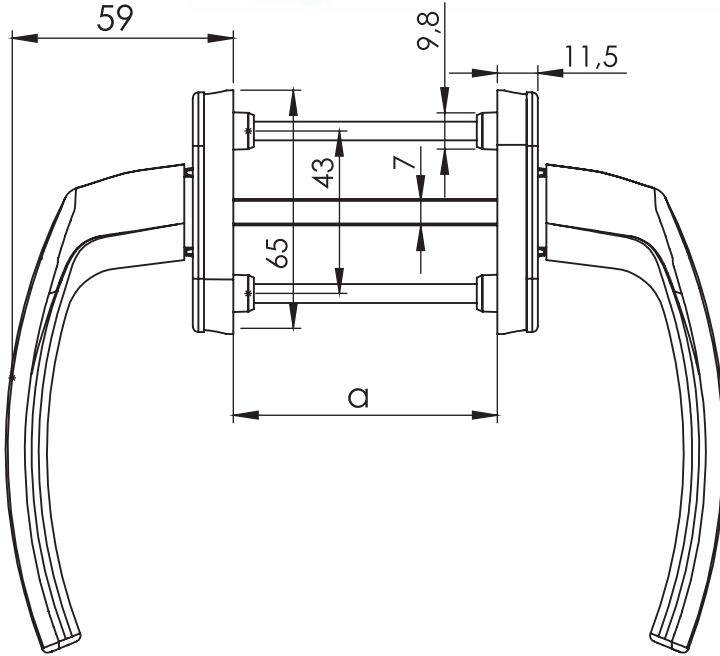
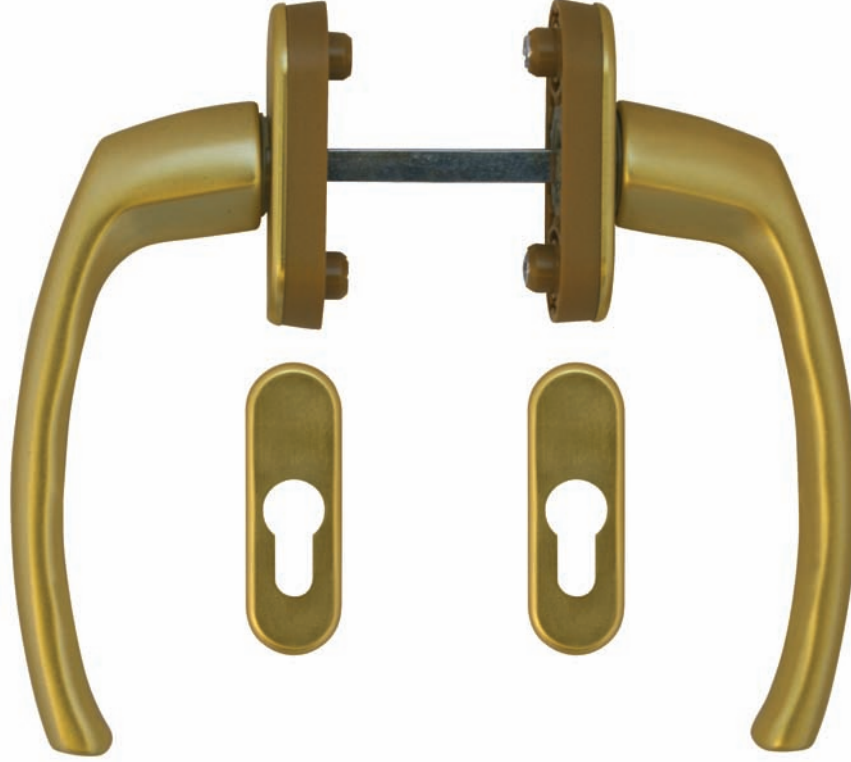
# İmat




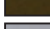


Quality is in your hand



## ANODIZED BALCONY HANDLES

### OVAL FİLİZ TWO SIDES ROZETTE



TEKNİK ÖZELLİKLER ve ÜRÜN KODU TECHNICAL SPECIFICATIONS AND PRODUCT CODE						
KOL CİNSİ HANDLE TYPE	TIP TYPE		VIDA BOYU SCR LENGHT	DEMİR BOYU (a) SQU LENGHT	KLT KONUMU LOCKING POS.	RENK KODU COLOR CODE
KE. OF. SL.	CTN	2800	75	105	00	EF 01  Silver
		3200	85	115		EF 02  Champagne
						EF 03  Gold
						EF 04  Bronze
						EF 06  Matt Silver
						EF 09  Inox Look

SAMPLE CODE  
KE. OF. SL.

CTN

2800

75

105

00

EF 03





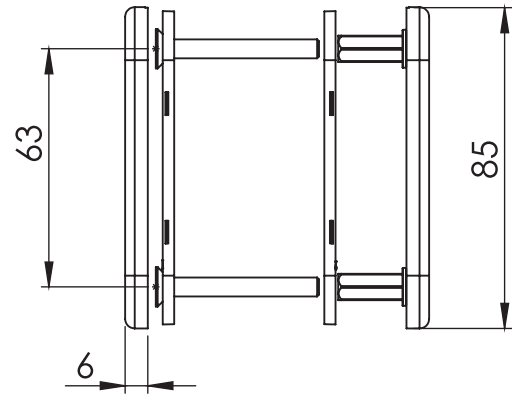
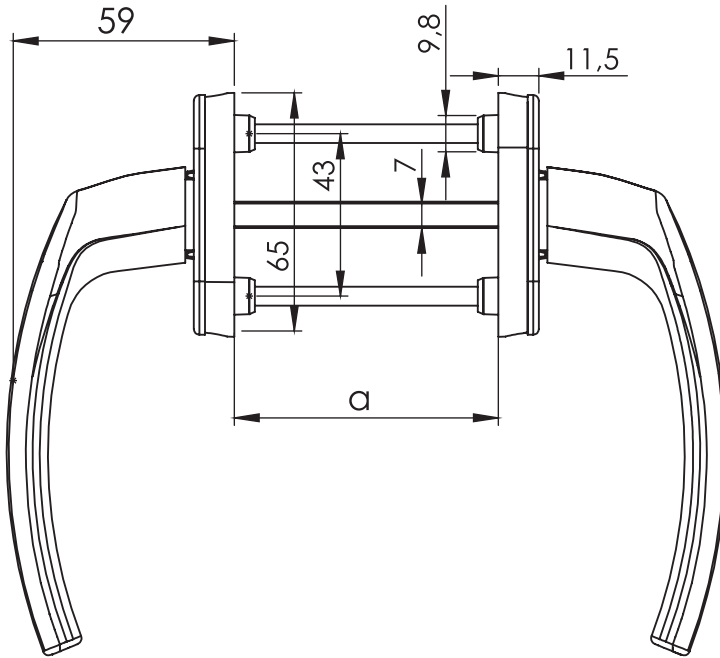
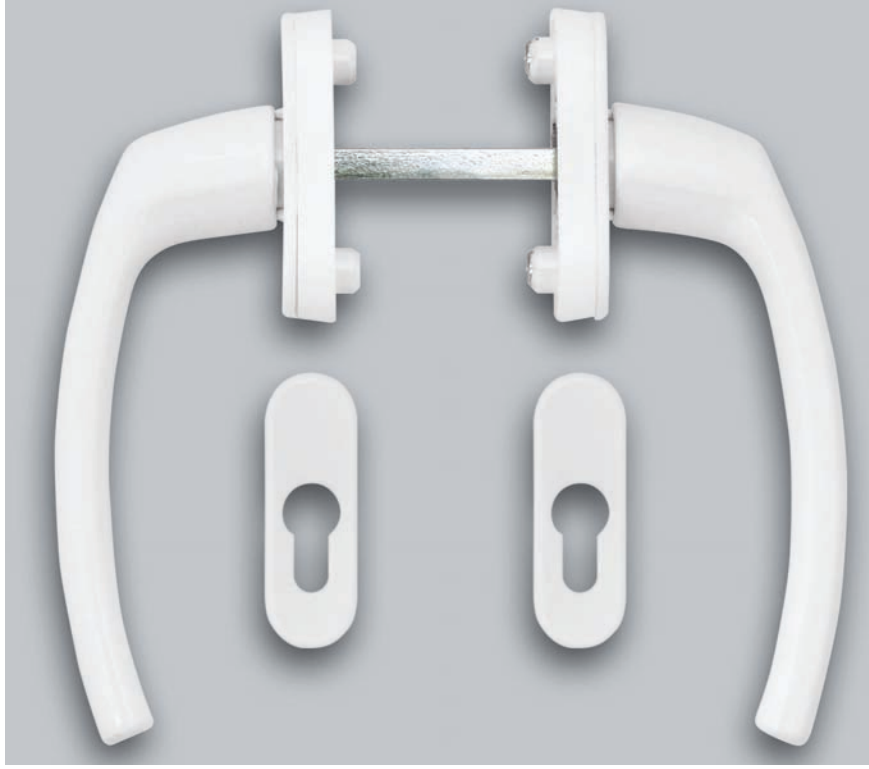
# İmat

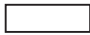





BALCONY HANDLES

Quality is in your hand

OVAL FILİZ TWO SIDES ROZETTE



TEKNİK ÖZELLİKLER ve ÜRÜN KODU TECHNICAL SPECIFICATIONS AND PRODUCT CODE						
KOL ÇİNSİ HANDLE TYPE	TİP TYPE		VİDA BOYU SCR LENGHT	DEMİR BOYU (a) SQU LENGHT	KLT KONUMU LOCKING POS.	RENK KODU COLOR CODE
KB. OF.SL.	CTN	2800	75	105	00	9016 
		3200	85	115		8003 
						8019 
						8022 

SAMPLE CODE  
KB.OF.SL. CTN 2800 75 105 00 9016

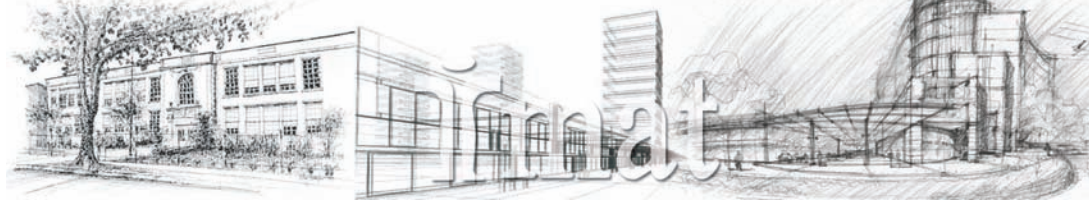
ELOKSAL PENCERE KOLLARI

15



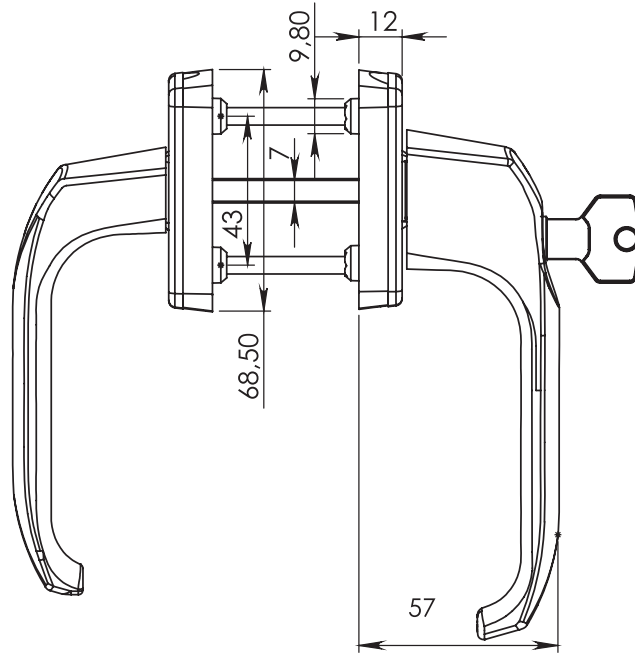
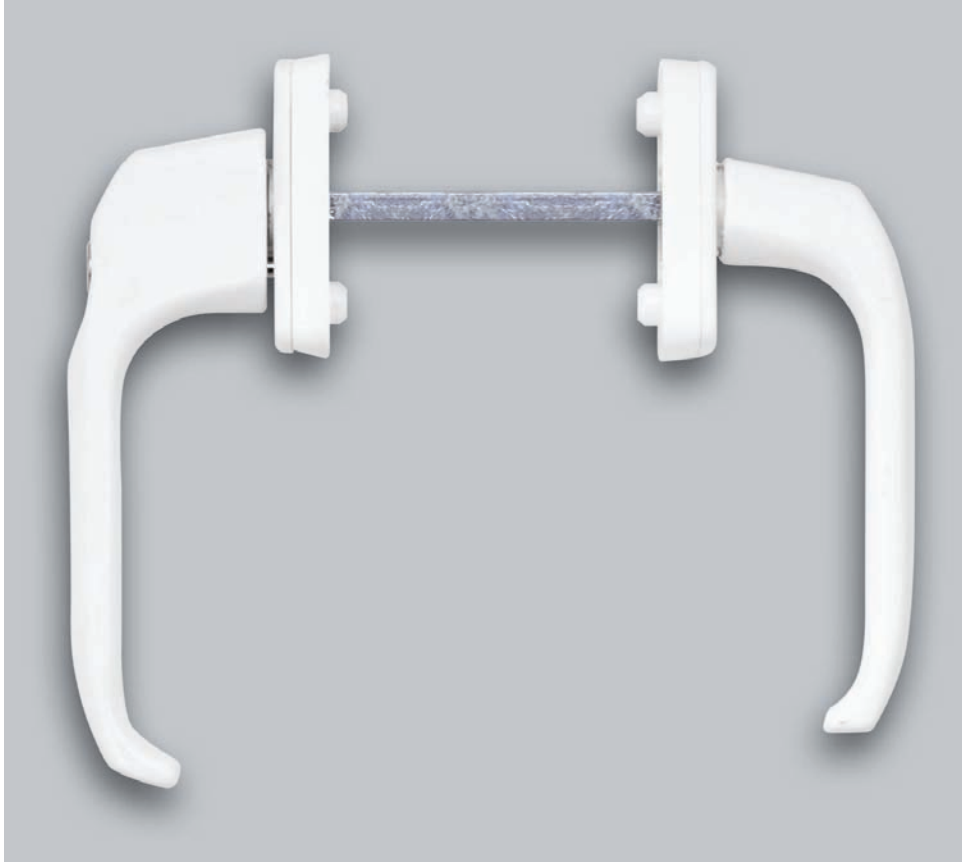
# İmat





Quality is in your hand



## ALUMINIUM WINDOW HANDLES

### DENİZ TWO SIDES LOCKABLE



TEKNİK ÖZELLİKLER ve ÜRÜN KODU TECHNICAL SPECIFICATIONS AND PRODUCT CODE						
KOL CİNSİ HANDLE TYPE	TİP TYPE		VİDA BOYU SCR LENGHT	DEMİR BOYU (a) SQU LENGHT	KLT KONUMU LOCKING POS.	RENK KODU COLOR CODE
KB. DN.	00	CTK	75	105	90	9016 
			85	115		8003 
						8019 
						8022 

SAMPLE CODE  
KB. DN.

00

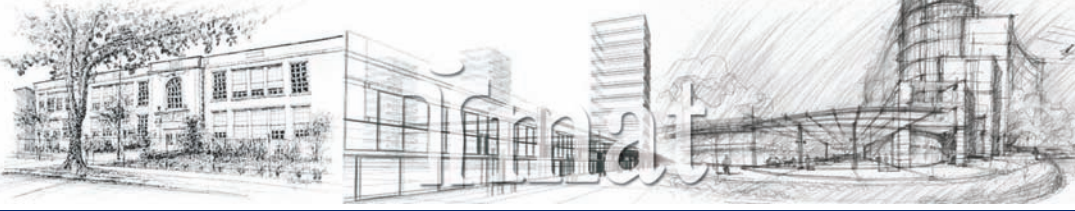
CTK

75

105

90

9016



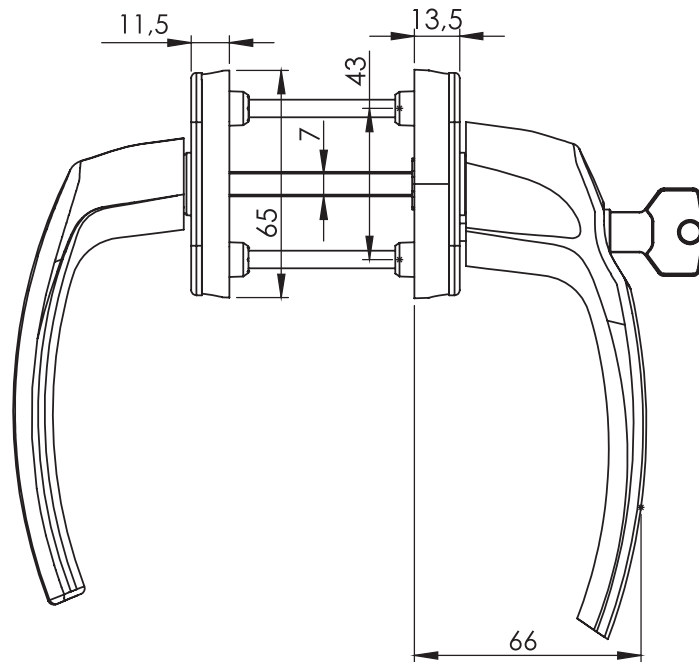
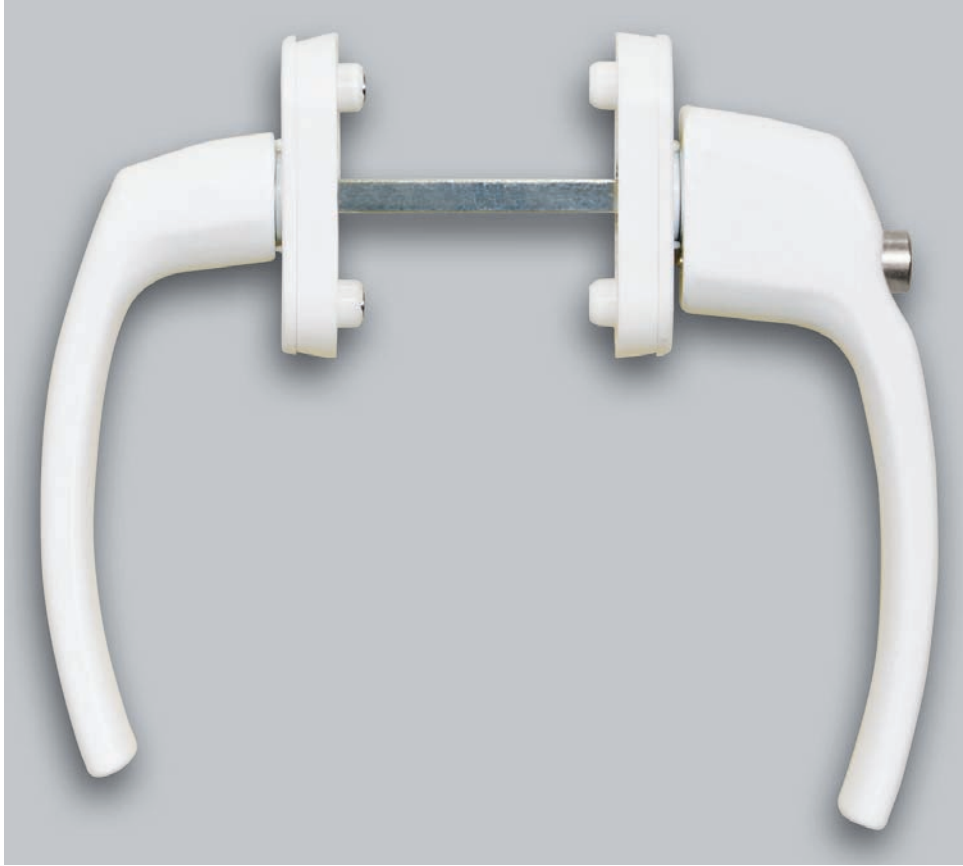
# İmat







ALUMINIUM WINDOW HANDLES

Quality is in your hand

OVAL FILİZ TWO SIDES LOCKABLE



TEKNİK ÖZELLİKLER ve ÜRÜN KODU TECHNICAL SPECIFICATIONS AND PRODUCT CODE						
KOL CİNSİ HANDLE TYPE	TIP TYPE		VIDA BOYU SCR LENGHT	DEMİR BOYU (a) SQU LENGHT	KLT KONUMU LOCKING POS.	RENK KODU COLOR CODE
KB. OF.	00	CTK	75	105	90	9016 
			85	115		8003 
						8019 
						8022 

SAMPLE CODE  
KB. OF.

00

CTK

75

105

90

9016

ALUMİNYUM PENCERE KOLLARI





# İmat

Quality is in your hand



## ANODIZED FALCON WINDOW HANDLES

### ANODIZED EF 03

### FALCON



TEKNİK ÖZELLİKLER ve ÜRÜN KODU TECHNICAL SPECIFICATIONS AND PRODUCT CODE						
KOL CİNSİ HANDLE TYPE	TİP TYPE		VIDA BOYU SCR LENGHT	DEMİR BOYU (a) SQU LENGHT	KLT KONUMU LOCKING POS.	RENK KODU COLOR CODE
PE. FLC.	00	050	40	35	45	EF 01  Silver
			45	38		EF 02  Champagne
			45	40		EF 03  Gold
			50	45		EF 04  Bronze
						EF 06  Matt Silver
						EF 09  Inox Look

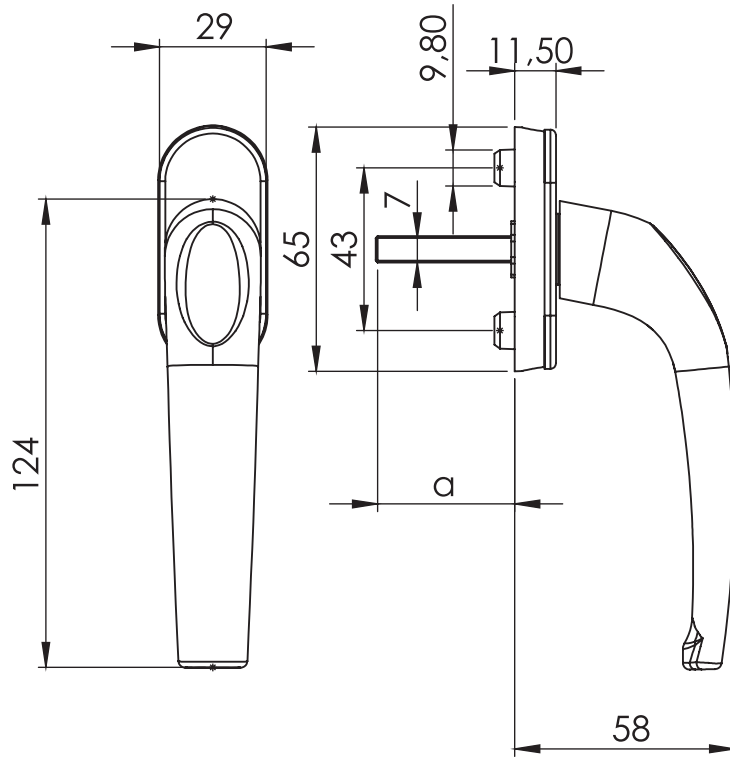
SAMPLE CODE  
PE. FLC.

00 050 40 38 90 EF 03

### EF 01



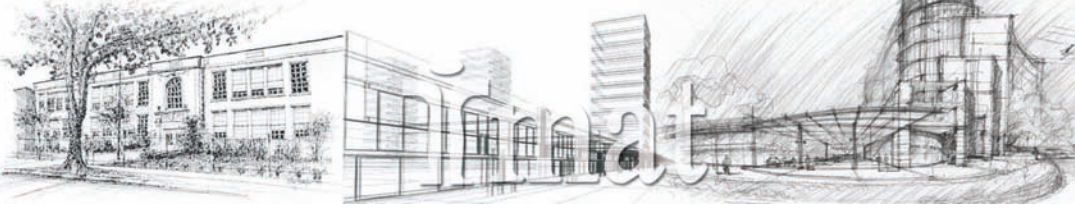
### POWDER PAINTED 8003



TEKNİK ÖZELLİKLER ve ÜRÜN KODU TECHNICAL SPECIFICATIONS AND PRODUCT CODE						
KOL CİNSİ HANDLE TYPE	TİP TYPE		VIDA BOYU SCR LENGHT	DEMİR BOYU (a) SQU LENGHT	KLT KONUMU LOCKING POS.	RENK KODU COLOR CODE
PB. FLC.	00	050	40	35	45	9016
			45	38		8003
			45	40		8019
			45	45		8022

SAMPLE CODE  
PB. FLC.

00 050 40 38 90 8003



# İmat

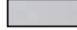


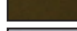




FOR OUTSIDE OPENING WINDOWS

Quality is in your hand

**CRANKED HANDLES**

**ANODIZED  
EF 01**

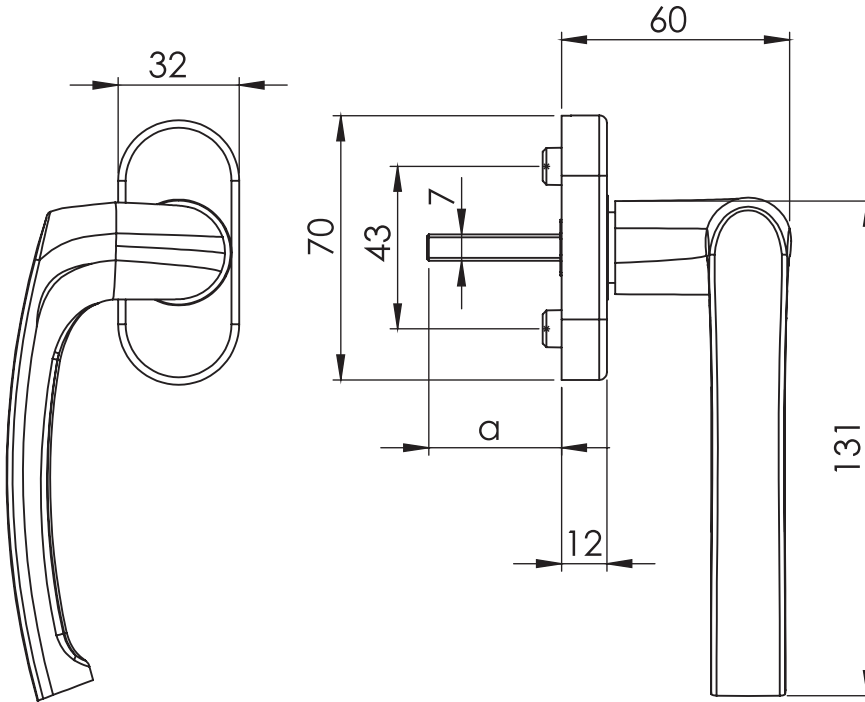
TEKNİK ÖZELLİKLER ve ÜRÜN KODU TECHNICAL SPECIFICATIONS AND PRODUCT CODE						
KOL CİNSİ HANDLE TYPE	TİP TYPE		VIDA BOYU SCR LENGHT	DEMİR BOYU (a) SQU LENGHT	KLT KONUMU LOCKING POS.	RENK KODU COLOR CODE
PB. KVR.	00	050	40	35	45	EF 01  Silver
			45	38		EF 02  Champagne
			45	40		EF 03  Gold
			50	45		EF 04  Bronze
						EF 06  Matt Silver
						EF 09  Inox Look

SAMPLE CODE  
PB. KVR.

00 050 40 38 90 EF 03







**NEW**



**POWDER PAINTED  
9016**

**NEW**

TEKNİK ÖZELLİKLER ve ÜRÜN KODU TECHNICAL SPECIFICATIONS AND PRODUCT CODE						
KOL CİNSİ HANDLE TYPE	TİP TYPE		VIDA BOYU SCR LENGHT	DEMİR BOYU (a) SQU LENGHT	KLT KONUMU LOCKING POS.	RENK KODU COLOR CODE
PB. KVR.	00	050	40	35	45	9016 
			45	38		8003 
			45	40		8019 
			45	45		8022 

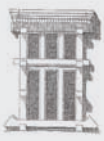
SAMPLE CODE  
PB. KVR.

00 050 40 38 90 8003



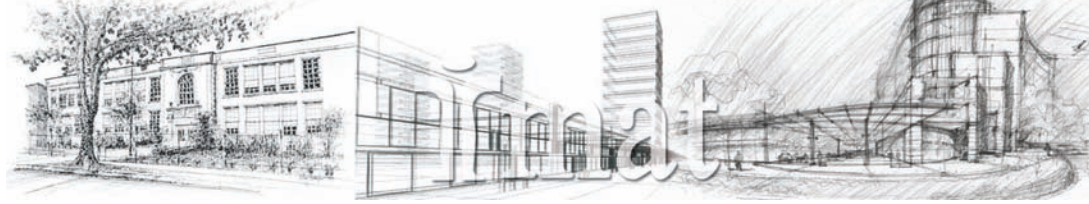
**ALUMİNYUM PENCERE KOLLARI**

19



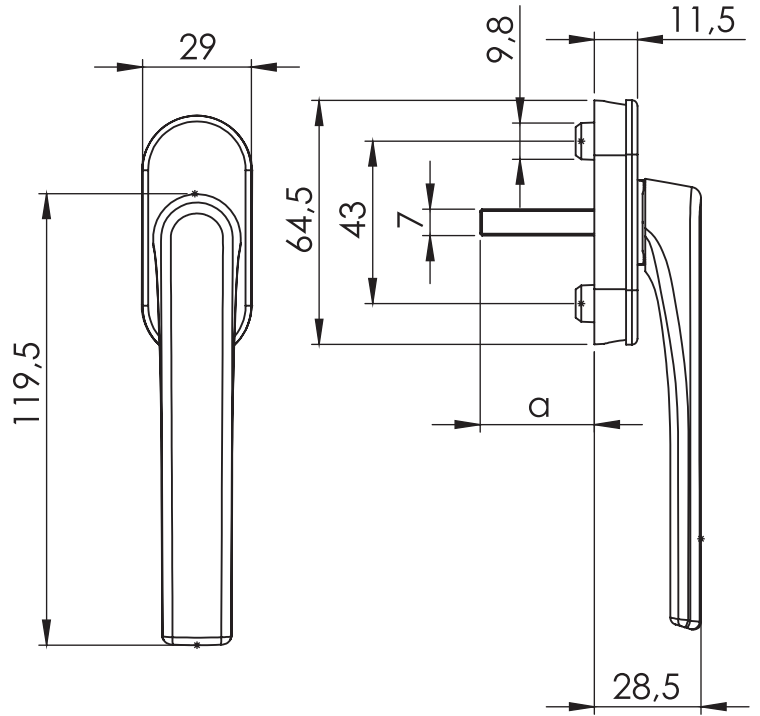
# İmat

Quality is in your hand



## SHORT NECK WINDOW HANDLES

### SHORT NECK WINDOW HANDLES



TEKNİK ÖZELLİKLER ve ÜRÜN KODU TECHNICAL SPECIFICATIONS AND PRODUCT CODE						
KOL CİNSİ HANDLE TYPE	TİP TYPE		VIDA BOYU SCR LENGHT	DEMİR BOYU (a) SQU LENGHT	KLT KONUMU LOCKING POS.	RENK KODU COLOR CODE
PB. BSK.	00	050	40	35	45	9016
			45	38	90	8003
				40		8019
				45		8022

SAMPLE CODE  
PB. BSK.

00 050 40 38 90 8003





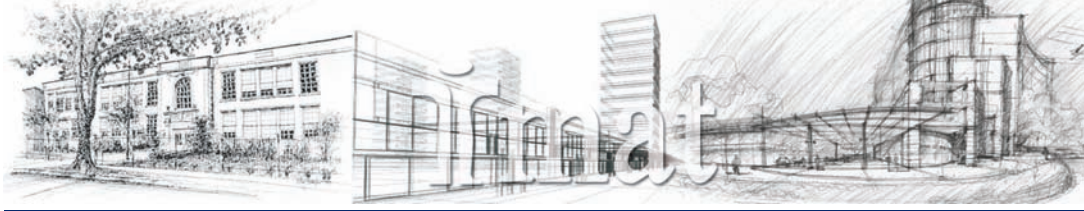


**DOOR HANDLES**  
**KAPI KOLLARI**



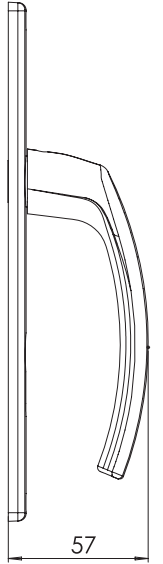
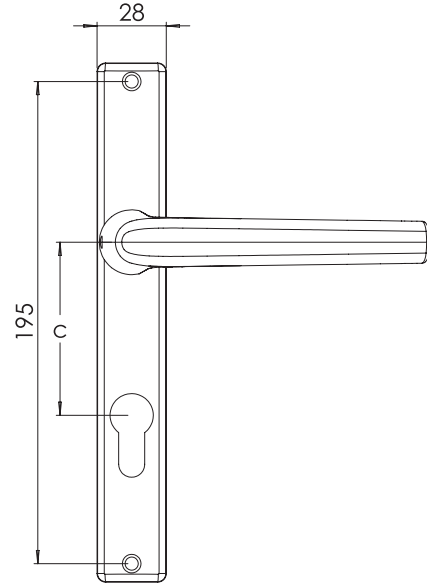
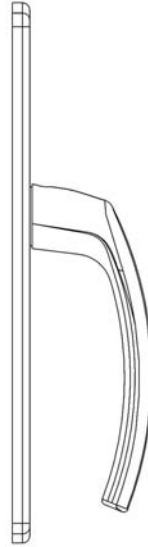
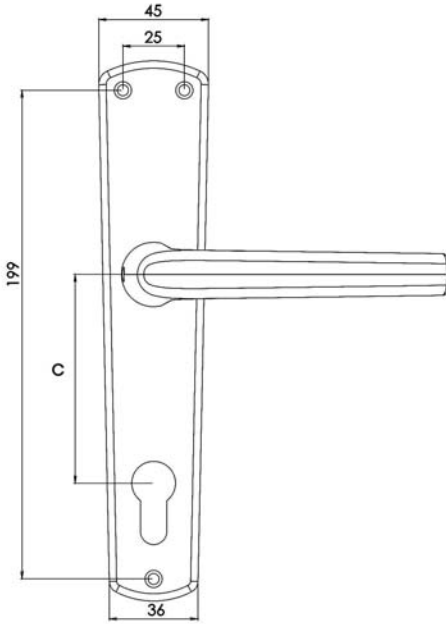
# İmat

Quality is in your hand



ANODIZED DOOR HANDLES

## ANODIZED DOOR HANDLES/TIMBER



### TEKNİK ÖZELLİKLER ve ÜRÜN KODU TECHNICAL SPECIFICATIONS AND PRODUCT CODE

KOL CİNSİ HANDLE TYPE	TİP TYPE	VİDA EKSENİ	AYNA EKSENİ	YAYLAMA TİPİ	VİDA ADT SCR QUA	VİDA BOYU SCR LENGHT	KARE SQU	DEMİR BOYU SQU	RENK KODU COLOR CODE
KE. OF.	SL.AHS	72	25-70	00	6	20	8	20	EF 01  Silver EF 02  Champagne EF 03  Gold EF 04  Bronze EF 06  Matt Silver EF 09  Inox Look

SAMPLE CODE  
KE. OF.

SL.AHS

72

25-70

00

6

20

8

20

EF 03





# imat



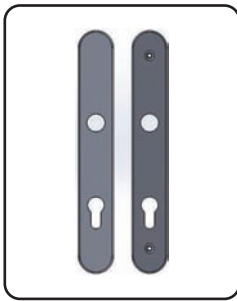
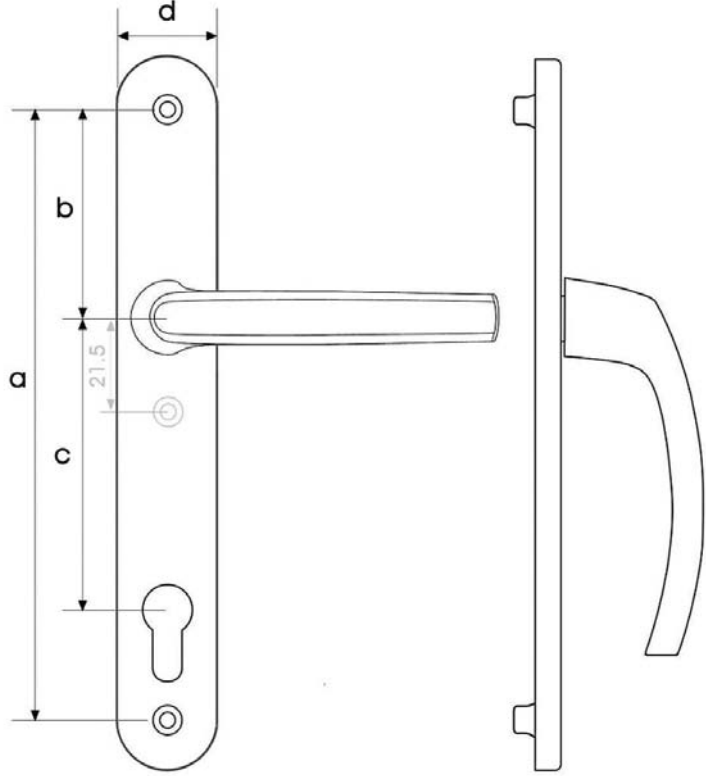
## ANODIZED DOOR HANDLES

Quality is in your hand

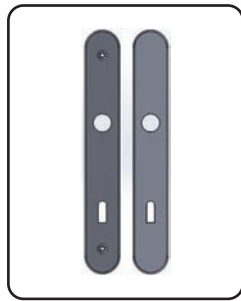
## ANODIZED DOOR HANDLES/PVC



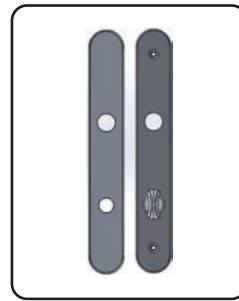
STAINLESS STEEL  
&  
ALUMINIUM CAP



CYLINDER  
SIL



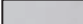


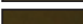


ROOM  
ODA



WC  
BWC



WITH SPRING  
YAY

TEKNİK ÖZELLİKLER ve ÜRÜN KODU TECHNICAL SPECIFICATIONS AND PRODUCT CODE									
KOL CİNSİ HANDLE TYPE	TİP TYPE	VİDA EKSENİ	AYNA EKSENİ	YAYLAMA TİPİ	VİDA ADT SCR QUA	VİDA BOYU SCR LENGHT	KARE SQU	DEMİR BOYU SQU	RENK KODU COLOR CODE
KE. OF.	SL	200	30-85	00	2	80	8	115	EF 01  Silver
			36-85	0Y					EF 02  Champagne
KE. OF.	SL	216	30-92	00	2	80	8	115	EF 03  Gold
			36-92	0Y					EF 04  Bronze
KE. OF.	SL	200	36-85	0Y	2	80	8	115	EF 06  Matt Silver
									EF 09  Inox Look

SAMPLE CODE  
KE. OF.

SL

200

36-85

0Y

2

80

8

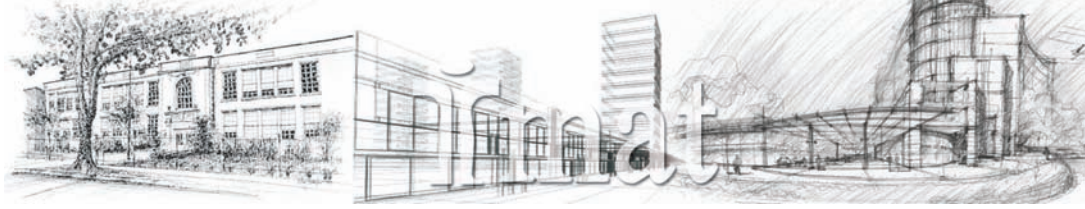
115

EF 01

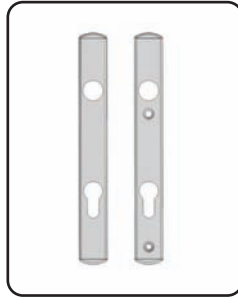
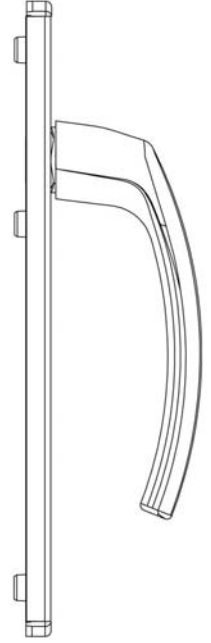
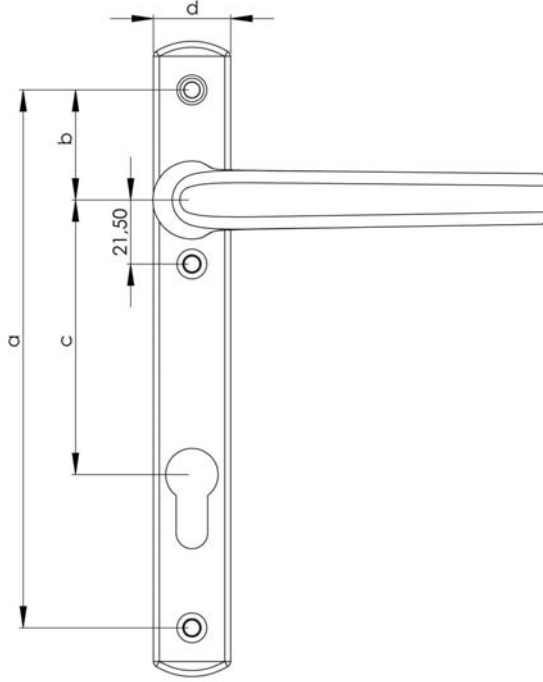


# İmat

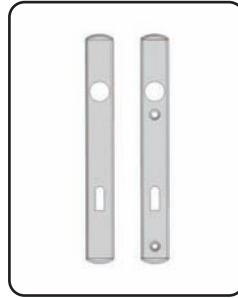
Quality is in your hand



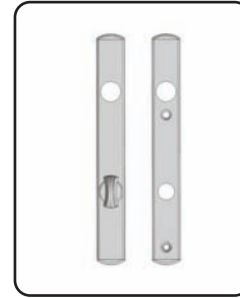
## ANODIZED DOOR HANDLES



**CYLINDER  
SIL**



**ROOM  
ODA**



**WC  
BWC**

TEKNİK ÖZELLİKLER ve ÜRÜN KODU TECHNICAL SPECIFICATIONS AND PRODUCT CODE									
KOL CİNSİ HANDLE TYPE	TİP TYPE	VİDA EKSENİ	AYNA EKSENİ	YAYLAMA TİPİ	VİDA ADT SCR QUA	VİDA BOYU SCR LENGHT	KARE SQU	DEMİR BOYU SQU	RENK KODU COLOR CODE
KE. OF.	SL	123	26-92	00	2	80	8	115	EF 01  Silver EF 02  Champagne EF 03  Gold EF 04  Bronze EF 06  Matt Silver EF 09  Inox Look

SAMPLE CODE  
KE. OF.

SL

123

26-92

00

2

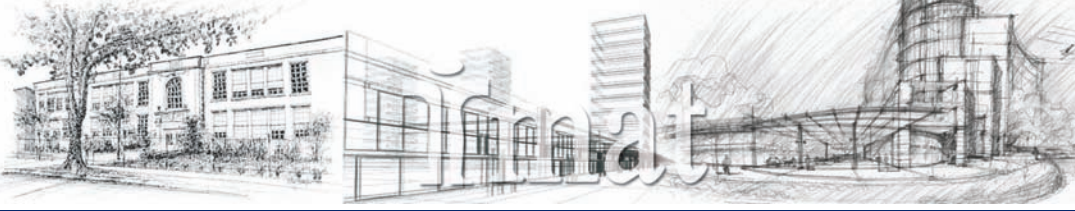
80

8

115

EF 04





# İmat



ANODIZED DOOR HANDLES

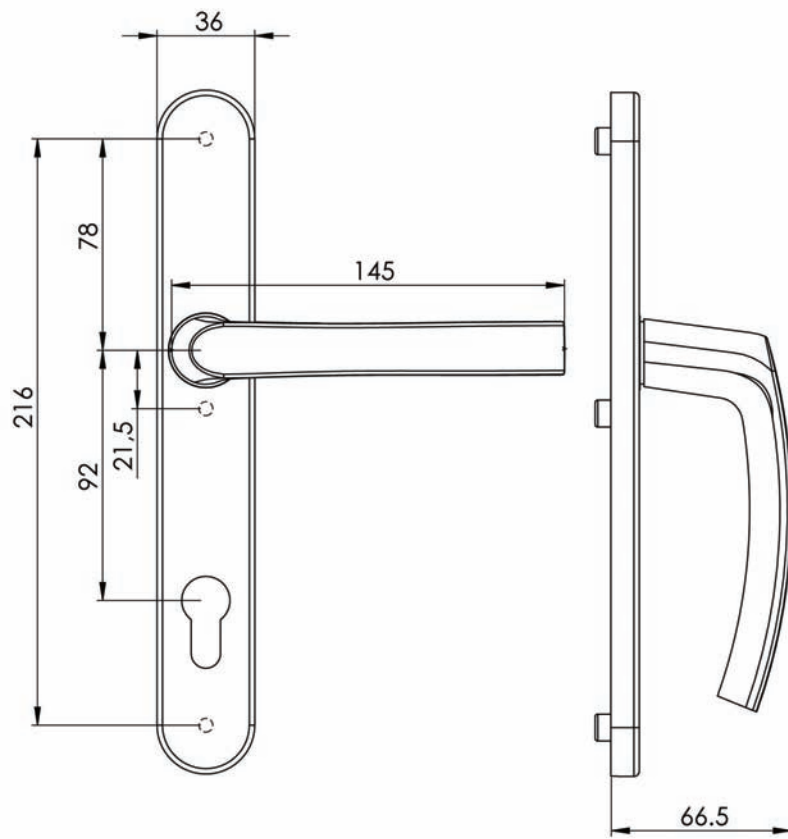
Quality is in your hand

**BATI**



ZAMAK SUBSTRATE  
&  
ALUMINIUM CAP

**INVISIBLE SCREWS**



TEKNİK ÖZELLİKLER ve ÜRÜN KODU  
TECHNICAL SPECIFICATIONS AND PRODUCT CODE

KOL CİNSİ HANDLE TYPE	TİP TYPE	VIDA EKSENİ	AYNA EKSENİ	YAYLAMA TİPİ	VIDA ADT SCR QUA	VIDA BOYU SCR LENGHT	KARE SQU	DEMİR BOYU SQU	RENK KODU COLOR CODE
KE. BT.	SL	216	36-85 36-92	YY	3	95	8	130	EF 01  Silver EF 02  Champagne EF 03  Gold EF 04  Bronze EF 06  Matt Silver EF 09  Inox Look

SAMPLE CODE  
KE. BT.

SL

216

36-85

YY

3

95

8

130

EF 01

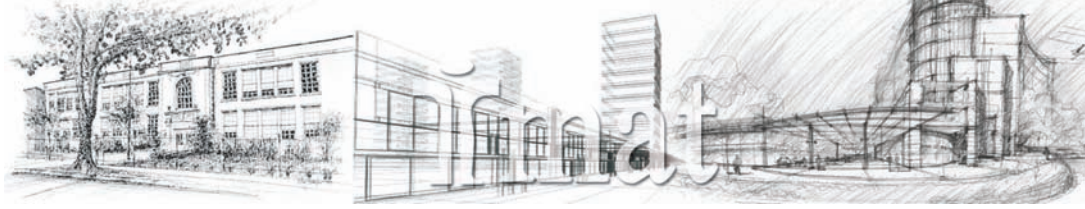
**ELOKSAL KAPI KOLLARI**

25



# İmat

Quality is in your hand

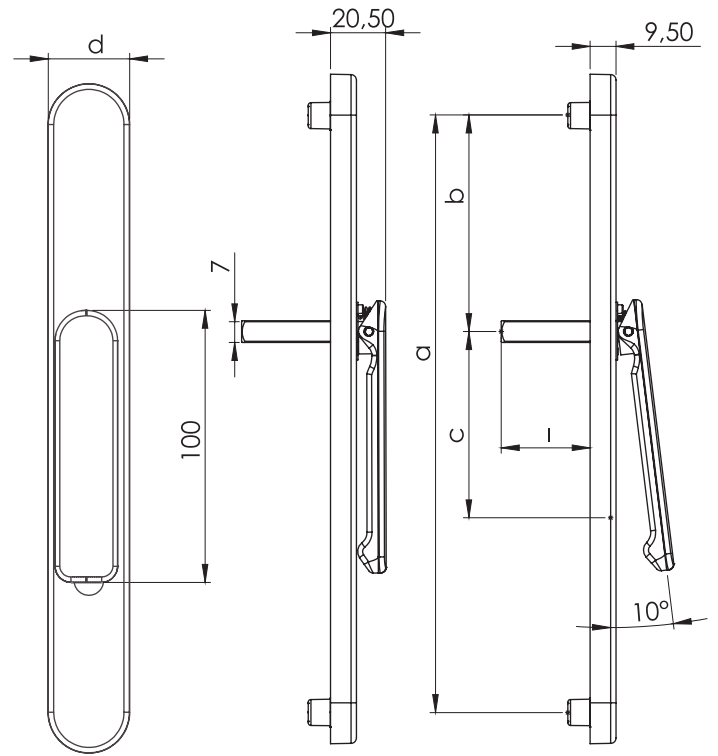


## ANODIZED DOOR HANDLES

### SPRING LOADED SHORT NECK HANDLES



**NEW**



TEKNİK ÖZELLİKLER ve ÜRÜN KODU TECHNICAL SPECIFICATIONS AND PRODUCT CODE										
KOL CİNSİ HANDLE TYPE	TİP TYPE	VİDA EKSENİ	AYNA EKSENİ	YAYLAMA TİPİ	VİDA ADT SCR QUA	VİDA BOYU SCR LENGHT	KARE SQU	DEMİR BOYU SQU	RENK KODU COLOR CODE	
KE. OB.	SL	195	25-70	00	2	90	7	120	EF 01	Silver
			28-70						EF 02	Champagne
		25-85	EF 03						Gold	
		210	28-85	0Y				EF 04	Bronze	
			35-85			EF 06	Matt Silver			
		216	28-92					EF 09	Inox Look	
			35-92							

SAMPLE CODE  
KE. OB.

SL

195

25-85

00

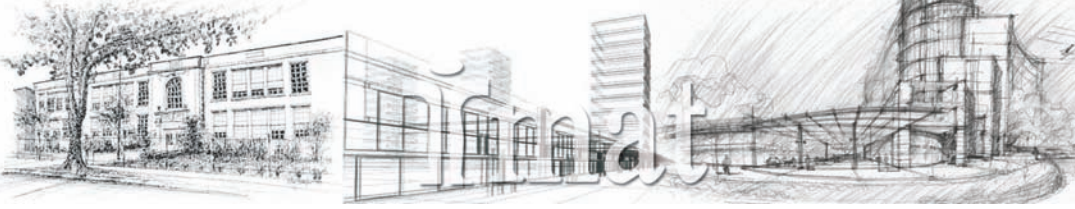
2

90

8

120

EF 01



# İmat

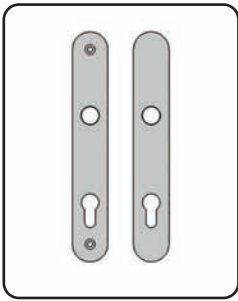
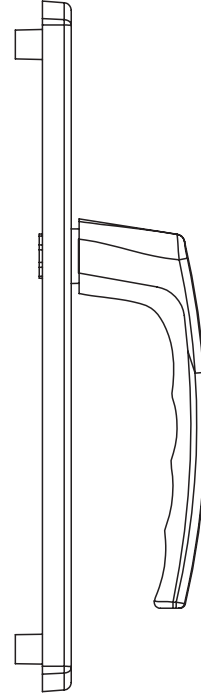
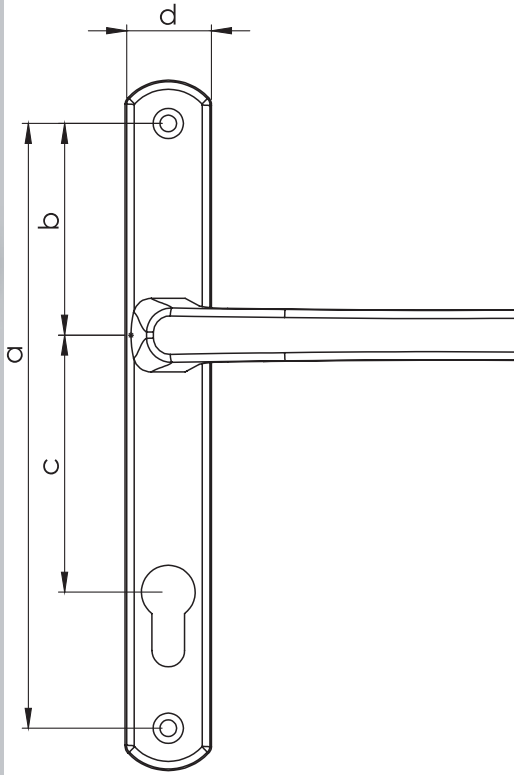
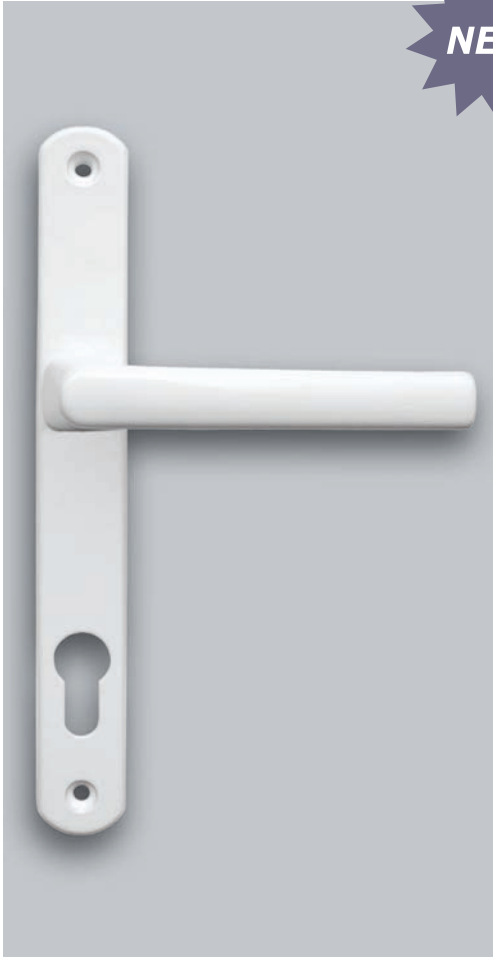


## ALUMINIUM DOOR HANDLES

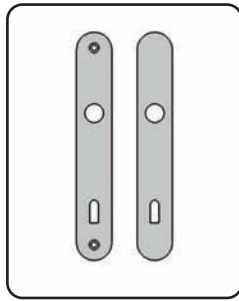
Quality is in your hand

**CAPRI**

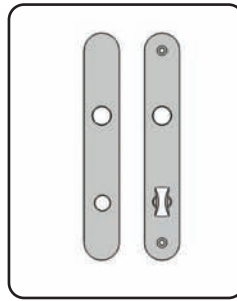
**NEW**



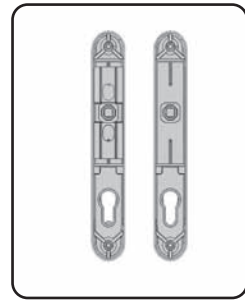
**CYLINDER  
SIL**



**ROOM  
ODA**



**WC  
BWC**



**WITH SPRING  
YAY**

TEKNİK ÖZELLİKLER ve ÜRÜN KODU  
TECHNICAL SPECIFICATIONS AND PRODUCT CODE

KOL CİNSİ HANDLE TYPE	TIP TYPE	VİDA EKSENİ	AYNA EKSENİ	YAYLAMA TİPİ	VİDA ADT SCR QUA	VİDA BOYU SCR LENGHT	KARE SQU	DEMİR BOYU SQU	RENK KODU COLOR CODE
KB. CP.	SL	200	28-85	00	2	80	8	115	9016 8003 8019 8022

SAMPLE CODE  
KB. CP.

SL

200

28-85

00

2

80

8

115

9016



# İmat

Quality is in your hand



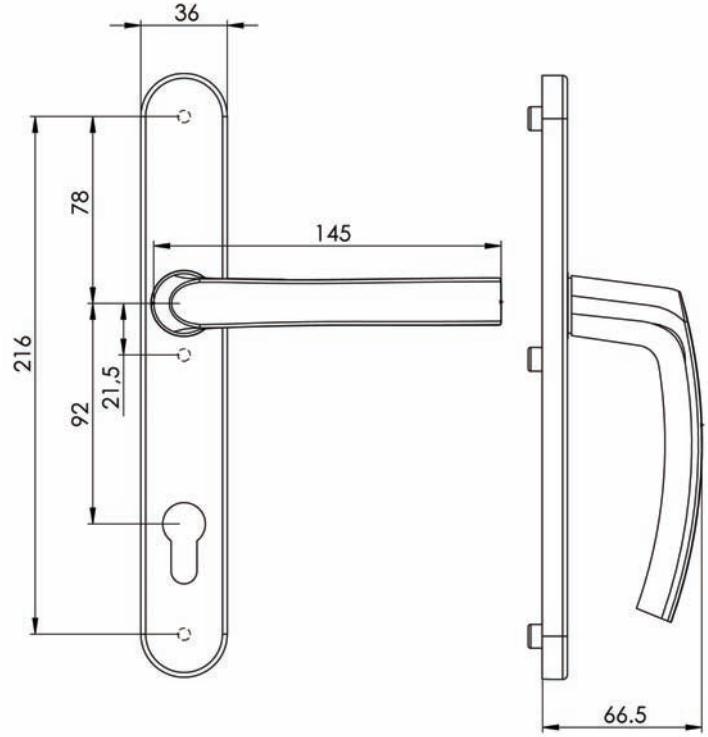
## ALUMINIUM DOOR HANDLES

### BATI



ZAMAK SUBSTRATE  
&  
ALUMINIUM CAP

**INVISIBLE SCREWS**



TEKNİK ÖZELLİKLER ve ÜRÜN KODU TECHNICAL SPECIFICATIONS AND PRODUCT CODE									
KOL CİNSİ HANDLE TYPE	TIP TYPE	VİDA EKSENİ	AYNA EKSENİ	YAYLAMA TİPİ	VİDA ADT SCR QUA	VİDA BOYU SCR LENGHT	KARE SQU	DEMİR BOYU SQU	RENK KODU COLOR CODE
KB. BT.	SL	216	36-92 36-85	YY	3	95	8	30	9016 8003 8019 8022

SAMPLE CODE  
KB. BT.

SL

216

36-92

YY

3

95

8

30

9016





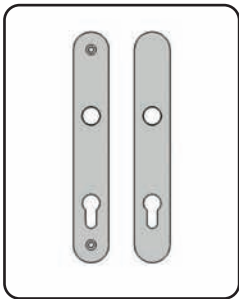
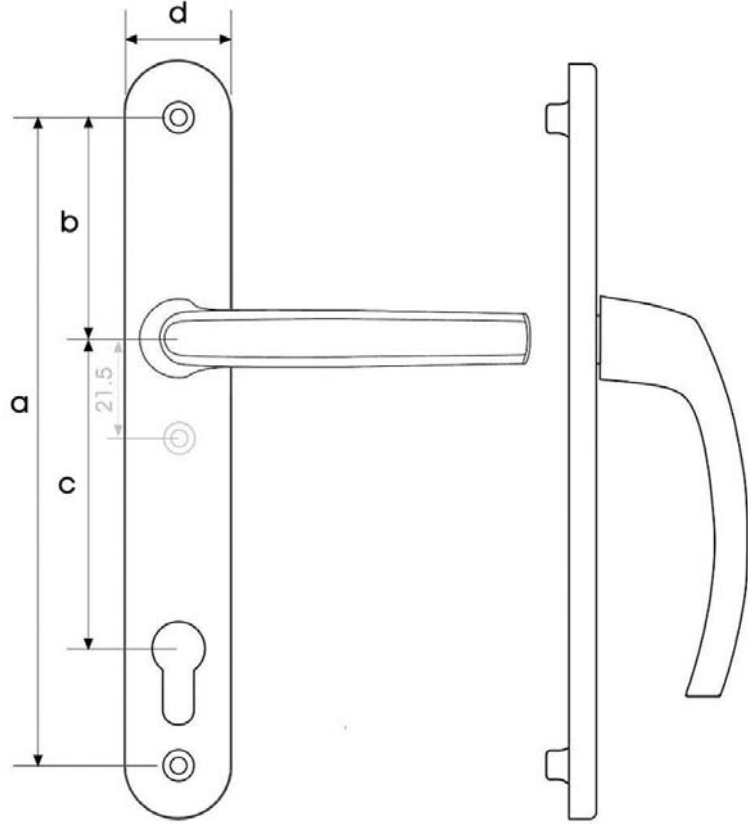
# İmat



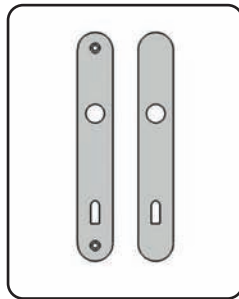
## ALUMINIUM DOOR HANDLES

Quality is in your hand

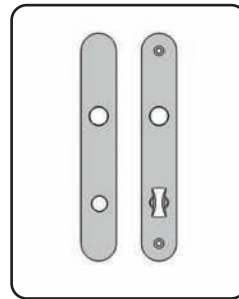
### OVAL FILİZ



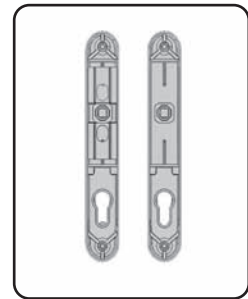
**CYLINDER  
SİL**



**ROOM  
ODA**



**WC  
BWC**



**WITH SPRING  
YAY**

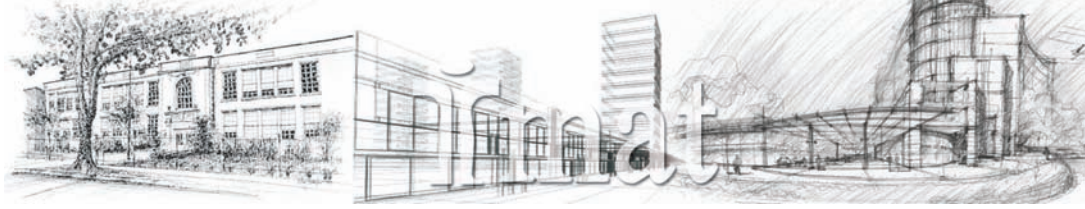
TEKNİK ÖZELLİKLER ve ÜRÜN KODU TECHNICAL SPECIFICATIONS AND PRODUCT CODE									
KOL CİNSİ HANDLE TYPE	TİP TYPE	VİDA EKSENİ	AYNA EKSENİ	YAYLAMA TİPİ	VİDA ADT SCR QUA	VİDA BOYU SCR LENGHT	KARE SQU	DEMİR BOYU SQU	RENK KODU COLOR CODE
KB. OF.	SL	195	25-85 28-85 35-85	0Y	2 3	80	8	15	9016
		210	25-92 28-92 35-92	00					8003
		216	25-92 28-92 35-92	YY					8019
SAMPLE CODE KB. OF.	SL	195	35-85	0Y	2	80	8	15	9016

## ALUMİNYUM KAPI KOLLARI

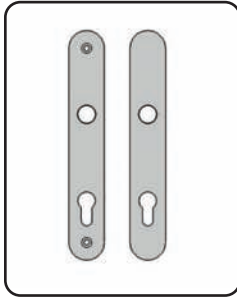
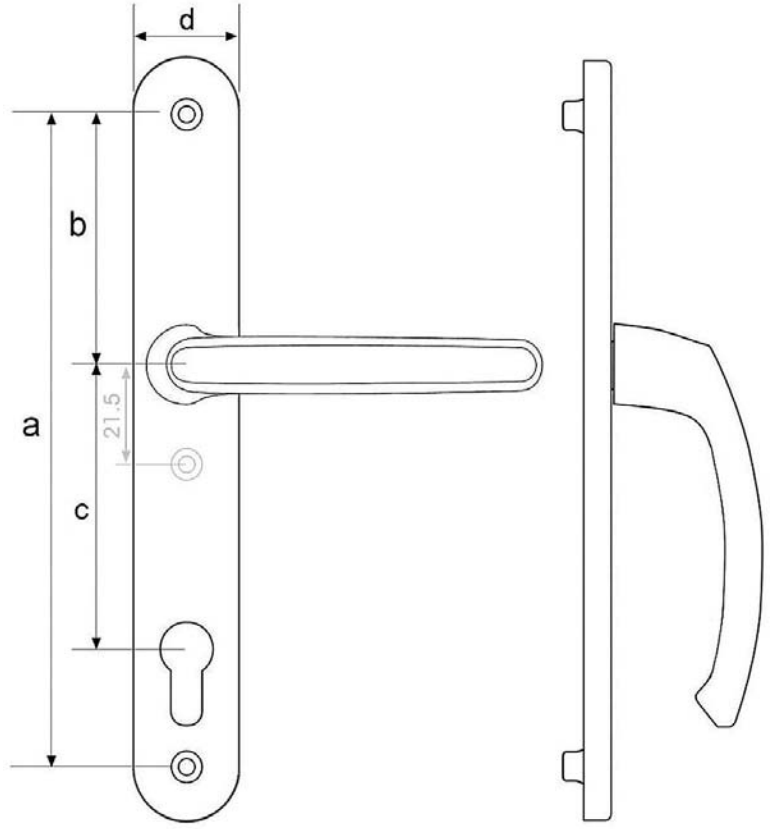


# İmat

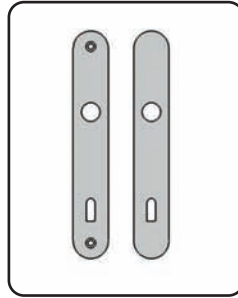
Quality is in your hand



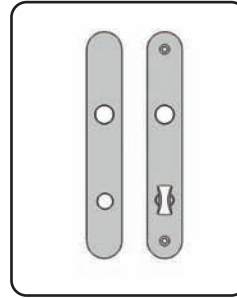
## ALUMINIUM DOOR HANDLES BAHAR FINGER & NON-FINGER



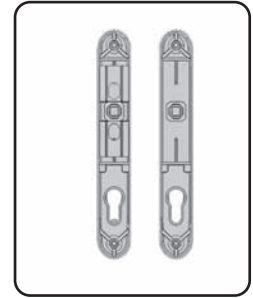
CYLINDER  
SİL



ROOM  
ODA



WC  
BWC



WITH SPRING  
YAY

### TEKNIK ÖZELLİKLER ve ÜRÜN KODU TECHNICAL SPECIFICATIONS AND PRODUCT CODE

KOL CİNSİ HANDLE TYPE	TİP TYPE	VİDA EKSENİ	AYNA EKSENİ	YAYLAMA TİPİ	VİDA ADT SCR QUA	VİDA BOYU SCR LENGHT	KARE SQU	DEMİR BOYU SQU	RENK KODU COLOR CODE
KB. BH. KB. BZ.	SL	195	25-85 28-85 35-85	0Y	2 3	80	8	115	9016
		210	25-92 28-92 35-92	YY					8003
		216	25-92 28-92 35-92	00					8019
								8022	

SAMPLE CODE  
KB. BH.

SL

195

35-85

OY

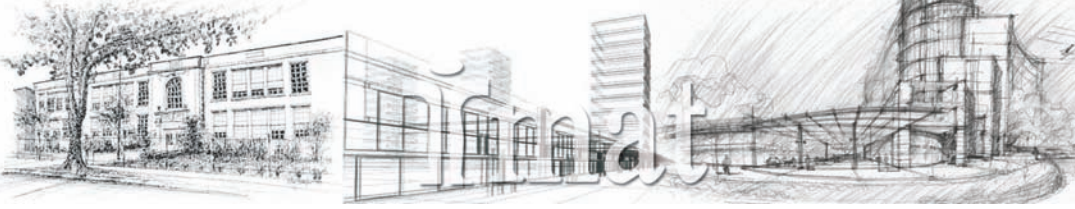
2

80

8

115

9016



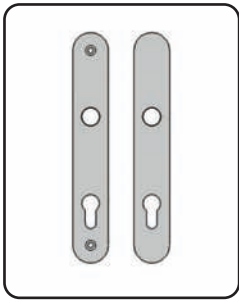
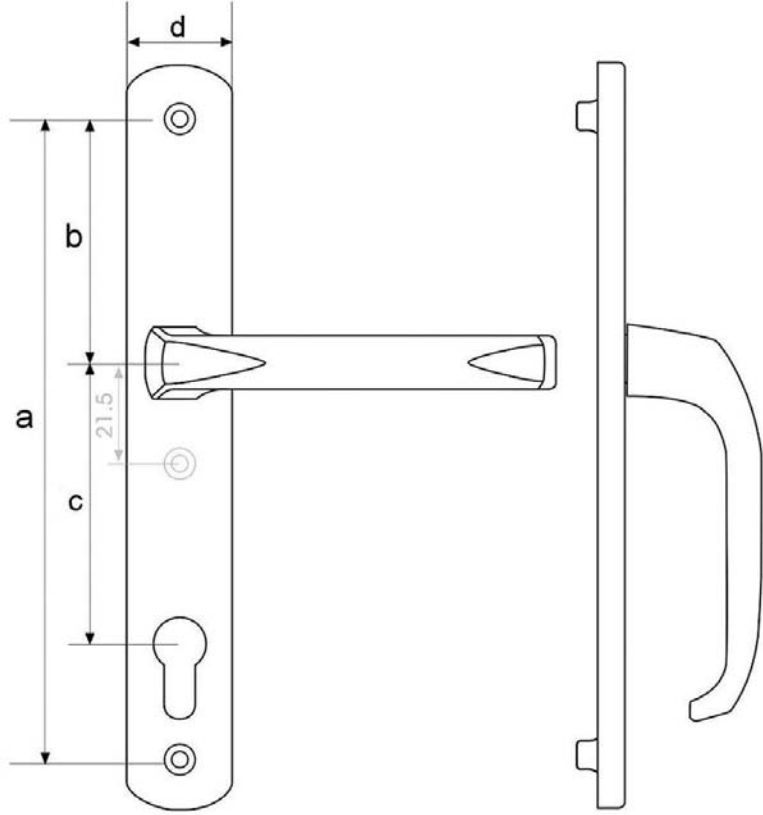
# İmat



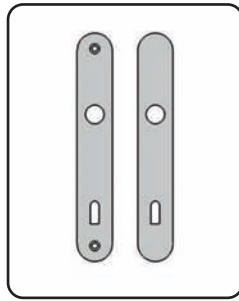
## ALUMINIUM DOOR HANDLES

Quality is in your hand

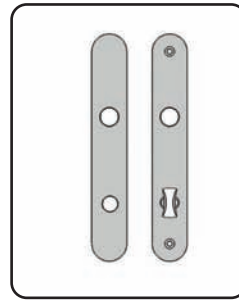
### DENİZ



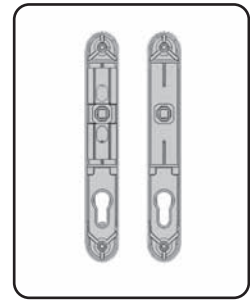
CYLINDER  
SİL



ROOM  
ODA



WC  
BWC



WITH SPRING  
YAY

#### TEKNİK ÖZELLİKLER ve ÜRÜN KODU TECHNICAL SPECIFICATIONS AND PRODUCT CODE

KOL CİNSİ HANDLE TYPE	TİP TYPE	VIDA EKSENİ	AYNA EKSENİ	YAYLAMA TİPİ	VIDA ADT SCR QUA	VIDA BOYU SCR LENGHT	KARE SQU	DEMİR BOYU SQU	RENK KODU COLOR CODE
KB. DN.	SL	195	25-85 28-85 35-85	0Y	2 3	80	8	115	9016
		210	25-92 28-92 35-92	YY					8003
		216	25-92 28-92 35-92	00					8019
									8022

SAMPLE CODE  
KB. DN.

SL

195

25-85

0Y

2

80

8

115

9016

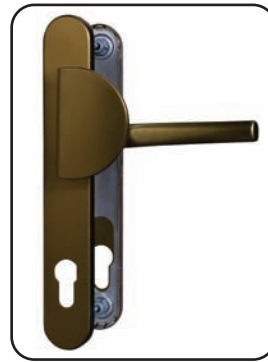
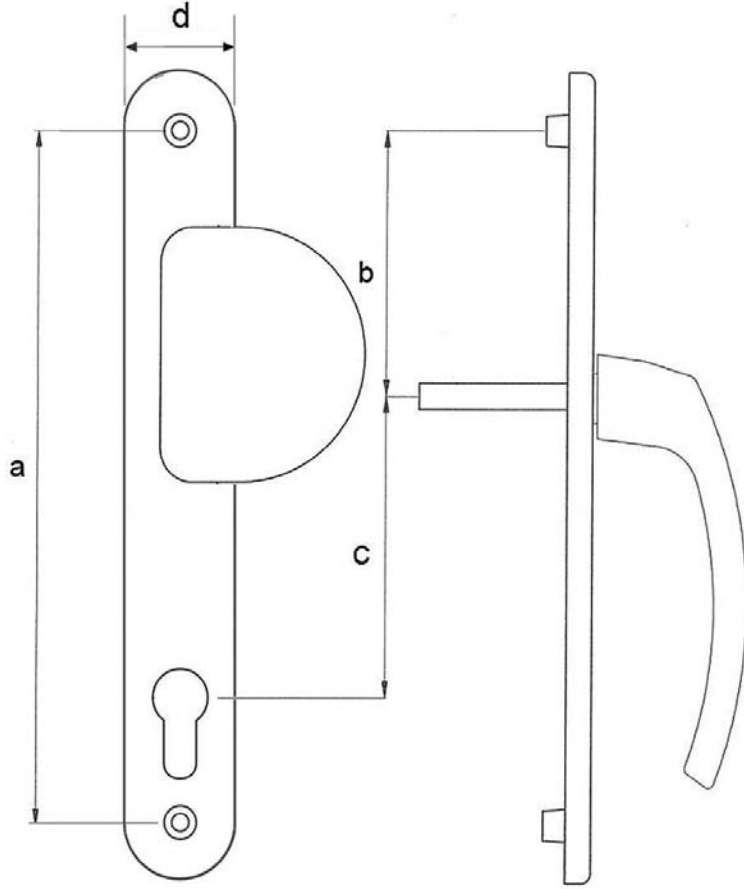


# İmat



Quality is in your hand



## ANODIZED PULL HANDLES Y TYPE PULL HANDLES



### TEKNİK ÖZELLİKLER ve ÜRÜN KODU TECHNICAL SPECIFICATIONS AND PRODUCT CODE

KOL CİNSİ HANDLE TYPE	TİP TYPE	VIDA EKSENİ	AYNA EKSENİ	YAYLAMA TİPİ	VIDA ADT SCR QUA	VIDA BOYU SCR LENGHT	KARE SQU	DEMİR BOYU SQU	RENK KODU COLOR CODE
KE. OF.	YT	216	30-92 36-92	0Y 00	2	90	8	120	EF 01  Silver EF 02  Champagne EF 03  Gold EF 04  Bronze EF 06  Matt Silver EF 09  Inox Look

SAMPLE CODE  
KE. OF.

YT

216

30-92

OY

2

90

8

120

EF04





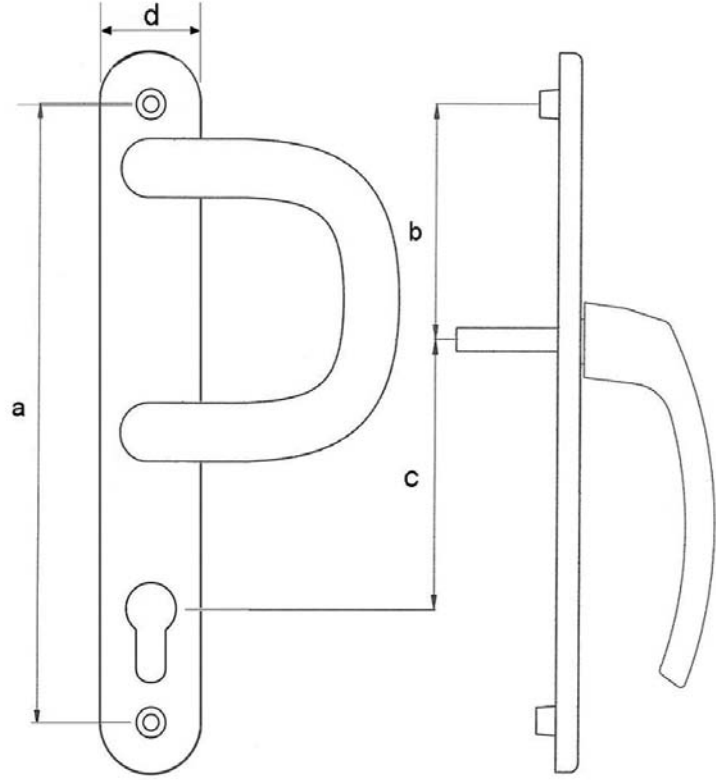
# İmat



PULL HANDLES

Quality is in your hand

## D TYPE PULL HANDLES



## RELATED MODELS



### TEKNİK ÖZELLİKLER ve ÜRÜN KODU TECHNICAL SPECIFICATIONS AND PRODUCT CODE

KOL CİNSİ HANDLE TYPE	TİP TYPE	VIDA EKSENİ	AYNA EKSENİ	YAYLAMA TİPİ	VIDA ADT SCR QUA	VIDA BOYU SCR LENGHT	KARE SQU	DEMİR BOYU SQU	RENK KODU COLOR CODE
KB.BH. KB. BZ. KB.OF. KB. DN	DT	195	25-85 28.85 35-85	00 0Y	2	90	8	80	9016
		210	25-92 28-92 35-92						8003
		216	25-92 28-92 35-92						8019
									8022

SAMPLE CODE  
KB. BH.

DT

195

35-85

00

2

90

8

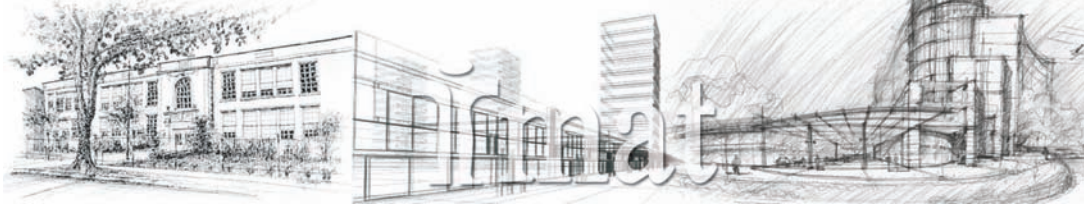
80

9016



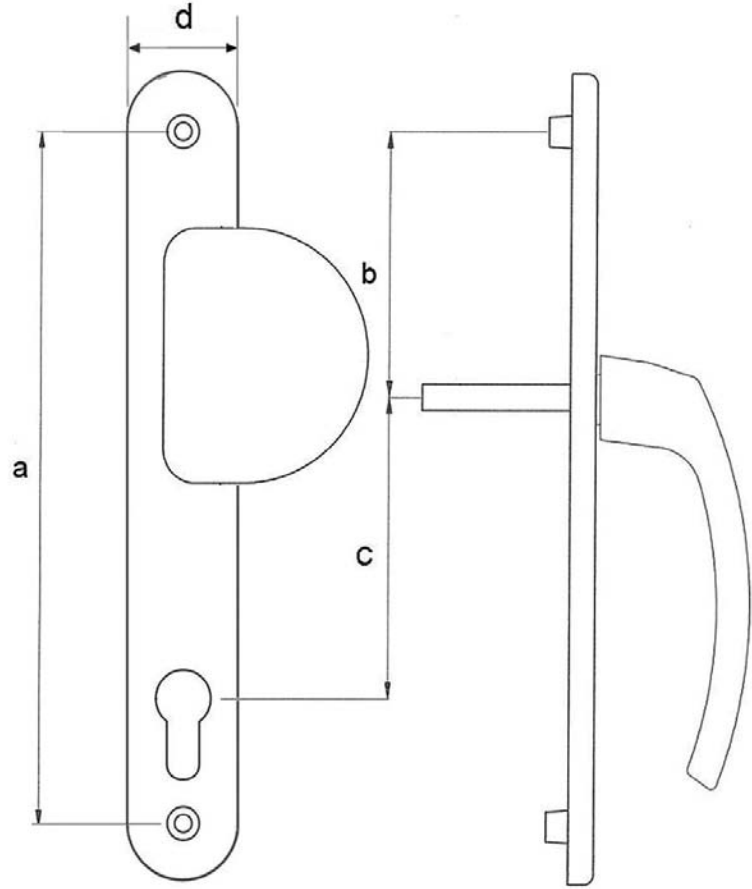
# İmat

Quality is in your hand



## PULL HANDLES

### Y TYPE PULL HANDLES



### RELATED MODELS



Bahar



Capri



Deniz



Oval Filiz

#### TEKNİK ÖZELLİKLER ve ÜRÜN KODU TECHNICAL SPECIFICATIONS AND PRODUCT CODE

KOL CİNSİ HANDLE TYPE	TİP TYPE	VİDA EKSENİ	AYNA EKSENİ	YAYLAMA TİPİ	VİDA ADT SCR QUA	VİDA BOYU SCR LENGHT	KARE SQU	DEMİR BOYU SQU	RENK KODU COLOR CODE
KB.BH. KB. BZ. KB.OF. KB. DN	YT	195	25-85 28.85 35-85	00	2	90	8	80	9016
		210	25-92 28-92 35-92						0Y
		216	25-92 28-92 35-92						8019
									8022

SAMPLE CODE  
KB. BH.

YT

210

25-92

00

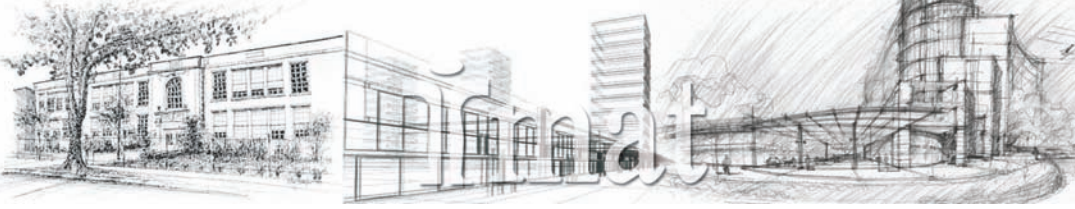
2

90

8

80

9016



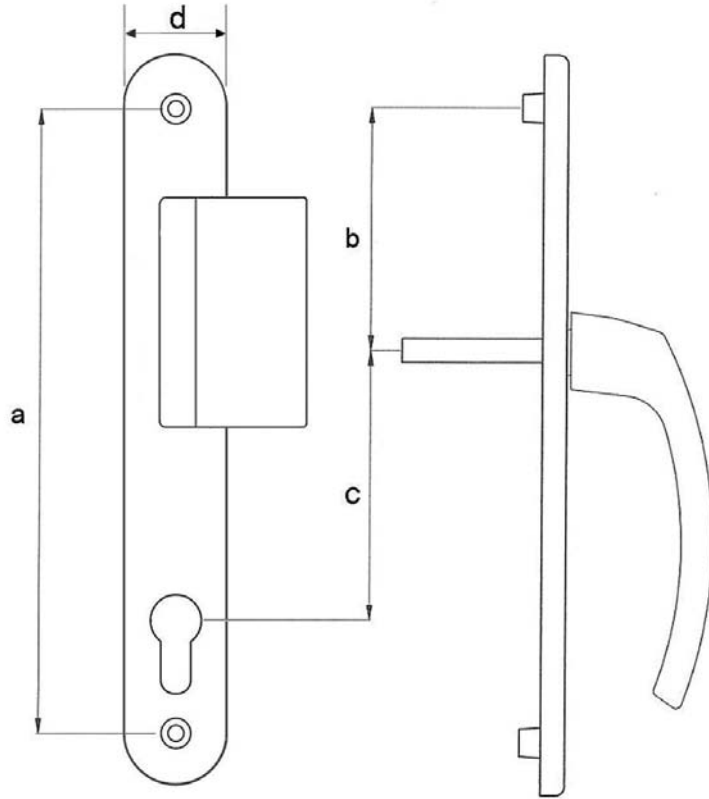
# İmat



PULL HANDLES

Quality is in your hand

PULL HANDLES



## RELATED MODELS



Bahar



Capri



Deniz



Oval Filiz

### TEKNİK ÖZELLİKLER ve ÜRÜN KODU TECHNICAL SPECIFICATIONS AND PRODUCT CODE

KOL CINSİ HANDLE TYPE	TİP TYPE	VİDA EKSENİ	AYNA EKSENİ	YAYLAMA TİPİ	VİDA ADT SCR QUA	VİDA BOYU SCR LENGHT	KARE SQU	DEMİR BOYU SQU	RENK KODU COLOR CODE
KB.BH. KB. BZ. KB.OF. KB. DN	TT	195	25-85 28.85 35-85	00 0Y	2	80	8	80	9016
		210	25-92 28-92 35-92						8003
		216	25-92 28-92 35-92						8019
								8022	

SAMPLE CODE  
KB. BH.

TT

210

35-92

00

2

80

8

80

9016

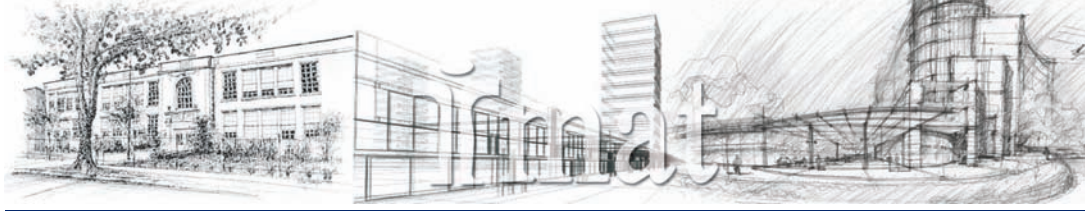
TUTAMAKLI KOLLAR

35



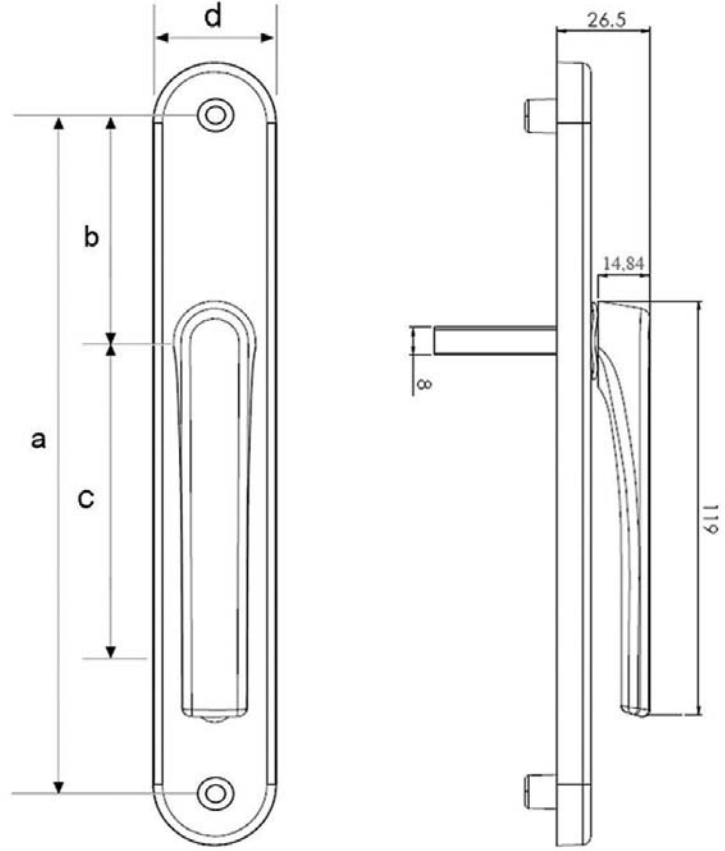
# İmat

Quality is in your hand



## ALUMINIUM DOOR HANDLES

### SHORT NECK HANDLES



TEKNİK ÖZELLİKLER ve ÜRÜN KODU TECHNICAL SPECIFICATIONS AND PRODUCT CODE									
KOL CİNSİ HANDLE TYPE	TİP TYPE	VIDA EKSENİ	AYNA EKSENİ	YAYLAMA TİPİ	VIDA ADT SCR QUA	VIDA BOYU SCR LENGHT	KARE SQU	DEMİR BOYU SQU	RENK KODU COLOR CODE
KB. OB.	SL	195	25-70 28-70 25-85 28-85 35-85	00	2	90	8	120	9016
		210	25-92 28-92						0Y
		216	35-92						8019
									8022

SAMPLE CODE  
KB. OB.

SL

195

25-85

00

2

90

8

120

9016





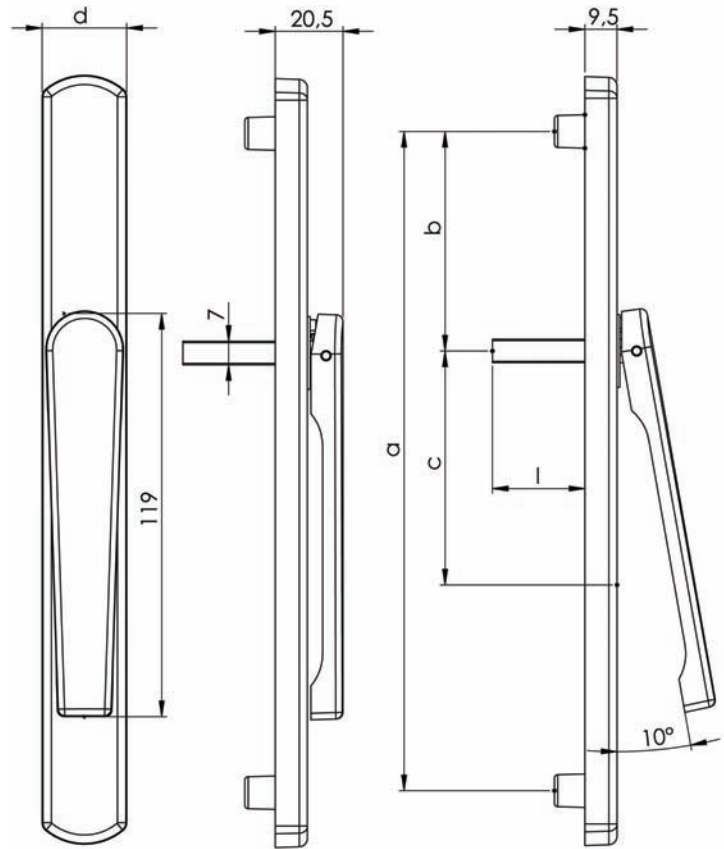
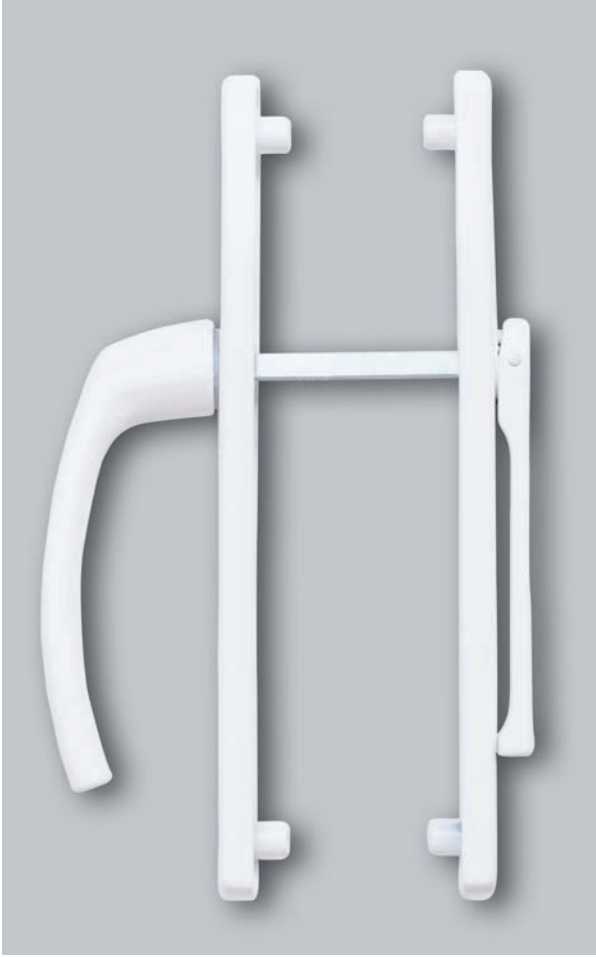
# İmat


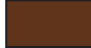



## ALUMINIUM DOOR HANDLES

Quality is in your hand

### SPRING LOADED SHORT NECK HANDLES



TEKNİK ÖZELLİKLER ve ÜRÜN KODU TECHNICAL SPECIFICATIONS AND PRODUCT CODE									
KOL CİNSİ HANDLE TYPE	TİP TYPE	VIDA EKSENİ	AYNA EKSENİ	YAYLAMA TİPİ	VIDA ADT SCR QUA	VIDA BOYU SCR LENGHT	KARE SQU	DEMİR BOYU SQU	RENK KODU COLOR CODE
KB. OB.	SL	195	25-70	0Y	2	80	7	100	9016 
			28-70						8003 
			28-85						8019 
		210	25-92					8022 	
		216	28-92						
			35-85						
			35-92						

SAMPLE CODE  
KB. OB.

SL

195

25-70

0Y

2

80

7

100

9016

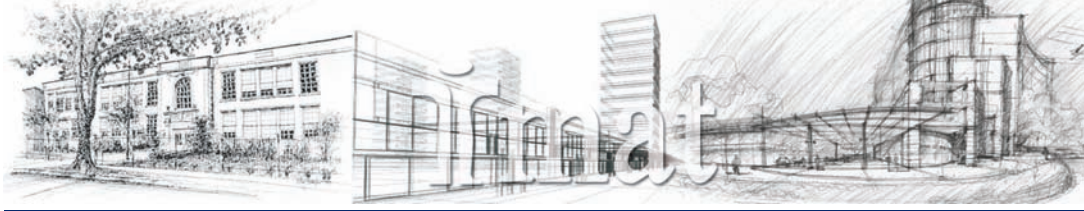
## ALUMİNYUM KAPI KOLLARI

37



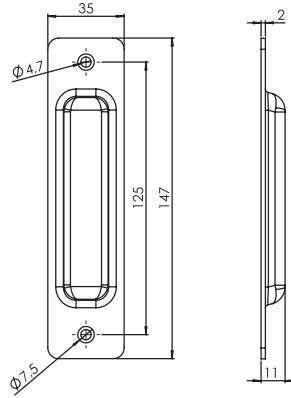
# İmat

Quality is in your hand



## SLIDING DOOR HANDLES

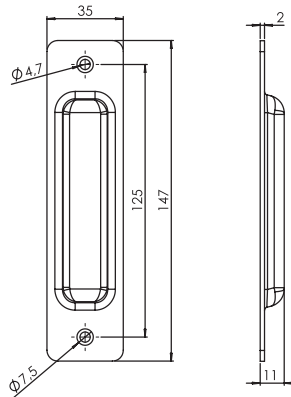
### ANODIZED SLIDING DOOR GRIP / ELOKSAL SÜRME TUTAMAK



GE.TUT.00.000.000000.000.EF01

EF 01		Silver
EF 02		Champagne
EF 03		Gold
EF 04		Bronze
EF 06		Matt Silver
EF 09		Inox Look

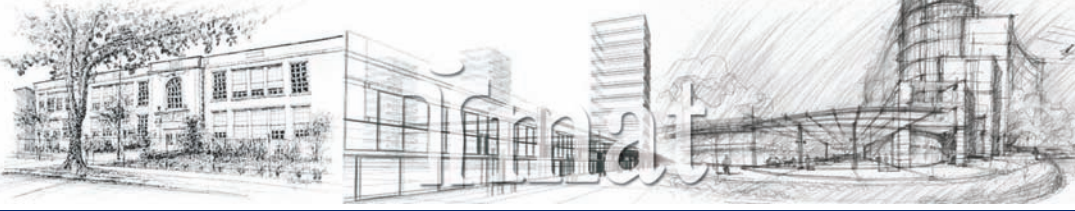
### SLIDING DOOR GRIP / SÜRME TUTAMAK



GB.TUT.00.000.000000.000.9016

Ral 9016	
Ral 8003	
Ral 8019	
Ral 8022	





# İmat



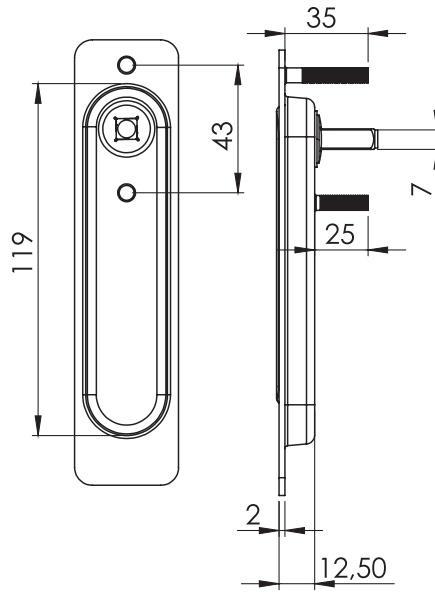
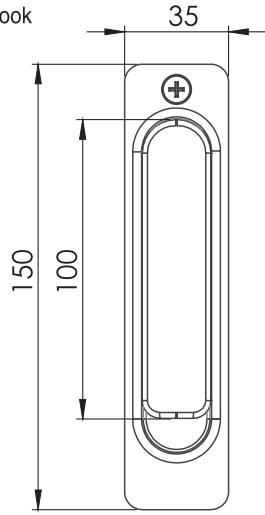
SLIDING DOOR HANDLES





Quality is in your hand

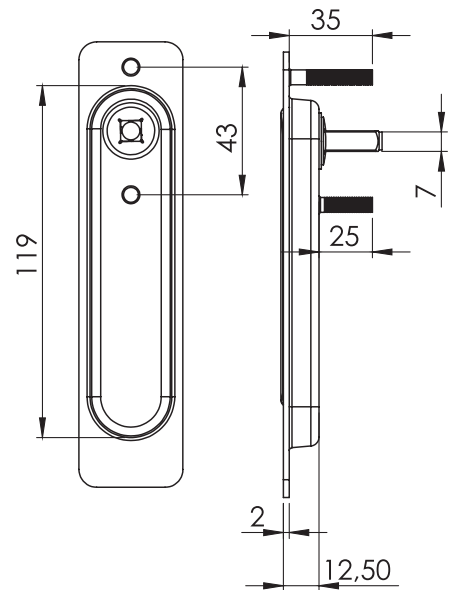
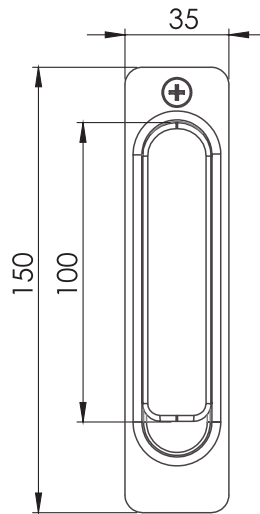
## ANODIZED POP UP SLIDING HANDLES ELOKSAL GÖMME SÜRME KOL

- EF 01  Silver
- EF 02  Champagne
- EF 03  Gold
- EF 04  Bronze
- EF 06  Matt Silver
- EF 09  Inox Look

GE.SUR.00.012.352535.000.EF01



- Ral 9016 
- Ral 8003 
- Ral 8019 
- Ral 8022 



GB.SUR.00.012.352535.000.9016

## POP UP SLIDING HANDLES BOYALI GÖMME SÜRME KOL





# İmat

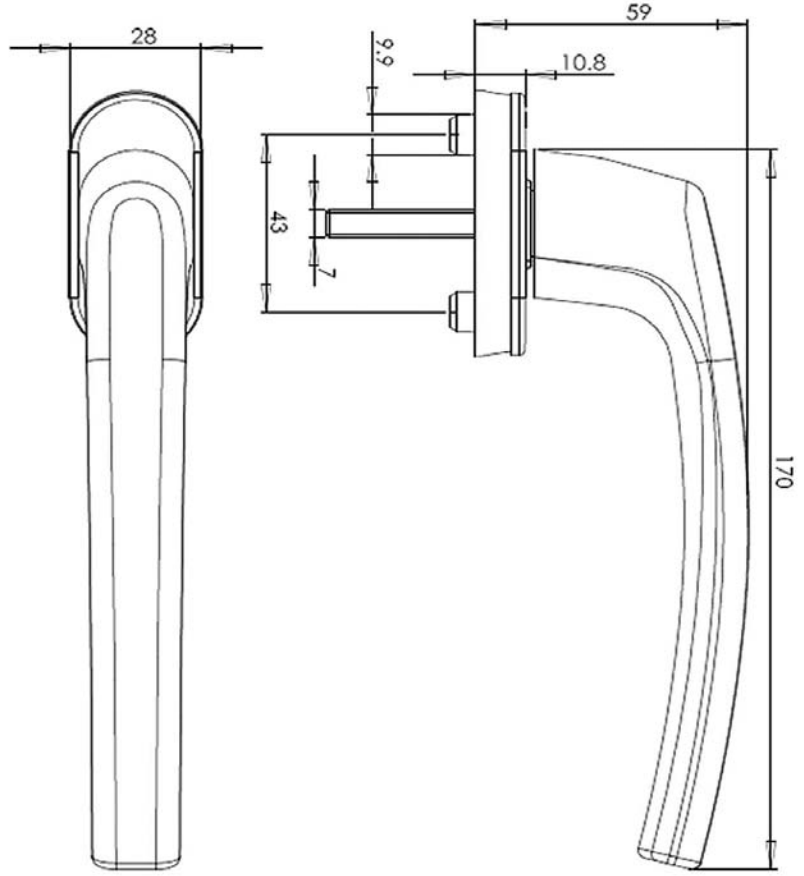
Quality is in your hand



## SLIDING DOOR HANDLES

### OVAL FİLİZ

EF 03 EF 04 EF 09



TEKNİK ÖZELLİKLER ve ÜRÜN KODU TECHNICAL SPECIFICATIONS AND PRODUCT CODE						
KOL CİNSİ HANDLE TYPE	TİP TYPE		VİDA BOYU SCR LENGHT	DEMİR BOYU SQU LENGHT	KLT KONUMU LOCKING POS.	RENK KODU COLOR CODE
SE.OFL	00	50	40	35	45	EF 01  Silver
			45	40	90	EF 02  Champagne
						EF 03  Gold
						EF 04  Bronze
						EF 06  Matt Silver
						EF 09  Inox Look

SAMPLE CODE SE.OFL 00 50 45 40 90 EF 01

TEKNİK ÖZELLİKLER ve ÜRÜN KODU TECHNICAL SPECIFICATIONS AND PRODUCT CODE						
KOL CİNSİ HANDLE TYPE	TİP TYPE		VİDA BOYU SCR LENGHT	DEMİR BOYU SQU LENGHT	KLT KONUMU LOCKING POS.	RENK KODU COLOR CODE
SU.OFL	00	50	40	35	45	9016
			45	40	90	8003
						8019
						8022

SAMPLE CODE SU.OFL 00 50 45 40 90 9016





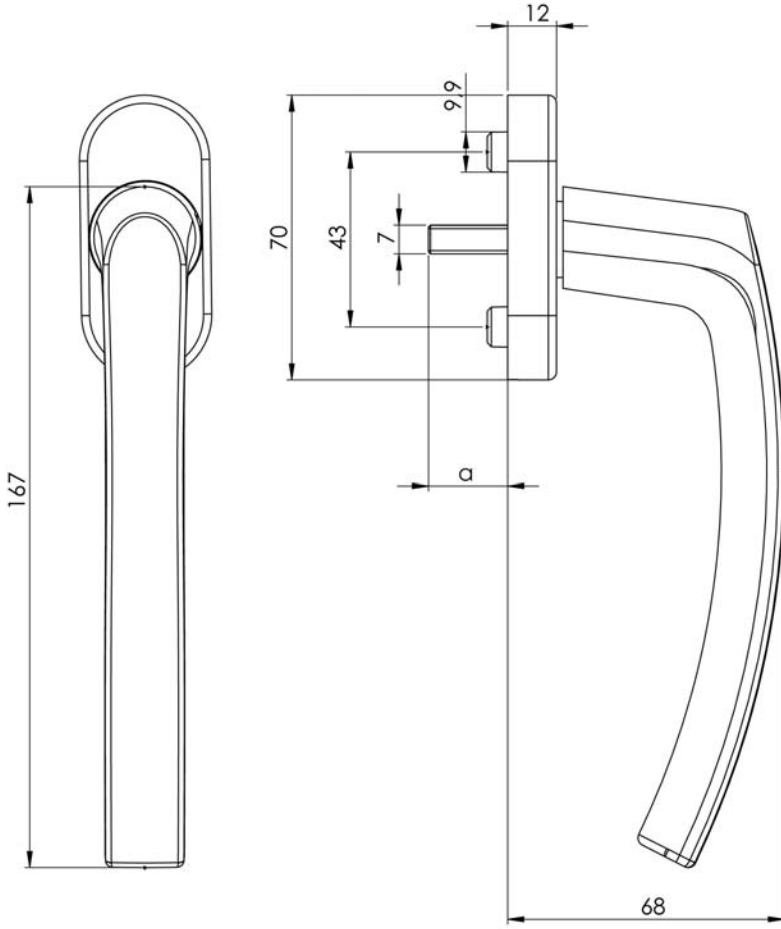
# İmat



## SLIDING DOOR HANDLES

Quality is in your hand

### BATI



TEKNİK ÖZELLİKLER ve ÜRÜN KODU TECHNICAL SPECIFICATIONS AND PRODUCT CODE						
KOL CİNSİ HANDLE TYPE	TİP TYPE		VİDA BOYU SCR LENGHT	DEMİR BOYU SQU LENGHT	KLT KONUMU LOCKING POS.	RENK KODU COLOR CODE
SE.BAT	00	50	40	35	45	EF 01  Silver
			45	40	90	EF 02  Champagne EF 03  Gold EF 04  Bronze EF 06  Matt Silver EF 09  Inox Look

SAMPLE CODE SE.BAT 00 50 45 40 90 EF 01

TEKNİK ÖZELLİKLER ve ÜRÜN KODU TECHNICAL SPECIFICATIONS AND PRODUCT CODE						
KOL CİNSİ HANDLE TYPE	TİP TYPE		VİDA BOYU SCR LENGHT	DEMİR BOYU SQU LENGHT	KLT KONUMU LOCKING POS.	RENK KODU COLOR CODE
SU.BAT	00	50	40	35	45	9016
			45	40	90	8003 8019 8022

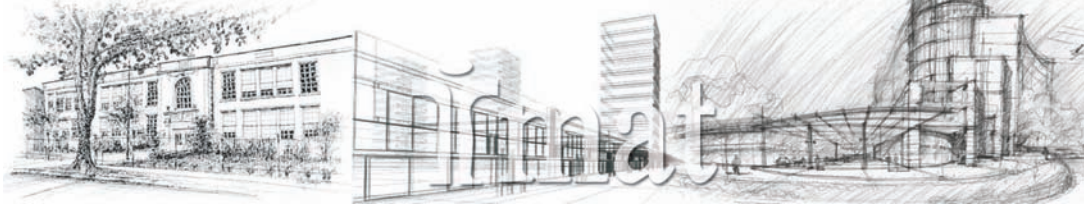
SAMPLE CODE SU.BAT 00 50 45 40 90 9016



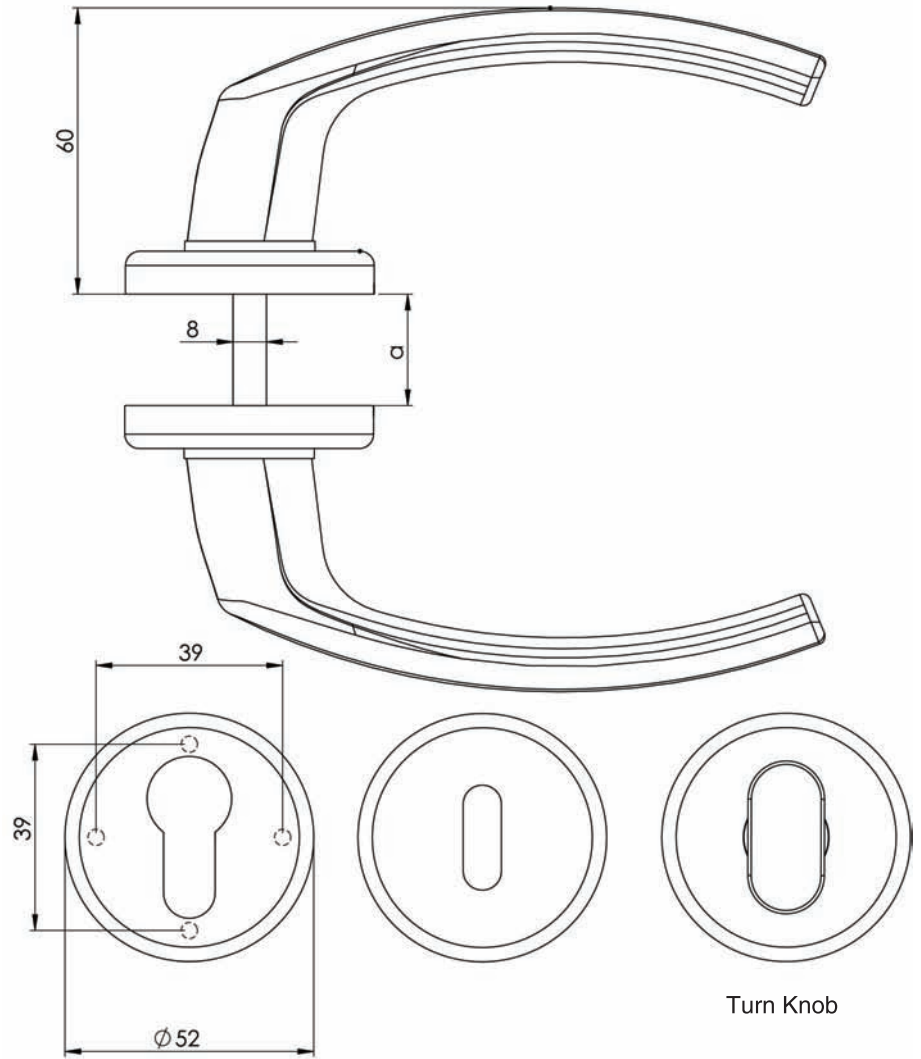


# İmat


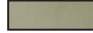
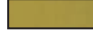



Quality is in your hand



## ANODIZED TIMBER DOOR HANDLES OVAL FİLİZ



Turn Knob

TEKNİK ÖZELLİKLER ve ÜRÜN KODU TECHNICAL SPECIFICATIONS AND PRODUCT CODE				
KOL CİNSİ HANDLE TYPE	TİP TYPE		DEMİR BOYU SQU LENGHT	RENK KODU COLOR CODE
KE. OF.	YAY ODA BWC	YRZ.5200	85 100	EF 01  Silver
				EF 02  Champagne
				EF 03  Gold
				EF 04  Bronze
				EF 06  Matt Silver
				EF 09  Inox Look

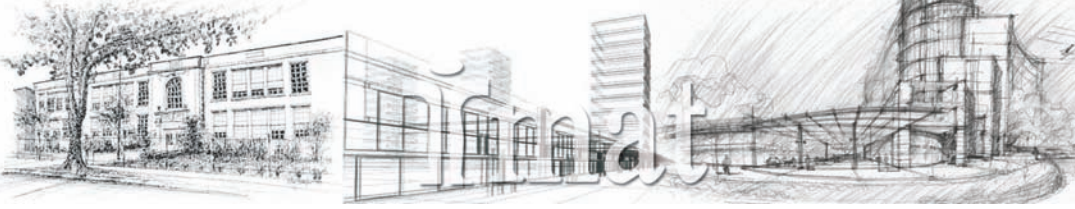
SAMPLE CODE  
KE. OF.

WC

YRZ.5200

90

EF 01



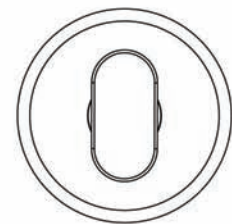
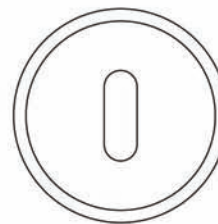
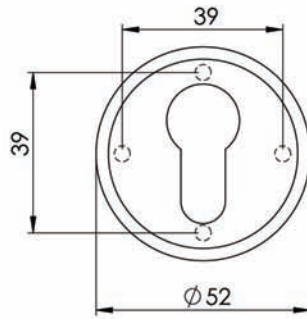
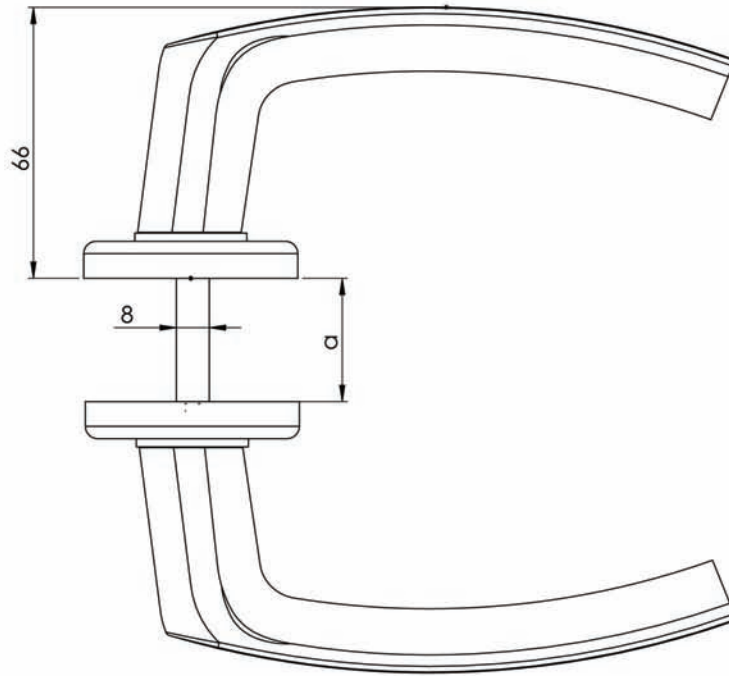
# İmat



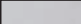


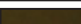


## ANODIZED TIMBER DOOR HANDLES

Quality is in your hand

### BATI



Turn Knob

TEKNİK ÖZELLİKLER ve ÜRÜN KODU TECHNICAL SPECIFICATIONS AND PRODUCT CODE				
KOL CİNSİ HANDLE TYPE	TIP TYPE		DEMİR BOYU SQU LENGHT	RENK KODU COLOR CODE
KE. BT.	YAY ODA BWC	YRZ.5200	85 100	EF 01  Silver EF 02  Champagne EF 03  Gold EF 04  Bronze EF 06  Matt Silver EF 09  Inox Look

SAMPLE CODE  
KE. BT.

WC

YRZ.5200

90

EF 01



# İmat

Quality is in your hand

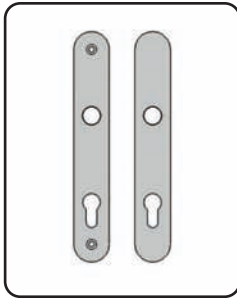
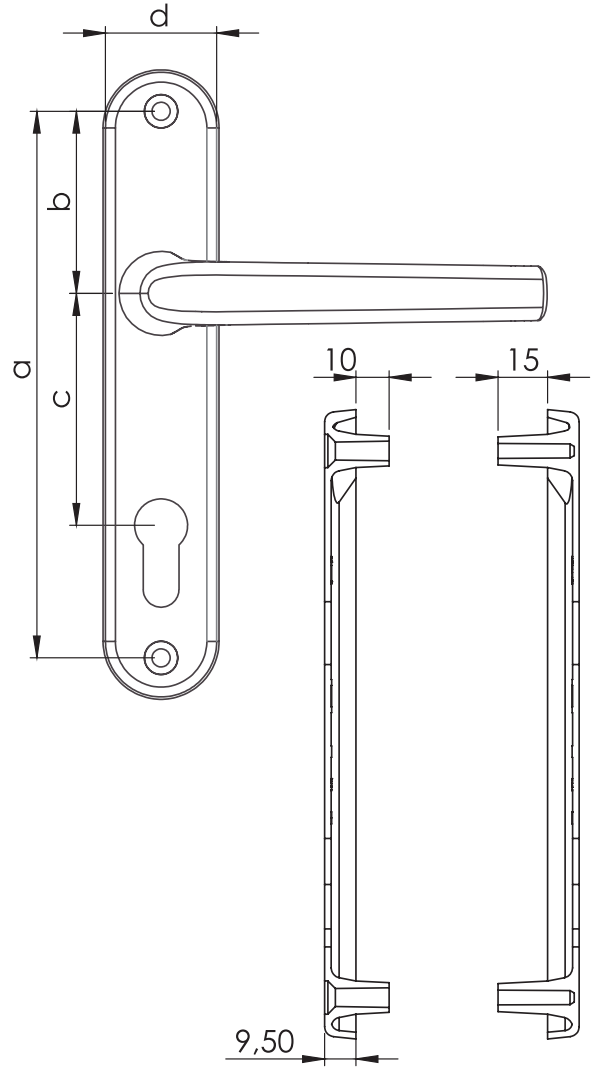


## ALUMINIUM DOOR HANDLES

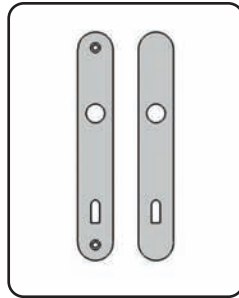
### SPECIAL PLATES



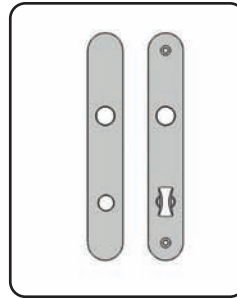
**NEW**



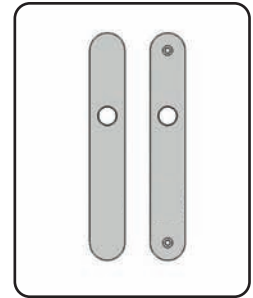
**CYLINDER  
SİL**



**ROOM  
ODA**



**WC  
BWC**



**LATCH LOCK  
KÖR AYNA**

TEKNİK ÖZELLİKLER ve ÜRÜN KODU TECHNICAL SPECIFICATIONS AND PRODUCT CODE									
KOL CİNSİ HANDLE TYPE	TİP TYPE	VIDA EKSENİ	AYNA EKSENİ	YAYLAMA TİPİ	VIDA ADT SCR QUA	VIDA BOYU SCR LENGHT	KARE SQU	DEMİR BOYU SQU	RENK KODU COLOR CODE
KB.OF.	OO	165	35-70	OO	2	45	7	10	9016
	OD								8003
	WC	195	25-70	OY		8019			
	SL					8022			
	YT					40-70			

SAMPLE CODE  
KB. OF.

SL

165

35-70

OO

2

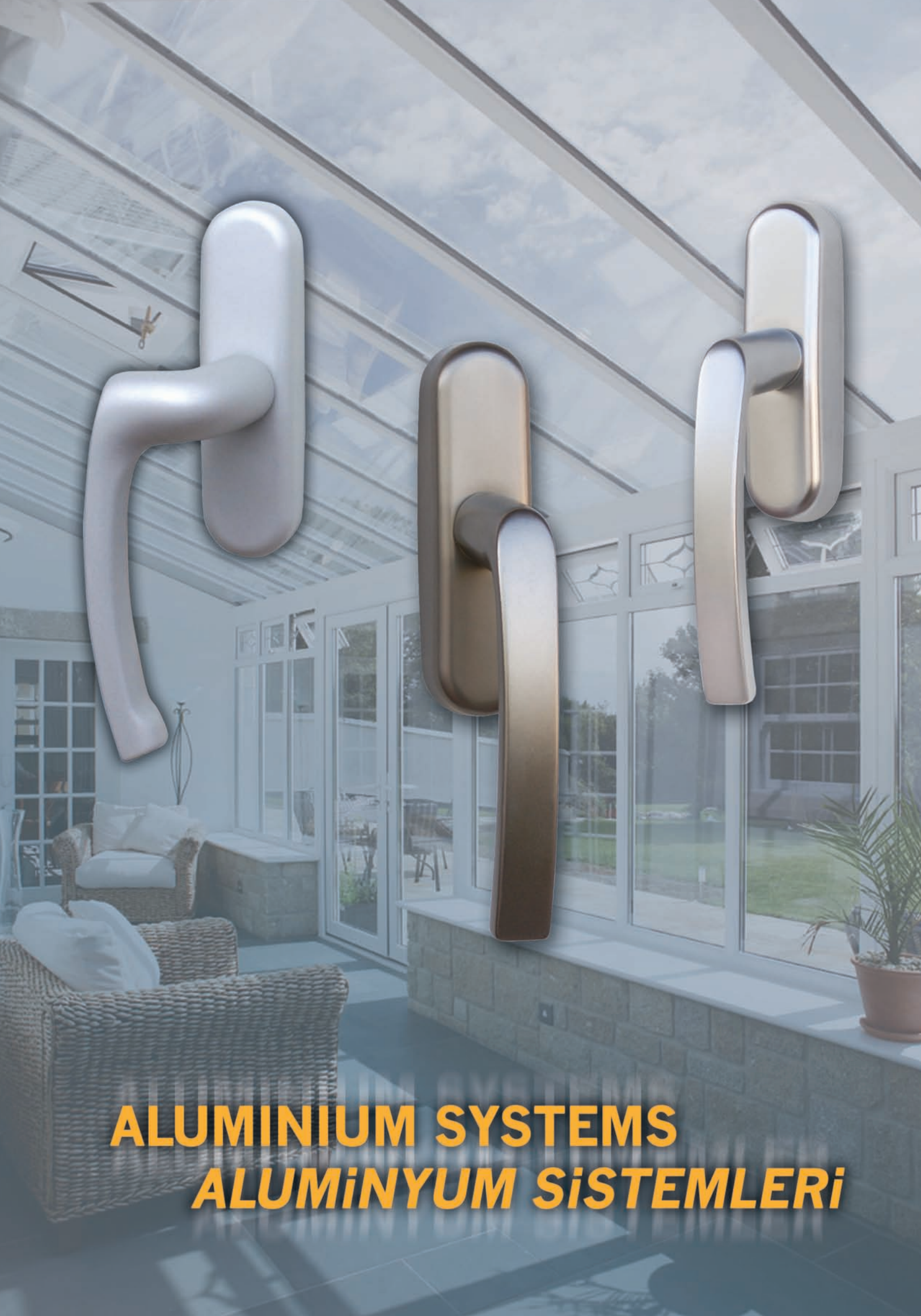
45

7

10

9016



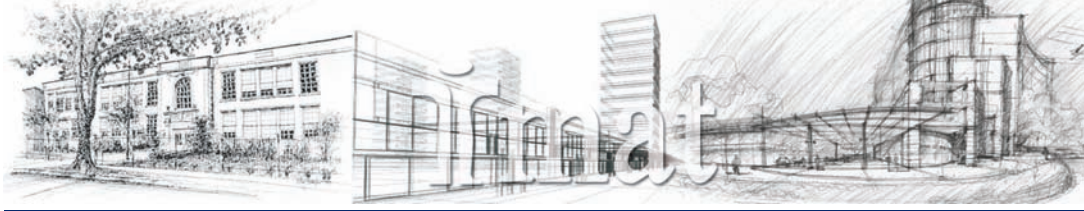


**ALUMINIUM SYSTEMS**  
**ALUMİNYUM SİSTEMLERİ**



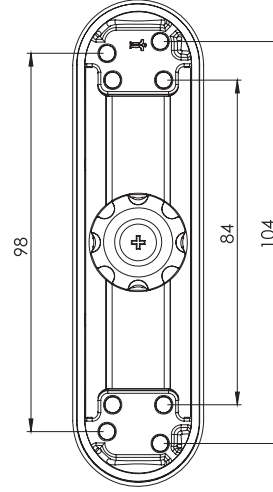
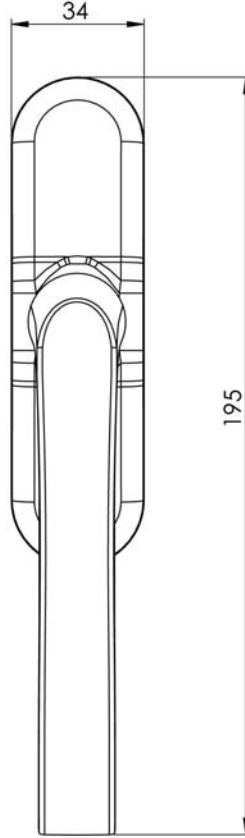
# İmat

Quality is in your hand



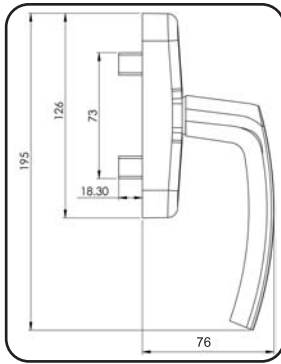
## ALUMINIUM SYSTEMS

### BATI ANODIZED CREMONE HANDLES

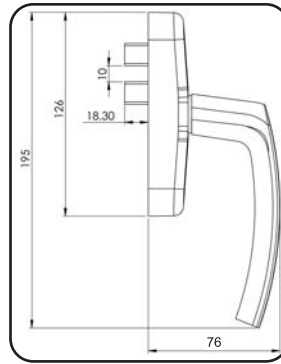


- EF 01  Silver
- EF 02  Champagne
- EF 03  Gold
- EF 04  Bronze
- EF 06  Matt Silver
- EF 09  Inox Look

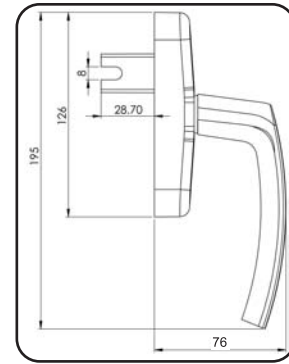
PE.BT.EK. 001.150090 EF06



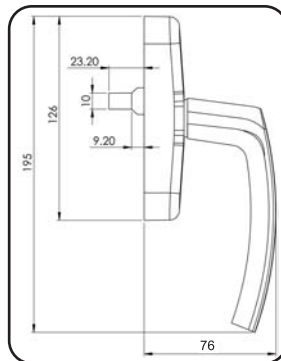
TPL. YM. 1486



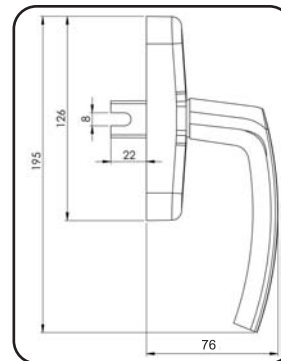
TPL. YM. 443



TPL. YM. 1233



TPL. YM. 1393

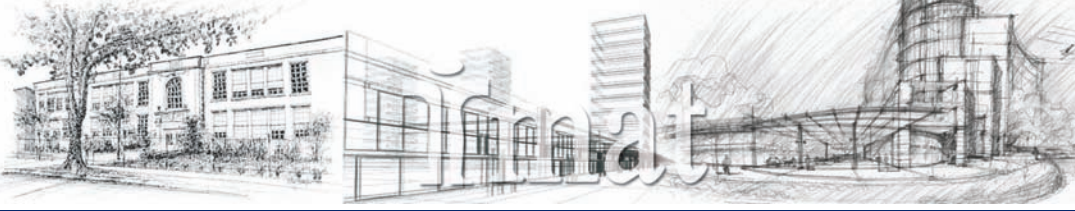


TPL. YM. 487

LÜTFEN DİLİN /  
MAÇANIN ÜRÜN  
KODUNU AYRICA  
BELİRTİNİZ...

PLEASE INDICATE  
THE ARTICLE CODE  
OF THE TONGUE  
SEPARATELY...





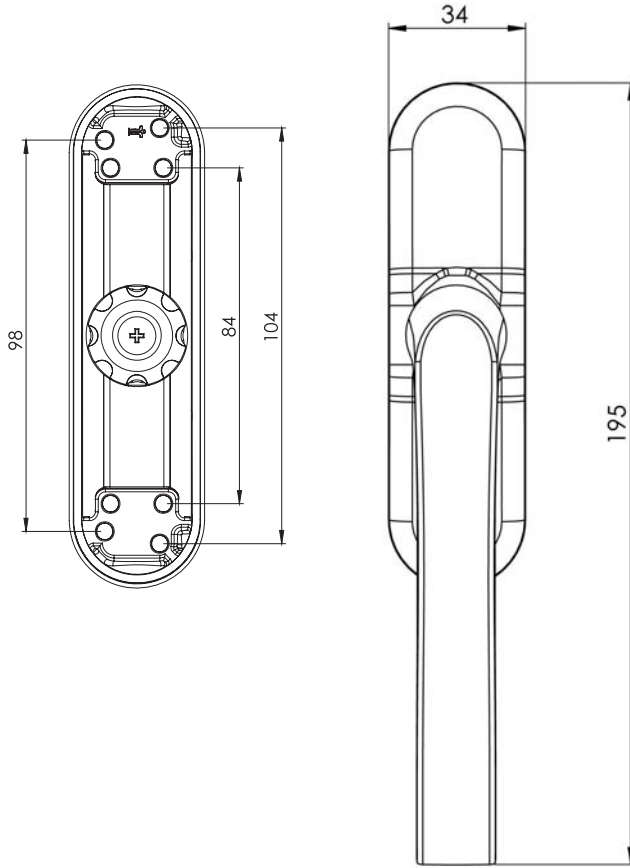
# imat









ALUMINIUM SYSTEMS

BATI CREMONE HANDLES

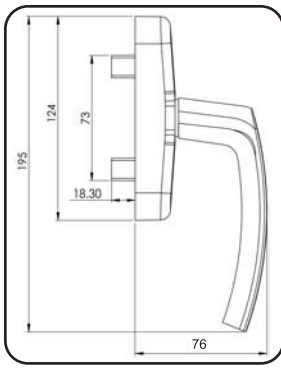
Quality is in your hand



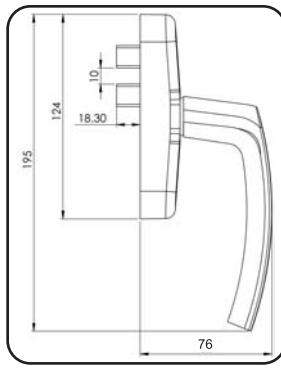
- Ral 9016 
- Ral 8003 
- Ral 8019 
- Ral 8022 
- MH 948 
- Unpainted 



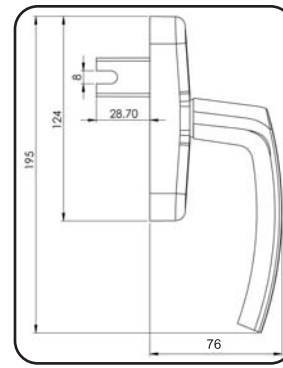
PB.BT.EK. 001.150090 9016



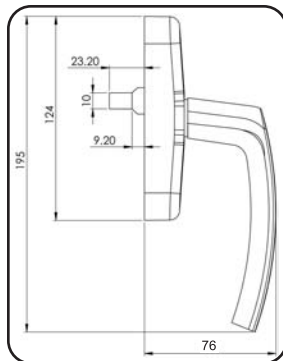
TPL. YM. 1486



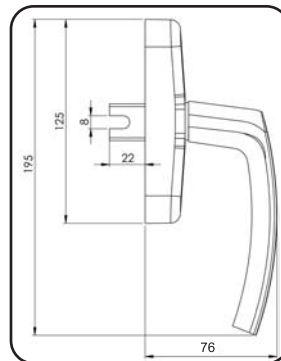
TPL. YM. 443



TPL. YM. 1233



TPL. YM. 1393



TPL. YM. 487

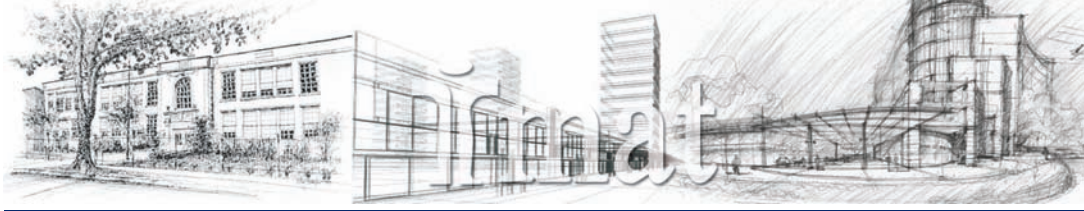
LÜTFEN DİLİN /  
MAÇANIN ÜRÜN  
KODUNU AYRICA  
BELİRTİNİZ...

PLEASE INDICATE  
THE ARTICLE CODE  
OF THE TONGUE  
SEPARATELY...



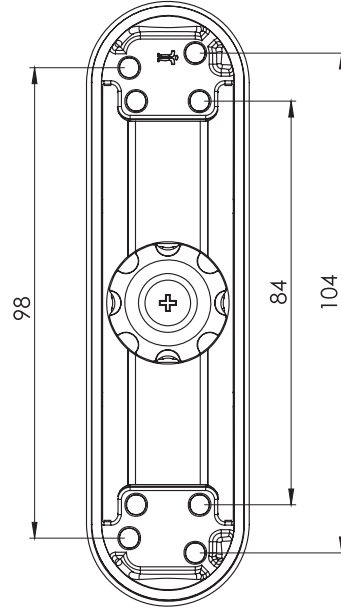
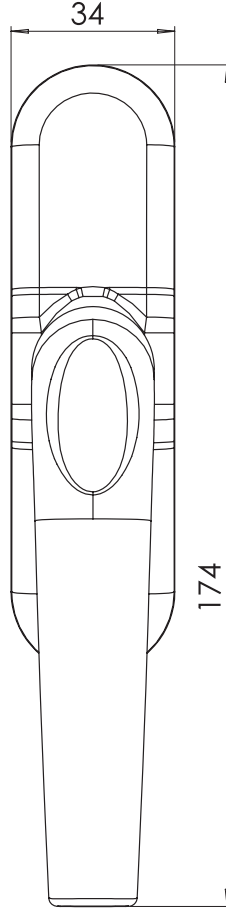
# İmat

Quality is in your hand



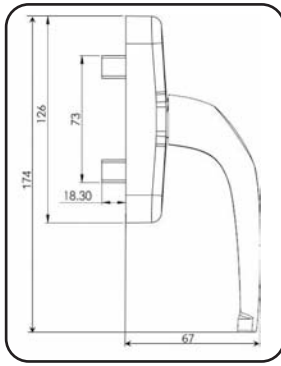
## ALUMINIUM SYSTEMS

### FALCON ANODIZED CREMONE HANDLES

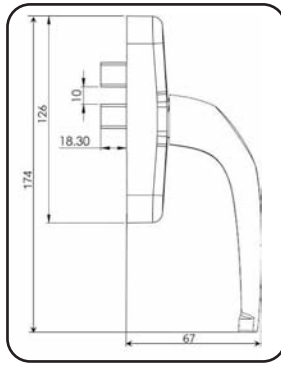


- |       |  |             |
|-------|--|-------------|
| EF 01 |  | Silver      |
| EF 02 |  | Champagne   |
| EF 03 |  | Gold        |
| EF 04 |  | Bronze      |
| EF 06 |  | Matt Silver |
| EF 09 |  | Inox Look   |

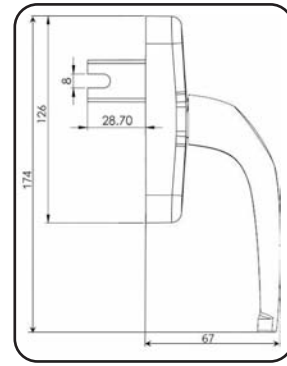
PE.FLC.EK. 001.150090 EF06



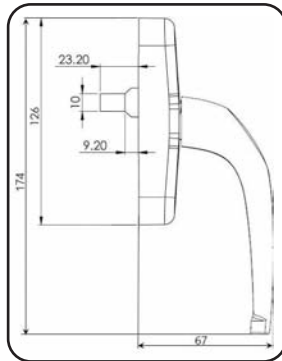
TPL. YM. 1486



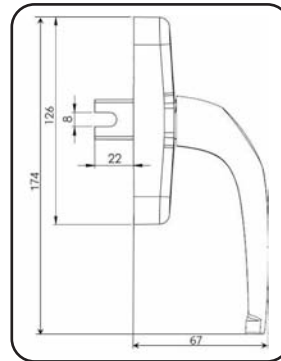
TPL. YM. 443



TPL. YM. 1233



TPL. YM. 1393

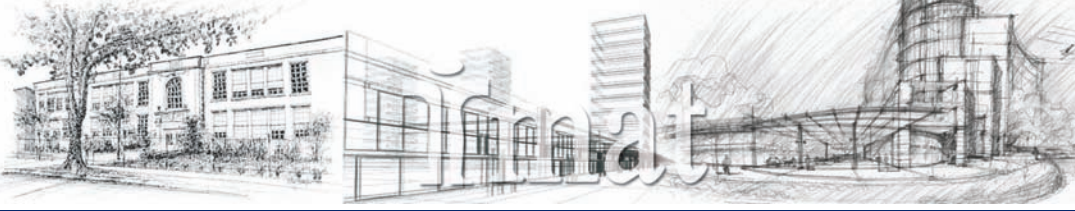


TPL. YM. 487

LÜTFEN DİLİN /  
MAÇANIN ÜRÜN  
KODUNU AYRICA  
BELİRTİNİZ...

PLEASE INDICATE  
THE ARTICLE CODE  
OF THE TONGUE  
SEPARATELY...





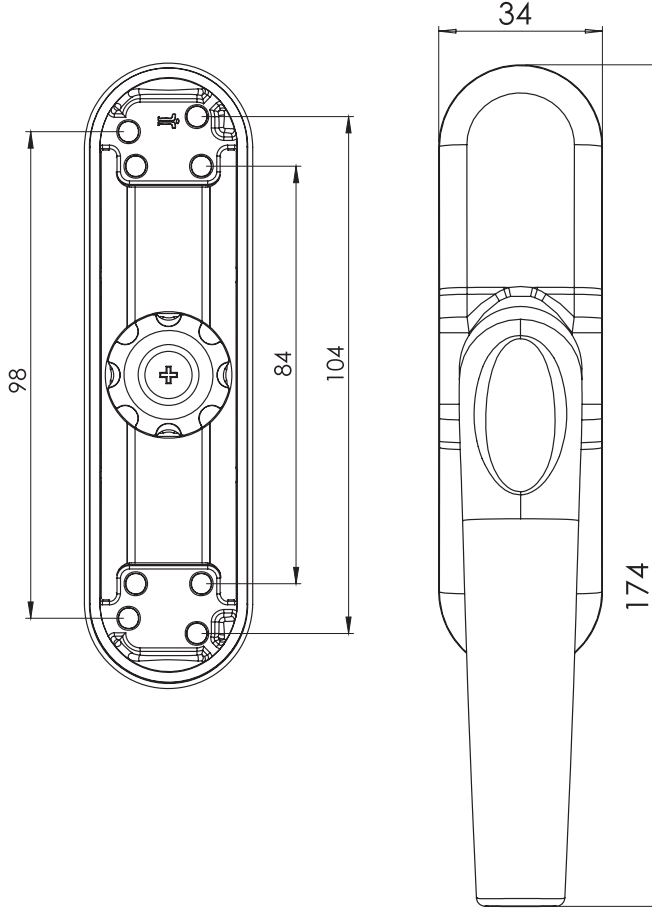
# imat









ALUMINIUM SYSTEMS

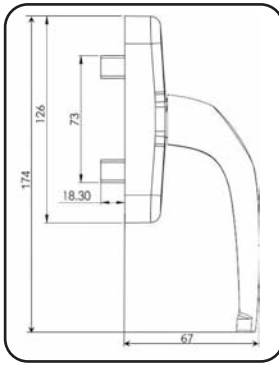
Quality is in your hand

## FALCON CREMONE HANDLES

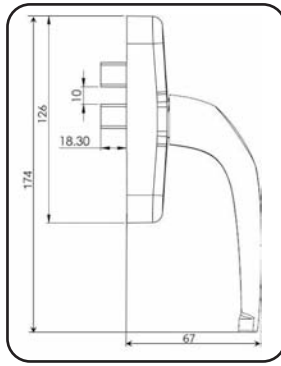


- Ral 9016 
- Ral 8003 
- Ral 8019 
- Ral 8022 
- MH 948 
- Unpainted 

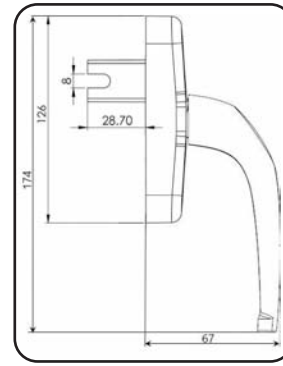
PB.FLC.EK. 001.150090 9016



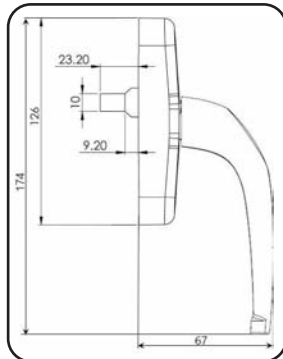
TPL. YM. 1486



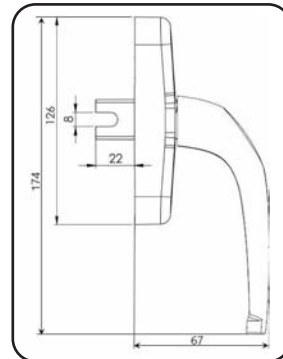
TPL. YM. 443



TPL. YM. 1233



TPL. YM. 1393



TPL. YM. 487

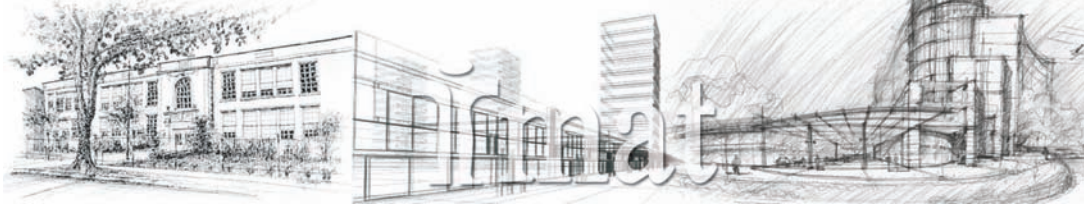
LÜTFEN DİLİN /  
MAÇANIN ÜRÜN  
KODUNU AYRICA  
BELİRTİNİZ...

PLEASE INDICATE  
THE ARTICLE CODE  
OF THE TONGUE  
SEPARATELY...



# imat

Quality is in your hand



## ALUMINIUM SYSTEMS

### CRANKED CREMONE HANDLES

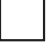







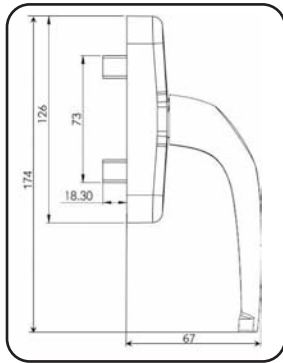
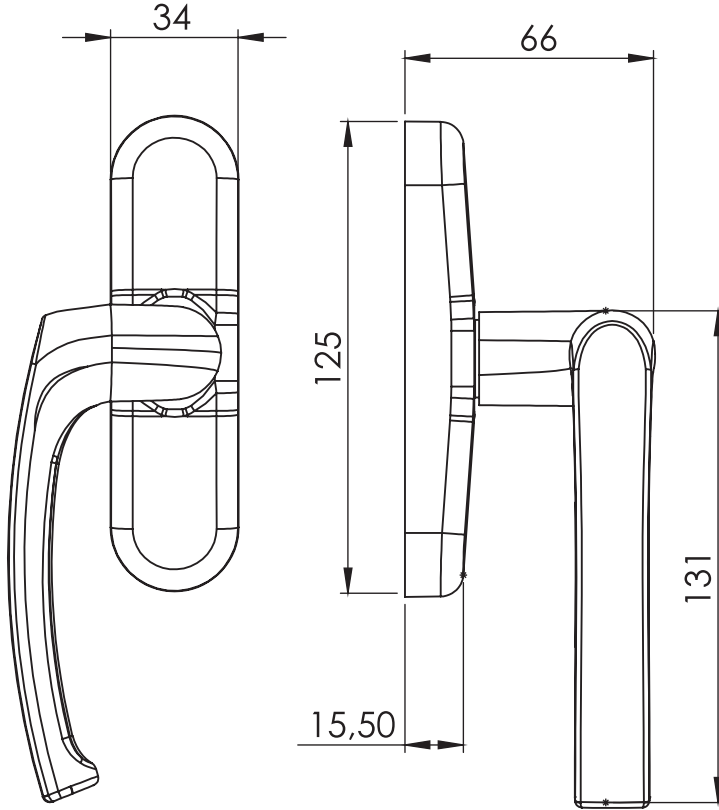
**NEW**



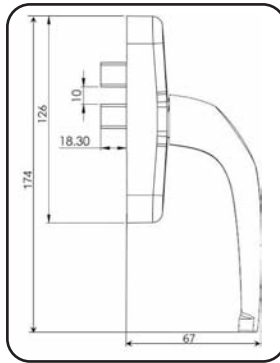
**NEW**

- EF 01  Silver
- EF 02  Champagne
- EF 03  Gold
- EF 04  Bronze
- EF 06  Matt Silver
- EF 09  Inox Look

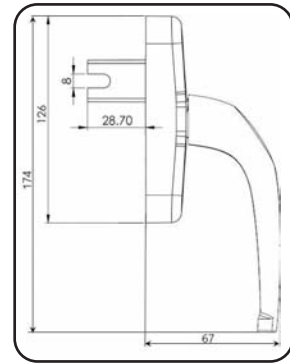
- Ral 9016 
- Ral 8003 
- Ral 8019 
- Ral 8022 
- MH 948 
- Unpainted 



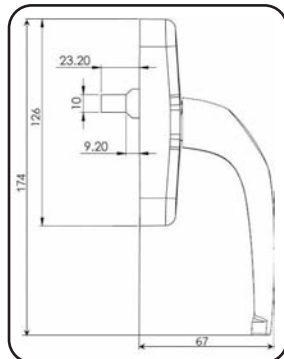
TPL. YM. 1486



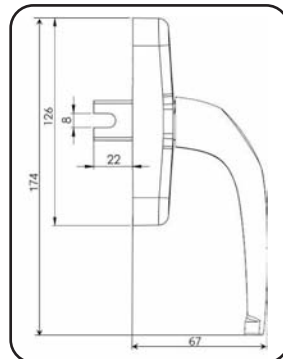
TPL. YM. 443



TPL. YM. 1233



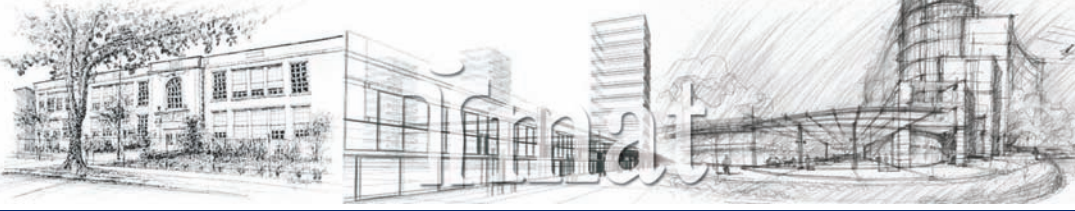
TPL. YM. 1393



TPL. YM. 487

LÜTFEN DİLİN /  
MAÇANIN ÜRÜN  
KODUNU AYRICA  
BELİRTİNİZ...

PLEASE INDICATE  
THE ARTICLE CODE  
OF THE TONGUE  
SEPARATELY...

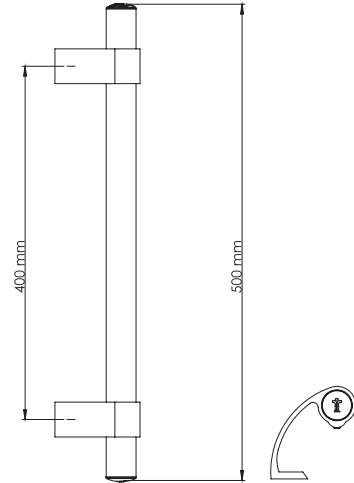
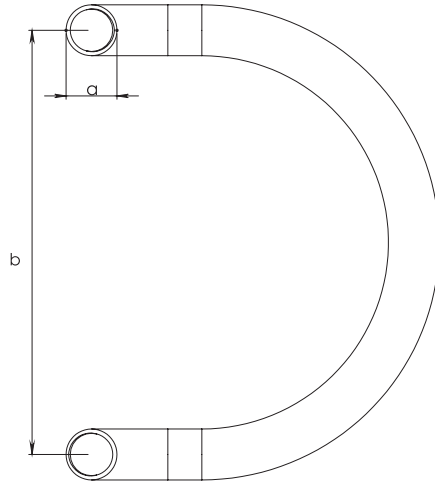
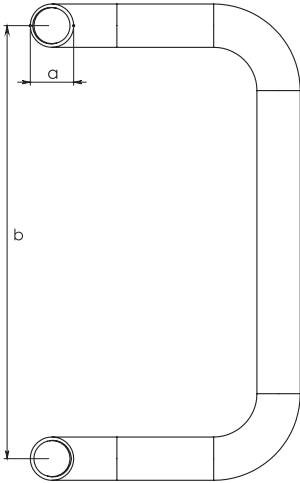
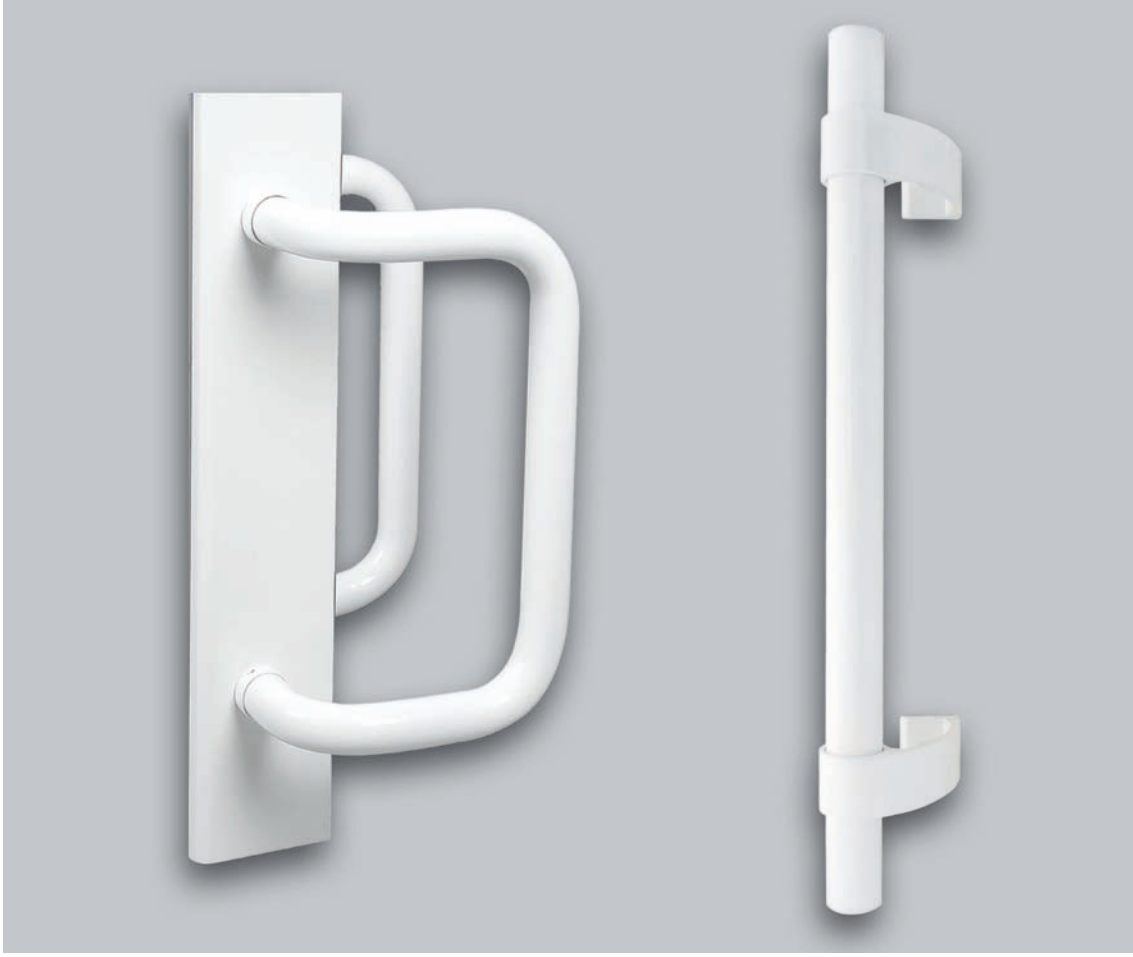



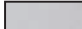

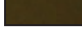




# İmat



## ALUMINIUM SYSTEMS OFFICE HANDLES

Quality is in your hand



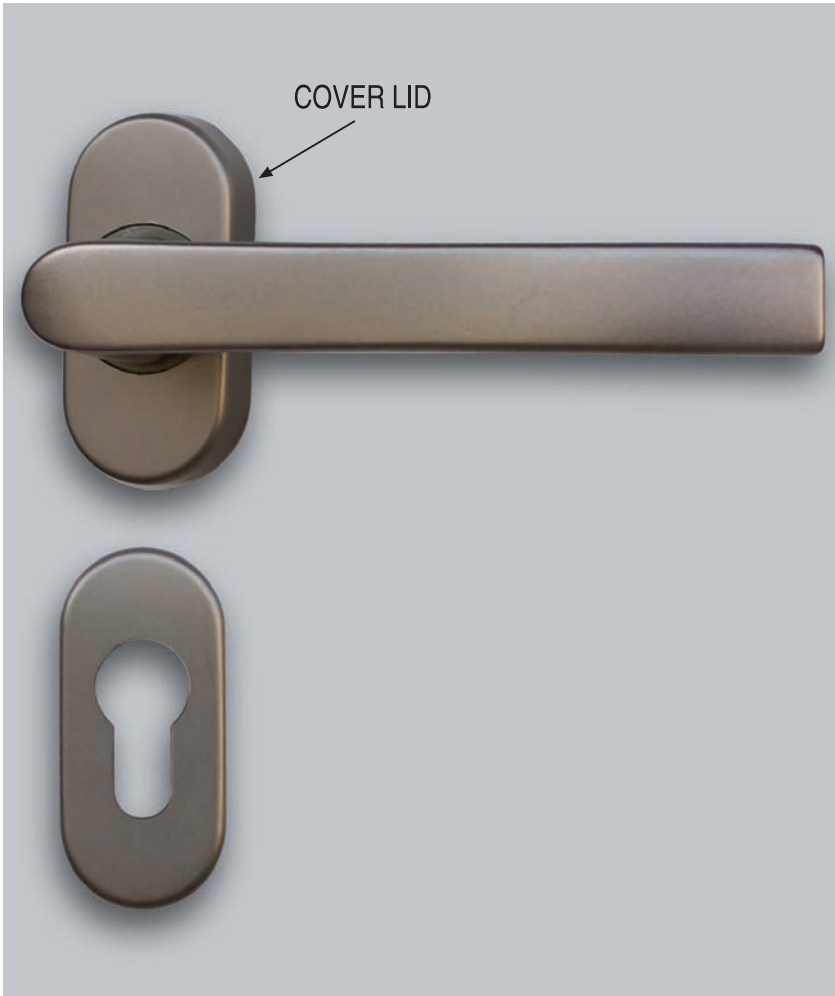
TEKNİK ÖZELLİKLER ve ÜRÜN KODU TECHNICAL SPECIFICATIONS AND PRODUCT CODE						
KOL CİNSİ HANDLE TYPE	TIP TYPE		BORU ÇAP (a) PIPE DIAMETER	BOY (b) LENGHT		RENK KODU COLOR CODE
BOR	DTU	000	25	250 (25)	14570	9016  EF 01  Silver
	YTU		30	300 (30)		8003  EF 04  Bronze
			350 (35)	8019  EF 06  Matt Silver		
	HTU		30	300-2000		8022  EF 09  Inox Look

SAMPLE CODE  
BOR

DTU 000 30 30 14570 9016

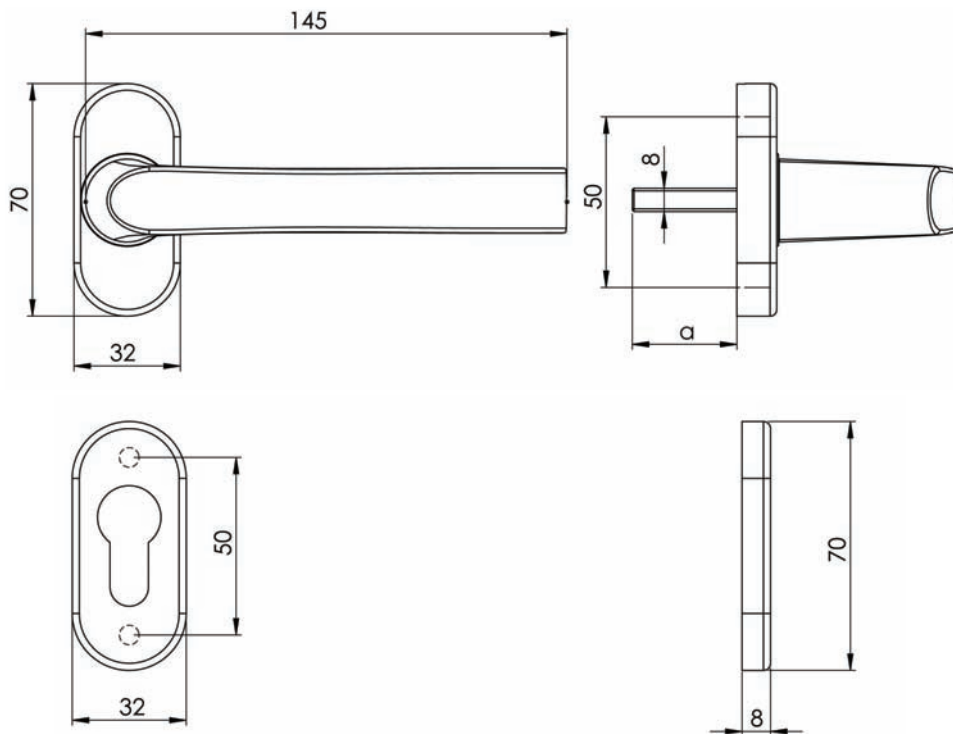


### BATI ANODIZED DOOR HANDLES



- EF 01  Silver
- EF 02  Champagne
- EF 03  Gold
- EF 04  Bronze
- EF 06  Matt Silver
- EF 09  Inox Look

KE.BT.SL.ORZ.3200.YY.819820.00.EF09







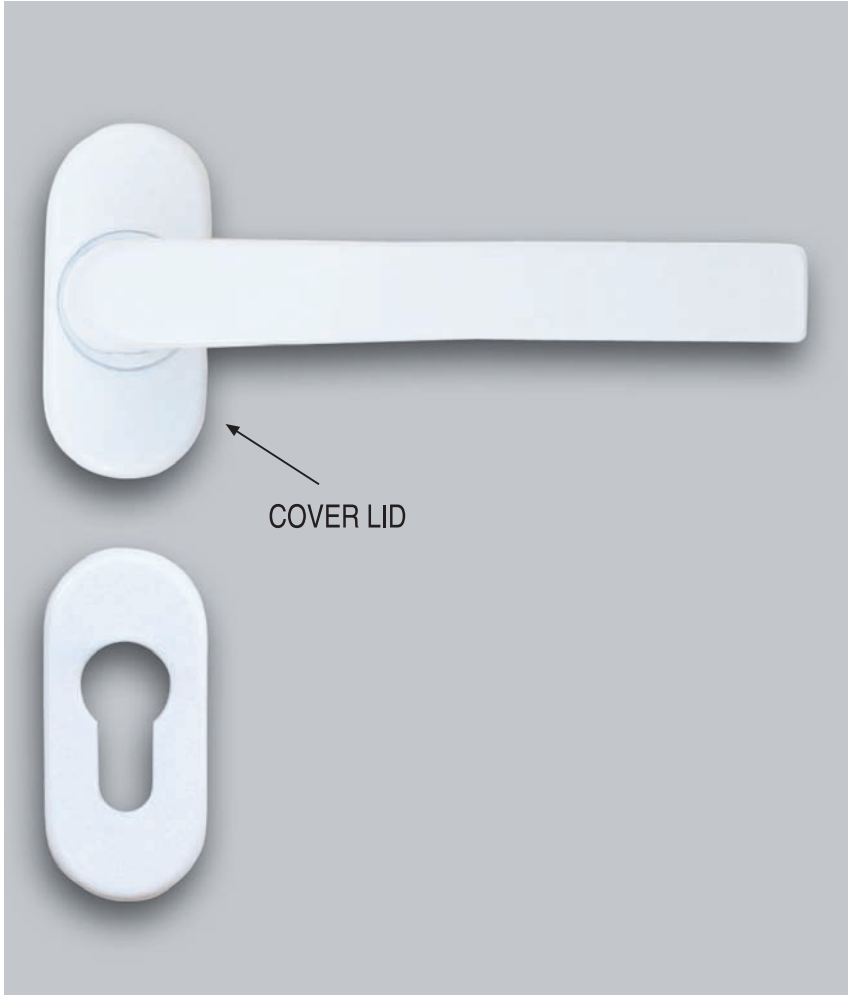
# İmat









ALUMINIUM SYSTEMS

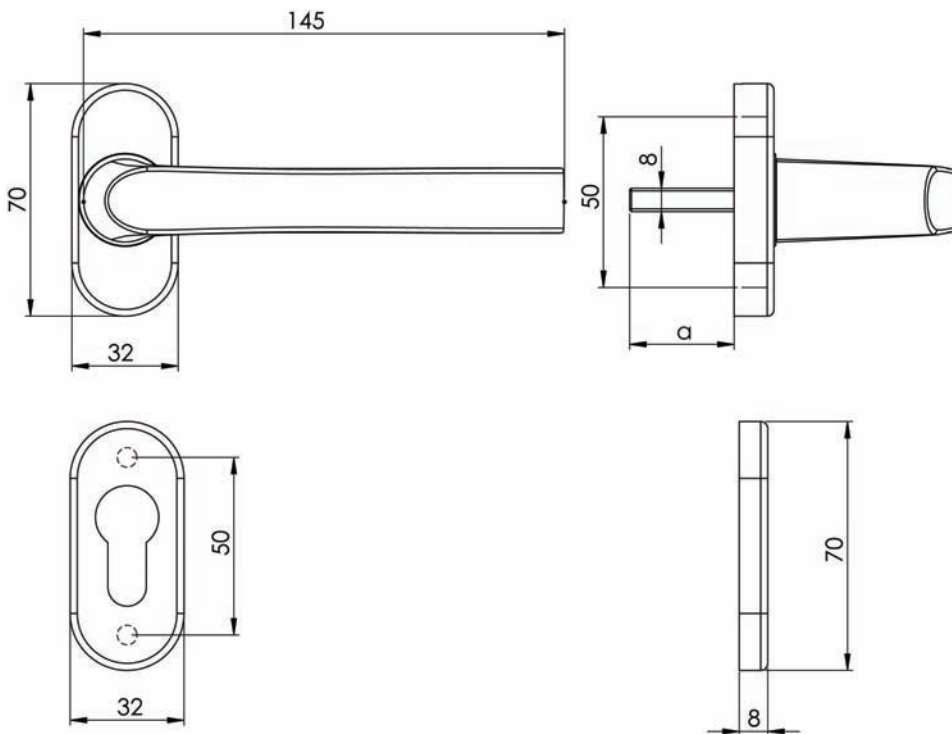
Quality is in your hand

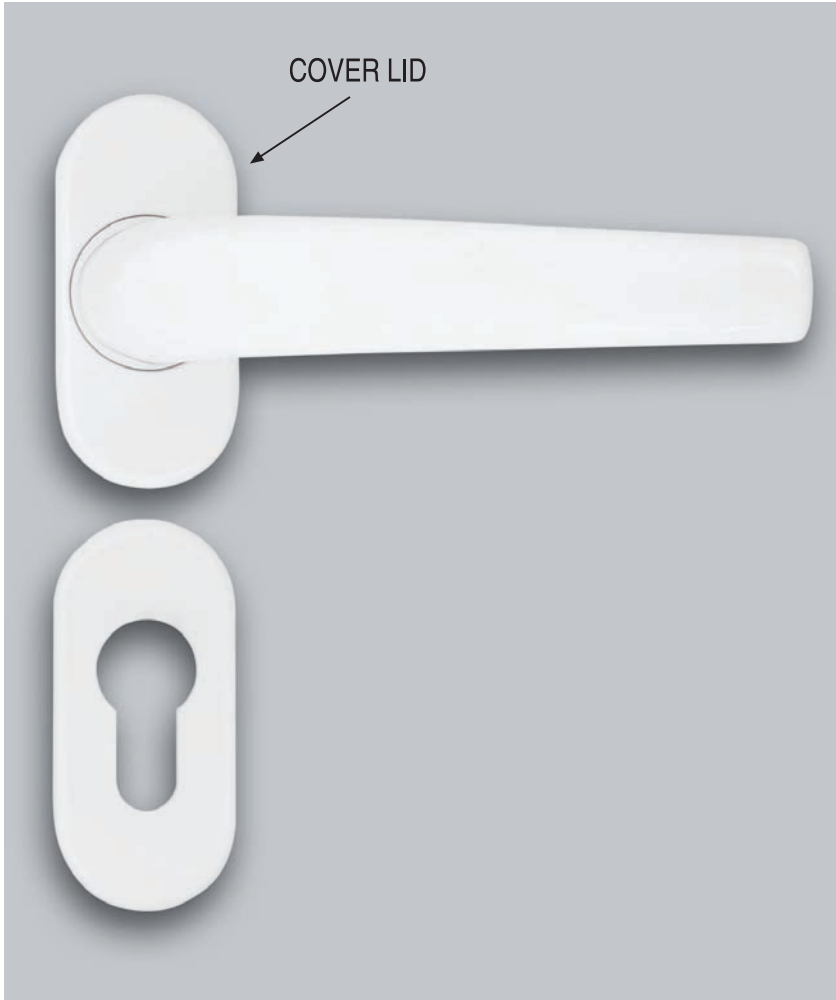
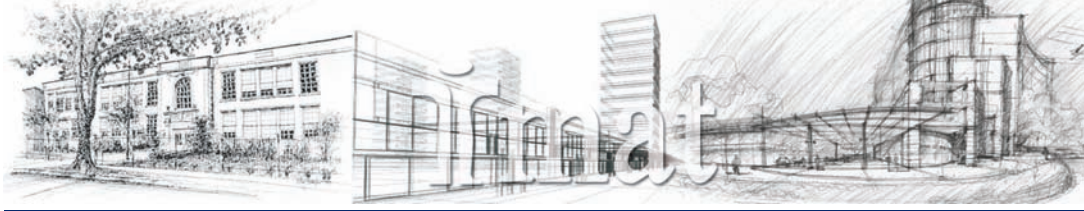
## BATI DOOR HANDLES



- Ral 9016 
- Ral 8003 
- Ral 8019 
- Ral 8022 
- MH 948 
- Unpainted 

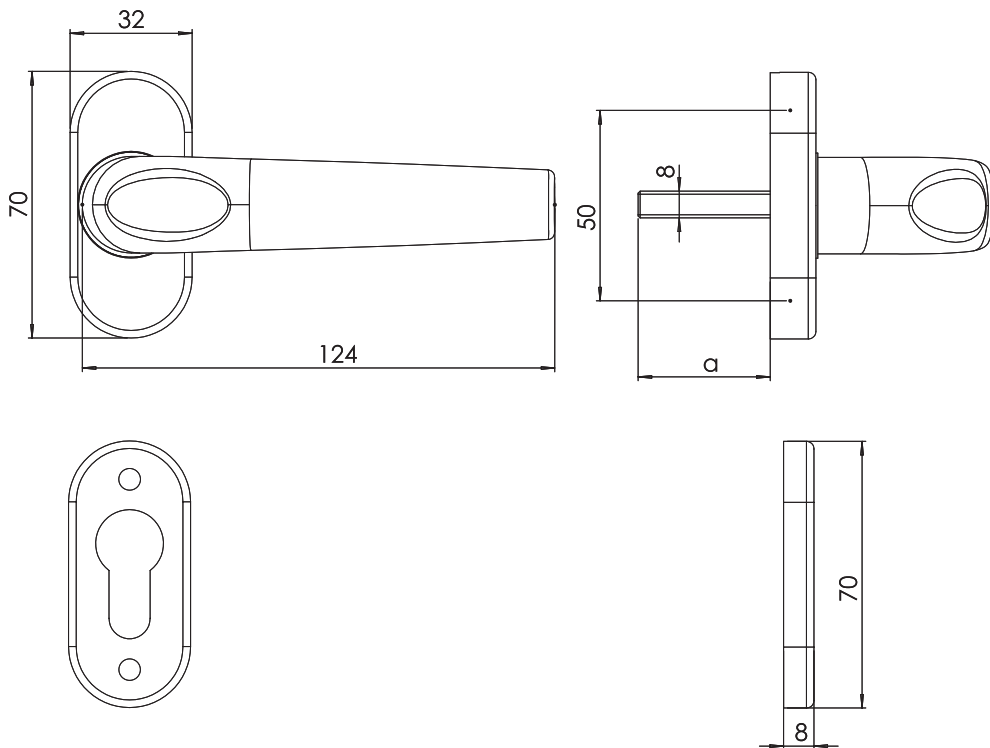
KB.BT.SL.ORZ.3200.YY.819820.00.9016





- Ral 9016
- Ral 8003
- Ral 8019
- Ral 8022
- MH 948
- Unpainted

KB.FL.SL.ORZ.3200.YY.819820.00.9016

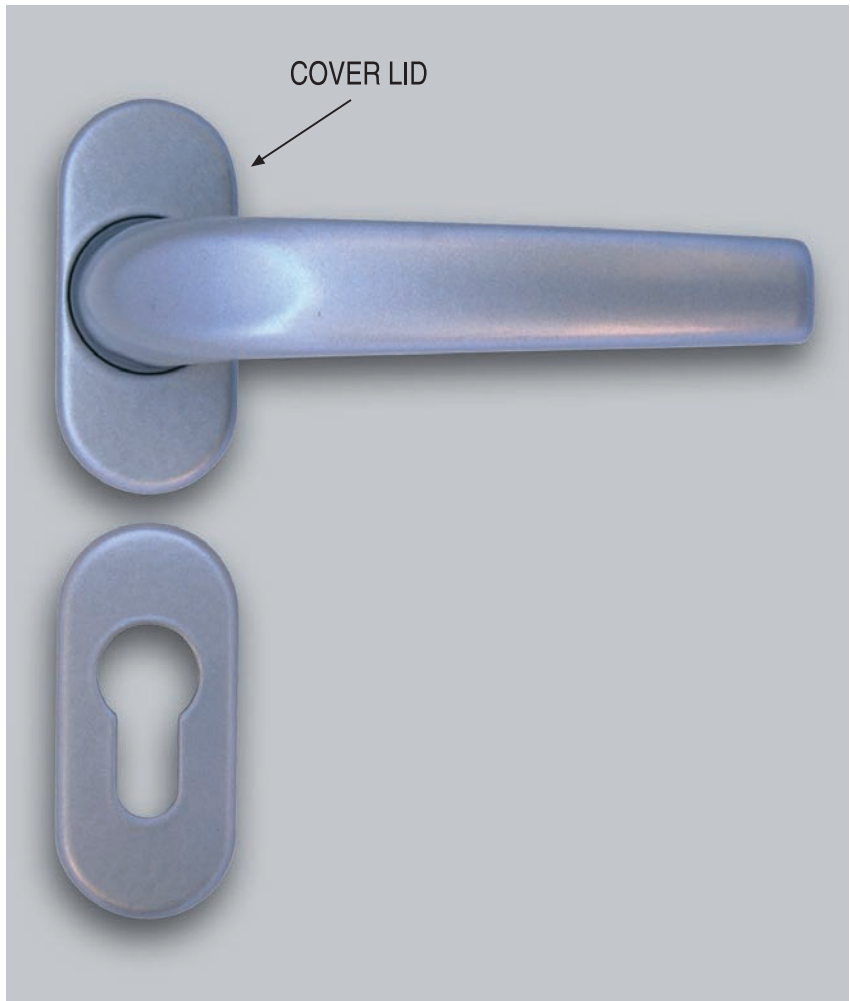




ALUMINIUM SYSTEMS

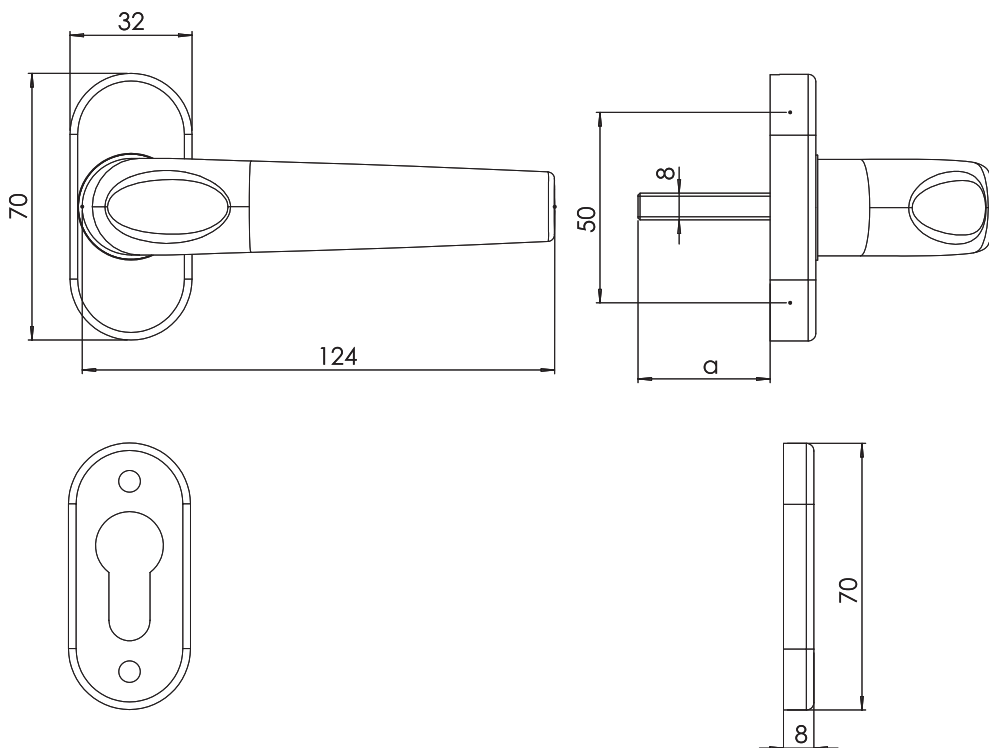
Quality is in your hand

**FALCON DOOR HANDLES**



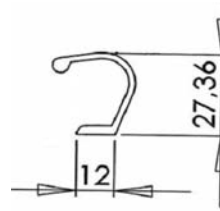
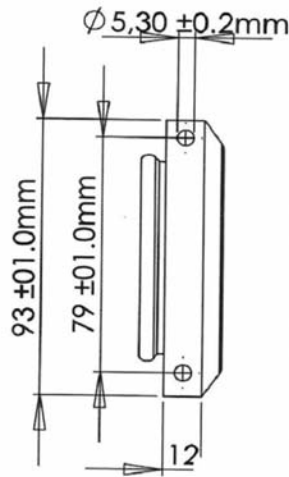
- EF 01  Silver
- EF 02  Champagne
- EF 03  Gold
- EF 04  Bronze
- EF 06  Matt Silver
- EF 09  Inox Look

KE.FL.SL.ORZ.3200.YY.819820.00.EF09





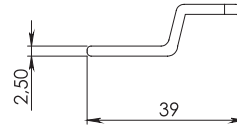
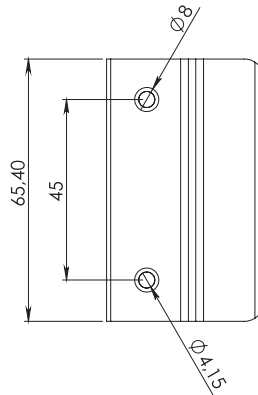
### ANODIZED C TYPE GATE HANDLES



- EF 01  Silver
- EF 02  Champagne
- EF 03  Gold
- EF 04  Bronze
- EF 06  Matt Silver
- EF 09  Inox Look

CKE. TUT. 000.000000000.EF09

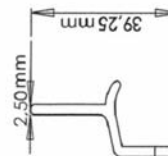
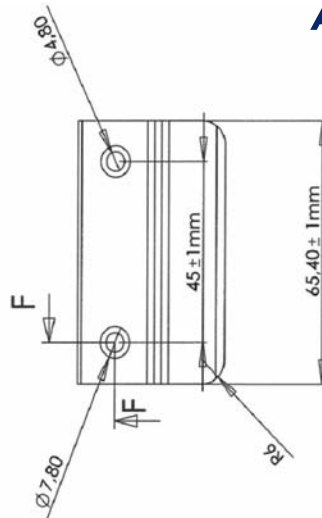
### ANODIZED L TYPE GATE HANDLES



- EF 01  Silver
- EF 02  Champagne
- EF 03  Gold
- EF 04  Bronze
- EF 06  Matt Silver
- EF 09  Inox Look

LE. TUT. 00.000.000000.000.EF01

### ANODIZED H TYPE GATE HANDLES



- EF 01  Silver
- EF 02  Champagne
- EF 03  Gold
- EF 04  Bronze
- EF 06  Matt Silver
- EF 09  Inox Look







HE. TUT. 00.000.000000.000.EF04

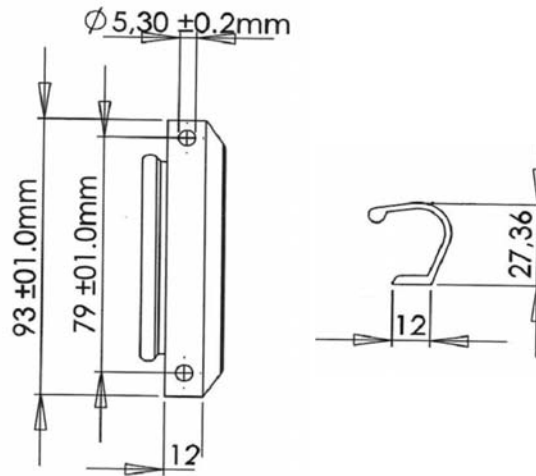










## ALUMINIUM SYSTEMS C TYPE GATE HANDLES

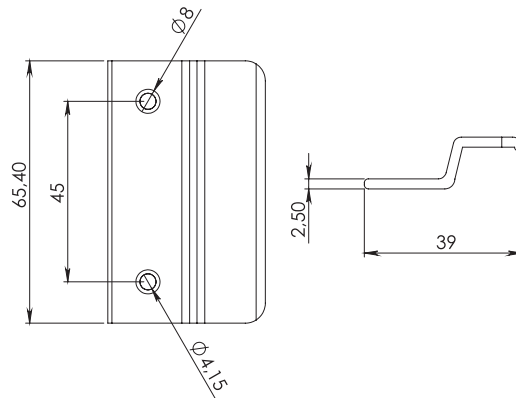
Quality is in your hand

- Ral 9016 
- Ral 8003 
- Ral 8019 
- Ral 8022 
- MH 948 
- Unpainted 




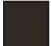




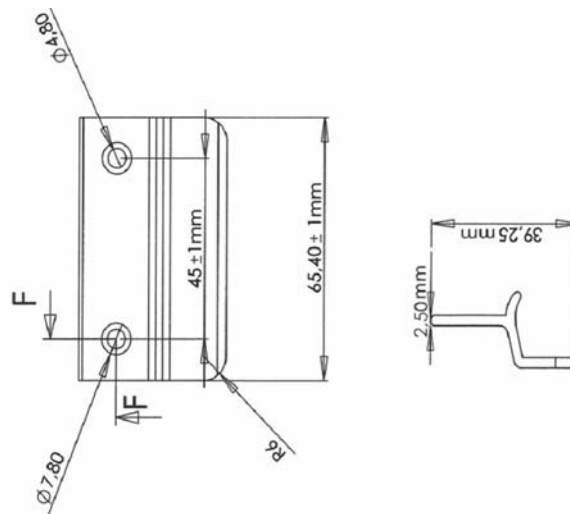
## L TYPE GATE HANDLES

- Ral 9016 
- Ral 8003 
- Ral 8019 
- Ral 8022 
- MH 948 
- Unpainted 



## H TYPE GATE HANDLES

- Ral 9016 
- Ral 8003 
- Ral 8019 
- Ral 8022 
- MH 948 
- Unpainted 





Sincan Organize Sanayi Bölgesi Akhun Caddesi No: 8 Sincan - Ankara / TURKEY  
Tel: +90 312 267 12 28 - Fax: +90 312 267 12 30 • E-mail: info@imataks.com.tr • [www.imataks.com.tr](http://www.imataks.com.tr)