

*meeting point*



elephant

PLANET

TIGER



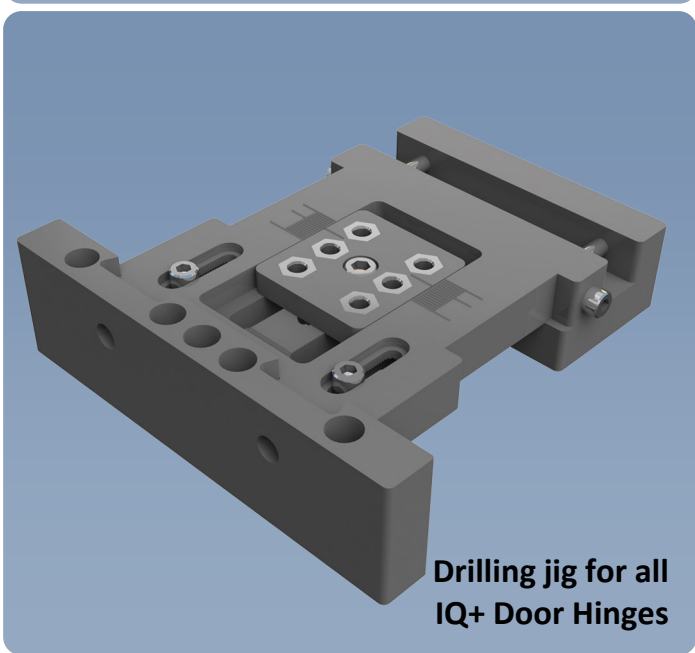
INTER-PLAST®



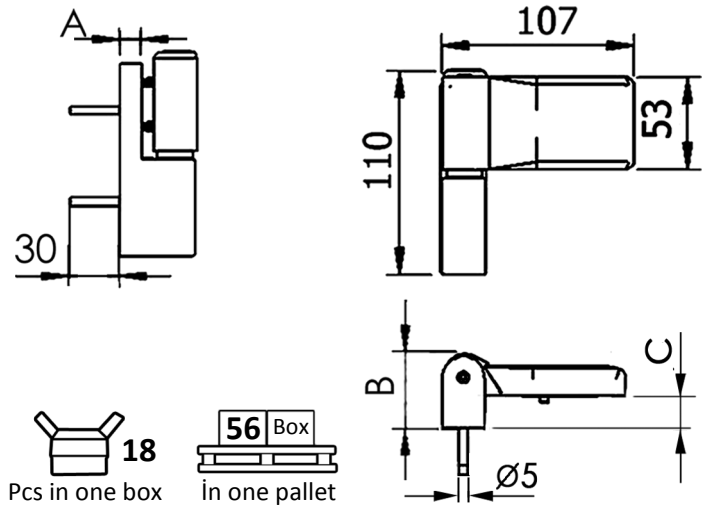
Overlap Height  
16-19 mm



Overlap Height  
19-22 mm



Drilling jig for all  
IQ+ Door Hinges



what could be more...

Universal 3D Adjustable  
Door Hinge

Description	IP Code	A	B	C	gr.	RAL Color
IQ+ 16-19 mm	750500	13	42	17,5±1,5	815	9016
IQ+ 19-22 mm	750600	16	45	20,5±1,5	845	
IQ+ 22-25 mm	750850	19	48	23,5±1,5	875	

### Drilling Dimension

### TECHNICAL DETAILS

#### Quality Information

- Inox pins and shaft
- 10 Years UV Resistant Polyester Powder Coating
- Improved corrosion resistance of zinc coating

#### Load Capacity

- Depending of profile section design  
Max.160 Kg

#### Adjustable

- Horizontal Adjustable : -5 mm : +10mm
- Vertical Adjustable Variable : +3 mm
- Adjust. Sealing Pressure : + / - 1,5 mm

#### Screwing

- Assembly can be made directly to frame and door in one operation

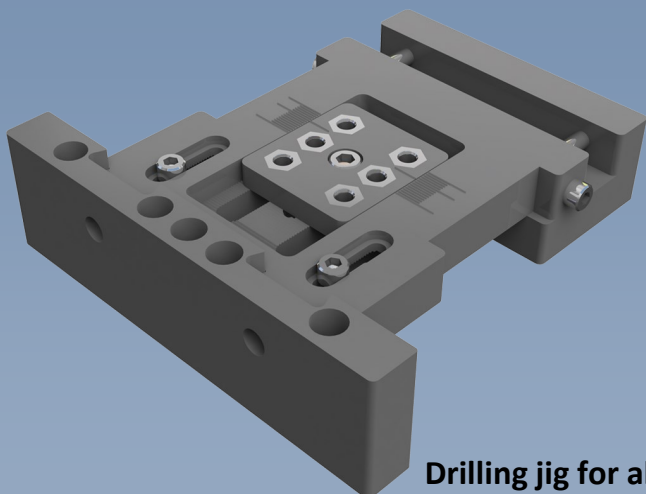
# "ELEPHANT PROFESSIONAL" 3D ADJUSTABLE DOOR HINGE



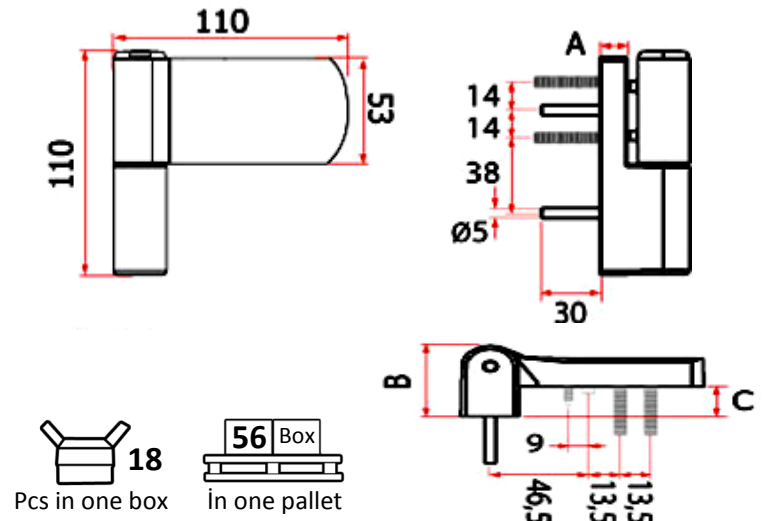
Overlap Height  
16-19 mm



Overlap Height  
19-22 mm



Drilling jig for all  
Elephant Professional Door Hinges



what could be more...

3D Adjustable  
Door Hinge

Description	IP Code	A	B	C	gr.	RAL Color
16-19 mm	750500	13	42	17,5±1,5	815	9016
19-22 mm	750600	16	45	20,5±1,5	845	
22-25 mm	750850	19	48	23,5±1,5	875	

**TECHNICAL DETAILS**

**Quality Information**

- Inox pins and shaft
- 10 Years UV Resistant Polyester Powder Coating
- Improved corrosion resistance of zinc coating

**Load Capacity**

- Depending of profile section design  
Max.160 Kg

**Adjustable**

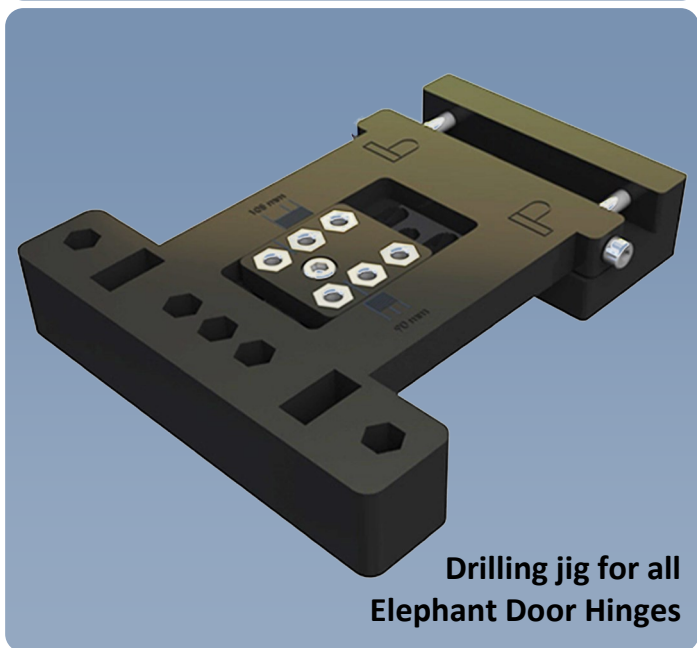
- Horizontal Adjustable : -5 mm : +10mm
- Vertical Adjustable Variable : +3 mm
- Adjust. Sealing Pressure : + / - 1,5 mm

**Screwing**

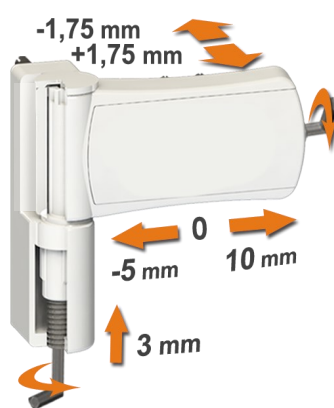
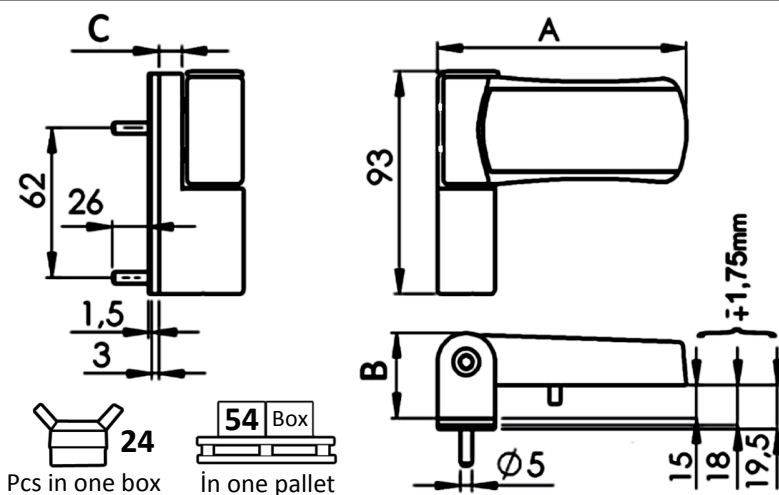
- Assembly can be made directly to frame and door in one operation

**Drilling Dimension**

# "ELEPHANT" 3D ADJUSTABLE DOOR HINGE



Drilling jig for all Elephant Door Hinges

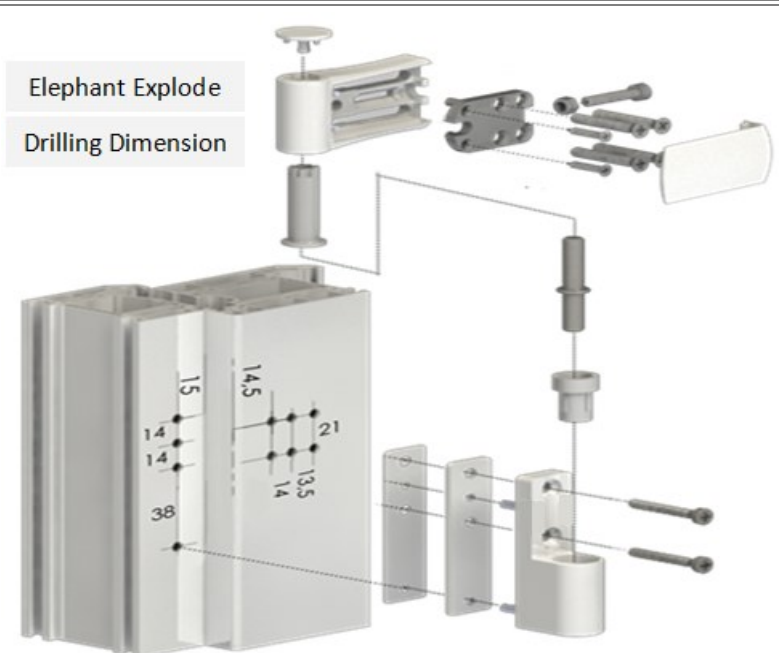


## 3D Adjustable Door Hinges with inox pins

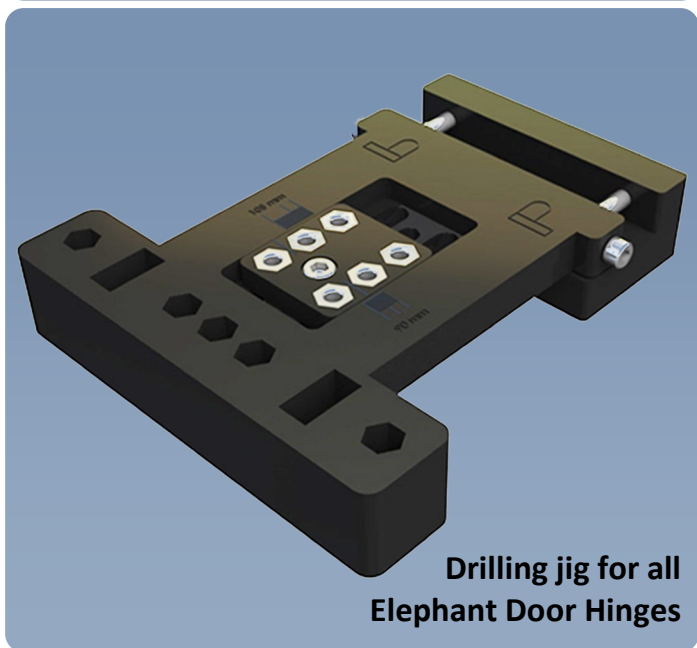
### Screw Detail

Elephant	6 Qua. Ø6 x 40	2 Qua. Ø4 x 25
Elephant Junior	6 Qua. Ø6 x 40	
Elephant Jumbo	6 Qua. Ø6 x 40	2 Qua. Ø4 x 25

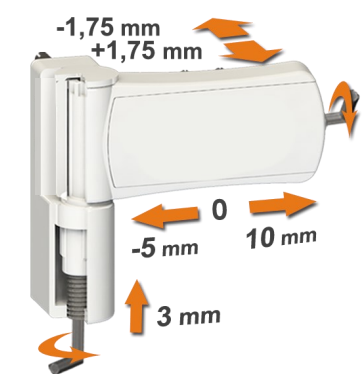
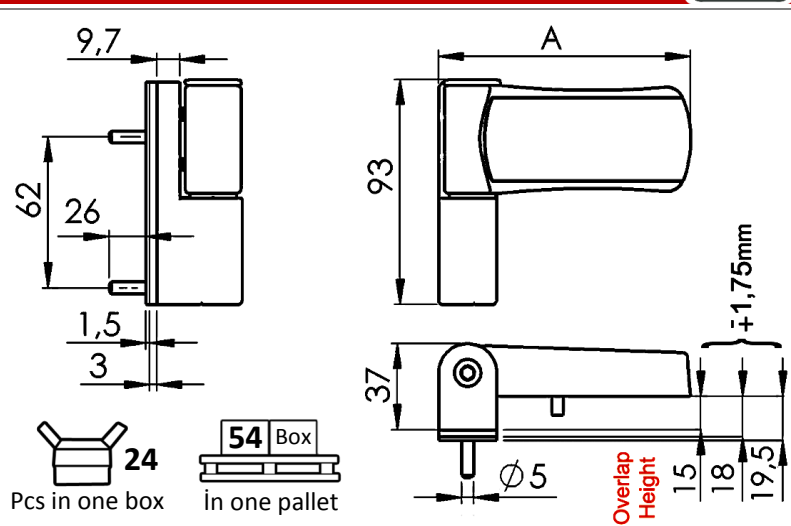
Description	IP Code	A	B	C	Screw Qua.	gr.	RAL Color
Elephant	750000	105	37	9,7	8	625	9016
Elephant Junior	760020	90	37	9,7	6	555	
Elephant Jumbo	750900	105	43	16,7	8	670	



# "TIGER" 3D ADJUSTABLE DOOR HINGE



**Drilling jig for all Elephant Door Hinges**

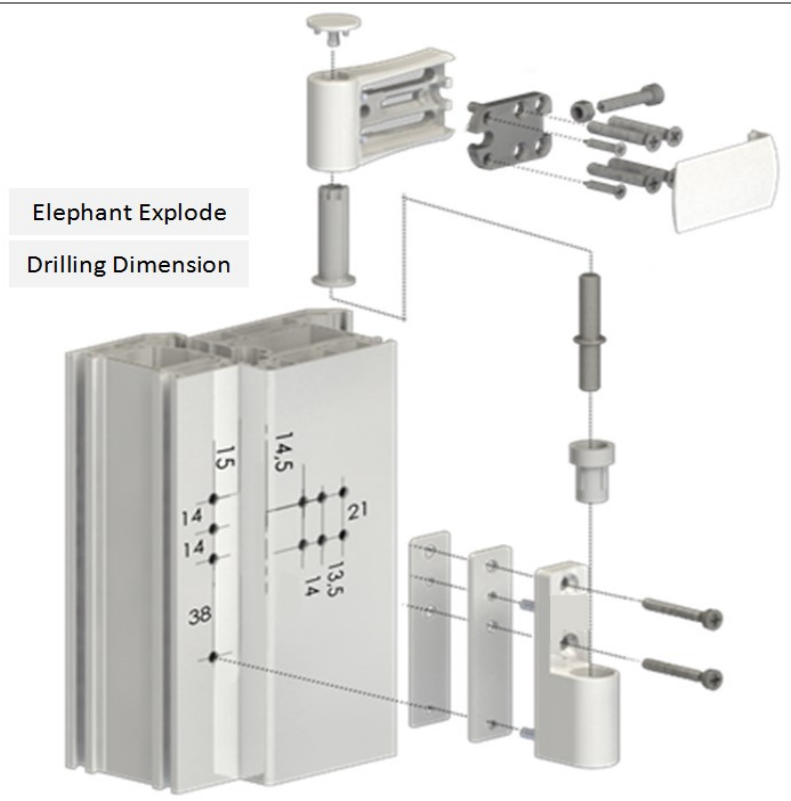


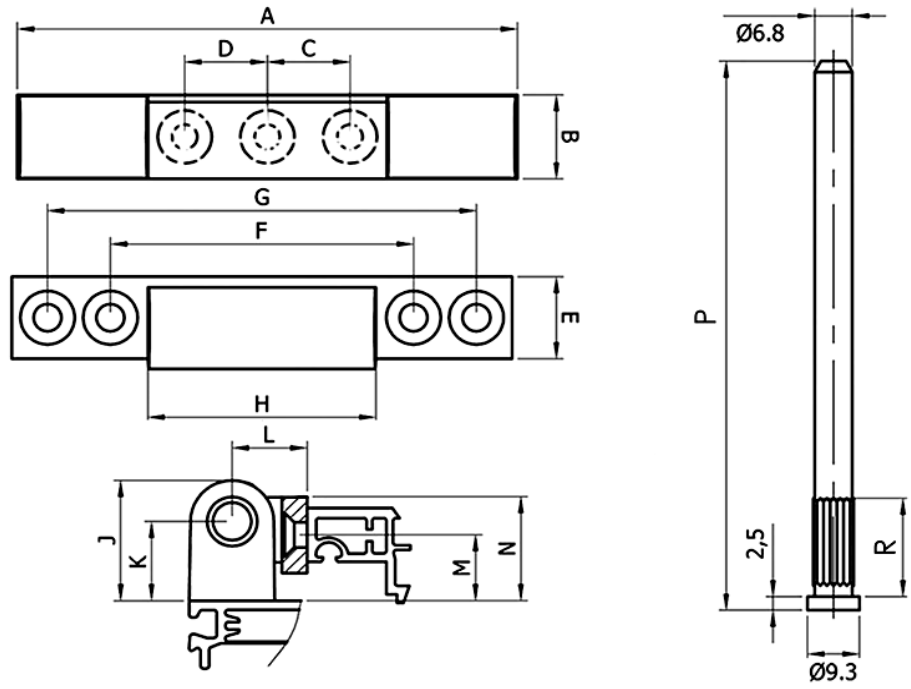
### 3D Adjustable Door Hinges with galvanized steel pins

#### Screw Detail

Tiger	6 Qua. Ø6 x 40	2 Qua. +Ø3,9 x 25
Tiger Junior	6 Qua. Ø6 x 40	

Description	IP Code	A	Screw Qua.	gr.	RAL Color
Tiger	752000	105	8	625	9016
Tiger Junior	753000	90	6	555	



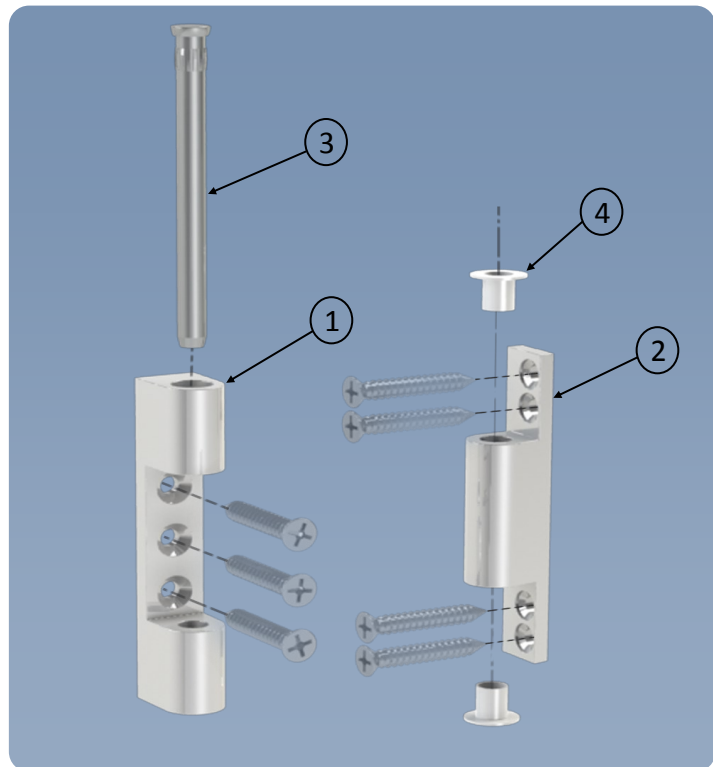


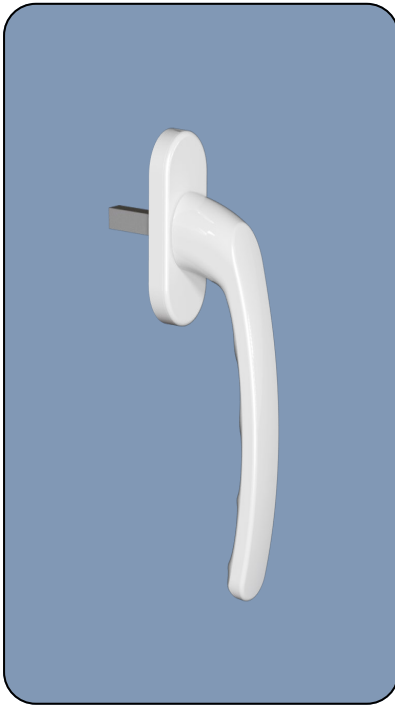
Code	A	B	C	D	E	F	G	H	J	K	L	M	N	P	R
500340	75	14	21	21	13	64		51	20	13	12	11	16	73	8
500140	75	14	21	21	13	63		51	20	12	13	11	16	73	8
500080	75	14	21	21	14	64		51	20	13	12	11	16	73	8
500580	90	18	15	15	15	58	78	41	22	14	13	14	20	88	18
500570	90	15	15	15	16	57	78	41	21	15	22	13	18	88	18
500575	90	15	15	15	13	57	78	41	21	15	16	15	20	88	18
500880	90	14	15	15	13	78		41	21	14	12	11	18	88	18
500700	100	14	18	18	14	63	84	49	20	13	13	14	20	98	18
500680	100	14	18	18	14	63	84	49	20	13	12	14	20	98	18

**ZINC ALLOY**  
75 / 90 / 100 mm

100  
pcs in one box

	Description	Material	Pcs
1	Frame part	Zinc Alloy	1
2	Sash part	Zinc Alloy	1
3	Pin	Steel	1
4	Plastic Cap	PA 6.6	2

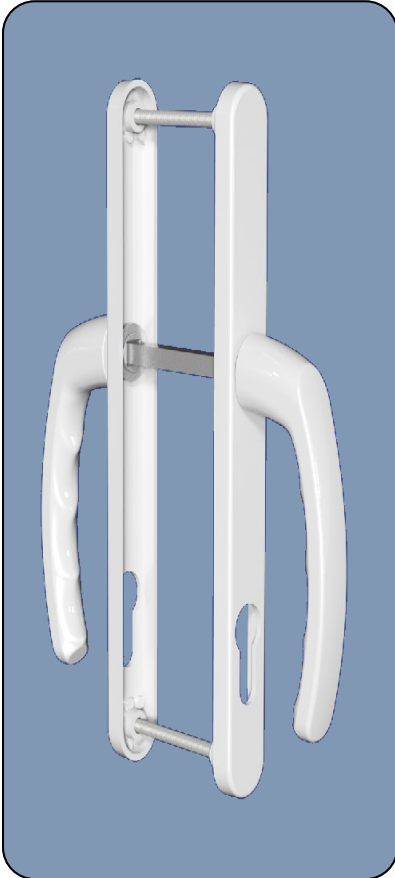
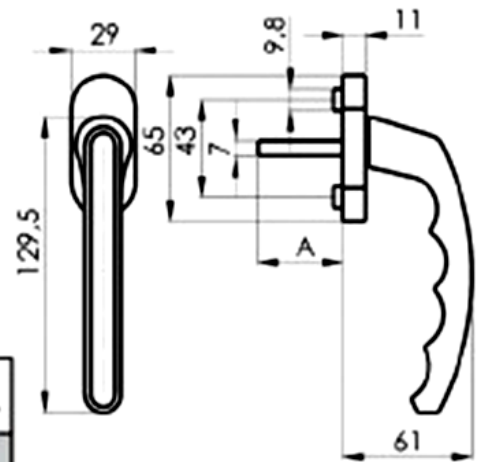




## ORCHID WINDOW HANDLE

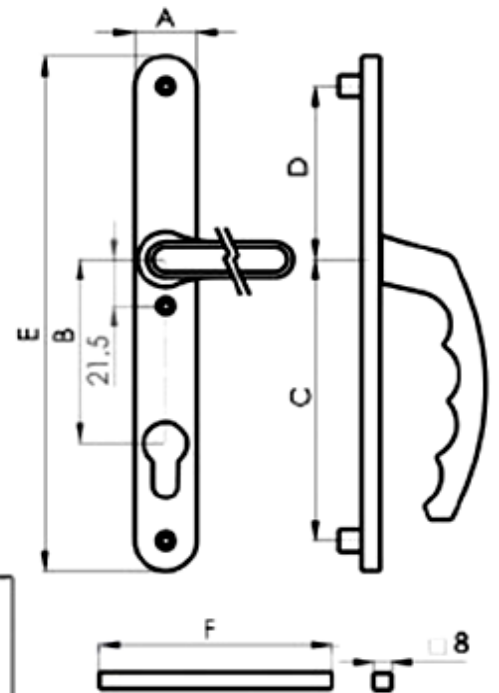
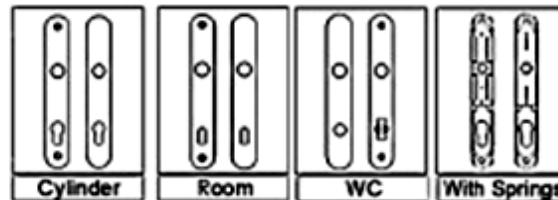
Type	gr Weight	pcs in one box	Box in one pallet
Aluminium	155	50	80
Plastic	90	100	48

Handle Type	Code	A	Screw Length	RAL Color
Aluminum Orchid	356020	35 38	40	9016
Plastic Orchid		40 45	45	



## ORCHID DOOR HANDLE

425 gr Weight	25 pcs in one box	40 Box in one pallet
---------------	-------------------	----------------------

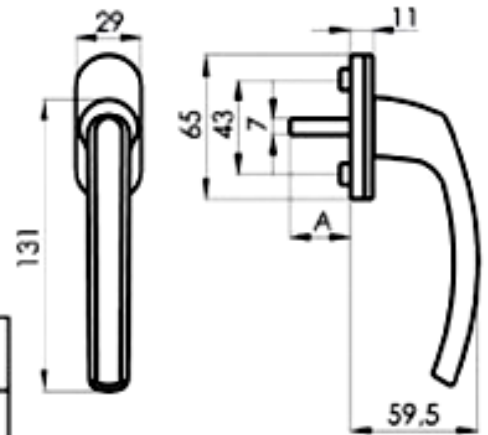


Handle Type	Code	Type	A	B	C	D	E	F	Screw Length	Screw Qty.	RAL Color
Door Handle ORCHID	350080	Cylinder	25	70 85	130	65 80	225 240	130	90	3	9016
		With Springs	28	92	138	78	247	120	77	2	
	WC	35	90	130	65	245					
	Room										



## JASMIN WINDOW HANDLE

130 gr Weight  
 50 pcs in one box  
 80 Box in one pallet

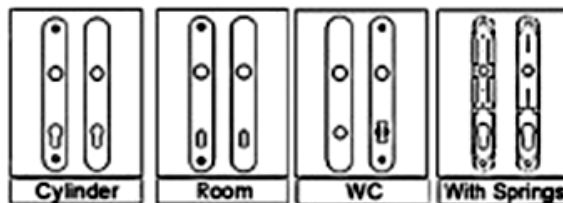
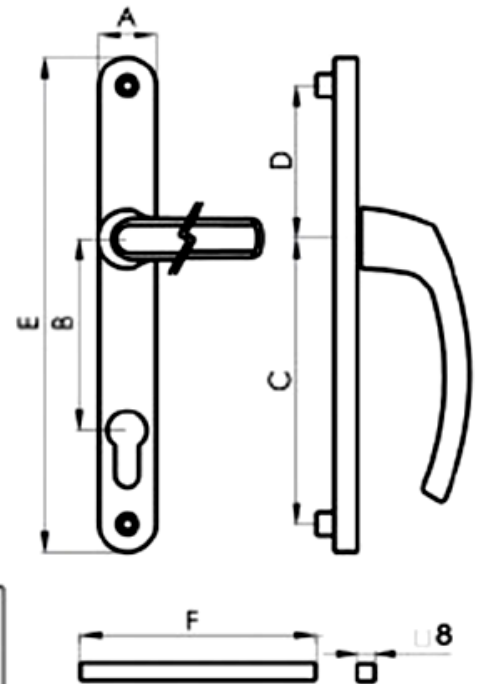


Handle Type	Code	A	Screw Length	RAL Color
Window Handle JASMIN		35	40	
		38	40	
	358040	40	45	9016
		45		



## JASMIN DOOR HANDLE

430 gr Weight  
 25 pcs in one box  
 40 Box in one pallet



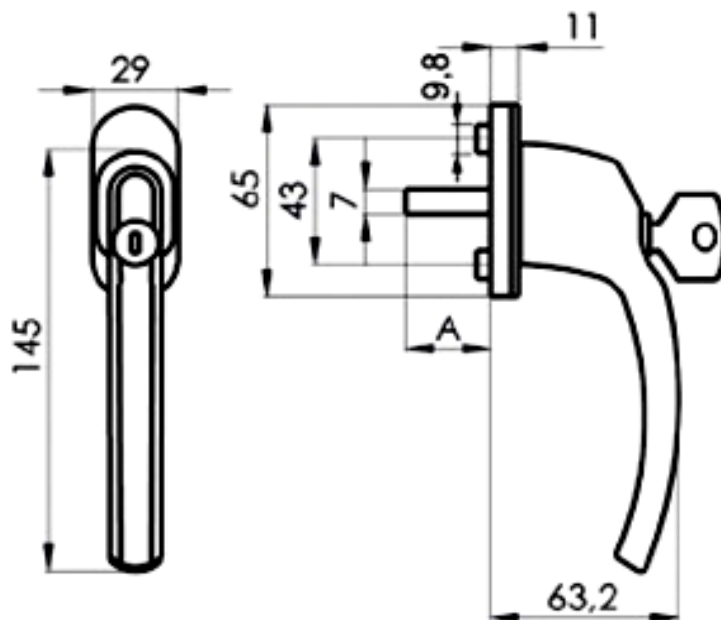
Handle Type	Code	Type	A	B	C	D	E	F	Screw Length	Screw Qty.	RAL Color
Door Handle JASMIN	367000	Cylinder		70	130	65	225	130	90	3	9016
			25	85	130	80	240				
		With Springs	28	92	138	78	247	120	77	2	
		WC	35	90	130	65	245				
		Room									



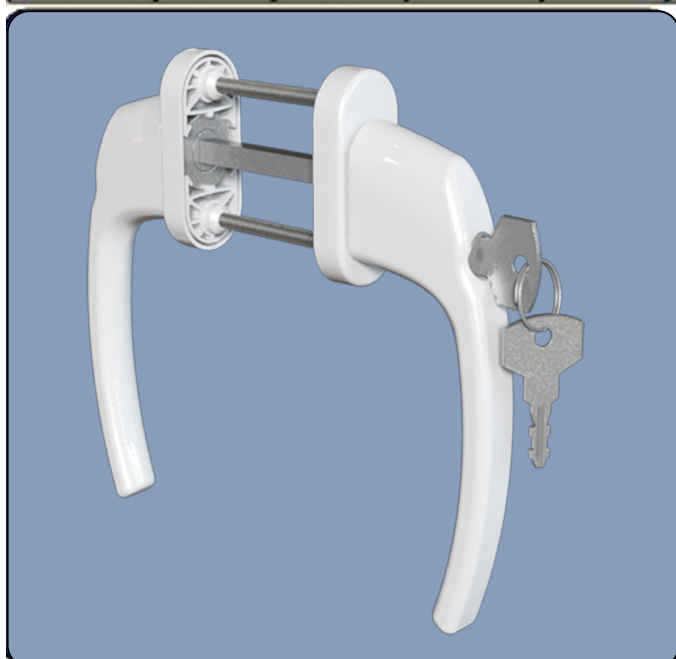


## JASMIN LOCKABLE HANDLE

204 gr Weight  
 50 pcs in one box  
 60 Box in one pallet

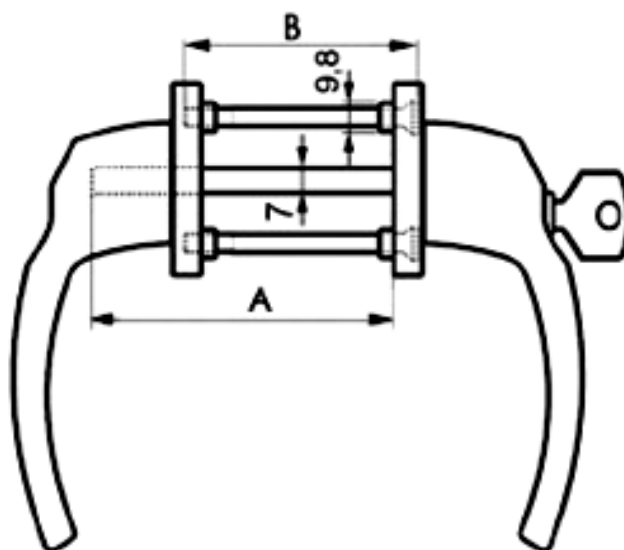


Handle Type	Code	Spindle Length (A)	Screw Length (B)	RAL Color
Lockable Window Handle Jasmin	350100	35		
		38	40	9016
		40	45	
		45		



## JASMIN WINDOW HANDLE SET TWO SIDE LOCKABLE & UNLOCKABLE HANDLE

428 gr Weight  
 35 SET pcs in one box  
 40 Box in one pallet



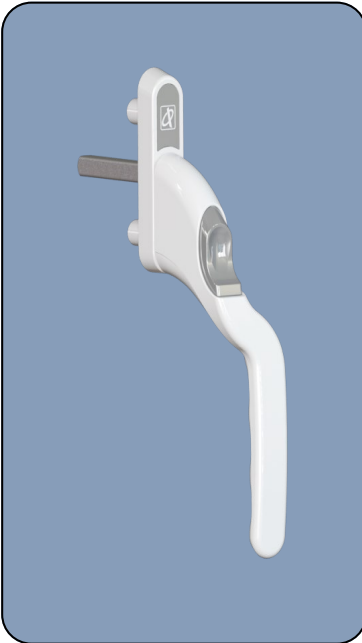
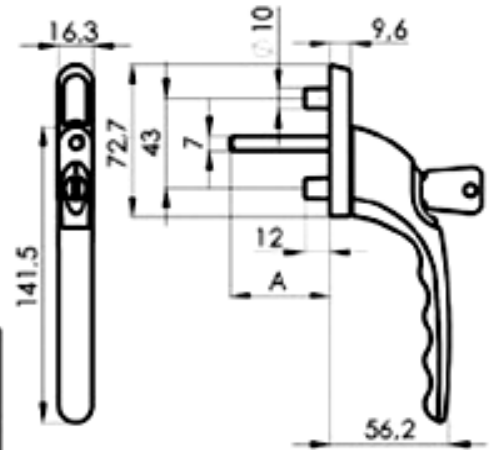
Handle Type	Code	Spindle Length (A)	Screw Length (B)	RAL Color
Two Side Lockable Door Handle Jasmin	350120	105	75	9016
		115	85	



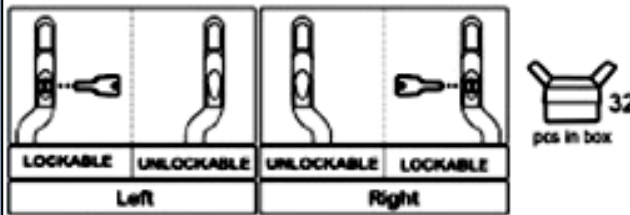
## PLANET SLIM-LINE STRAIGHT Lockable & Unlockable Handle

Type	Weight	pcs in one box
Lockable	260	40
Unlockable	235	

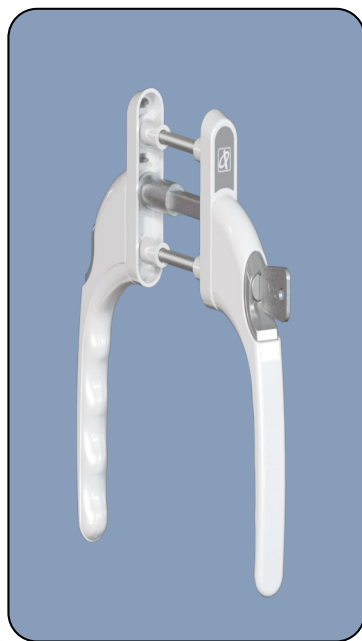
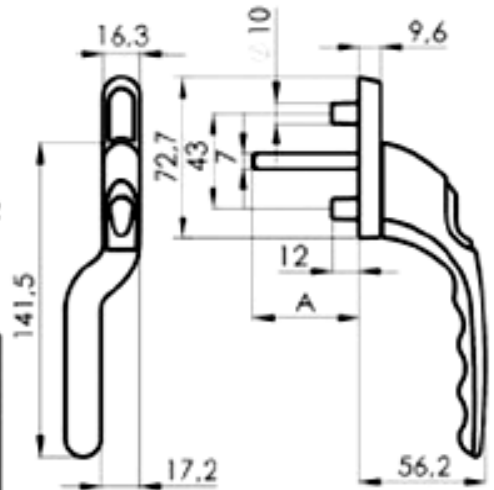
Handle Type	Code	Screw Length	Spindle Length (A)	RAL Color
Lockable	353000	40	38	9016
Unlockable		45	47	



## PLANET SLIM-LINE CRANKED Outside Lockable & Unlockable Handle



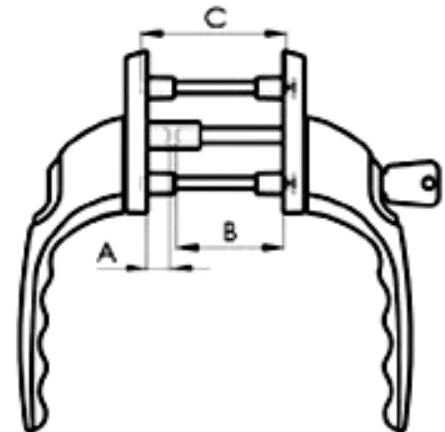
Direct.	Handle Type	Code	Screw Length	A	RAL Color
Left	Lockable		40	38	9016
	Unlockable				
Right	Lockable	353040	45	47	
	Unlockable				



## PLANET SLIM-LINE HANDLE SET INSIDE & OUTSIDE (Lockable and Unlockable)

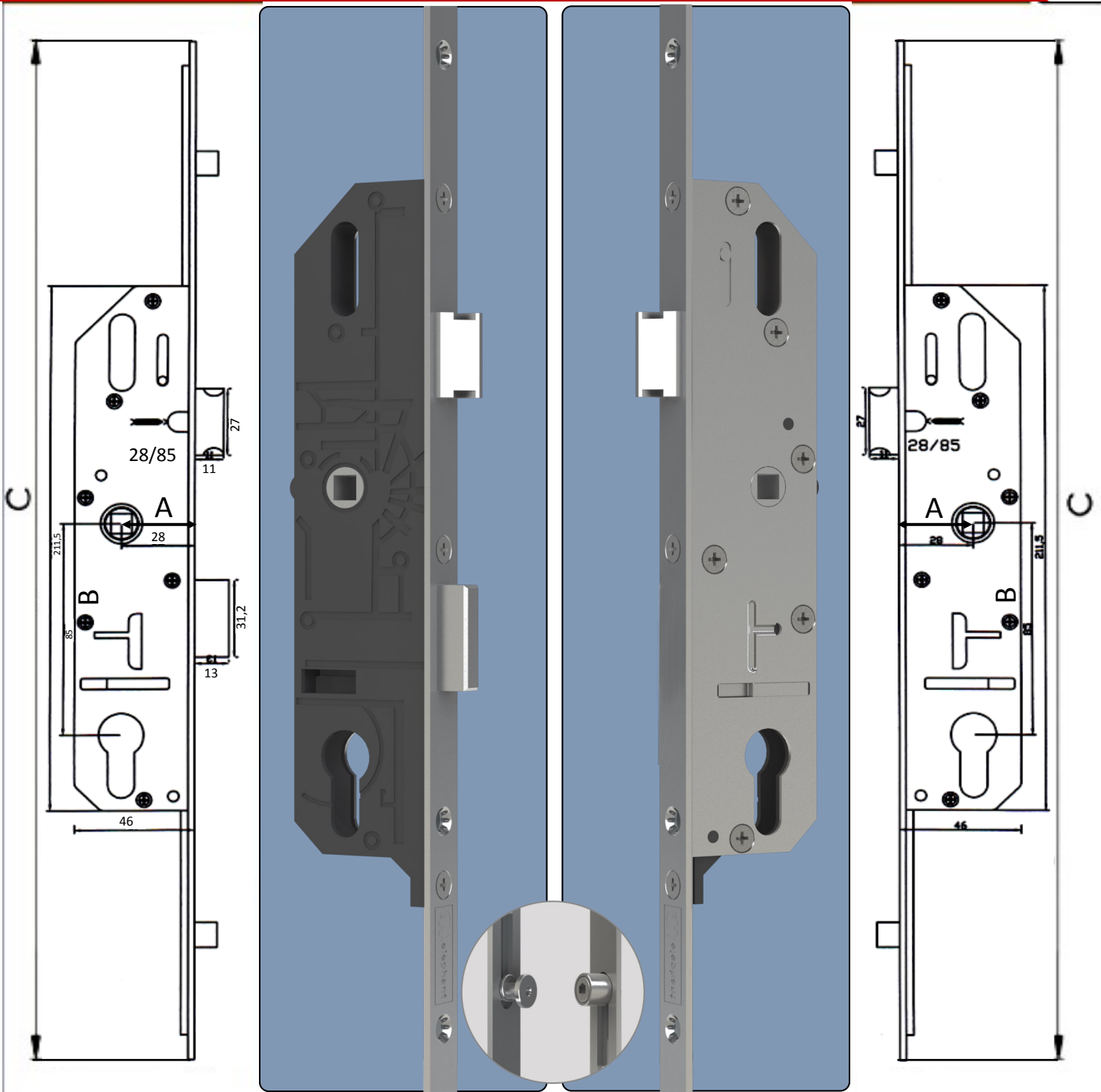
Type	Weight	Straight & Cranked
Lockable	500	20 & 16 Set
Unlockable		

Handle Type	Code	Spindle Length (A)	Spindle Length (B)	Screw Length (C)	RAL Color
Outside	353060		47	65	9016
Inside		10	58	75	



# 'ELEPHANT' HANDLE OPERATED MULTI-POINT DOOR LOCK

With PC Cylinder



**ELEPHANT**  
Security Door Espagnolette  
(With 4 Mushroom Head Locking Points)



Lock Type	Code	A	B	C
Elephant Security Lockable Espagnolette	247020	25	85 92	new
		35		1600
		28	85	1800
		25		2000

**ELEPHANT**  
Door Espagnolette  
(With 4 Locking Pin Points)



Lock Type	Code	A	B	C
Elephant Lockable Espagnolette	245400	25	85 92	new
		35		1600
		28	85	1800
		25		2000

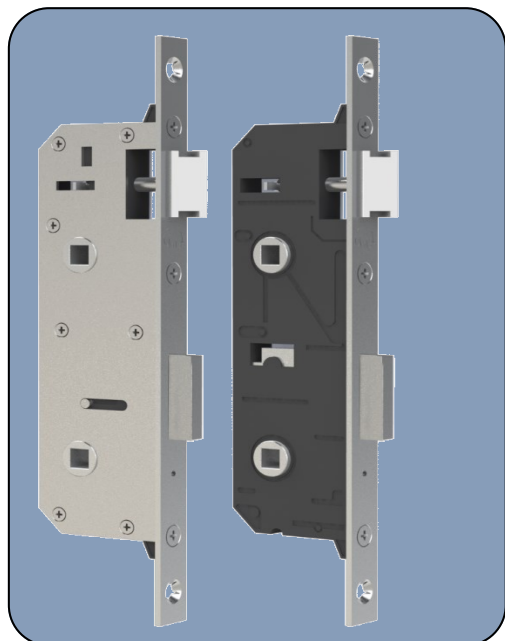
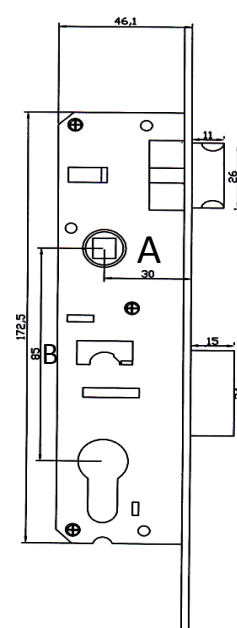
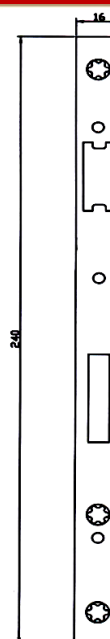


## ELEPHANT PC Door Lock

With Dead Bolt & Reversible Latch  
16 mm Front Plate



Lock Type	Code	A	B	Weight
With Cylinder Lockable Steel		25		
	421605	30	85	446
		35		
Plastic Housing ECO		28		
	421700	35	85	350

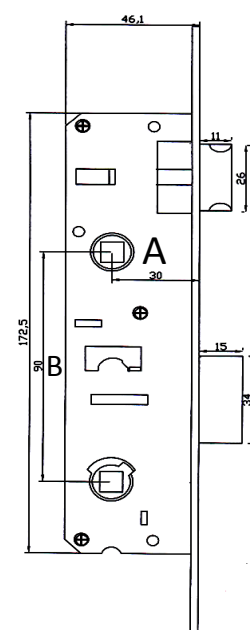
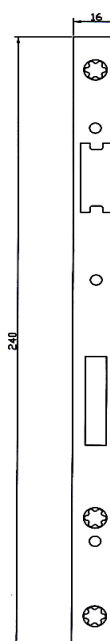


## ELEPHANT WC Door Lock

With Dead Bolt & Reversible Latch  
16mm Front Plate



Lock Type	Code	A	B	Weight
WC Lockable Steel		25		
	421660	30	90	397
		35		
Plastic Housing ECO		28		
	421710	35	90	365

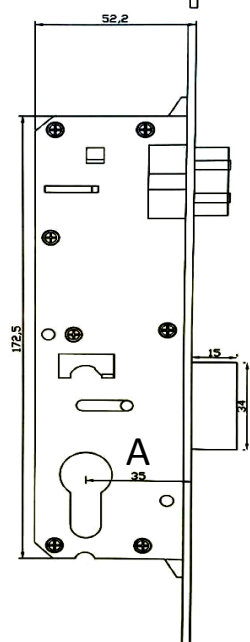
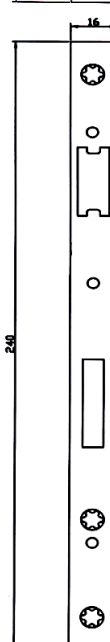


## ELEPHANT PC Door Lock

With Roller Latch  
16 mm Front Plate



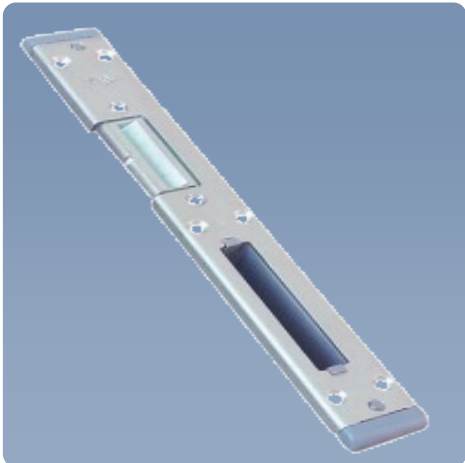
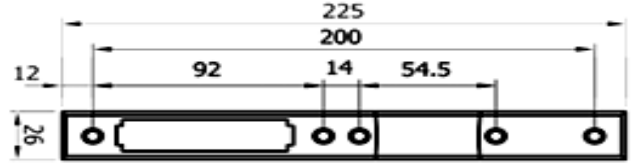
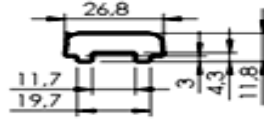
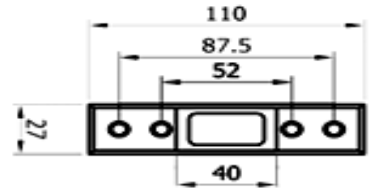
Lock Type	Code	A	Weight
PC Door Lock Roller Latch Steel		25	
	421810	30	397
		35	
Plastic housing ECO		28	
	421860	35	350





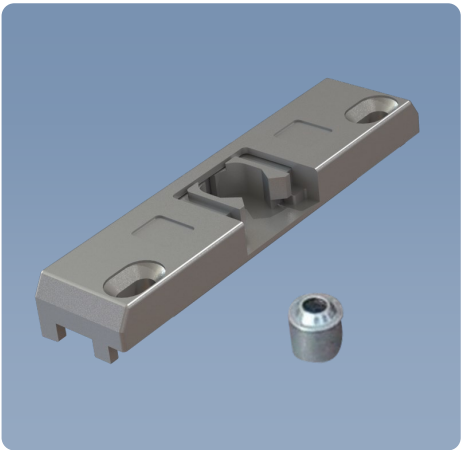
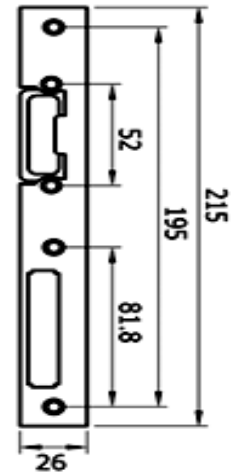
Adjustable Long & Short Latch Plate

Description	Code			
Long Plate	425240	125	100	72
Short Plate	425160	55	250	72

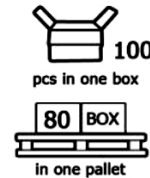


Adjustable Long Latch Plate  
(Also For use with Electric Door Opener)  
(Left & Right)

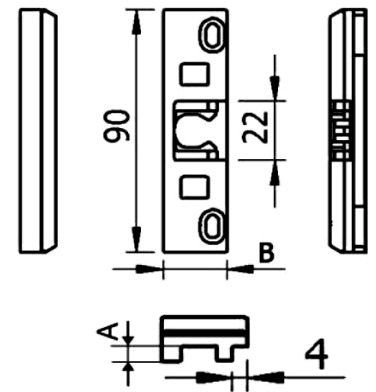
Description	Code		
Left	425260	104	100
Right			



UNIVERSAL BALCONY  
DOOR CATCH HOLDER  
9mm & 13mm Groove



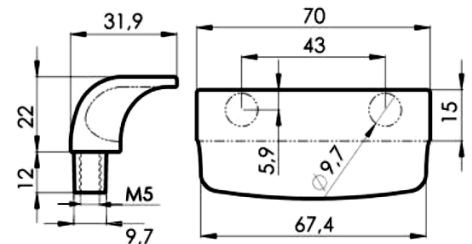
Accessories Type	Description	Code	A	B
Balcony Door Holder	13 Axis	565100	6	22
			4	
	9 Axis		2	18,6
			0	
			4	

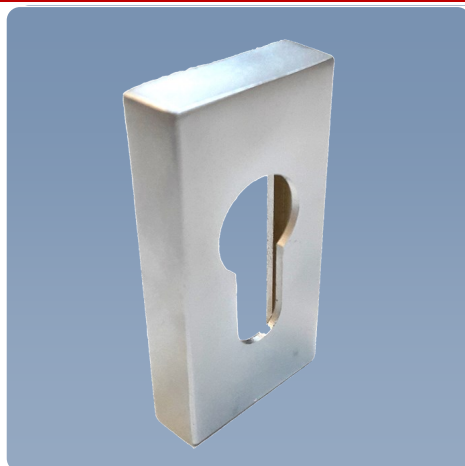


**PLANET**  
BALCONY DOOR PULL HANDLE  
Designed for 'Slim-Line'  
Balcony Handles  
Zinc Alloy Die Cast



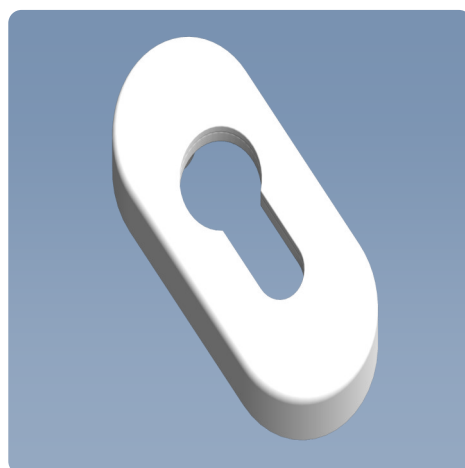
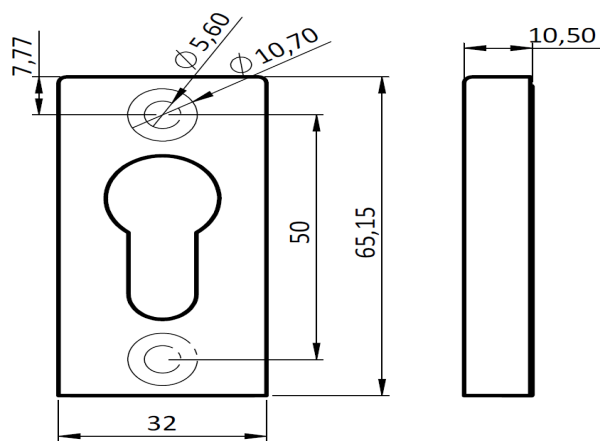
Type	Code	Ral Color
Pull Handle Planet	590050	9016





**DOOR SLIDING ROSETTE**

IP Code  
**355070**



**DOOR ROSETTE**

**OVOID**

IP Code  
**355012**

