

POST RAILINGS



STATIC STUDIO

GAMIN



Faculty of Civil Engineering



TESTED BY
RISE
SWEDEN

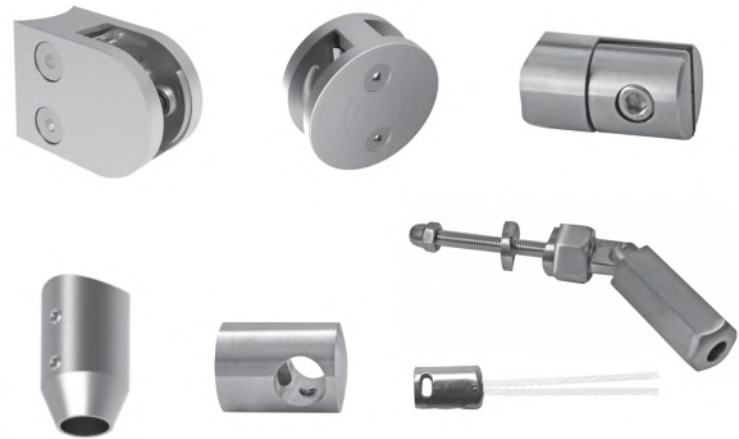


1 POST RAILINGS

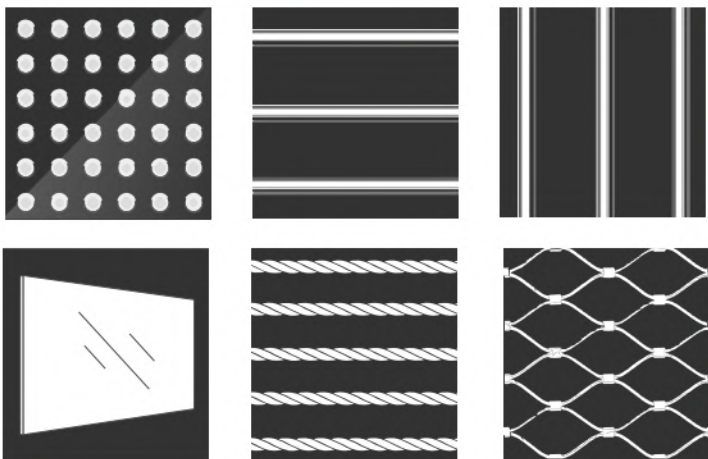
4 - 59

2 INFILL HOLDERS

GLASS
PLATE
BAR/TUBE
VERTICAL
CABLE MESH
CABLE



60 - 113



3 INFILLS, COMPONENTS

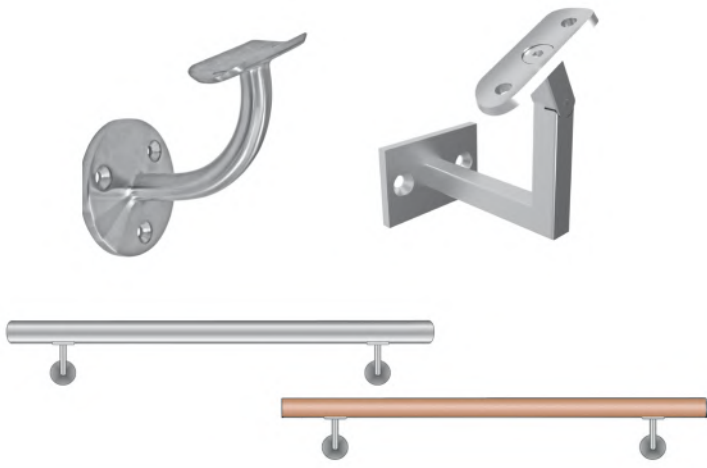
GLASS
PLATE
BAR/TUBE
VERTICAL
CABLE MESH
CABLE

114 - 127

4 HANDRAILS



128 - 149



5 HANDRAIL HOLDERS

150 - 167

6 LED HANDRAILS

168 - 175



7 STAIRS

176 - 179

8 ACCESSORIES

180 - 194



1 POST RAILINGS



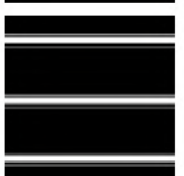
GLASS
INFILLS

118-119



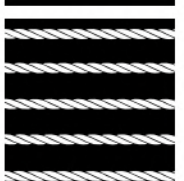
BAR
INFILLS

122-127



CABLE
INFILLS

116-117



CABLE MESH
INFILLS

116-117

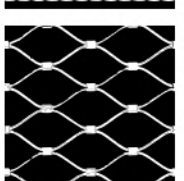
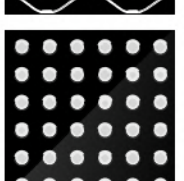


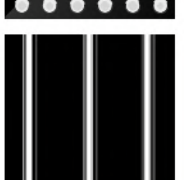
PLATE
INFILLS

120-121



VERTICAL
INFILLS

122-127





**OVAL
SYSTEM**

**GLASS
SYSTEM**



**SQUARE
SYSTEM**

**GLASS
SYSTEM**

**HORIZONTAL
SYSTEM**

**VERTICAL
SYSTEM**

ATYP

COMPONENTS



**ROUND
SYSTEM**

**GLASS
SYSTEM**


**VERTICAL
SYSTEM**




**HORIZONTAL
SYSTEM**

ATYP

COMPONENTS

SQUARE
40x40



quality	finish	mount	art.	HEIGHT (mm)	VS / BS	VR / BR	..VER	..2G	4G/4G90	HOLDER D12	HOLDER JP10	THREAD Type	ROUND handrail	SQUARE handrail	PAGE			
AISI304	satin		AJP-VR100-2GR	1000		•		•					M8*	•		10		
			AJP-VR100-2GL	1000		•		•						M8*	•		10	
			AJP-VR100-4G	1000		•				•				M8*	•		10	
			AJP-VR100-2GR-230	1000		•			•					M8*		•	11	
			AJP-VR100-2GL-230	1000		•			•					M8*		•	11	
			AJP-VR100-4G-230	1000		•				•				M8*		•	11	
			AJP-VR100-4G90-230	1000		•				•				M8*		•	11	
			AJP-VER-VR100	956				•	•									9
			AJP-VR90-4D12	900				•				4x		M5*	•			12
			AJP-VS90-4D12	1000		•						4x		M5*	•			12
AJP-VR90-4JP10	900				•					4x	M5*		•		15			
AJP-VR100-5D12	1000				•				5x		M5*	•			13			
AJP-VS100-5D12	1100		•						5x		M5*	•			13			
CORTEN	raw		CAJP-VR100-5D12	1000		•			5x		M5*	•			13			
			CAJP-VS100-5D12	1100	•				5x		M5*	•			13			
Beech	natural		WBJP-VR100-5D12	1000		•			5x		5x35	•			-			
			WBJP-VS100-5D12	1100	•				5x		5x35	•			-			
AISI304	satin		AJP-VR100-5JP10	1000		•					5x	M5*		•		14		
			AJP-VS100-5JP10	1100	•						5x	M5*		•		14		
			AJP-VER-BR100	956			•	•									9	
			AJP-BR90-4D12	900			•				4x		M5*	•			12	
			AJP-BS90-4D12	1000	•						4x		M5*	•			12	
			AJP-BR100-5D12	1000			•				5x		M5*	•			13	
			AJP-BS100-5D12	1100	•						5x		M5*	•			13	
			AJP-BR100-5JP10	1000			•					5x	M5*		•		14	
			AJP-BS100-5JP10	1100	•							5x	M5*		•		14	
						AJP-VER-BR100-FLEX	956		•	•								9


M5*, M8* - Thread holes cutted to post. The post is completely assembled in this variant


M5, M8 - Rivet nut (A-FTT-M..) crimped to post. The post is partially assembled. Infill holders are not assembled in this variant

M5*, M8* - Závitové otvory narezané do střípika. Střípik je v tomto variante kompletne zmontovaný

M5, M8 - Nitovacia matica (A-FTT-M..) nitovaná na střípik. Střípik je čiastočne zmontovaný. Držiaky výplne nie sú namontované

OVAL
81x47



quality	finish	mount	art.	HEIGHT (mm)	VS / BS	VR / BR	2G	4G	4GL90	4GR90	PAGE		
ALUMINIUM	POLISH		AL-VR107-2G	1070		•	•					8	
			AL-VR107-4G	1070		•			•				8
			AL-VR107-4GL90	1070		•				•			8
			AL-VR107-4GR90	1070		•					•		8

ROUND
D42
D50



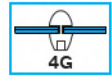
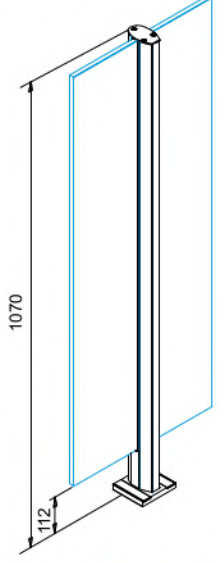
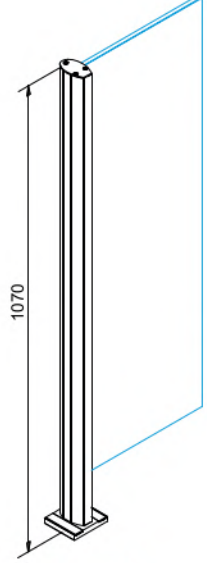
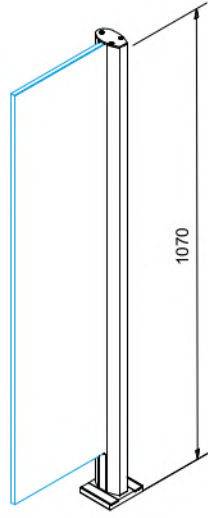
quality	finish	mount	Ø	art.	HEIGHT (mm)	VS / BS	VR / BR	..VER	..2G	4G/4G90	G	HOLDER D12	THREAD Type	ROUND handrail	PAGE			
AISI304	satin	TOP MOUNT	D42	A-VR90-2GR	900		•		•					M8	•	25		
				A-VR90-2GL	900		•		•						M8	•	25	
				A-VR90-4G	900		•				•					M8	•	25
				A-VR90-4G90	900		•				•					M8	•	25
				A-VER-VR100	952		•		•									24
				A-VR100-G <i>new</i>	1000		•							•		M8	•	24
				A-VR100-2GR	1000		•				•					M8	•	26
				A-VS100-2GR	1100	•					•					M8	•	26
				A-VR100-2GL	1000		•				•					M8	•	26
				A-VS100-2GL	1100	•					•					M8	•	26
				A-VR100-4G <i>Top</i>	1000		•						•			M8	•	26
	A-VR100-4G90	1000		•						•			M8	•	26			
	A-VS100-4G	1100	•							•			M8	•	26			
	A-VR110-2GR	1100		•				•					M8	•	29			
	A-VR110-2GL	1100		•				•					M8	•	29			
	A-VR110-4G	1100		•						•			M8	•	29			
	A-VR110-4G90	1100		•						•			M8	•	29			
	A-VR90-4D12 <i>Top</i>	900		•								4x	M5	•	32			
	A-VS90-4D12 <i>Top</i>	1000	•									4x	M5	•	32			
	A-VR90-4D12-L	900		•								4x	M5*	•	32			
	A-VS90-4D12-L	1000	•									4x	M5*	•	32			
	A-VR100-5D12 <i>Top</i>	1000		•								5x	M5	•	33			
	A-VR100-5D12-B	1000		•								5x	M5	•	33			
	A-VS100-5D12 <i>Top</i>	1100	•									5x	M5	•	33			
	A-VR100-5D12-L	1000		•								5x	M5*	•	33			
	A-VS100-5D12-L	1100	•									5x	M5*	•	33			
A-VR100-5D12-PVC	884		•								5x		•	34				
Beech	natural		D50	WB-VR100-5D12	1000		•					5x	5x35	•	35			
			D50	WB-VS100-5D12	1100	•						5x	5x35	•	35			
AISI304	satin	SIDE MOUNT	D42	A-VER-BR100	1128		•	•								24		
				A-BR100-2GR	1000		•		•						M8	•	27	
				A-BS100-2GR	1100	•			•							M8	•	27
				A-BR100-2GL	1000		•		•							M8	•	27
				A-BS100-2GL	1100	•		•								M8	•	27
				A-BR100-4G	1000		•						•			M8	•	27
				A-BS100-4G	1100	•							•			M8	•	27
				A-BR100-4G90-IN	1000		•						•			M8	•	27
				A-BR100-4G90-OUT	1000		•						•			M8	•	27
				A-BR100-2GR-250P	1000		•				•					M8	•	28
				A-BR100-2GL-250P	1000		•				•					M8	•	28
	A-BR100-4G-250P	1000		•						•			M8	•	28			
	A-BR90-4D12 <i>Top</i>	900		•								4x	M5	•	32			
	A-BS90-4D12 <i>Top</i>	1000	•									4x	M5	•	32			
	A-BR90-4D12-L	900		•								4x	M5*	•	32			
	A-BS90-4D12-L	1000	•									4x	M5*	•	32			
	A-BR100-5D12 <i>Top</i>	1000		•								5x	M5	•	33			
A-BS100-5D12 <i>Top</i>	1100	•									5x	M5	•	33				
A-BR100-5D12-PVC	885		•								5x		•	34				
	satin			A-VER-BR100-FLEX	1128		•	•							24			



2G



4G



Quality	Finish	Effect	glass t	art.
ALUMINIUM	polish	black	11,52	AL-VR107-2G
				AL-VR107-4G

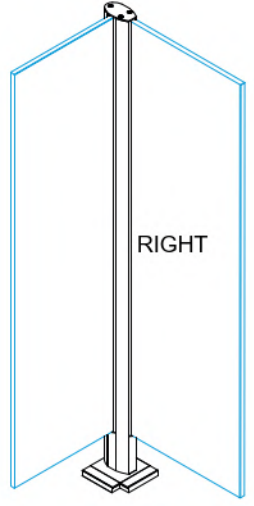
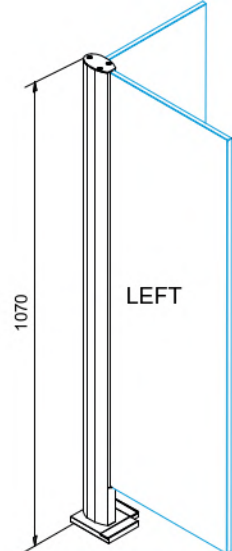
new



4GL90



4GR90

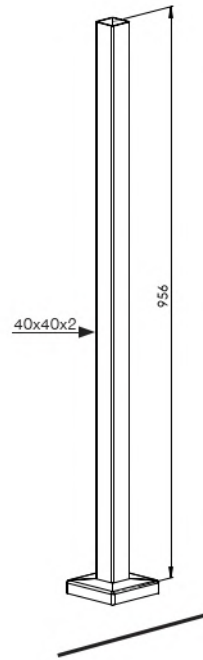


Quality	Finish	Effect	glass t	art.
ALUMINIUM	polish	black	11,52	AL-VR107-4GL90
				AL-VR107-4GR90

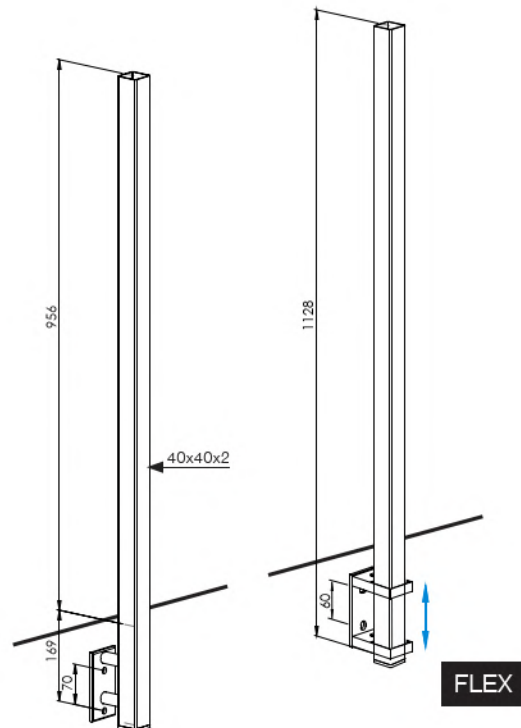
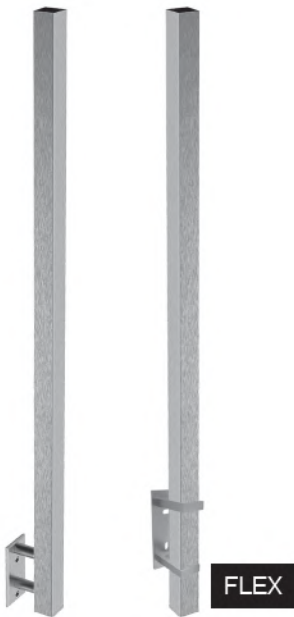
new







	1x
A/40x40x2	
	1x
A/4511-040	
	1x
A/4940-040	



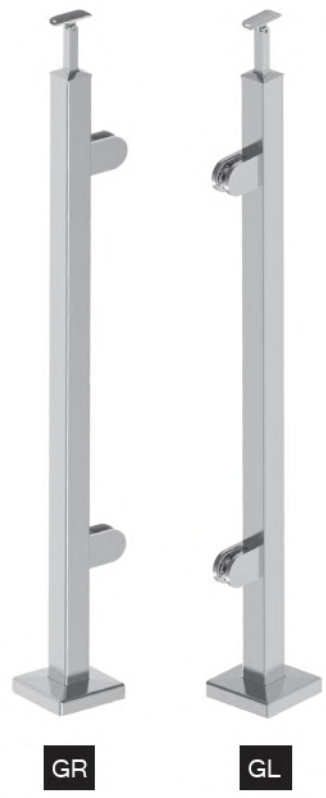
Quality	Finish	D	art.
AISI304	satın	40x40x2	AJP-VER-VR100









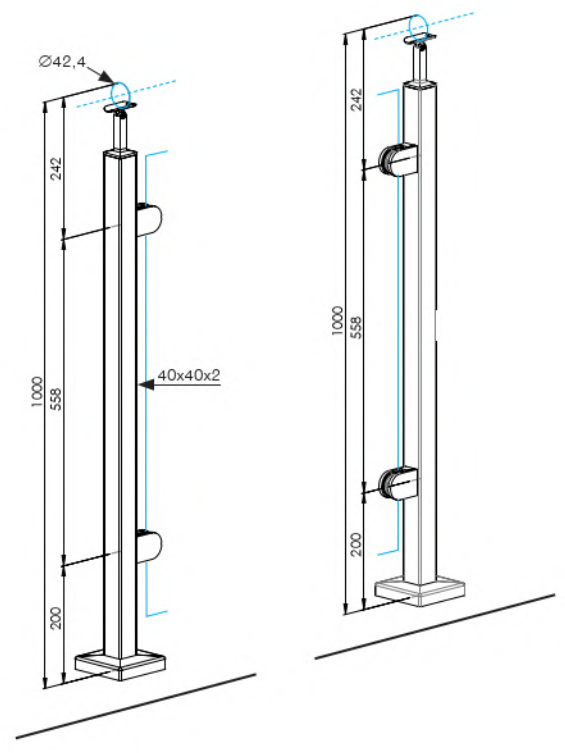
Quality	Finish	art.				
AISI304	satın	AJP-VER-BR100	A/40x40x2	A6/005-4	A6/40-120x50	A/4732-040
		AJP-VER-BR100-FLEX	1x	1x	1x	1x

new

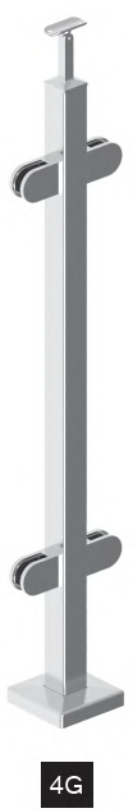
MODEL SQUARE 40x40



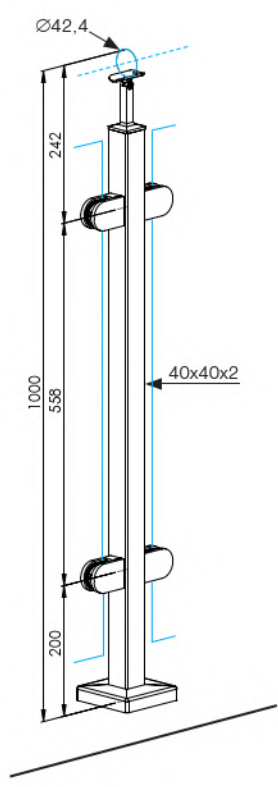
-  1x
A/4718-042
-  2x
A/2200-000
-  4x
A19/22-009
-  1x
A/40x40x2
-  1x
A/4511-040
-  1x
A/4940-040



Quality	Finish	glass t	art.
AISI304	satın	8,76	AJP-VR100-2GR
			AJP-VR100-2GL



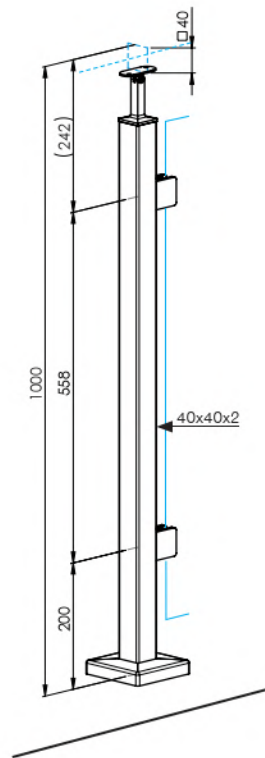
-  1x
A/4718-042
-  4x
A/2200-000
-  8x
A19/22-009
-  1x
A/40x40x2
-  1x
A/4511-040
-  1x
A/4940-040



Quality	Finish	glass t	art.
AISI304	satın	8,76	AJP-VR100-4G



-  1x
- A/4718-000-B
-  2x
- A/2300-000
-  4x
- A19/23-P09/K11
-  1x
- A/40x40x2
-  1x
- A/4511-040
-  1x
- A/4940-040

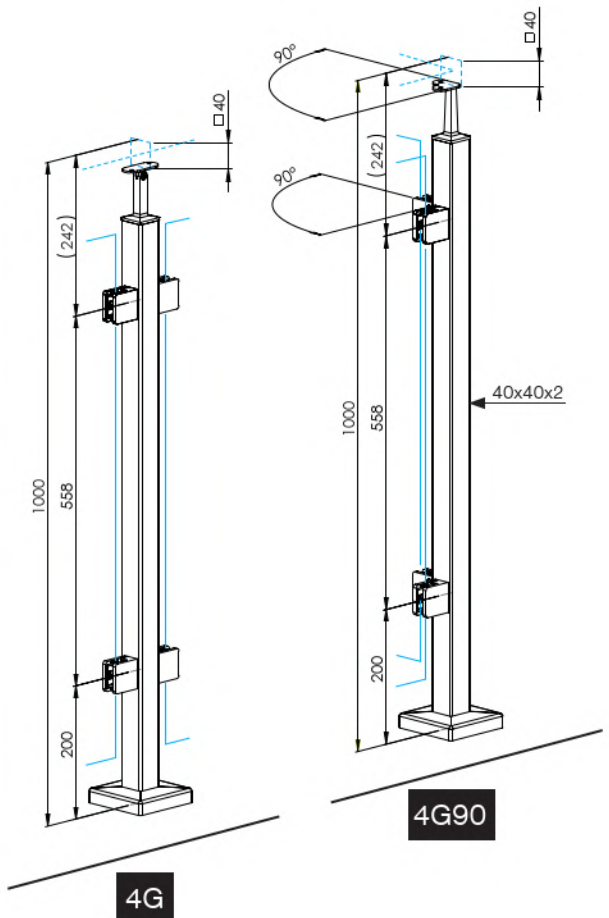


Quality	Finish	glass t	art.
AISI304	satın	8,76	AJP-VR100-2GR-230
			AJP-VR100-2GL-230

new



-  1x
- A/47...
-  4x
- A/2300-000
-  8x
- A19/23-P09/K11
-  1x
- A/40x40x2
-  1x
- A/4511-040
-  1x
- A/4940-040








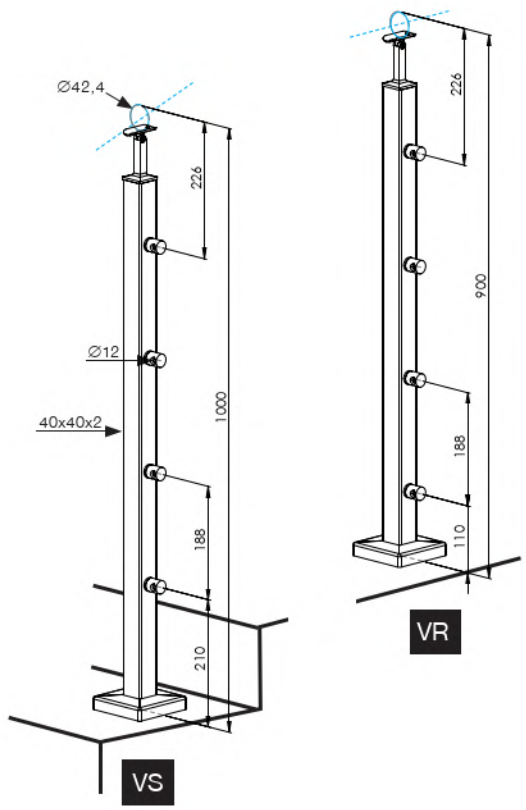
Quality	Finish	glass t	art.
AISI304	satın	8,76	AJP-VR100-4G-230
			AJP-VR100-4G90-230

new

MODEL SQUARE 40x40








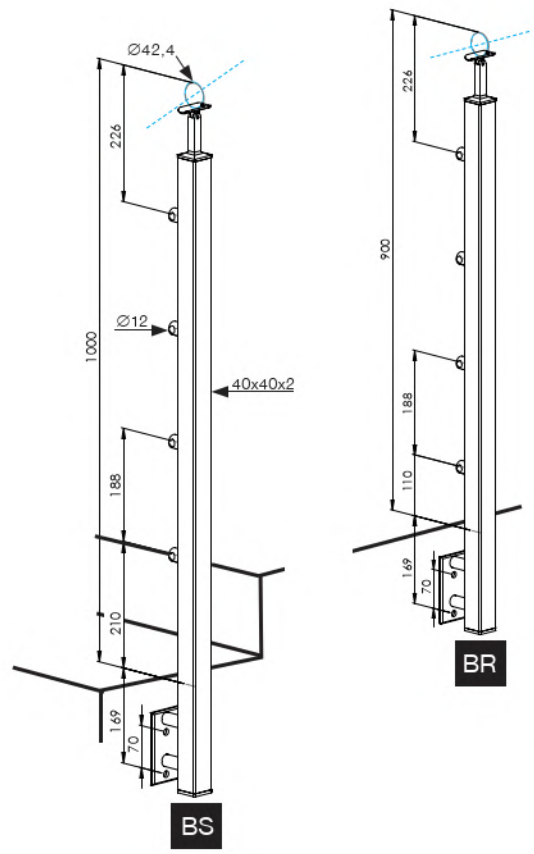
-  1x
A/4718-042
-  4x
A/0830-000
-  1x
A/40x40x2
-  1x
A/4511-040
-  1x
A/4940-040



Quality	Finish	art.
AISI304	satın	AJP-VR90-4D12
		AJP-VS90-4D12




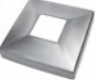



-  1x
A/4718-042
-  4x
A/0830-000
-  1x
A/40x40x2
-  1x
A6/005-4
-  1x
A/4732-040



Quality	Finish	art.
AISI304	satın	AJP-BR90-4D12
		AJP-BS90-4D12



	1x
A/4718-042	
	5x
A/0830-000	
	1x
A/40x40x2	
	1x
A/4511-040	
	1x
A/4940-040	

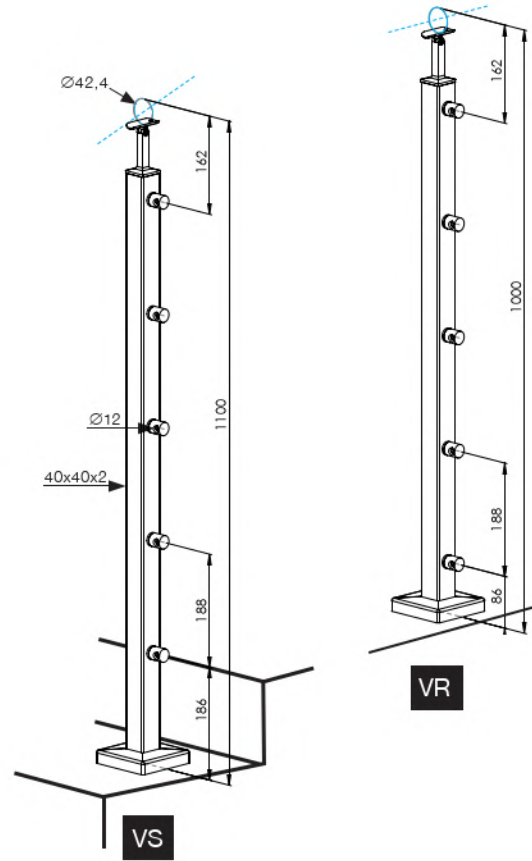
CAJP...

AJP...

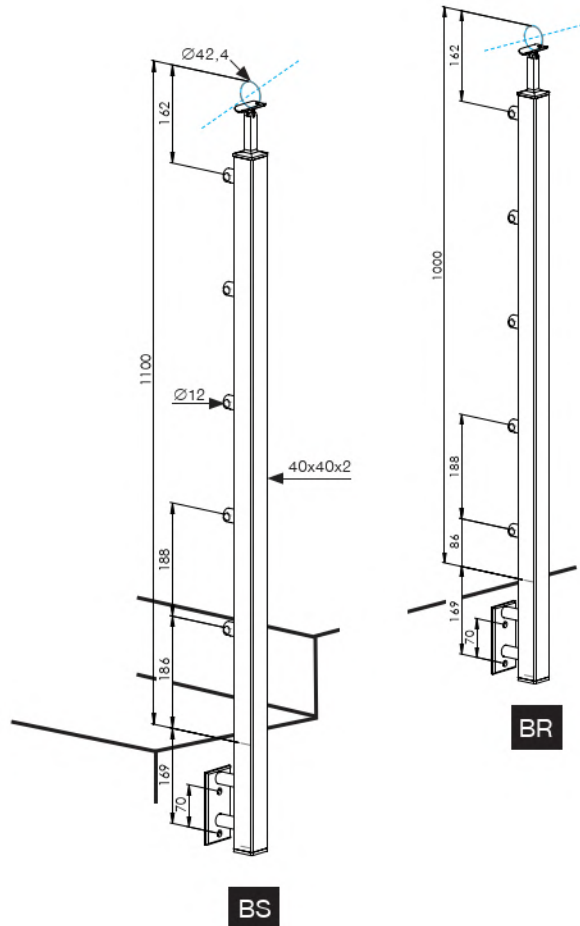
Quality	Finish	art.
AISI304	satin	AJP-VR100-5D12
CORTEN	raw	CAJP-VR100-5D12
AISI304	satin	AJP-VS100-5D12
CORTEN	raw	CAJP-VS100-5D12

new

new








	1x
A/4718-042	
	5x
A/0830-000	
	1x
A/40x40x2	
	1x
A6/005-4	
	1x
A/4732-040	



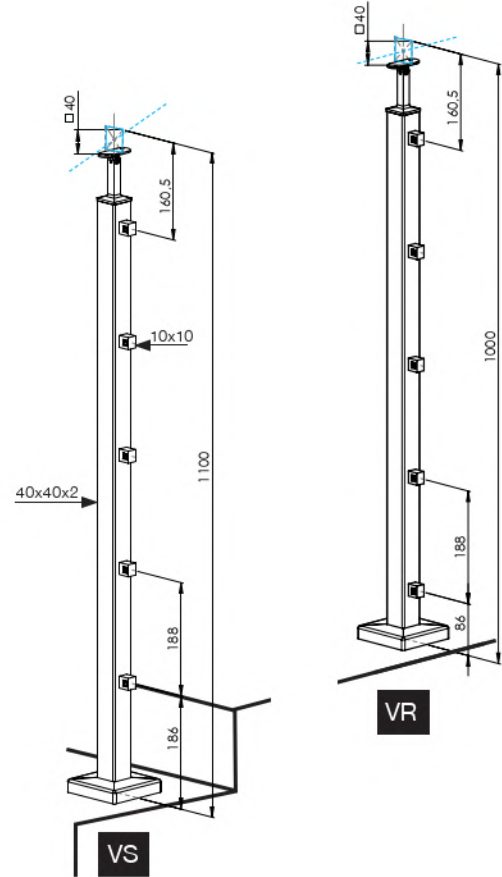
Quality	Finish	art.
AISI304	satin	AJP-BR100-5D12
		AJP-BS100-5D12






MODEL SQUARE 40x40



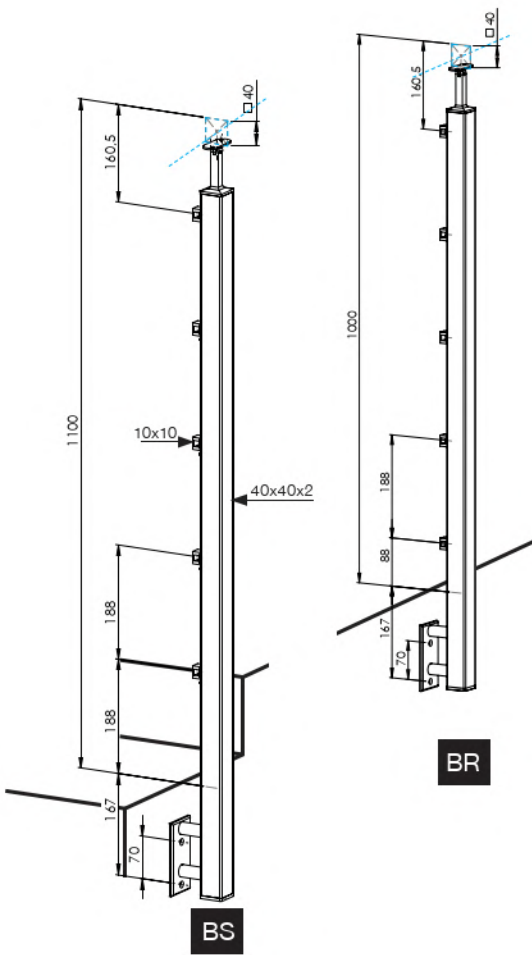
	1x
A/4718-000-B	
	5x
A/4810-000	
	1x
A/40x40x2	
	1x
A/4511-040	
	1x
A/4940-040	

Quality	Finish	art.
satin	satin	AJP-VR100-5JP10
		AJP-VS100-5JP10






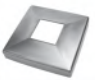

	1x
A/4718-000-B	
	5x
A/4810-000	
	1x
A/40x40x2	
	1x
A6/005-4	
	1x
A/4732-040	

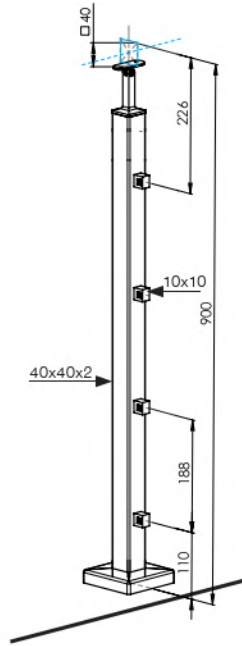
Quality	Finish	art.
satin	satin	AJP-BR100-5JP10
		AJP-BS100-5JP10



MODEL SQUARE 40x40

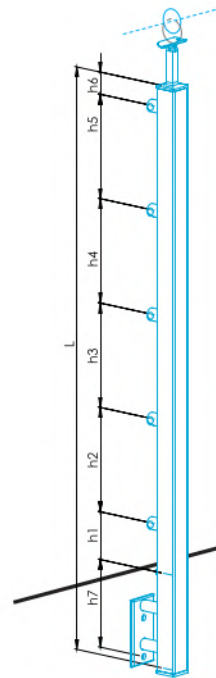


	1x
A/4718-000-B	
	4x
A/4810-000	
	1x
A/40x40x2	
	1x
A/4511-040	
	1x
A/4940-040	



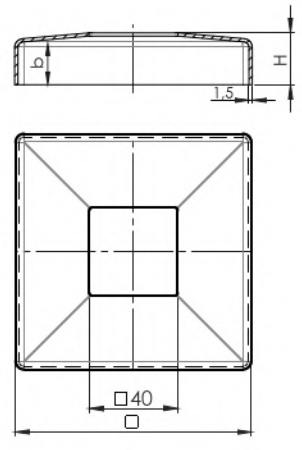
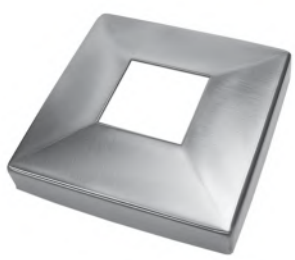
Quality	Finish	art.
AISI304	satín	AJP-VR90-4JP10

MODEL ATYP SQ 40x40



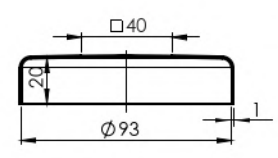
Quality	Finish	∅	art.	L	h1	h2	h3	h4	h5	h6	h7	Pcs
AISI304	satín	40x40x2	ATYP-INOX A/40x40									
AISI316			ATYP-INOX A14/40x40									
Beech	natural	40x40	ATYP-INOX WB/40x40									
Oak			ATYP-INOX WD/40x40									

L=max. 1200mm, max. 7 holes

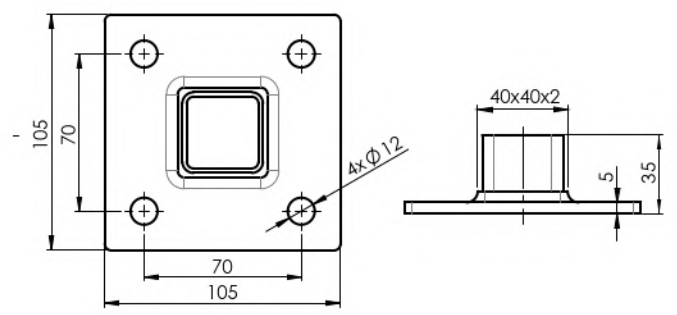


Quality	Finish	art.	□	b	H
AISI304	satin	A/4511-9340	93x93	17,5	25
		A/4511-9640	96x96	14,5	20
		A/4511-040	108x108	19,5	25
AISI316		A14/4511-040			

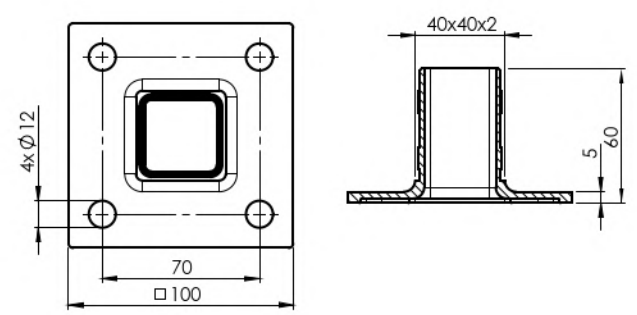
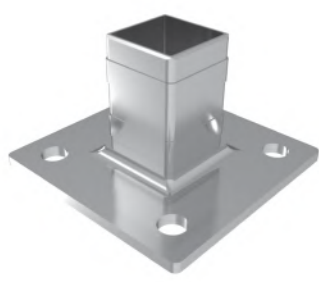
top



Quality	Finish	art.
AISI304	satin	A/4513-9340



Quality	Finish	art.
AISI304	satin	A/4942-040
	raw	A/4942-040-N

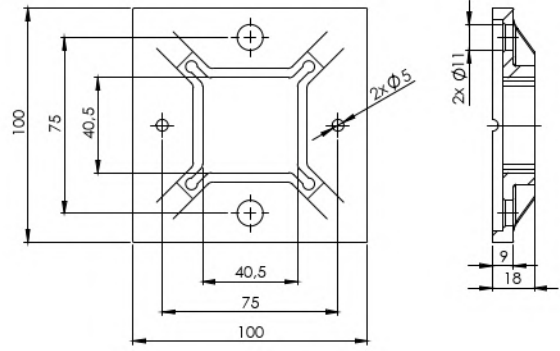


Quality	Finish	art.
AISI304	satin	A/4941-040

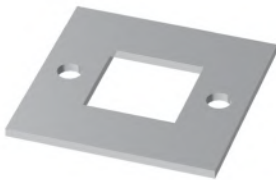
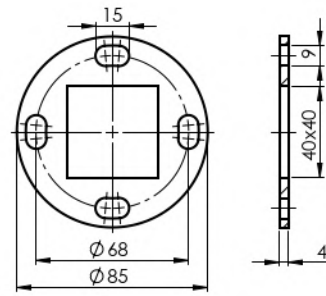


Quality	Finish	art.
AISI304	raw	A/4940-040
AISI316		A14/4940-040

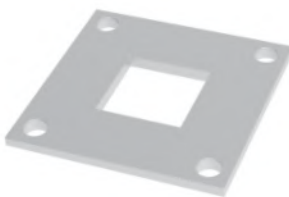
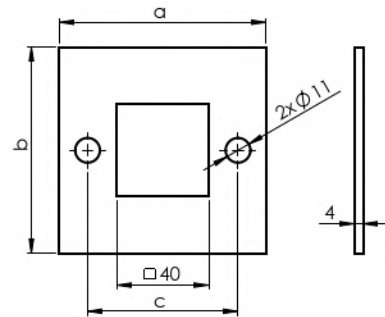
top



Quality	Finish	art.
AISI304	satın	A/1983-85

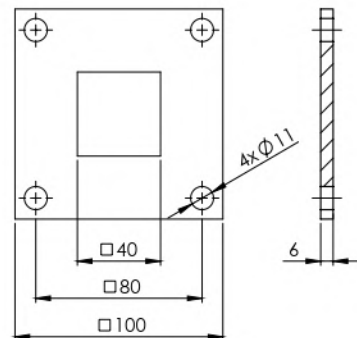


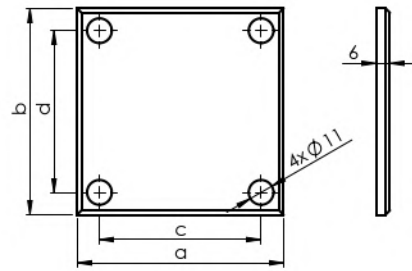
Quality	Finish	art.	axb	c
AISI304	raw	A/1981-088x40x4-N	88x88	65
		A/1981-092x40x4-N	92x92	67
		A/1981-100x40x4-N	100x100	70



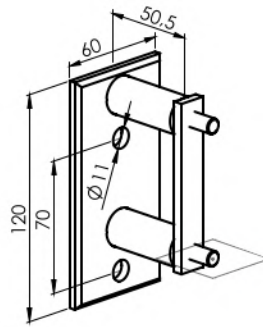
Quality	Finish	art.
AISI304	raw	A/1984-100x40x6-N
	satın	A/1984-100x40x6

new

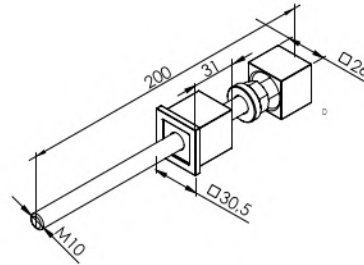
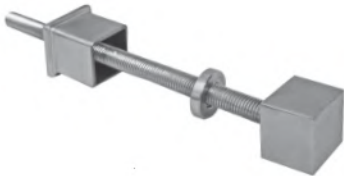




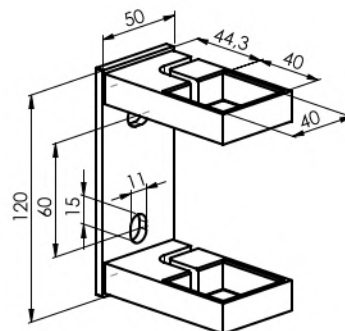
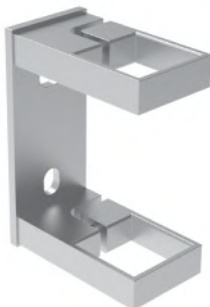
Quality	Finish	art.	a x b	cx d
AISI304	satin	A/1980-092	92x92	72x72
		A/1980-100	100x100	80x80



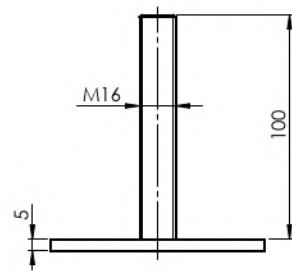
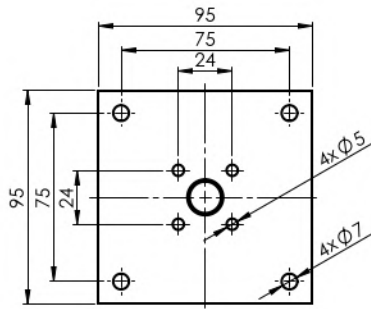
Quality	Finish	art.
AISI304	satin	A6/005-4
AISI316		A14/005-4



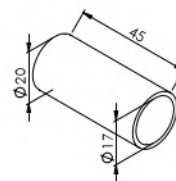
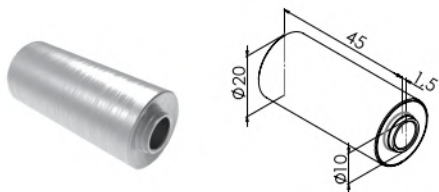
Quality	Finish	art.
AISI304	satin	A6/26x26-31



Quality	Finish	art.
AISI304	satin	A6/40-120x50



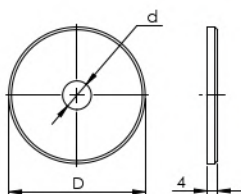
Quality	Finish	art.
Fe	Zinc	A6/95x95x5-M16



Quality	Finish	art.
AISI304	satın	A6/005-4-distanc

Quality	Finish	art.
AISI304	satın	A/013-45

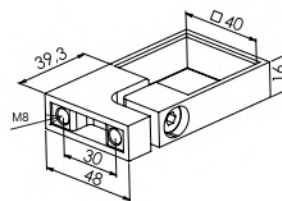
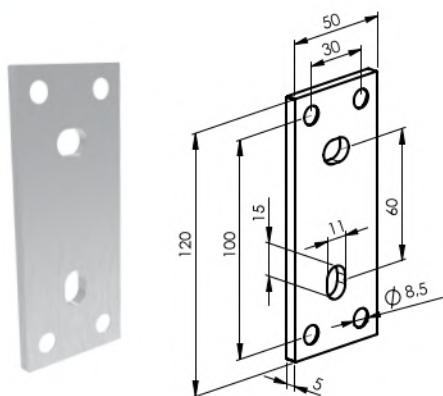
new



Quality	Finish	D	art.	d
AISI304	satın	33	A/1732-033-12	12,5
		40	A/1732-040-12	
		50	A/1732-050-10	

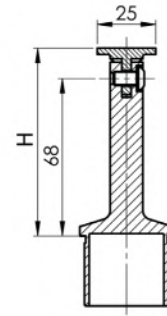
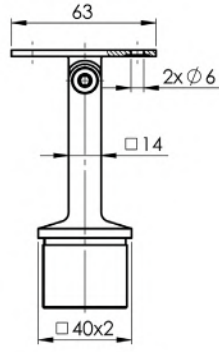
A6/005-4W A6/005-4 A-DIN 7991-A2 M8x110 A-DIN 1587-A2 M8

A/1732-033-12

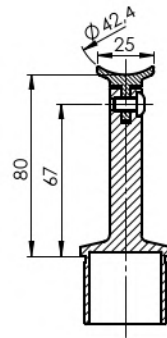
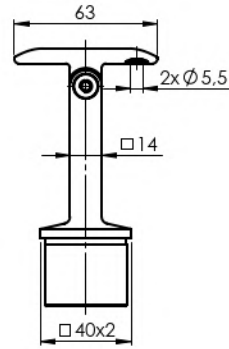


Quality	Finish	art.
AISI304	satın	A6/40-120x50-plate

Quality	Finish	art.
AISI304	satın	A/3507-040

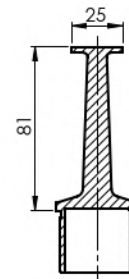
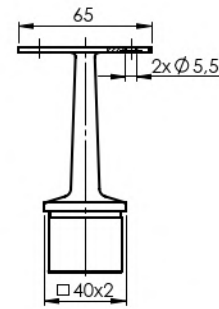


Quality	Finish	art.	H
AISI304		A/4718-000	81
	satın	A/4718-000-B	80,5
AISI316		A14/4718-000	81

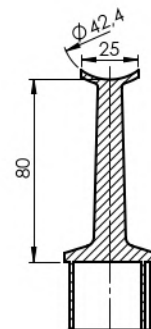
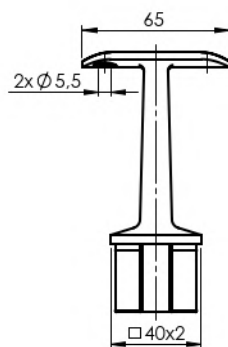


Quality	Finish	art.
AISI304		A/4718-042
AISI316	satın	A14/4718-042

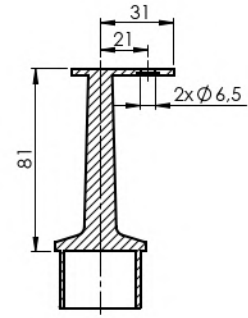
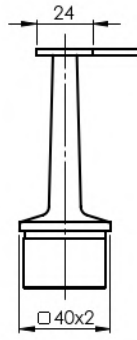
top



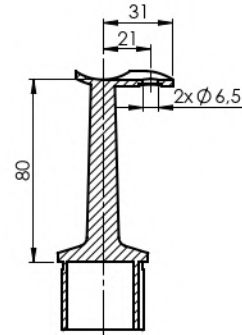
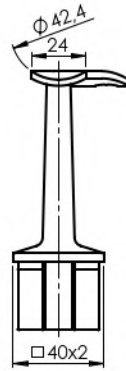
Quality	Finish	art.
AISI316	satın	A14/4710-000



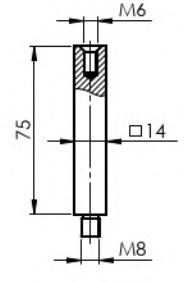
Quality	Finish	art.
AISI316	satın	A14/4710-042



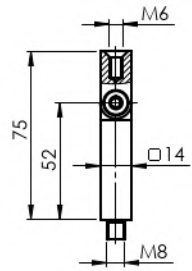
Quality	Finish	art.
AISI304	satin	A/4710-800
AISI316		A14/4710-800




Quality	Finish	art.
AISI304	satin	A/4710-842
AISI316		A14/4710-842



Quality	Finish	art.
AISI304	satin	A/4811-040





Quality	Finish	art.
AISI304	satin	A/4812-040





A-DIN 7991-A2 M6x8

+


A/1800-0... A/1890-0...

+

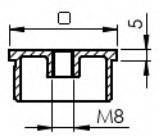



A/4811-040 A/4812-040

+



A/4735-0..-R

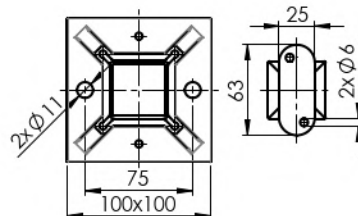
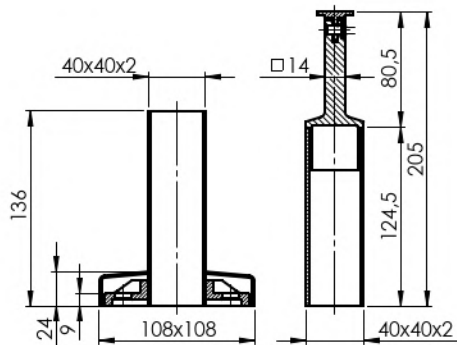


Quality	Finish	art.	□
AISI304	satin	A/4735-030-R	30x30x2
		A/4735-040-R	40x40x2
		A/4735-041-R	40x40x3
		A/4735-050-R	50x50x2
		A/4735-060-R	60x60x2
AISI316		A14/4735-040-R	40x40x2

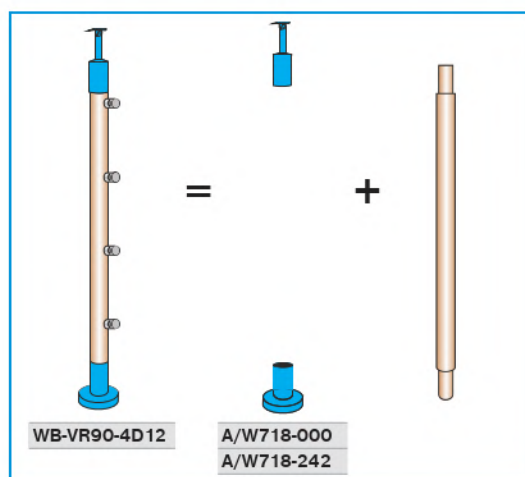
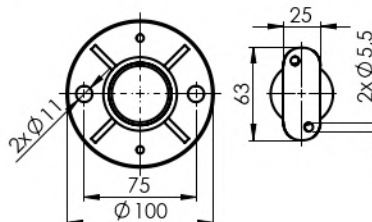
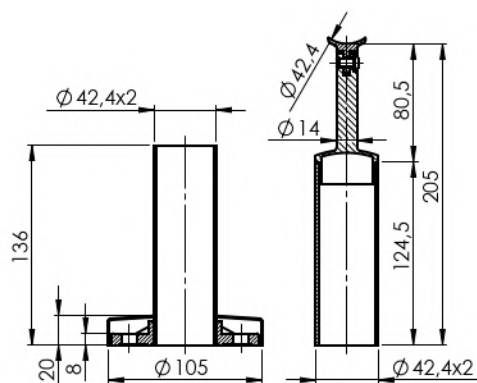
top

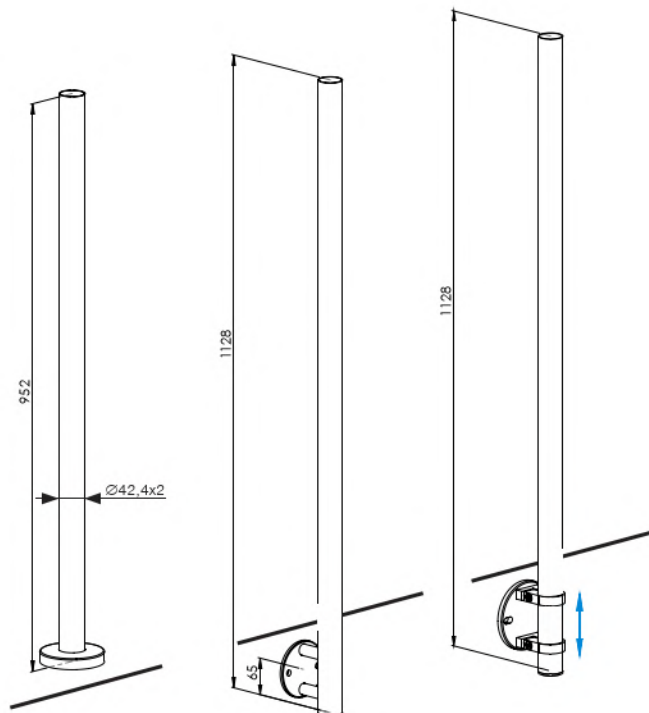
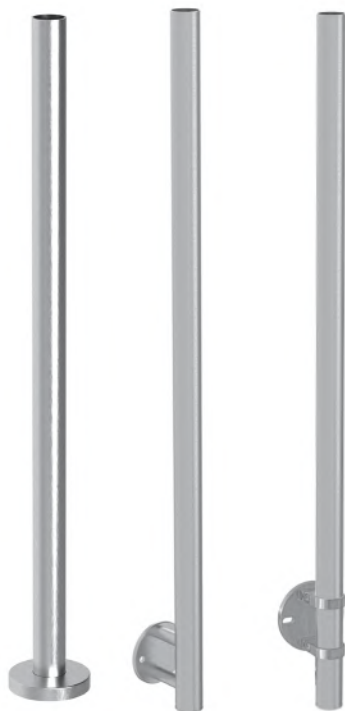


Quality	Finish	art.
AISI304	satın	A/W718-000



Quality	Finish	art.
AISI304	satın	A/W718-242






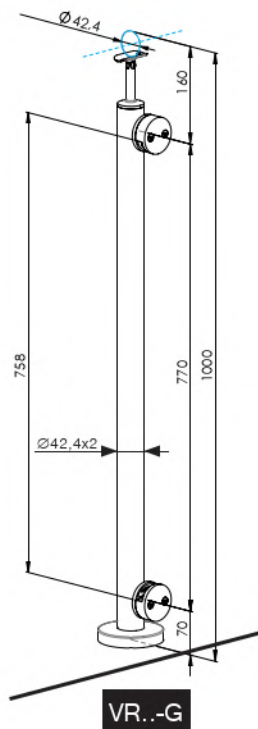
Quality	Finish	art.							
			A/42,4x2	A/0512-042	A/0940-042-N	A6/021-6-A	A6/2x42	A/5729-242	
AISI304	satín	A-VER-VR100	1x	1x	1x	1x			
		A-VER-BR100						1x	
		A-VER-BR100-FLEX							1x

new



G

	1x
A/0718-242	
	2x
A/4000-742	
	4x
A19/4041-009	
	1x
A/42,4x2	
	1x
A/0512-042	
	1x
A/0940-042-N	



VR.-G

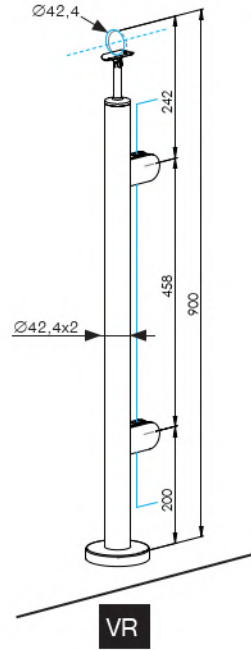
Quality	Finish	glass t	art.
AISI304	satín	8,76	A-VR100-G

new



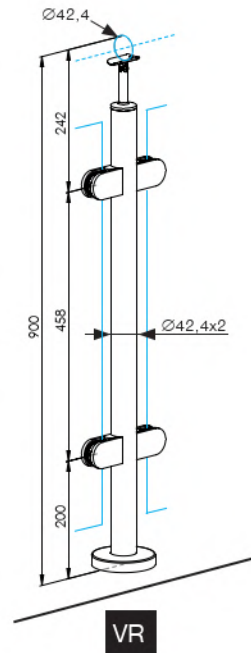
	1x
A/0718-242	
	2x
A/2200-042	
	4x
A19/22-009	
	1x
A/42,4x2	
	1x
A/0512-042	
	1x
A/0940-042-N	

Quality	Finish	glass t	art.
AISI304	satın	8,76	A-VR90-2GR
			A-VR90-2GL









	1x
A/071...	
	4x
A/2200-042	
	8x
A19/22-009	
	1x
A/42,4x2	
	1x
A/0512-042	
	1x
A/0940-042-N	

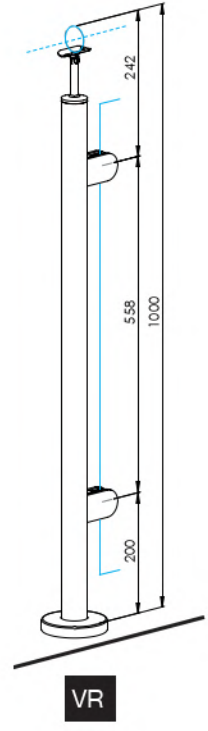
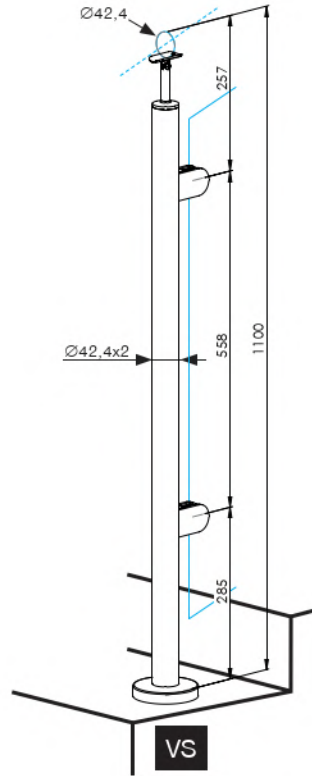
Quality	Finish	glass t	art.
AISI304	satın	8,76	A-VR90-4G
			A-VR90-4G90



MODEL ROUND D42









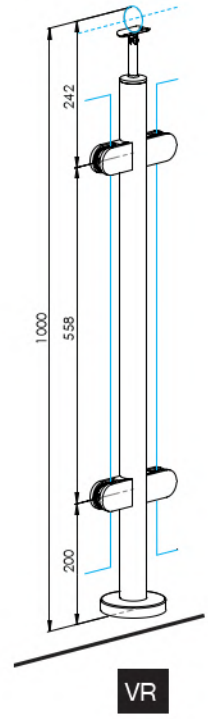
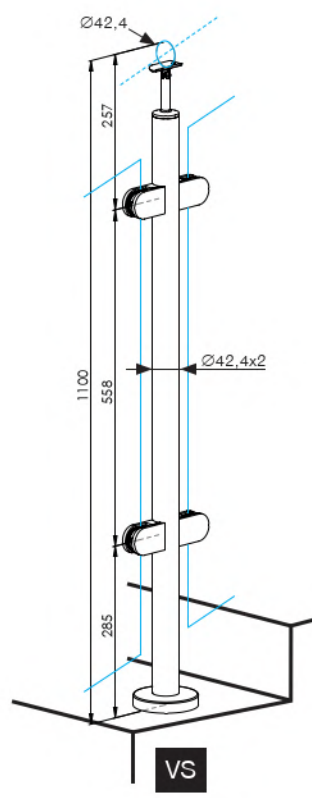
-  1x
A/0718-242
-  2x
A/2200-042
-  4x
A19/22-009
-  1x
A/42,4x2
-  1x
A/0512-042
-  1x
A/0940-042-N



Quality	Finish	glass t	art.
AISI304	satin	8,76	A-VR100-2GR
			A-VS100-2GR
			A-VR100-2GL
			A-VS100-2GL



-  1x
A/071...
-  4x
A/2200-042
-  8x
A19/22-009
-  1x
A/42,4x2
-  1x
A/0512-042
-  1x
A/0940-042-N

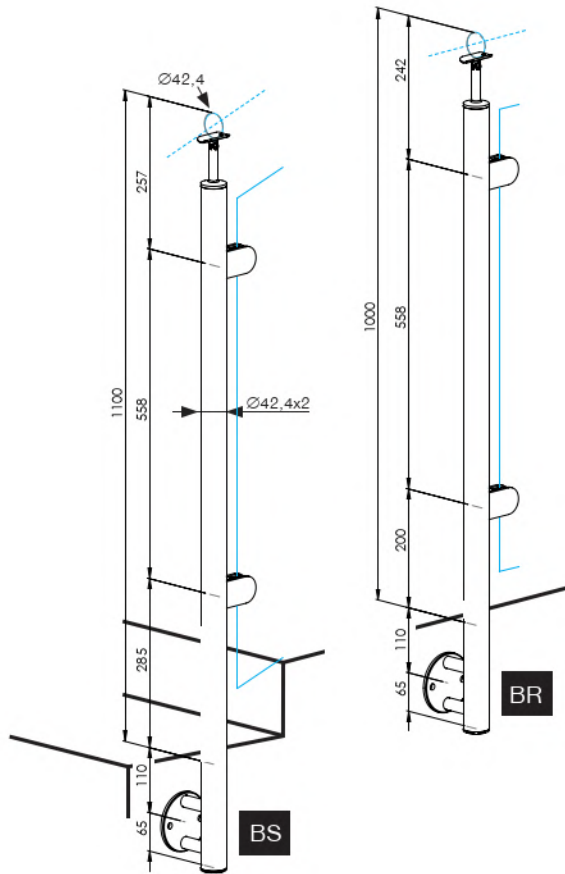


Quality	Finish	glass t	art.
AISI304	satin	8,76	A-VR100-4G
			A-VR100-4G90
			A-VS100-4G

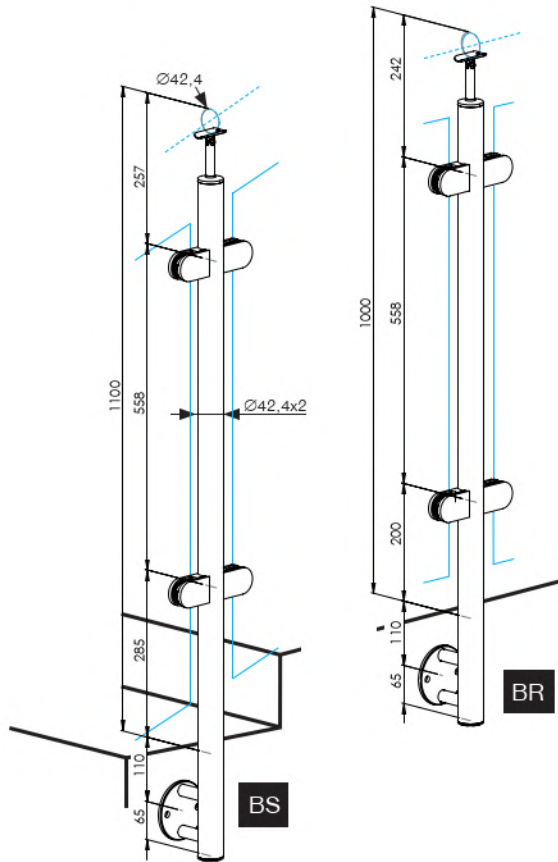
MODEL ROUND D42



	1x
A/0718-242	
	2x
A/2200-042	
	4x
A19/22-009	
	1x
A/42,4x2	
	1x
A6/021-6-A	
	1x
A/5729-242	



Quality	Finish	glass t	art.
AISI304	satin	8,76	A-BR100-2GR
			A-BS100-2GR
			A-BR100-2GL
			A-BS100-2GL

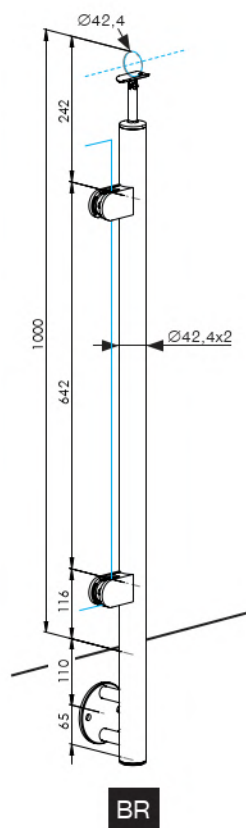


Quality	Finish	glass t	art.								
				A/0718-242	A/2200-042	A19/22-009	A/42,4x2	A6/021-6-A...	A14/024-IN-B	A14/024-OUT-B	A/5729-24
AISI304	satin	8,76	A-BR100-4G	1x	4x	8x	1x	1x	1x	1x	1x
			A-BS100-4G								
			A-BR100-4G90-IN								
			A-BR100-4G90-OUT								

MODEL ROUND D42






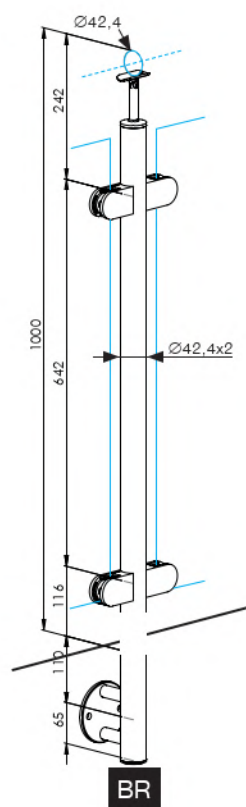
	1x
A/0718-242	
	2x
A/250P-042	
	4x
A19/25-009	
	1x
A/42,4x2	
	1x
A6/021-6-A	
	1x
A/5729-242	



Quality	Finish	glass t	art.
AISI304	satın	8,76	A-BR100-2GR-250P
			A-BR100-2GL-250P



	1x
A/0718-242	
	4x
A/250P-042	
	8x
A19/25-009	
	1x
A/42,4x2	
	1x
A6/021-6-A	
	1x
A/5729-242	



Quality	Finish	glass t	art.
AISI304	satın	8,76	A-BR100-4G-250P

MODEL ROUND D42

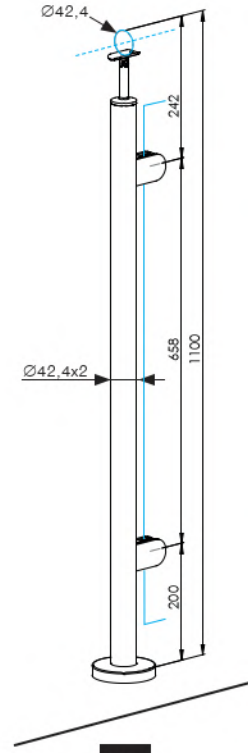


GR



GL

	1x
A/0718-242	
	2x
A/2200-042	
	4x
A19/22-009	
	1x
A/42,4x2	
	1x
A/0512-042	
	1x
A/0940-042-N	



VR

Quality	Finish	glass t	art.
AISI304	satin	8,76	A-VR110-2GR
			A-VR110-2GL

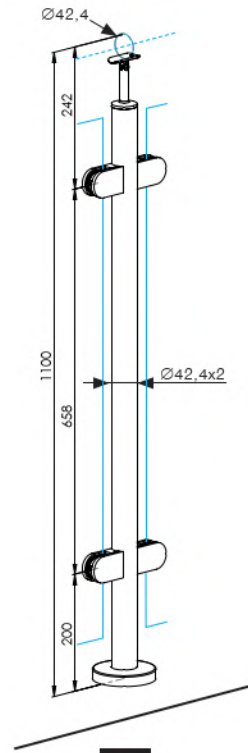


4G



4G90

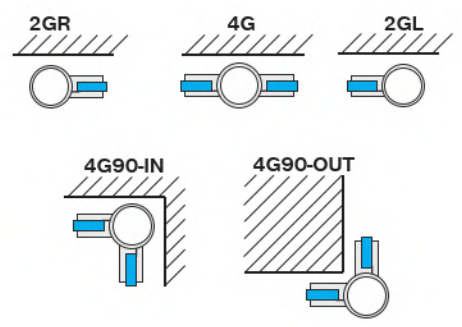
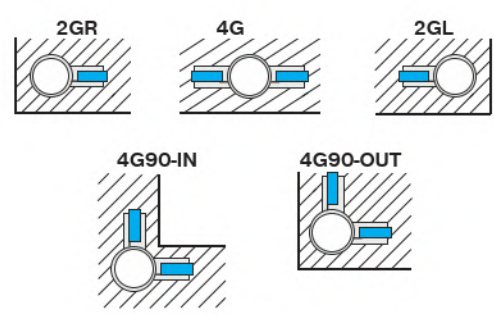
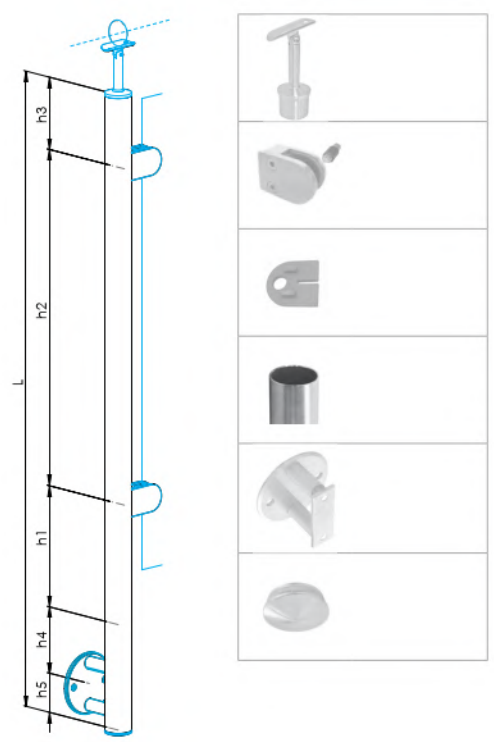
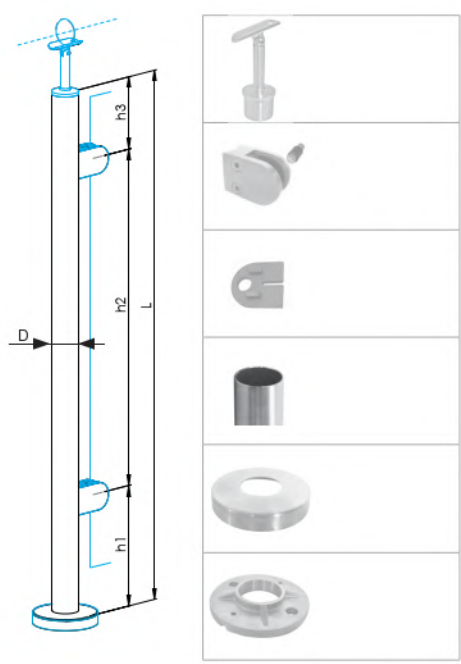
	1x
A/0718-242	
	4x
A/2200-042	
	8x
A19/22-009	
	1x
A/42,4x2	
	1x
A/0512-042	
	1x
A/0940-042-N	



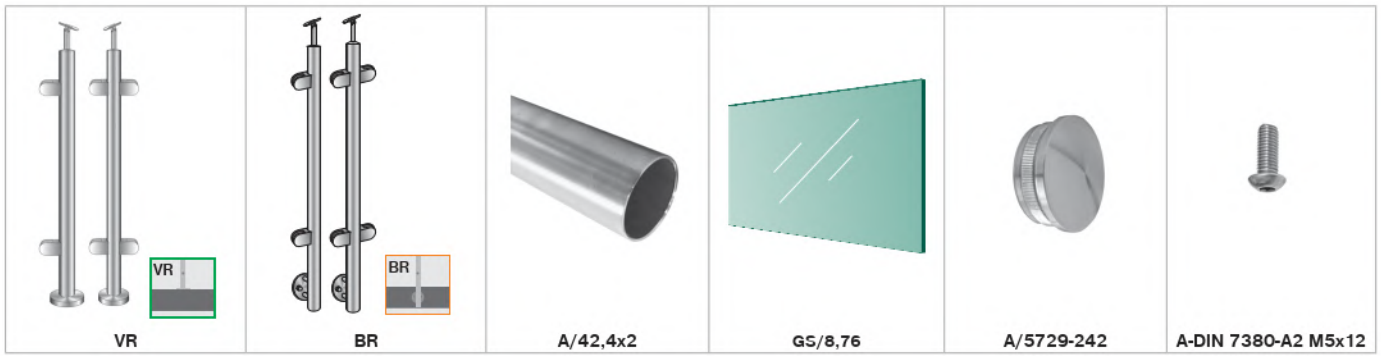
VR

Quality	Finish	glass t	art.
AISI304	satin	8,76	A-VR110-4G
			A-VR110-4G90

MODEL ROUND ATYP D42



Quality	Finish	D	art.	L	h1	h2	h3	h4	h5	2GR	2GL	4G	4G90-IN	4G90-OUT	Pcs	
AISI304	satin	42,4x2	ATYP-INOX A/42,4													
AISI316			ATYP-INOX A/42,4-L													
AISI304		40x40	ATYP-INOX A/40x40													
AISI316			ATYP-INOX A14/40x40													
Beech	natural	50	ATYP-INOX WB/40x40													
Oak			ATYP-INOX WB/D50													
Oak		natural	40x40	ATYP-INOX WD/40x40												
			50	ATYP-INOX WD/D50												

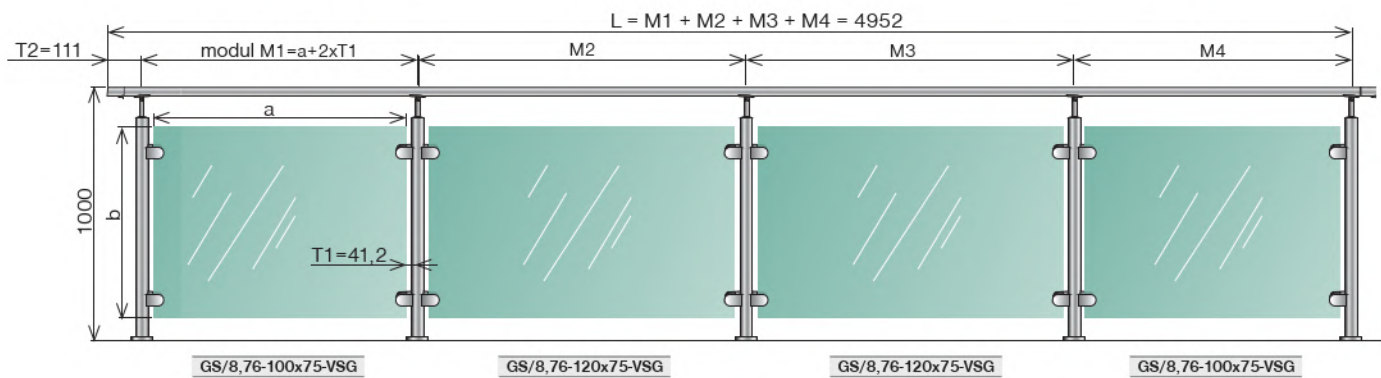


	Quality	Finish	∅	art.	L	h	GS/8,76...	VR
	AISI304	satin	42,4x2	A/ZGVR100-1504	1500		1x	2x
				A/ZGVR100-2786	3000	1000	2x	3x
				A/ZGVR100-5350	6000		4x	5x

	Quality	Finish	∅	art.	L	h	GS/8,76...	BR
	AISI304	satin	42,4x2	A/ZGBR100-1504	1500		1x	2x
				A/ZGBR100-2786	3000	1000	2x	3x
				A/ZGBR100-5350	6000		4x	5x



not assembled








Quality	art.	a	b	glass t
VSG/ESG 4.4.2	GS/8,76-70x75-VSG/ESG	700	750	8,76
	GS/8,76-80x75-VSG/ESG	800		
	GS/8,76-90x75-VSG/ESG	900		
	GS/8,76-100x75-VSG/ESG	1000		
VSG/ESG 5.5.2	GS/10,76-110x75-VSG/ESG	1100		10,76
	GS/10,76-120x75-VSG/ESG	1200		

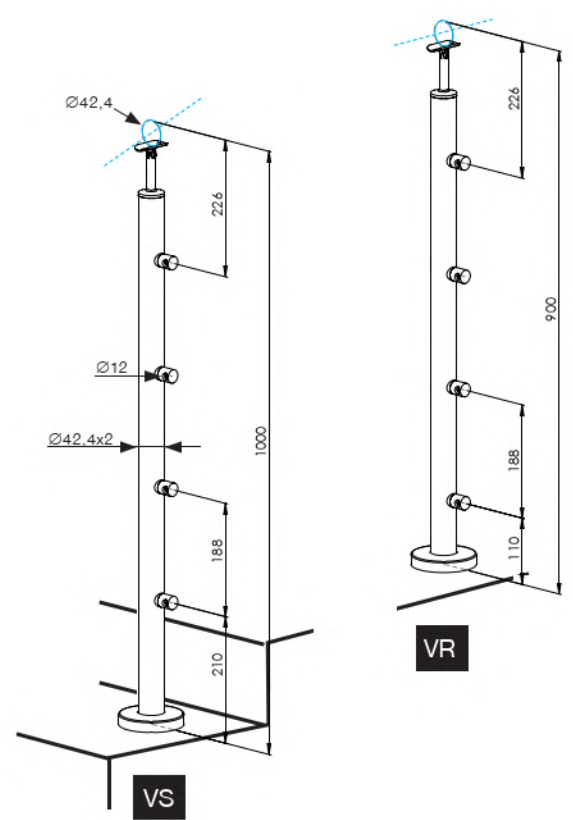
a	2xT1	Modul M M=a+2xT1	2xT2	L=M+2xT2
700		782,4		1004,8
800		882,4		1104,8
900	82,4	982,4	222,4	1204,8
1000		1082,4		1304,8
1100		1182,4		1404,8
1200		1282,4		1504,8






MODEL ROUND D42



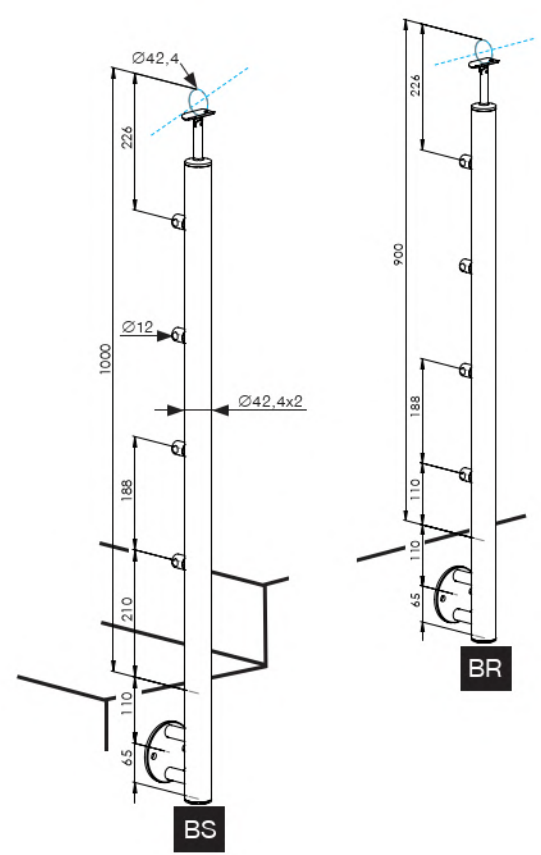
	1x
A/0718-242	
	4x
A/0830-042	
	1x
A/42.4x2...	
	1x
A/0512-042	
	1x
A/0940-042-N	

Quality	Finish	art.
AISI304	satin	A-VR90-4D12
		A-VS90-4D12
	polish	A-VR90-4D12-L
		A-VS90-4D12-L
AISI316	satin	A14-VR90-4D12
		A14-VS90-4D12








	1x
A/0718-242	
	4x
A/0830-042	
	1x
A/42.4x2...	
	1x
A6/021-6-A	
	1x
A/5729-242	

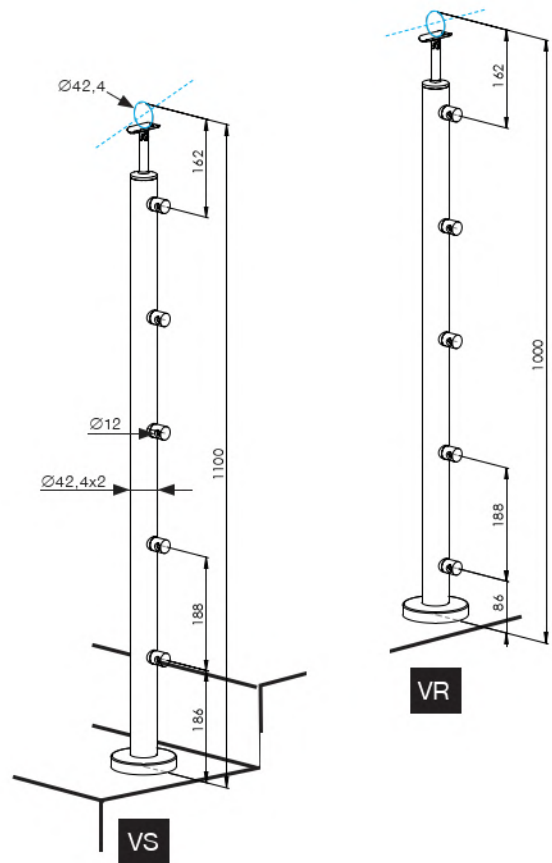
Quality	Finish	art.
AISI304	satin	A-BR90-4D12
		A-BS90-4D12
	polish	A-BR90-4D12-L
		A-BS90-4D12-L
AISI316	satin	A14-BR90-4D12
		A14-BS90-4D12










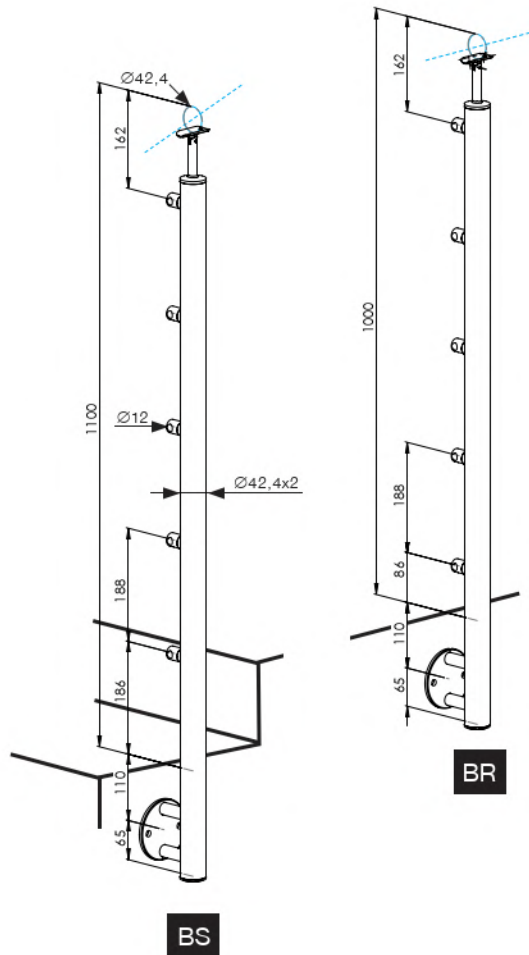
	1x
A/0718-242	
	5x
A/0830-042	
	1x
A/42,4x2...	
	1x
A/0512-042	
	1x
A/0940-042-N	

Quality	Finish	art.
AISI304	satin	A-VR100-5D12
		A-VR100-5D12-B
	polish	A-VS100-5D12
		A-VR100-5D12-L
AISI316	satin	A14-VR100-5D12
		A14-VS100-5D12







	1x
A/0718-242	
	4x
A/0830-042	
	1x
A/42,4x2...	
	1x
A6/021-6-A	
	1x
A/5729-242	

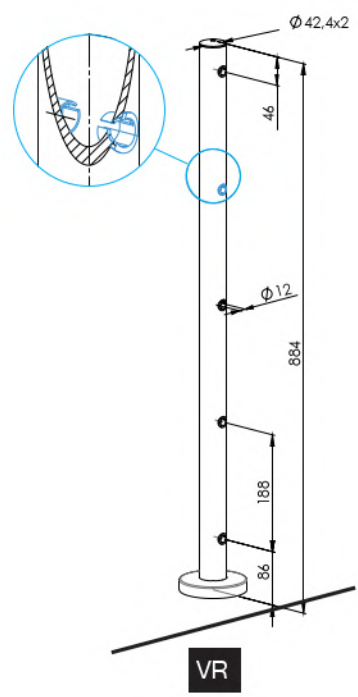
Quality	Finish	art.
AISI304	satin	A-BR100-5D12
		A-BS100-5D12
AISI316	satin	A14-BR100-5D12
		A14-BS100-5D12



MODEL ROUND D42



	1x
A/5735-242-R	
	10x
A12/12-PVC	
	1x
A/42,4x2...	
	1x
A/0512-042...	
	1x
A6/100x42x6-S	



A-DIN 7991-A2 M6x8
+






A/1800-04... A14/42-55-C
A/1800-00... A6/42-55-35-B
+

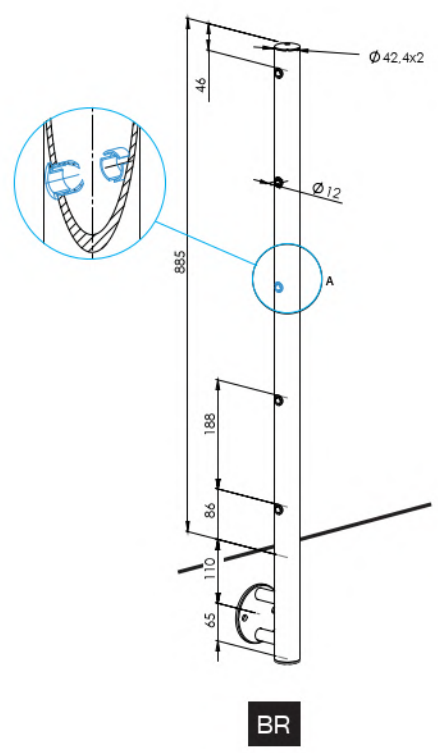
A/0811... A/0812...

Quality	Finish	art.
AISI304	satın	A-VR100-5D12-PVC

new



	1x
A/5735-242-R	
	10x
A12/12-PVC	
	1x
A/42,4x2...	
	1x
A6/021-6-A...	
	1x
A/5729-242...	



A-DIN 7991-A2 M6x8
+

A/1800-04... A14/42-55-C
A/1800-00... A6/42-55-35-B
+


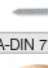
A/0811... A/0812...

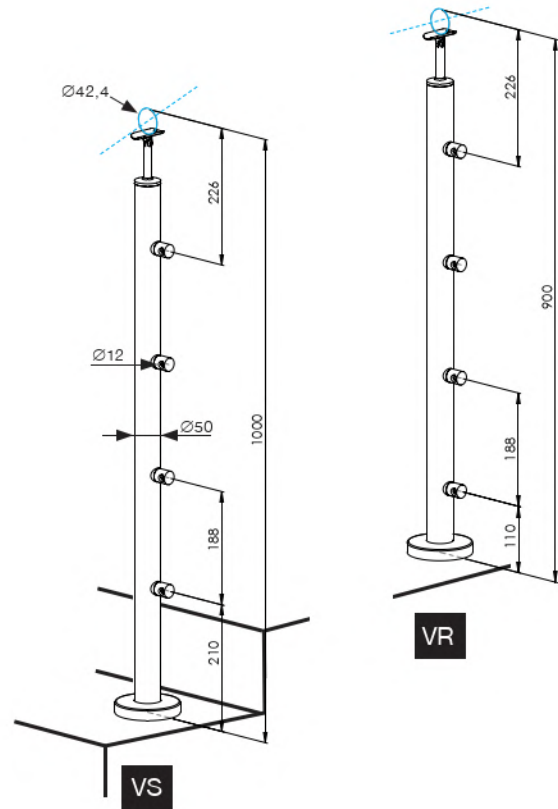
Quality	Finish	art.
AISI304	satın	A-BR100-5D12-PVC

new

MODEL ROUND D50

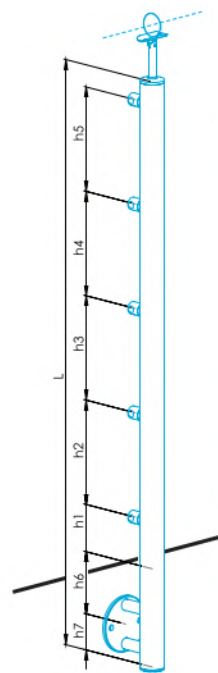
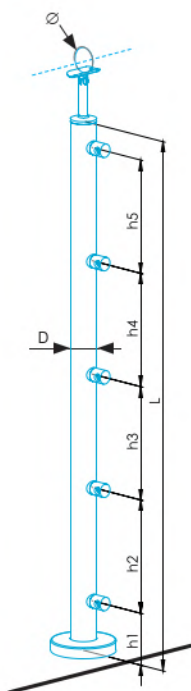


	1x
A/0818-042	
	1x
A/1732-050-10	
	1x
WOOD/M10-D	
	5x
A/0830-042	
	5x
A-DIN 7505A 5x35	
	1x
WB/D50	
	1x
A/0512-050	
	1x
A6/80x5-M16	



Quality	Finish	art.
Beech	natural	WB-VR100-5D12
		WB-VS100-5D12

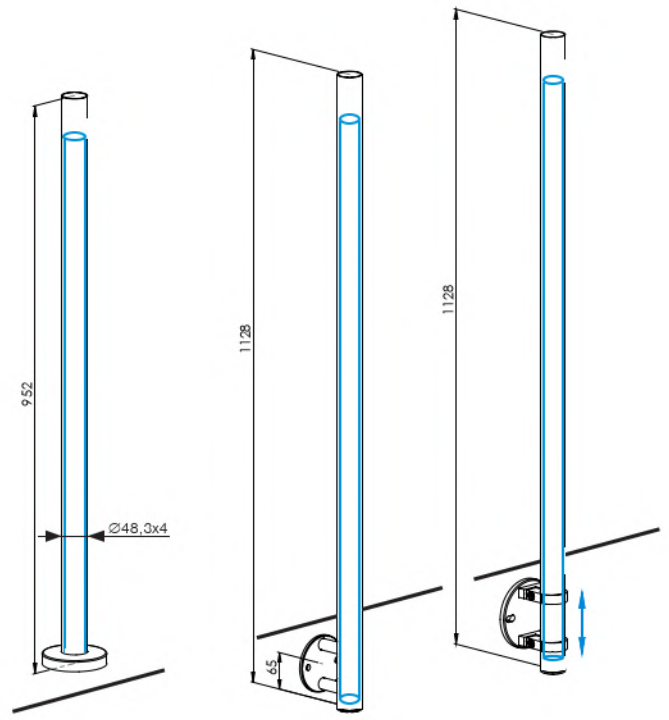
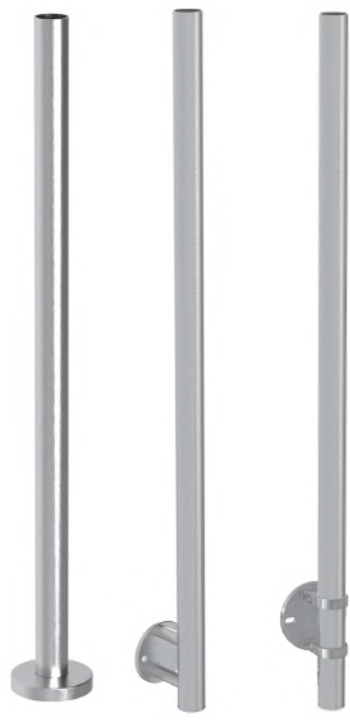
MODEL ROUND ATYP









Quality	Finish	D	art.	L	h1	h2	h3	h4	h5	h6	h7	Pcs
AISI304	satın	42,4x2	ATYP-INOX A/42,4									
	polish		ATYP-INOX A/42,4-L									
AISI316	satın		ATYP-INOX A14/42,4									
Beech	natural	50	ATYP-INOX WB/D50									
Oak			ATYP-INOX WD/D50									

L=max. 1200mm, max. 7 holes

MODEL ROUND D48-STRONG






Quality	Finish	art.						
			A/48,3x4	A14/0513-048	A/0943-115x48	A6/021-048	A14/2x48-150	A/5729-248...
AISI304	satin	A-VER-VR100-STRONG	1x	1x	1x	1x	1x	1x
		A-VER-BR100-STRONG						
		A-VER-BR100-FLEX-STRONG						

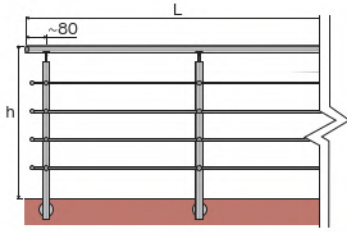
new

STATIC TEST $F = \max 5kN$

DYNAMIC TEST $G = 50kg$



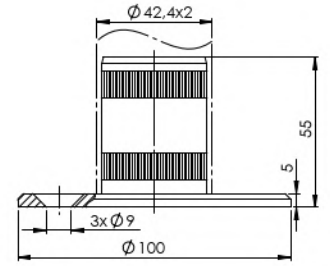
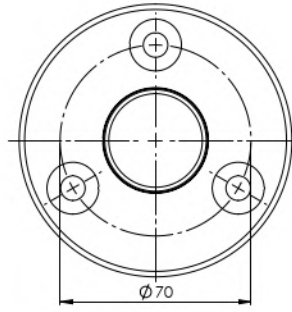


	Quality	Finish	∅	art.	L	h
	AISI304	satin	42,4x2	A/ZVR90-1500	1500	900
				A/ZVR90-3000	3000	
	AISI316	satin		A/ZVR90-6000	6000	
				A14/ZVR90-3000	3000	
	AISI304	satin		A14/ZVR90-6000	6000	
				A/ZVR100-1500	1500	1000
				A/ZVR100-3000	3000	
				A/ZVR100-6000	6000	
AISI316	satin	A14/ZVR100-3000	3000			
		A14/ZVR100-6000	6000			

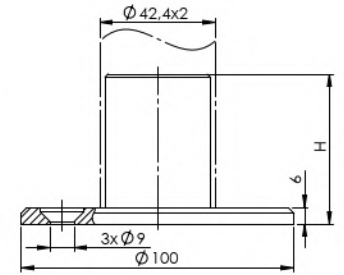
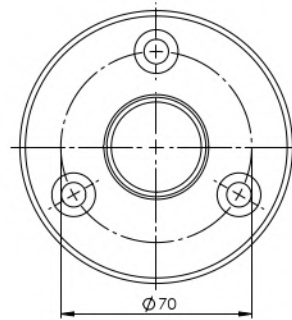
	Quality	Finish	∅	art.	L	h
	AISI304	satin	42,4x2	A/ZVS90-1500	1500	900
				A/ZVS90-3000	3000	
	AISI316	satin		A/ZVS90-6000	6000	
				A14/ZVS90-3000	3000	
	AISI304	polish		A14/ZVS90-6000	6000	
				A/ZVS90-1500-L	1500	1000
				A/ZVS90-3000-L	3000	
				A/ZVS90-6000-L	6000	
	AISI304	satin		A/ZVS100-1500	1500	
				A/ZVS100-3000	3000	
				A/ZVS100-6000	6000	
				A14/ZVS100-3000	3000	
AISI316	satin	A14/ZVS100-6000	6000			

	Quality	Finish	∅	art.	L	h
	AISI304	satin	42,4x2	A/ZBR90-1500	1500	900
				A/ZBR90-3000	3000	
				A/ZBR90-6000	6000	
				A/ZBR100-1500	1500	1000
				A/ZBR100-3000	3000	
				A/ZBR100-6000	6000	

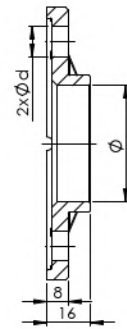
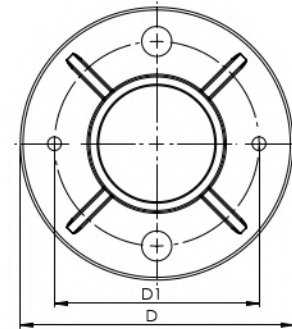
	Quality	Finish	∅	art.	L	h
	AISI304	satin	42,4x2	A/ZBS90-1500	1500	900
				A/ZBS90-3000	3000	
				A/ZBS90-6000	6000	
				A/ZBS100-1500	1500	1000
				A/ZBS100-3000	3000	
				A/ZBS100-6000	6000	



Quality	Finish	art.
AISI304	satin	A/0942-242
AISI316		A14/0942-242

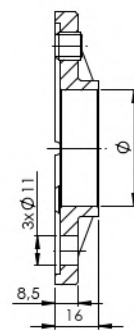
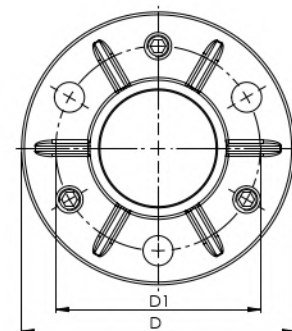


Quality	Finish	art.	H
AISI304	satin	A/0941-242x55	55
		A/0941-242x120	120

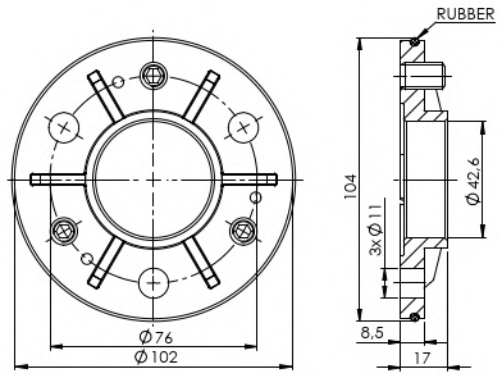
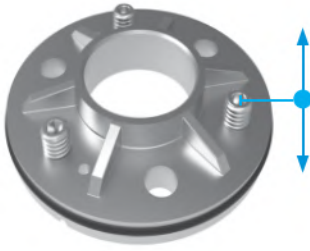


Quality	Finish	∅	art.	D	d	D1
AISI304	raw	33,7	A/0940-033-N	100	11	75
		42,4	A/0940-042-N			
48,3		A/0940-048-N-B				
AISI316		42,4	A14/0940-042-N	120		90
		48,3	A14/0944-048-N			

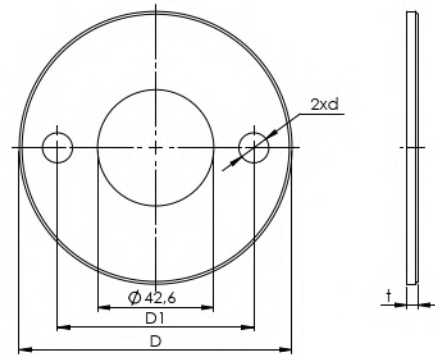
top



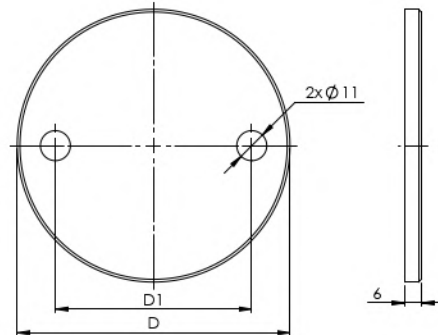
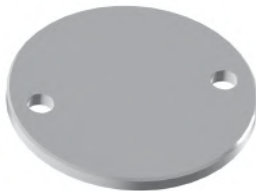
Quality	Finish	∅	art.	D	D1
AISI304	raw	42,4	A/0943-100x42	100	75
		48,3	A/0943-115x48	115	90



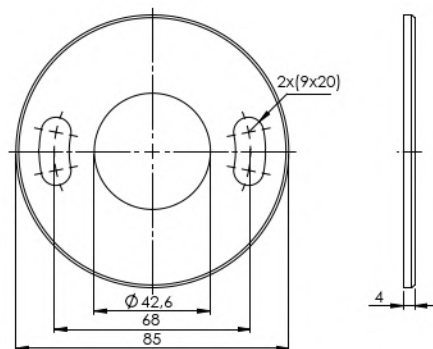
Quality	Finish	art.
AISI316	raw	A14/0949-042-N



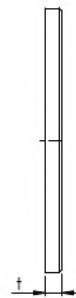
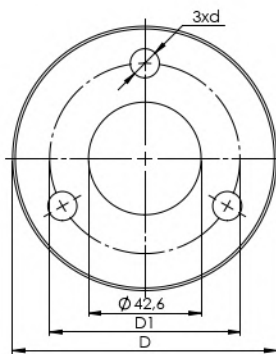
Quality	Finish	art.	D	d	D1	t
AISI304	raw	A/0948-042	100	11	75	6
		A/1951-85x42x4-N	85	9	68	4
		A/1951-100x42x4-N	100	11	72	



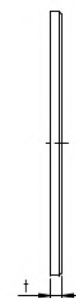
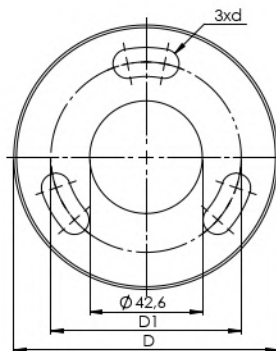
Quality	Finish	art.	D	D1
AISI304	satin	A/1950-100	100	72
		A/1950-120	120	87



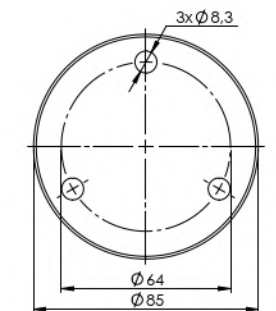
Quality	Finish	art.
AISI304	raw	A/1952-85x42x4-N



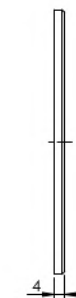
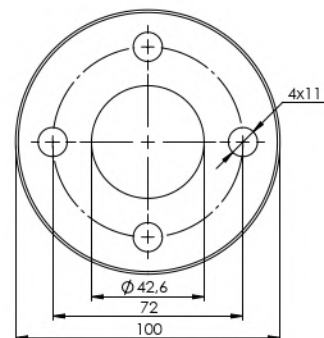
Quality	Finish	art.	D	d	D1	t
AISI304	satin	A6/85x42x6-S	85	8,5	65	6
		A6/100x42x6-B	100		70	
		A6/100x42x6-S		11	73	
		A6/120x42x6-S	120		80	
		A6/85x42x4-N	85	9	68	
A6/100x42x4-N			72			
AISI316	polish	A14/100x42x6-S	100	11	73	6
		A14/100x42x6-L				



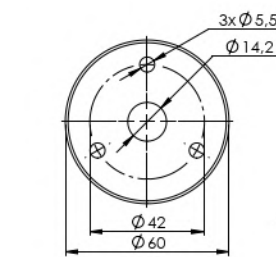
Quality	Finish	art.	D	d	D1	t
AISI304	raw	A/0946-85x4-N	85	9x20	68	4
		A/0946-100x4-N	100	11x25	72	
		A/0946-042-N			77	



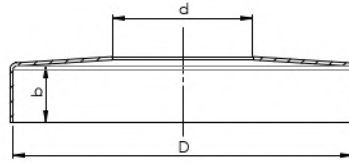
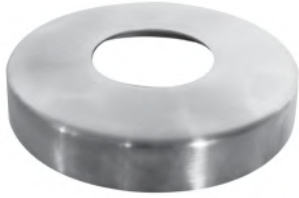
Quality	Finish	art.
AISI304	satin	A6/85x00x6-S



Quality	Finish	art.
AISI304	satin	A/1954-100x42x4-N



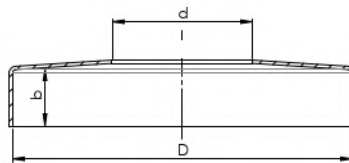
Quality	Finish	art.
AISI304	satin	A/0112-LED-PLATE



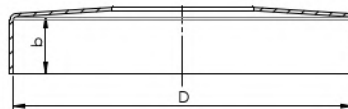
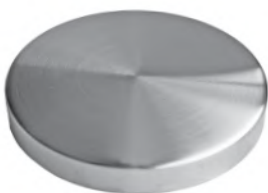
Quality	Finish	art.	d	D	b
AISI304	satin	A/0514-012-B	12	43	12
		A6/60x12x12		58	
		A/0515-012	14	72	11
		A/0514-014		43,6	
		A/0512-033	33,7	103	17
		A/0515-042-B	42,4	73	11
		A/0516-042		85	10
		A6/90x42x13-S		88	14
		A/0512-042		103	17
		A6/105x42x25	48,3	123	24
		A/0513-042		103	17
		A/0512-048		103	22
	A6/105x48x25	103		17	
	A/0512-050	50,0		17	
	polish	A/0514-012-L	12	43	12
		A/0515-042-L	42,4	73	11
A6/90x42x13-L		88		12	
A/0512-042-L		103	17		
AISI316	satin	A14/0514-012	12	43	12
		A14/0512-042	42,4		17
		A14/105x42x25		103	22
		A14/0512-048	48,3		17
		A14/105x48x25		103	23
		A14/0513-048	123	16	
	A14/0512-050	50,0	103	17	
	polish	A14/0512-042-L	42,4		

top

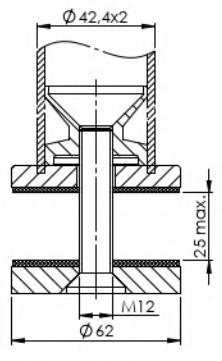
top



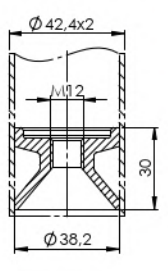
Quality	Finish	art.	d	D	b
AISI316	satin	A14/0517-012	12	43,5	12
		A14/0517-042	42	103,5	17



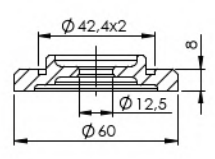
Quality	Finish	art.	d	D	b
AISI304	satin	A6/90x00x13-S	-	88	11
		A/0512-000	-	103	17



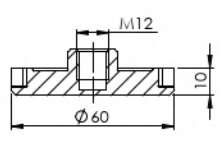
Quality	Finish	art.
AISI304	satin	A6/42-62



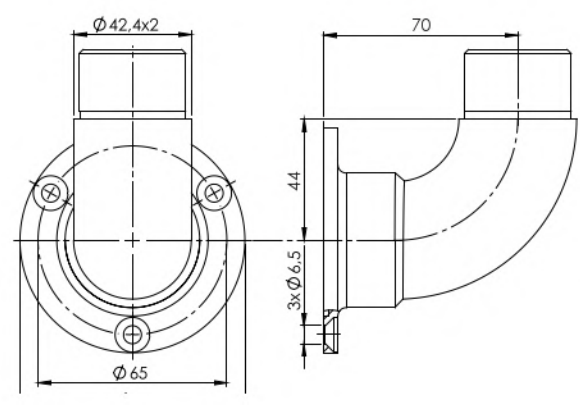
Quality	Finish	art.
AISI304	satin	A/3501-042



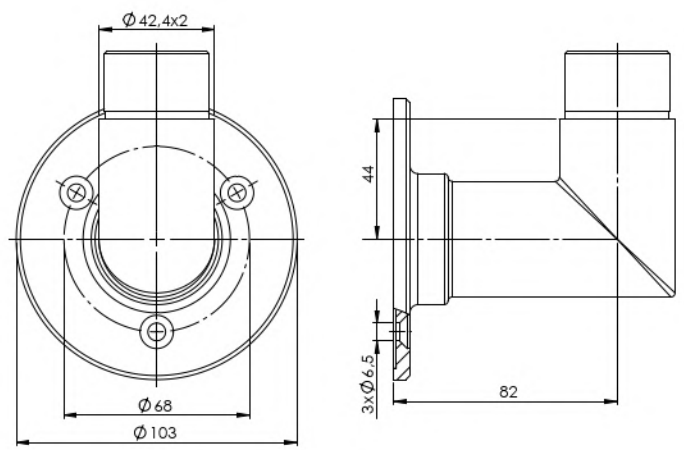
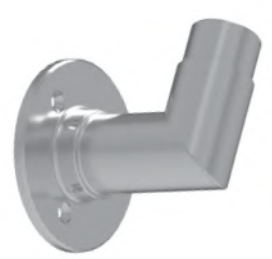
Quality	Finish	art.
AISI304	satin	A/0501-042



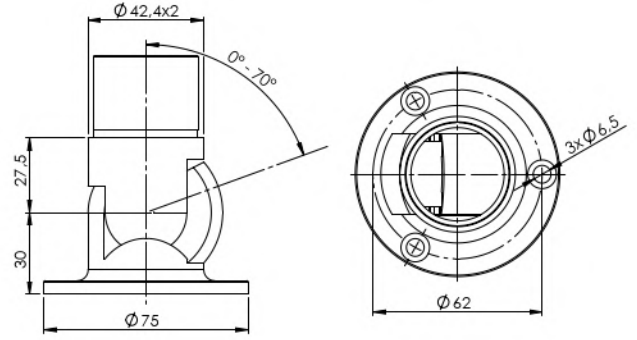
Quality	Finish	art.
AISI304	satin	A/0731-060



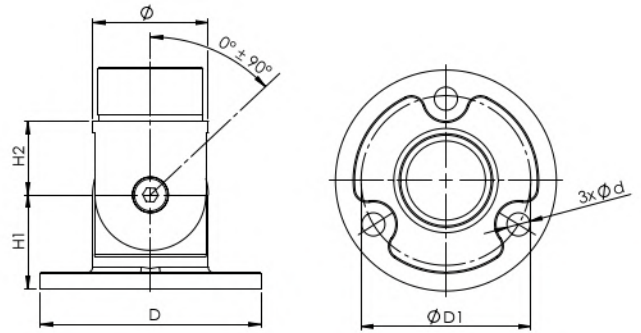
Quality	Finish	art.
AISI304	satin	A/0507-242
AISI316		A14/0507-242



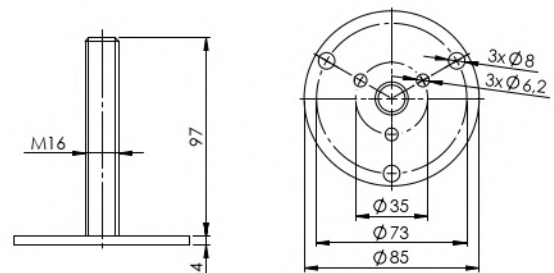
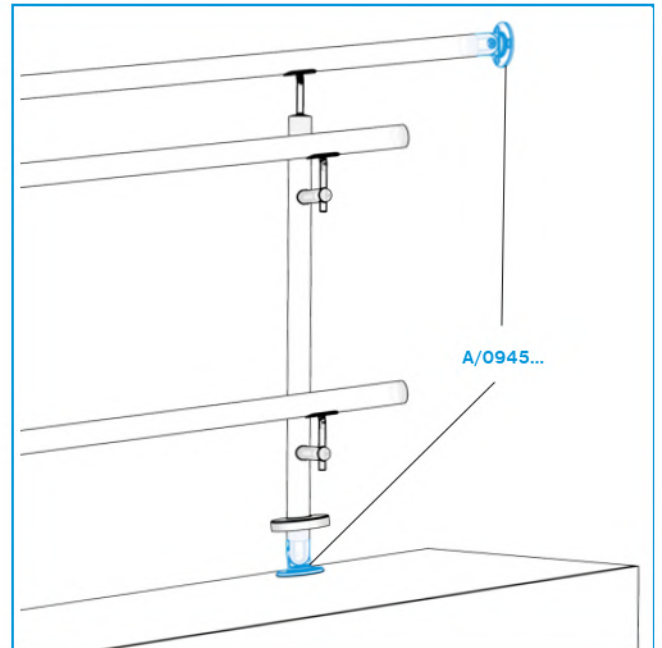
Quality	Finish	art.
AISI304	satin	A/0509-242



Quality	Finish	art.
AISI304	satin	A/0506-242 A/0506-242-B

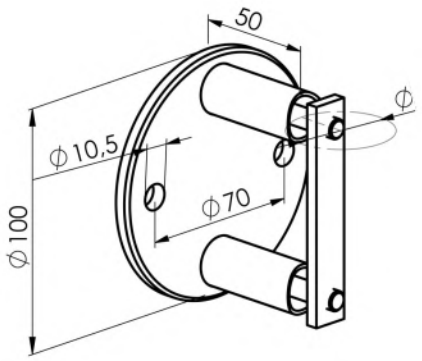


Quality	Finish	∅	art.	D	D1	H1	H2	d
AISI304	satin	33,7x2	A/0945-233	70	50	29	21	6,5
			A/0945-242-B	83	62	35		8,5
AISI316		42,4x2	A14/0945-242-B				27	
			A14/0945-242-C	80	60	38		9



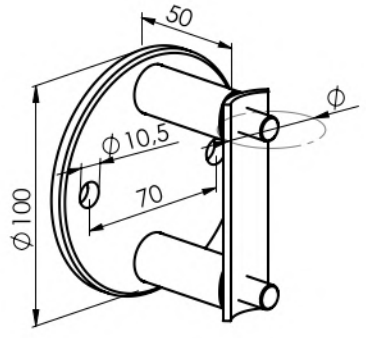
Quality	Finish	art.
Fe	Zinc	A6/80x5-M16



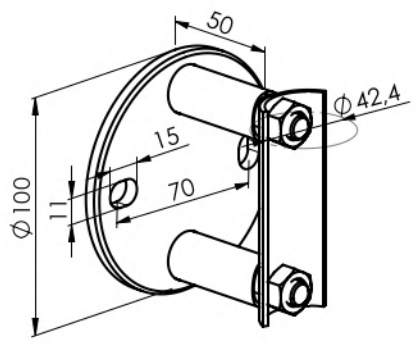


Quality	Finish	∅	art.
AISI304	satin	33,7	A6/021-033
		42,4	A6/021-6-A
		48,3	A6/021-048
AISI316	satin	42,4	A6/021-6-L
			A14/021-6-A

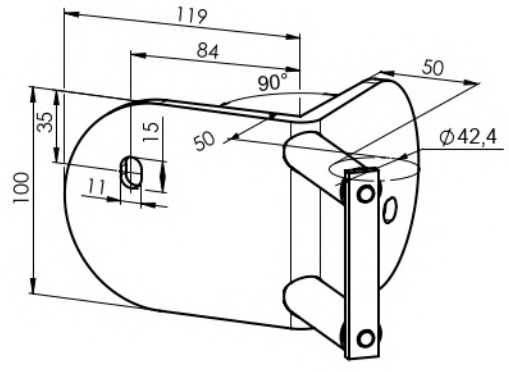
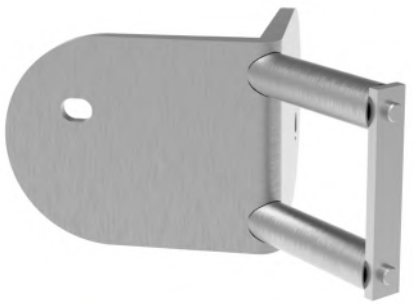
top



Quality	Finish	∅	art.
AISI304	satin	42,4	A6/021-6-A/B



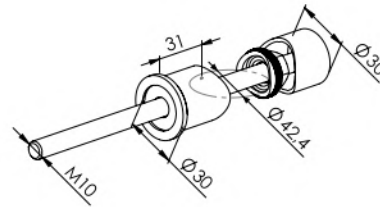
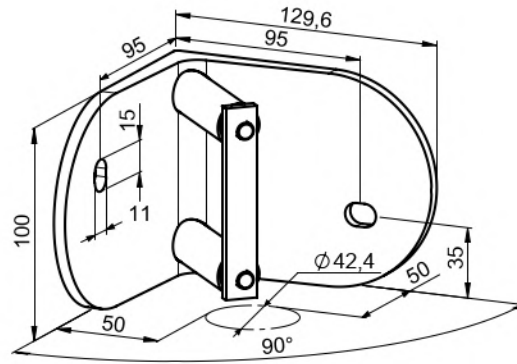
Quality	Finish	art.
AISI304	satin	A6/021-6-A/C



Quality	Finish	art.
AISI316	satin	A14/024-OUT-B

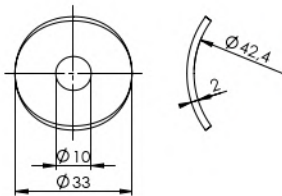


Quality	Finish	art.
AISI316	satın	A14/024-IN-B



Quality	Finish	art.
AISI304	satın	A6/42-20-B

top



Quality	Finish	art.
AISI304	satın	A/1732-033-R25

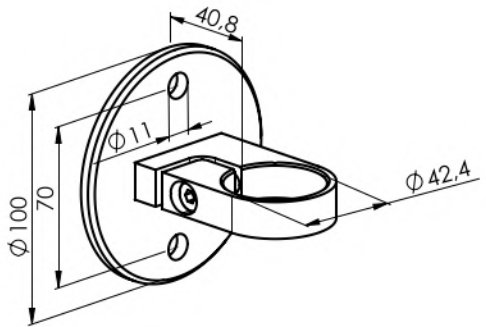
wood

=
+
+
+

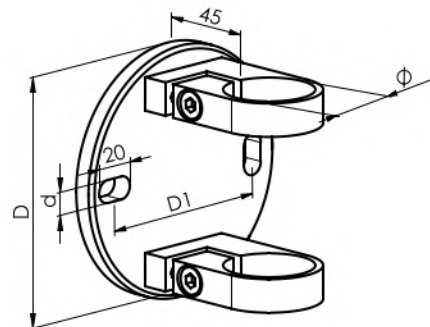
+
+
+

A/1732-033-R25

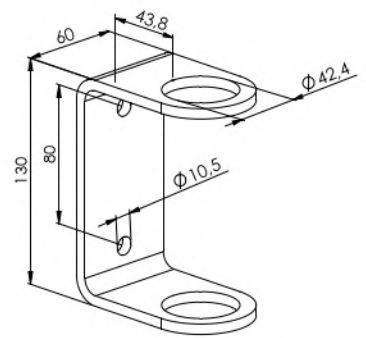
A6/48
A6/021-6-A
A-DIN 7991-A2 M8x110
A-DIN 1587-A2 M8



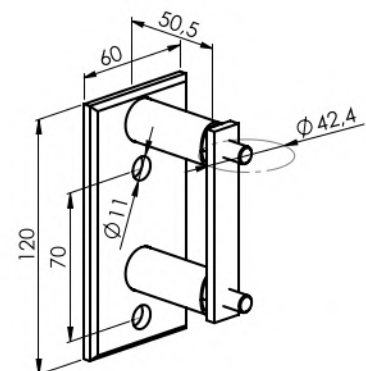
Quality	Finish	art.
AISI304	satın	A6/42



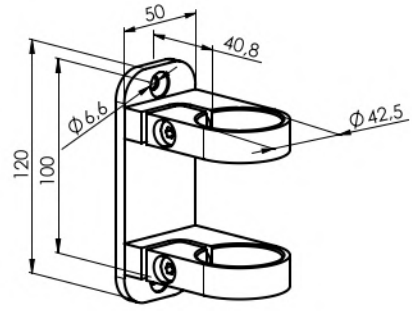
Quality	Finish	∅	art.	D	d
AISI304	satın	42,4	A6/2x42	120	11
AISI316			A14/2x42		
		48,3	A14/2x42-150	150	13



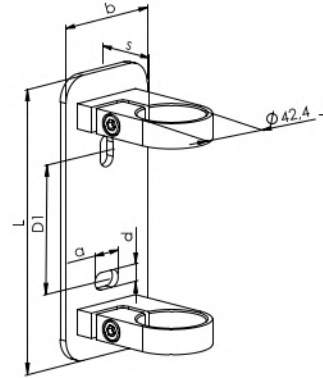
Quality	Finish	art.
AISI304	satın	A6/42-130x60



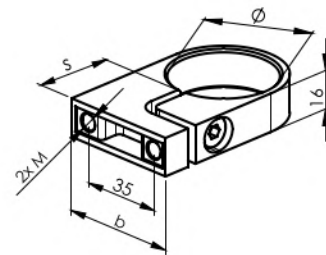
Quality	Finish	art.
AISI304	satın	A6/004-6
	polish	A6/004-6-L



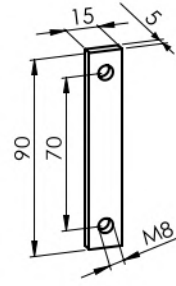
Quality	Finish	art.
AISI304	satin	A6/42-120x50



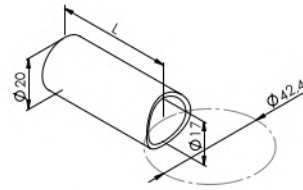
Quality	Finish	art.	L x b	s	d x a	D1
AISI304	satin	A6/42-180x70	180x70	40	11x20	81,5
		A6/42-180x70-B		35		
AISI316		A14/42-135x54	135x54	36	11x13	70




Quality	Finish	Ø	art.	M	s	b
AISI304	satin	33,7	A/3507-033	8	36	46
			A/3507-042			
AISI316	satin	42,4	A14/3507-042	6	35	50
			A14/3507-042-B			
		48,3	A14/3507-048	8		55



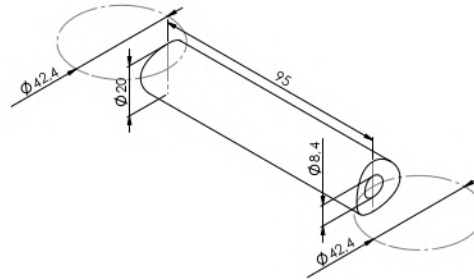
Quality	Finish	art.
AISI316	satın	A14/021-6-plate




Quality	Finish	art.	L
AISI304	satın	A/012-25	25
		A/012-45	45
		A/012-62	62
		A/012-75	75
		A/012-100	100
AISI316		A14/012-45	45

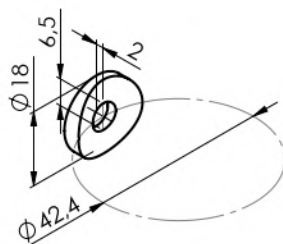
new 

new

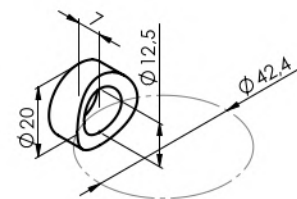


Quality	Finish	art.
AISI304	satın	A/012-95

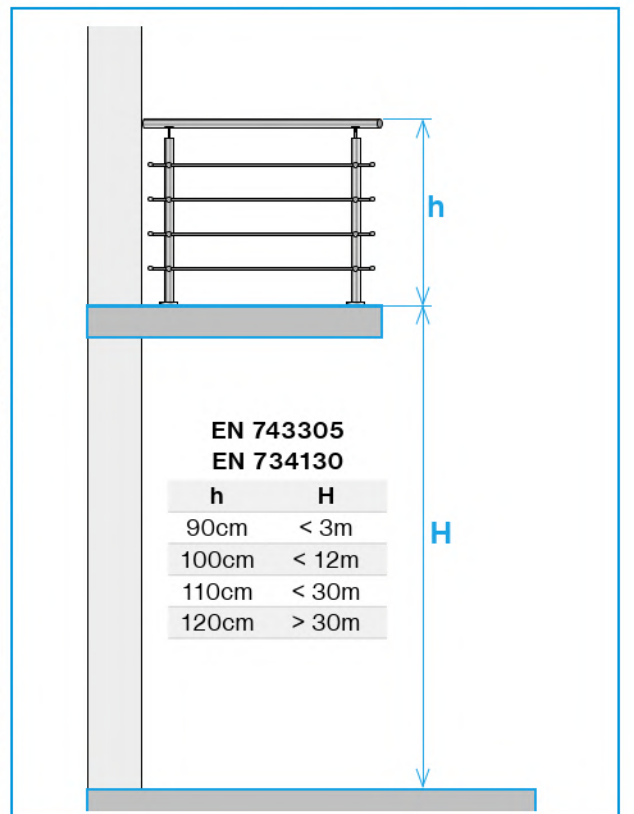


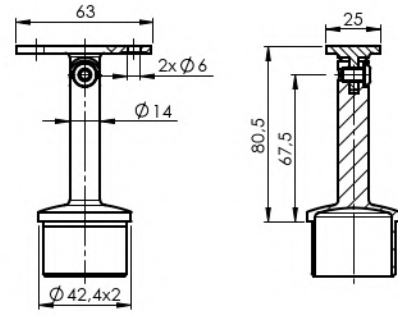


Quality	Finish	art.
AISI316	satın	A14/012-02

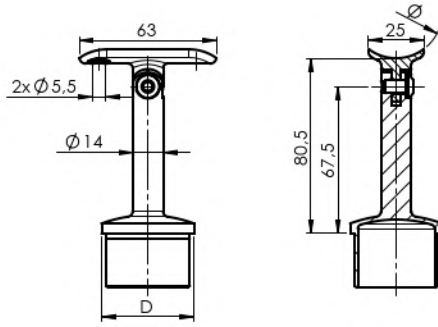


Quality	Finish	art.
AISI304	satın	A/012-07



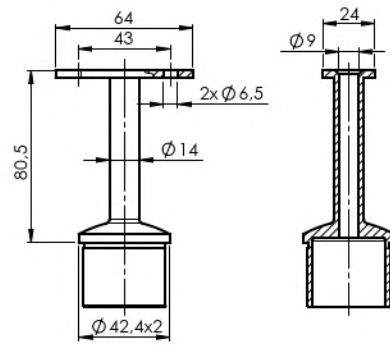


Quality	Finish	art.
AISI304	satın	A/0718-200-B

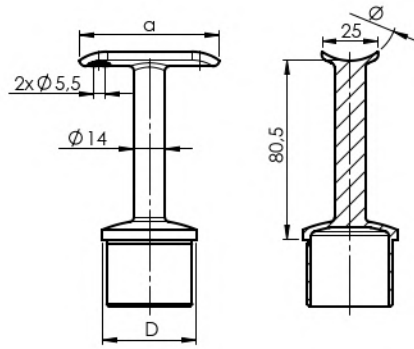


Quality	Finish	Ø	art.	D
AISI304	satın	33,7	A/0717-233	33,7x2,0
		42,4	A/0718-242	42,4x2,0
		48,3	A/0718-248	48,3x2,0
	polish	42,4	A/0718-242-L	42,4x2,0
AISI316	satın	42,4	A14/0718-242	42,4x2,0
		48,3	A14/0719-249	48,3x2,6
	polish	42,4	A14/0718-242-L	42,4x2,0

top

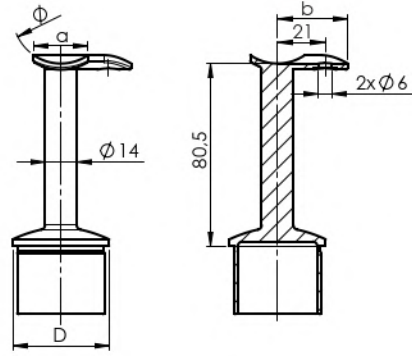


Quality	Finish	art.
AISI304	satın	A/0710-242-LED

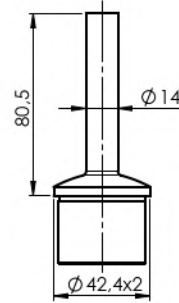


Quality	Finish	Ø	art.	D	a
AISI304	satın		A/0710-242		
	polish	42,4	A/0710-242-L	42,4x2,0	63
AISI316	satın		A14/0710-242		
		48,3	A14/0712-249	48,3x2,6	65
	polish	42,4	A14/0710-242-L	42,4x2,0	63

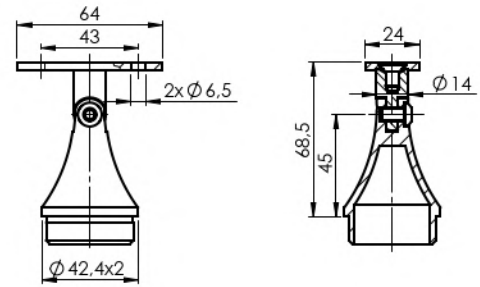
top



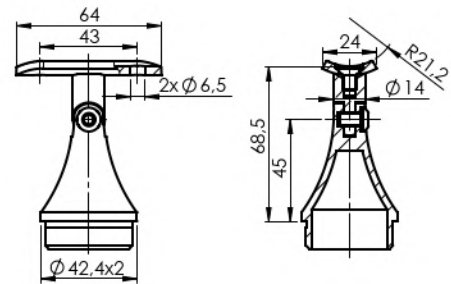
Quality	Finish	Ø	art.	a	b	D
AISI304	satin	42,4	A/0711-842	24	31	42,4x2,0
			A/0710-842			
	polish		A/0710-842-B	26,5	36,7	
			A/0710-842-L	24	31	
AISI316	satin	A14/0710-842	24			31
		A14/0712-849		48,3		
	polish	42,4	A14/0710-842-L			42,4x2,0



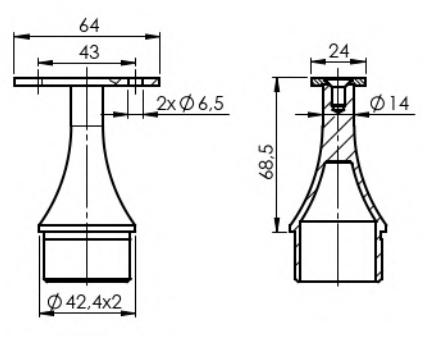
Quality	Finish	art.
AISI304	satin	A/0700-042



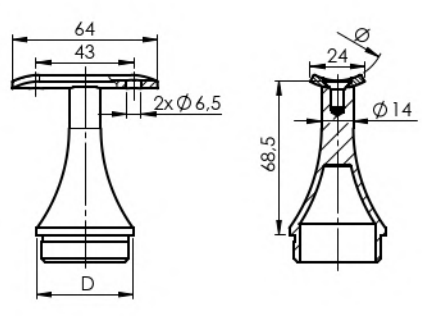
Quality	Finish	art.
AISI304	satin	A/0716-000



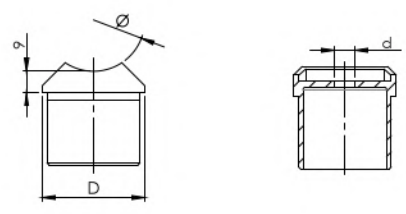
Quality	Finish	art.
AISI304	satin	A/0716-242



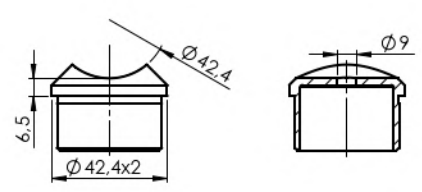
Quality	Finish	art.
AISI304	satin	A/0713-000



Quality	Finish	∅	art.	D
AISI304	satin	42,4	A/0713-242	42,4x2,0
		48,3	A/0713-248	48,3x2,0

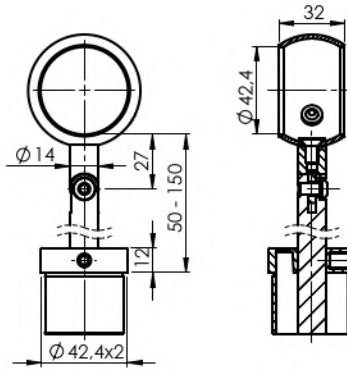


Quality	Finish	∅	art.	D	d
AISI304	satin	42,4	A/0727-233	33,7x2,0	7
			A/0727-242-C		
AISI316	satin	42,4	A14/0727-042-L	42,4x2,0	8,5
			A14/0729-249		

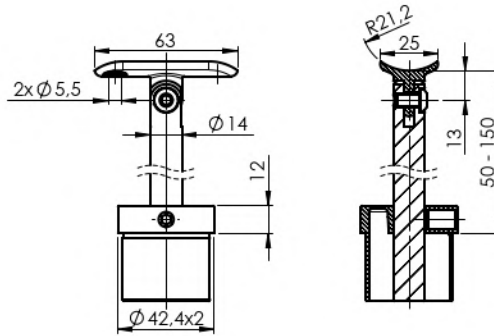


Quality	Finish	art.
AISI304	satin	A/0727-242-S
	polish	A/0727-042-S-L

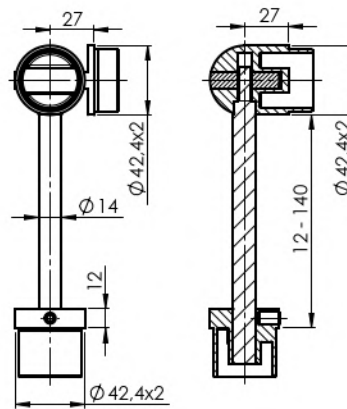
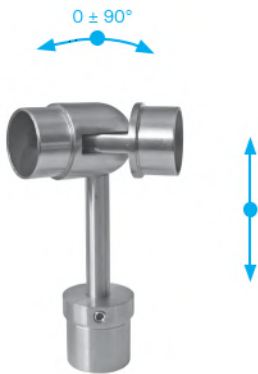
top



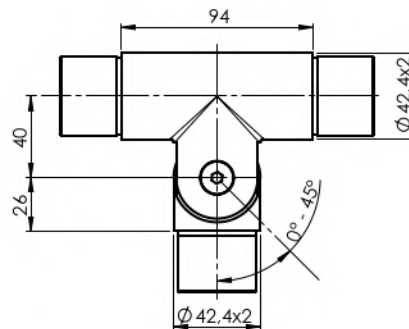
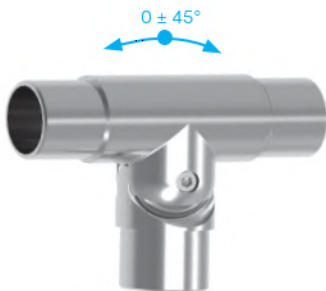
Quality	Finish	art.
AISI304	satın	A/0714-042



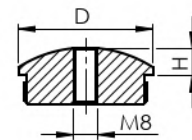
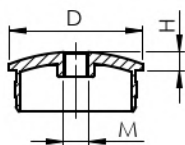
Quality	Finish	art.
AISI304	satın	A/0715-242



Quality	Finish	art.
AISI304	satın	A/0720-242
		A14/0720-242



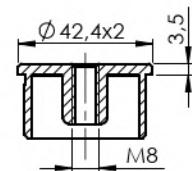
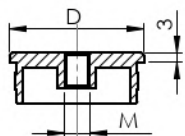
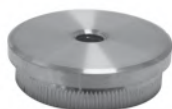
Quality	Finish	art.
AISI304	satın	A/0722-242



Quality	Finish	D	art.	H	M
AISI304	satin	33,7x2,0	A/5735-233-R	4	8
			A/5735-242		10
	polish	42,4x2,0	A/5735-242-R	6	
			A/5735-242-R-L		
AISI316	satin	48,3x2,0	A/5735-248-R	8	8
			A/5735-248-R1		
	polish	42,4x2,0	A14/5735-242-R	6	
		48,3x2,6	A14/5735-249	8,5	

top

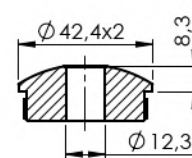
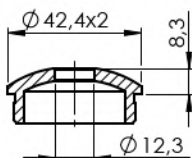
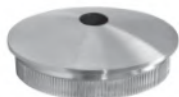
Quality	Finish	D	art.	H
AISI304	satin	33,7x2,0	A/5734-233	7
			A/5734-233-B	5
		42,4x2,0	A/5734-242	8,5
			A/5734-243	7
		48,3x2,0	A/5734-248	8,5



Quality	Finish	D	art.	M
AISI304	satin	33,7x2,0	A/5736-233	8
			A/5736-242	
	polish	42,4x2,0	A/5736-242-M10	10
AISI316	satin	48,3x2,0	A/5736-248	8
		42,4x2,0	A14/5736-242	

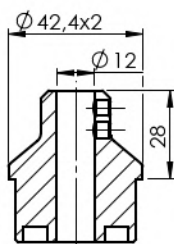
top

Quality	Finish	art.
AISI304	satin	A/5737-242

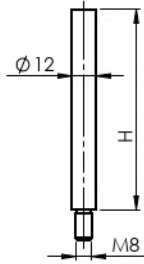


Quality	Finish	art.
AISI304	satin	A/5738-242-12

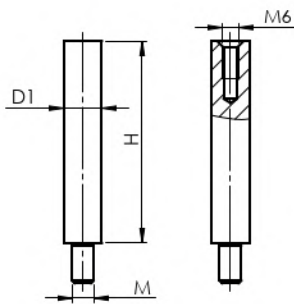
Quality	Finish	art.
AISI304	satin	A/5740-242-12



Quality	Finish	art.
AISI304	satin	A/5739-242



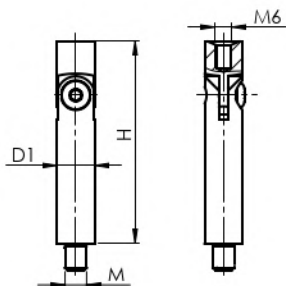
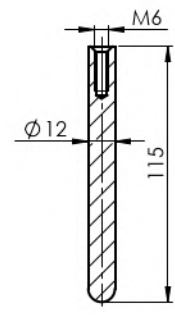
Quality	Finish	art.	H
AISI304	satin	A/0813-075-12Z	75
	polish	A/0813-075-12Z-L	
AISI316	satin	A/0813-100-12Z	100
		A/0813-120-12Z	120
		A14/0813-100-12Z	100



Quality	Finish	art.	D1	H	M
AISI304	satin	A/0811-068	14	68	10
		A/0811-068-S1		75	
	polish	A/0811-068-S1-L	12	68	8
		A/0811-068-S2		68	
AISI316	satin	A/0811-075-12S	14	75	8
		A/0811-120-12S		120	
		A14/0811-068-S1	75		
		A14/0811-068-S2	68		

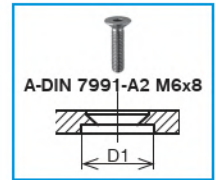
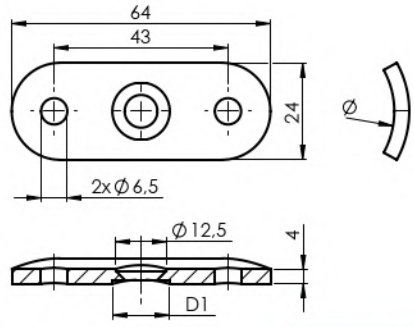
top

Quality	Finish	art.
AISI304	satin	A/0814-115-M6



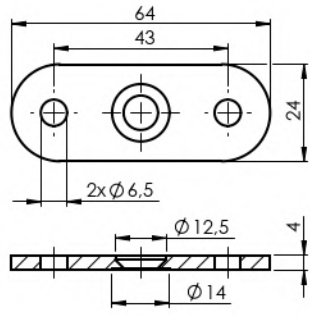
Quality	Finish	art.	D1	H	M
AISI304	satin	A/0812-068	14	68	10
		A/0812-068-S		12	
	polish	A/0812-068-S1	14	75	8
		A/0812-068-S1-L		68	
AISI316	satin	A/0812-068-M5-S	12	75	8
		A/0812-075		100	
		A14/0812-068-S1	75		

top

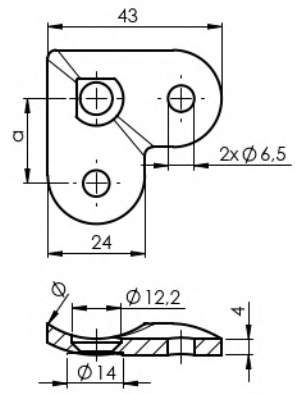


Quality	Finish	Ø	art.	D1
AISI304	satin	33,7	A/1800-033	14
		42,4	A/1800-042	
		48,3	A/1800-048	
AISI316	satin	42,4	A/1800-042-L	14
		48,3	A14/1800-048	

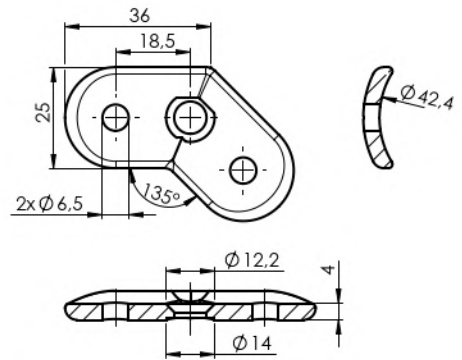
top



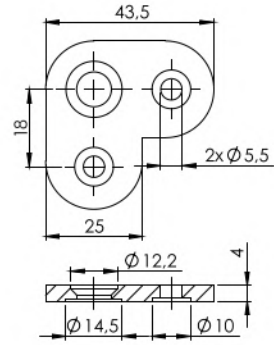
Quality	Finish	art.
AISI304	satin	A/1800-000
AISI316		A14/1800-000



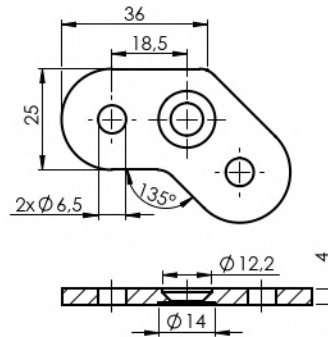
Quality	Finish	Ø	art.	a	flush angle
AISI304	satin	42,4	A/1890-042	21	A/0301...
		48,3	A/1890-048		
AISI316	satin	42,4	A14/1890-042	23	A/0303...
		48,3	A14/1890-048		



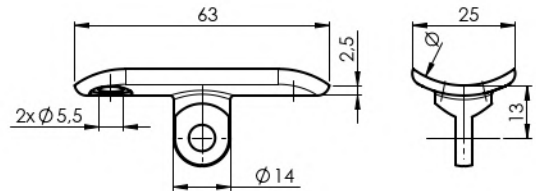
Quality	Finish	art.	flush angle
AISI316	satin	A14/1870-042	A/0300...
		A14/1870-042-B	



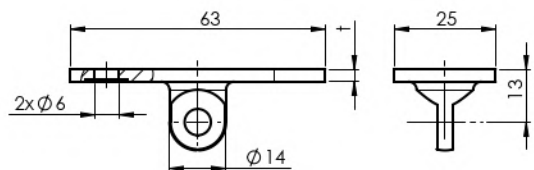
Quality	Finish	art.	flush angle
AISI304	satın	A/1890-000-B	A/0303...



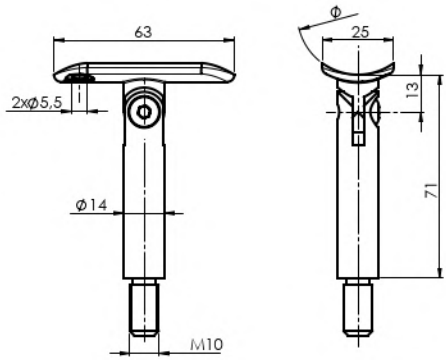
Quality	Finish	art.
AISI316	satın	A14/1870-000



Quality	Finish	Ø	art.
AISI304	satın	33,7	A/1800-233
		42,4	A/1800-242
		48,3	A/1800-248
AISI316		42,4	A14/1800-242

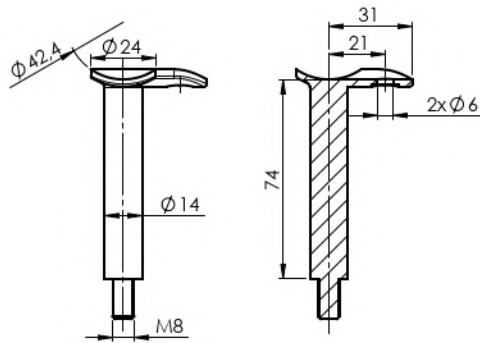


Quality	Finish	art.	t
AISI304	satın	A/1800-200	3
AISI316		A14/1800-200	
		A14/1800-200-B	5

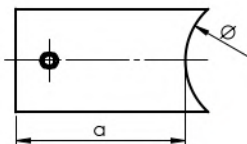
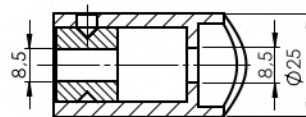


Quality	Finish	∅	art.
AISI304	satin	flat	A/0818-000-B
		42,4	A/0818-042
	polish	48,3	A/0818-048
		flat	A/0818-000-L
AISI316	satin	42,4	A/0818-042-B-L
			A14/0818-042-B

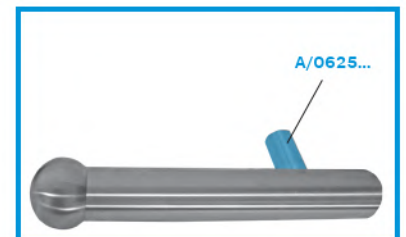
top

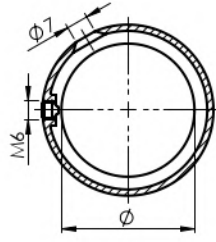
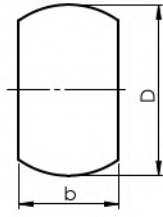


Quality	Finish	art.	flush angle
AISI304	satin	A/0810-942	A/0303...



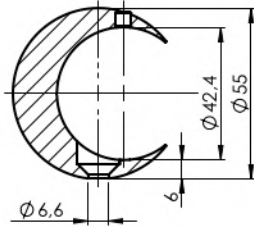
Quality	Finish	∅	art.	a
AISI304	satin	33,7	A/0625-033	41
		42,4	A/0625-042	43



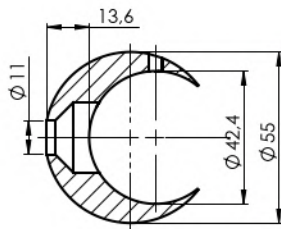


Quality	Finish	Ø	art.	D	b
AISI304	satin	33,7	A6/33-55-35-B	44,5	28
		42,4	A6/42-55-35-B	55	32


top



Quality	Finish	art.
AISI316	satin	A14/42-55-C



Quality	Finish	art.
AISI316	satin	A14/42-55


A-DIN 7991-A2 M6x8

+

A/1800-0...

A/1890-0...

A14/42-55-C

A6/42-55-35-B

A14/42-55

+

A/0811...

A/0812...

+

A/5734-242

A/5735-242-R

A/5736-242

A/5737-242

2

INFILL HOLDERS





GLASS HOLDERS



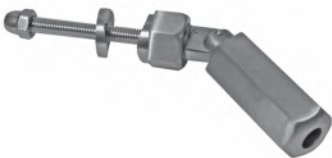
PLATE HOLDERS



BAR / TUBE HOLDERS



VERTICAL HOLDERS



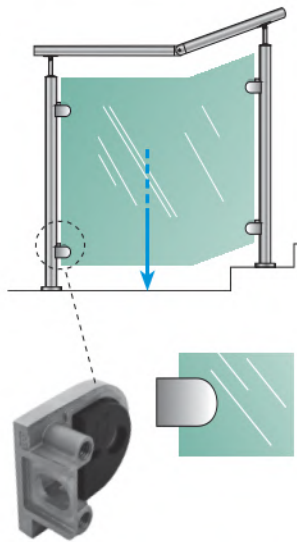
CABLE HOLDERS



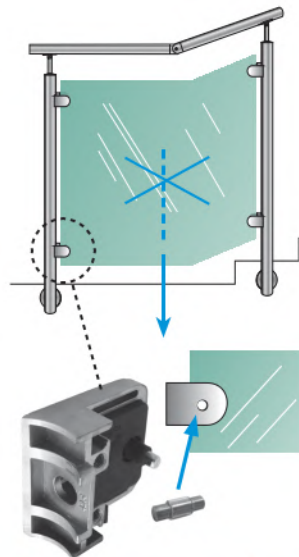
CABLE MESH HOLDERS

GLASS HOLDERS

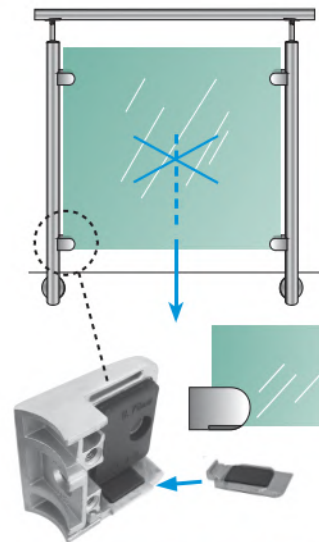




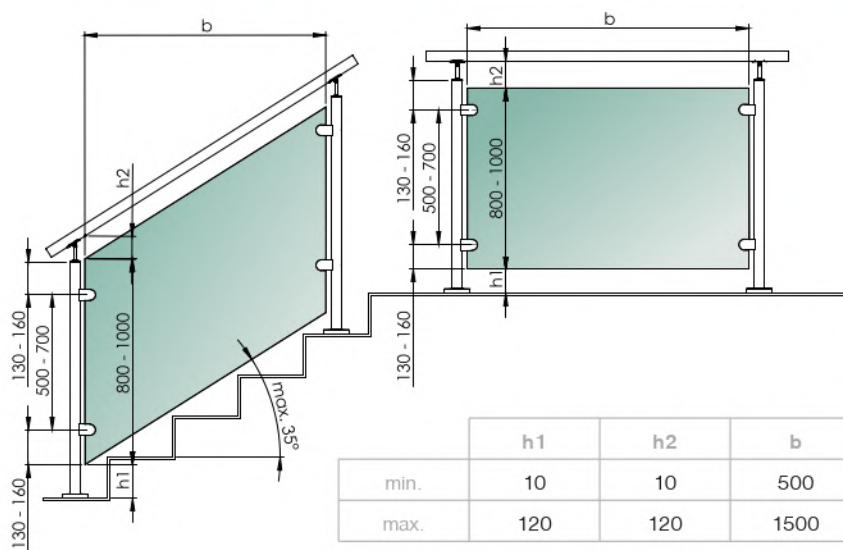
ANCHOR SYSTEM G1



ANCHOR SYSTEM G2



ANCHOR SYSTEM G3



GLASS CLAMPS AXIAL

ANCHOR SYSTEM G1

MAX (kN/m ²)		b (mm)					
		500	750	1000	1250	1500	
Glass VSG/ESG t (mm)	8,76	2,5	1,5	0,5	0,5	0,5	
	10,76		2	1			
	12,76		2,5	2	1		
	16,76		2,5				1,5
	17,52		2,5				1,5

ANCHOR SYSTEM G2

ANCHOR SYSTEM G3

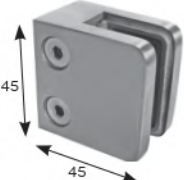
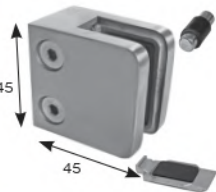

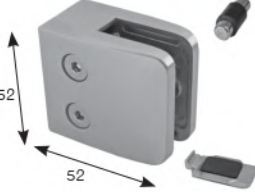
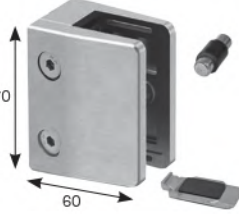
MAX (kN/m ²)		b (mm)					
		500	750	1000	1250	1500	
Glass VSG/ESG t (mm)	8,76	2,5	1	0,5			
	10,76		1,5	1			
	12,76		2,5	1,5	1,5	1	0,5
	16,76				2,5	2	1
	17,52		2,5			2	1

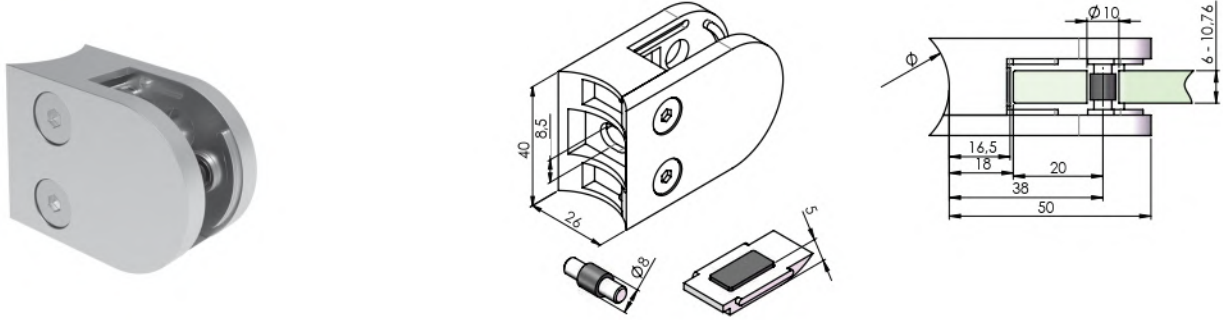
*Uvedené hodnoty sú orientačné nakoľko technické normy sa v jednotlivých krajinách líšia. Pri návrhu zabraďlia je potrebné zohľadniť aj ďalšie faktory ako je veterná zóna, účel stavby, hĺbka prepadu, kotvenie stĺpika, typ stĺpika (test zaťaženia)...

*The values given are just informative because the technical standards vary from country to country. When designing railings, other factors have to be taken in consideration such as wind zone, purpose of construction, depth of overflow, post anchorage, post railing type (load test)...

MODEL	MODEL	anchor system			plate t						glass t											
		G1	G2	G3	1,5	2	3	4	6	6,76	8	8,76	10	10,76	12	12,76	13,52	16,76	17,52	20,76	21,52	
20*		✓	✓		■	■	■		■	■	■	■	■									
200P		✓	✓		■	■	■		■	■	■	■	■									
22PL											■											
22*		✓	✓		■	■	■				■	■	■	■								
25*	 	✓	✓						■	■	■	■	■	■	■							
250P*	 	✓	✓	✓					■	■	■	■	■	■	■							
25FX		✓	✓	✓					6-8,76			10-12,76										
28		✓						■	■		■											

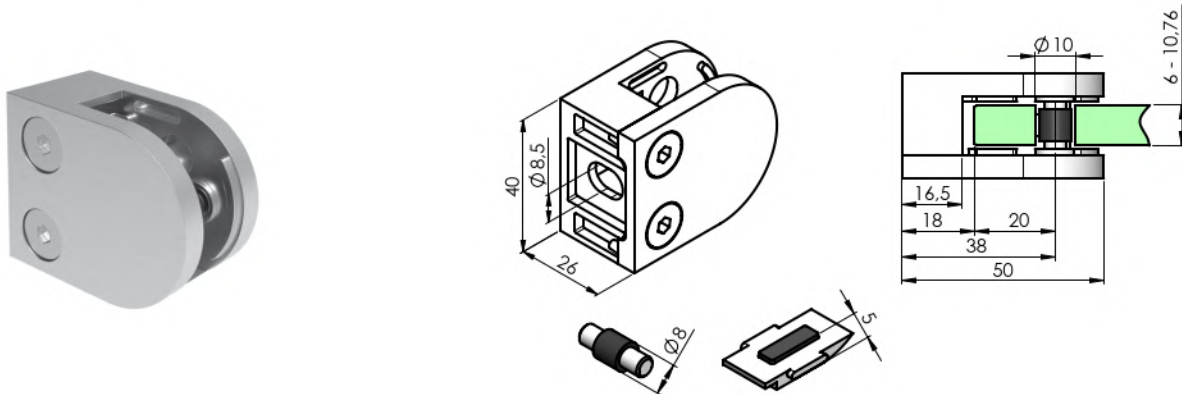
* - SET4 pack is in disassembled state
 * - Balenie SET4 je dodávané v rozobratom stave

MODEL	MODEL	anchor system			plate t			glass t													
		G1	G2	G3	1,5	2	3	4	6	6,76	8	8,76	10	10,76	12	12,76	13,52	16,76	17,52	20,76	21,52
21*					■	■	■		■	■	■	■	■								
23*									■	■	■	■	■								
230P*									■	■	■	■	■								
23KP*											■	■	■	■							
24*															■	■	■	■	■		
26*											■	■	■	■	■						
27																				■	■
29								■	■		■										



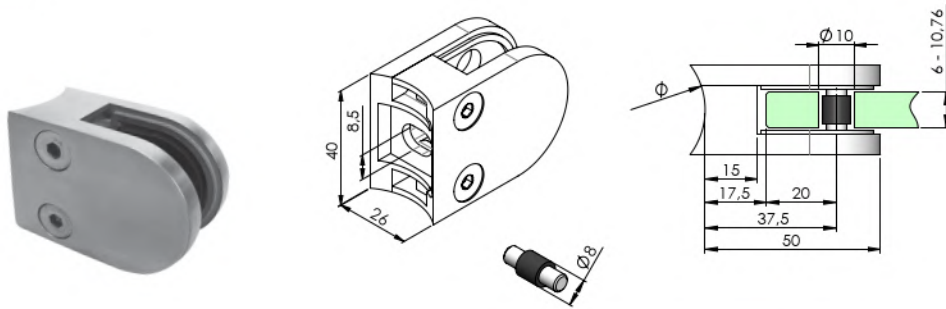
Quality	Finish	art.	∅	90°				Test
AISI304	satın	A/200P-042	42,4	✓	1x	A-DIN 912-A2 M8x20	A19/04-PVC	 GAMIN





	plate t			glass t					
	1,5	2	3	6	6,76	8	8,76	10	10,76
	A19/20-0015	A19/20-002	A19/20-003	A19/20-006	A19/20-007	A19/20-008	A19/20-009	A19/20-010	A19/20-011



Quality	Finish	art.				Test
AISI304	satın	A/200P-000	1x	A-DIN 912-A2 M8x20	A19/04-PVC	 GAMIN

	plate t			glass t					
	1,5	2	3	6	6,76	8	8,76	10	10,76
	A19/20-0015	A19/20-002	A19/20-003	A19/20-006	A19/20-007	A19/20-008	A19/20-009	A19/20-010	A19/20-011




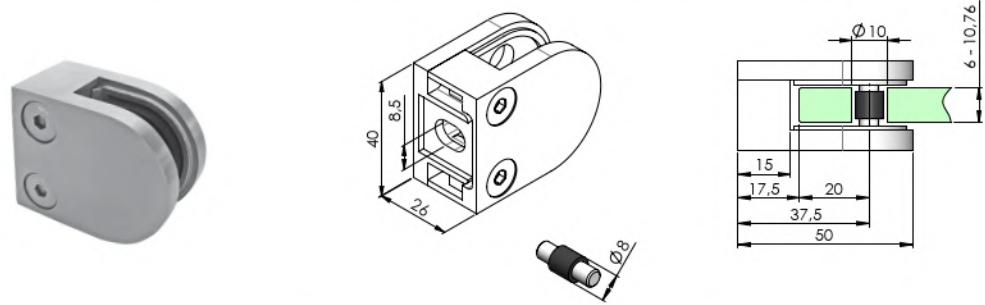
Quality	Finish	art.	∅					Test	
						A-DIN 912-A2 M8x20	A19/04-PVC		
AISI304	satin	A/2000-033	33,7						
		A/2000-042	42,4	✓	1x				
		A/2000-042-set4				4x	4x	8x	
		A/2000-048	48,3						
	polish	A/2000-042-L	42,4		✓				
		A/2000-048-L	48,3						
AISI316	satin	A14/2000-033	33,7						
		A14/2000-042	42,4		1x				
		A14/2000-048	48,3						
	polish	A14/2000-033-L	33,7		✓				
		A14/2000-042-L	42,4						
		A14/2000-048-L	48,3						




top




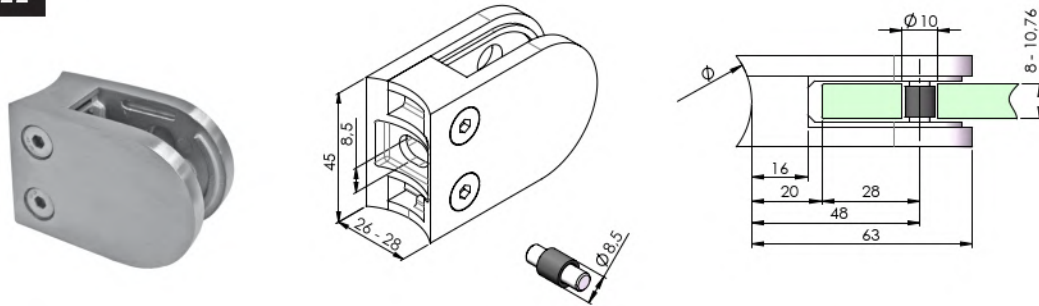
ZAMAK	raw	ZN/2000-033	33,7					
		ZN/2000-042	42,4					
	satin	ZN-SATIN/2000-042	42,4	✓	1x			
	polish	ZN-POLISH/2000-042	42,4					

	plate t			glass t					
	1,5	2	3	6	6,76	8	8,76	10	10,76
	A19/20-0015	A19/20-002	A19/20-003	A19/20-006	A19/20-007	A19/20-008	A19/20-009	A19/20-010	A19/20-011



Quality	Finish	art.				Test
				A-DIN 912-A2 M8x20	A19/04-PVC	
AISI304	satin	A/2000-000	1x			
		A/2000-000-set4	4x	4x	8x	
	polish	A/2000-000-L				
AISI316	satin	A14/2000-000	1x			
	polish	A14/2000-000-L				
ZAMAK	raw	ZN/2000-000	1x			
	polish	ZN-POLISH/2000-000				

	plate t			glass t					
	1,5	2	3	6	6,76	8	8,76	10	10,76
	A19/20-0015	A19/20-002	A19/20-003	A19/20-006	A19/20-007	A19/20-008	A19/20-009	A19/20-010	A19/20-011



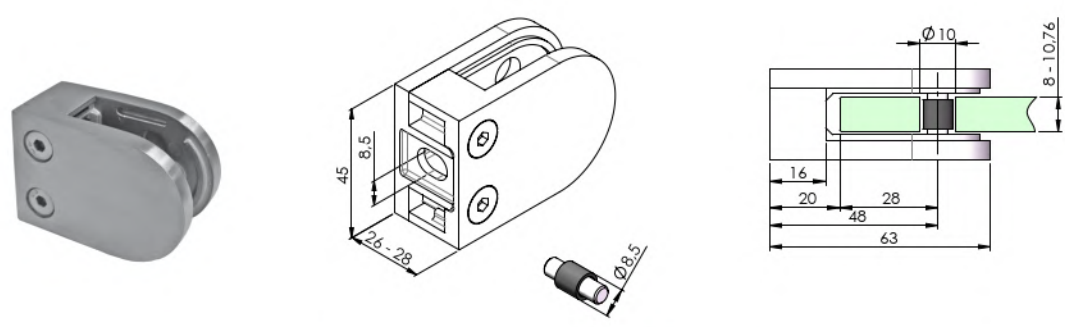
Quality	Finish	art.	∅					Test
						A-DIN 912-A2 M8x20	A19/04-PVC	
AISI304	satin	A/2200-042			1x			
		A/2200-042-SCREW	42,4		1x	1x		
		A/2200-042-set4			4x	4x	8x	
		A/2200-048	48,3		1x			
	A/2200-048-set4			4x	4x	8x		
	polish	A/2200-042-L	42,4		✓	1x		
A/2200-048-L		48,3						
AISI316	satin	A14/2200-042	42,4					
		A14/2200-042-set4			4x	4x	8x	
		A14/2200-048	48,3		1x			
	polish	A14/2200-042-L	42,4					
		A14/2200-042-L-set4			4x	4x	8x	
		A14/2200-048-L	48,3		1x			
ZAMAK	raw	ZN/2200-042	42,4	✓	1x			
	satin	ZN-SATIN/2200-042						

top



GAMIN

	plate t			glass t			
	1,5	2	3	8	8,76	10	10,76
	A19/22-0015	A19/22-002	A19/22-003	A19/22-008	A19/22-009	A19/22-010	A19/22-011



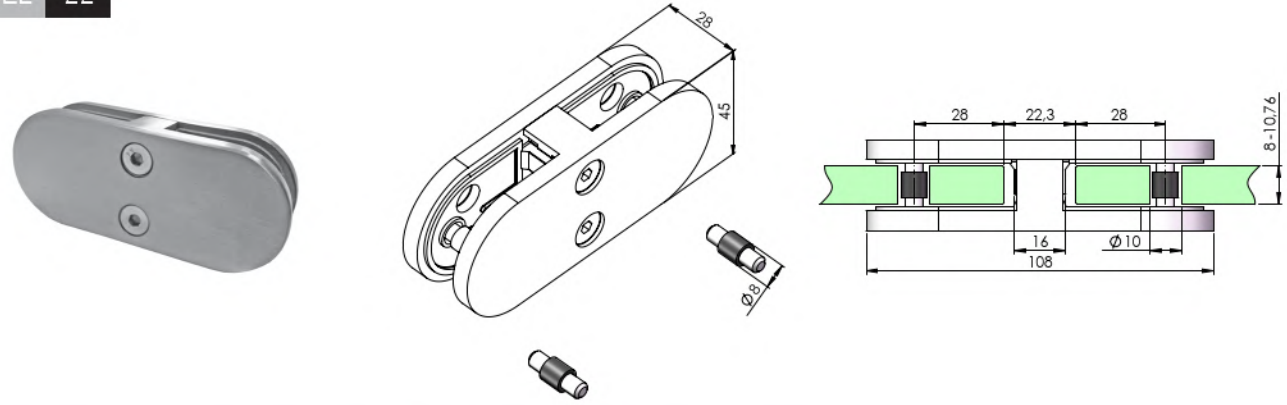
Quality	Finish	art.				Test
				A-DIN 912-A2 M8x20	A19/04-PVC	
AISI304	satin	A/2200-000	1x			
		A/2200-000-set4	4x	4x	8x	
	polish	A/2200-000-L	1x			
AISI316	satin	A14/2200-000				
		A14/2200-000-set4	4x	4x	8x	
	polish	A14/2200-000-L	1x			
		A14/2200-000-L-set4	4x	4x	8x	
ALUMINIUM	natural	AL/2200-000	1x			
ZAMAK	raw	ZN/2200-000	1x			






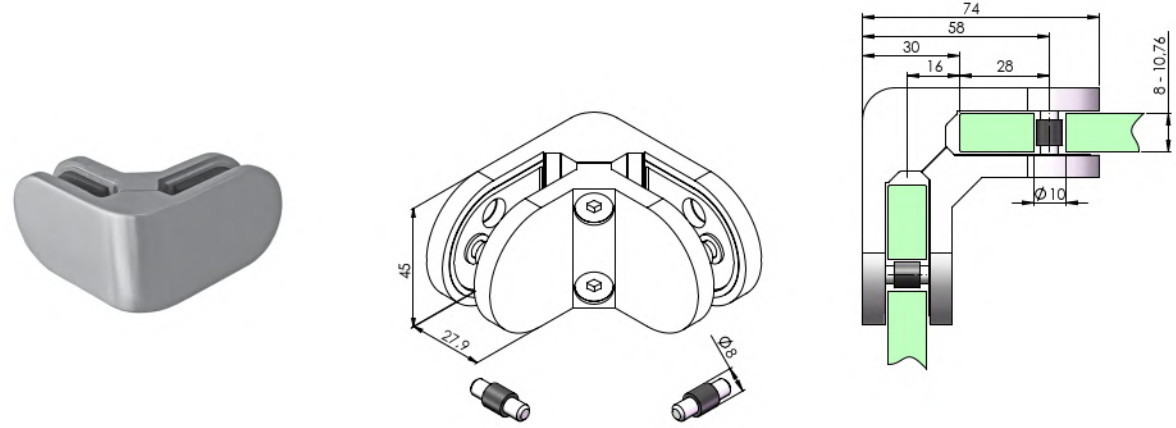
GAMIN




	plate t			glass t			
	1,5	2	3	8	8,76	10	10,76
	A19/22-0015	A19/22-002	A19/22-003	A19/22-008	A19/22-009	A19/22-010	A19/22-011

MODEL 22

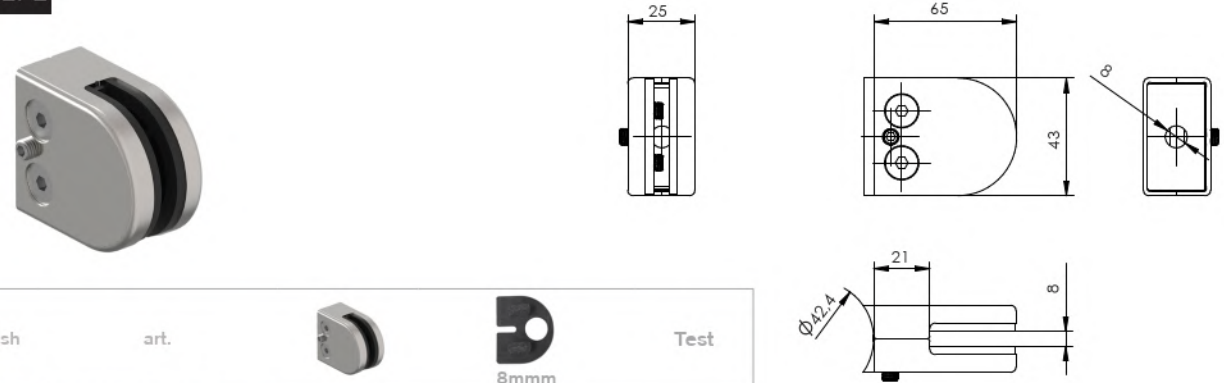




Quality	Finish	art.			Test		
AISI316	satın	A14/2200-700	1x	A19/04-PVC	GAMIN		
	plate t			glass t			
	1,5	2	3	8	8,76	10	10,76
	A19/22-0015	A19/22-002	A19/22-003	A19/22-008	A19/22-009	A19/22-010	A19/22-011

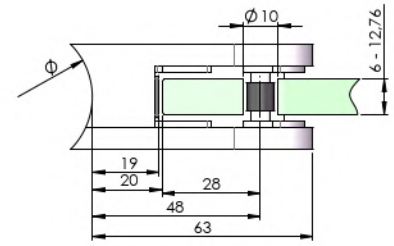
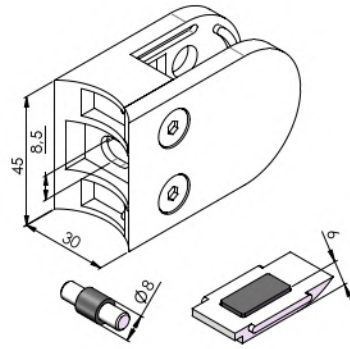


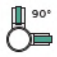





Quality	Finish	art.			Test		
AISI316	satın	A14/2200-900-B	1x	A19/04-PVC	GAMIN		
	plate t			glass t			
	1,5	2	3	8	8,76	10	10,76
	A19/22-0015	A19/22-002	A19/22-003	A19/22-008	A19/22-009	A19/22-010	A19/22-011


MODEL 22PL

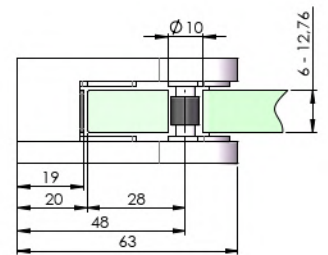
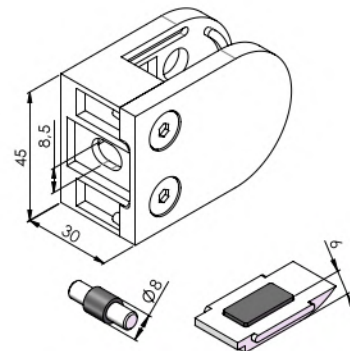




Quality	Finish	art.			Test
AISI304	satın	A/22PL-000 set T8mm	1x	8mm	2x




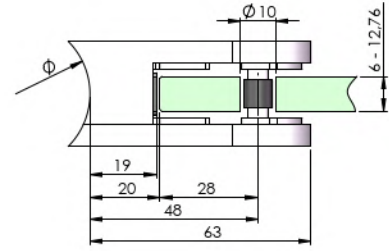
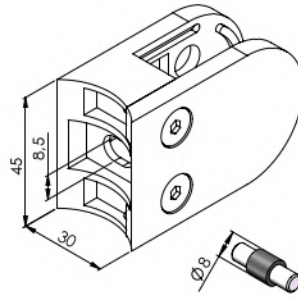
Quality	Finish	art.	Ø					Test
AISI304	satin	A/250P-042	42,4	✓	1x			 
		A/250P-042-set4			4x	4x	8x	
ZAMAK	raw	ZN/250P-042	42,4	✓	1x			







	glass t							
	6	6,76	8	8,76	10	10,76	12	12,76
	A19/25-006	A19/25-007	A19/25-008	A19/25-009	A19/25-010	A19/25-011	A19/25-012	A19/25-013



Quality	Finish	art.				Test
AISI304	satin	A/250P-000	1x			 
		A/250P-000-set4	4x	4x	8x	
ZAMAK	raw	ZN/250P-000	1x			

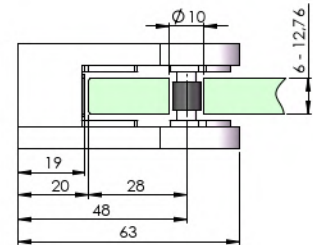
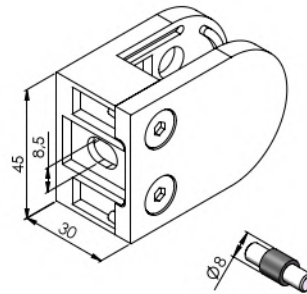
	glass t							
	6	6,76	8	8,76	10	10,76	12	12,76
	A19/25-006	A19/25-007	A19/25-008	A19/25-009	A19/25-010	A19/25-011	A19/25-012	A19/25-013





Quality	Finish	art.	∅					Test
						A-DIN 912-A2 M8x20	A19/04-PVC	
AISI304	satin	A/2500-042	42,4		1x			 
		A/2500-048			1x			
		A/2500-048-set4	48,3		4x	4x	8x	
AISI316	polish	A14/2500-042	42,4	✓	1x			
		A14/2500-048	48,3					
		A14/2500-042-L	42,4		1x			

top

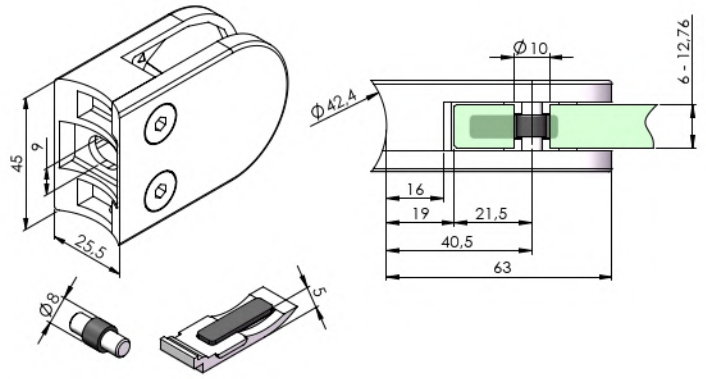
	glass t							
	6	6,76	8	8,76	10	10,76	12	12,76
	A19/25-006	A19/25-007	A19/25-008	A19/25-009	A19/25-010	A19/25-011	A19/25-012	A19/25-013



Quality	Finish	art.				Test
				A-DIN 912-A2 M8x20	A19/04-PVC	
AISI304	satin	A/2500-000	1x			 
		A/2500-000-set4	4x	4x	8x	
AISI316		A14/2500-000	1x			
ZAMAK	raw	ZN/2500-000	1x			

	glass t							
	6	6,76	8	8,76	10	10,76	12	12,76
	A19/25-006	A19/25-007	A19/25-008	A19/25-009	A19/25-010	A19/25-011	A19/25-012	A19/25-013

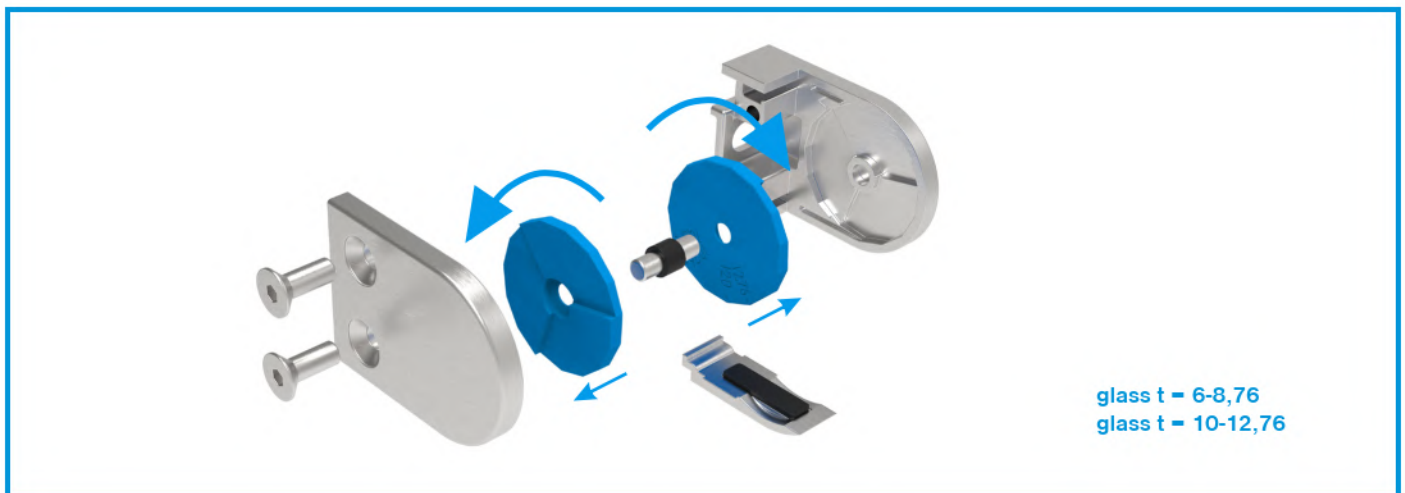
MODEL 25FX



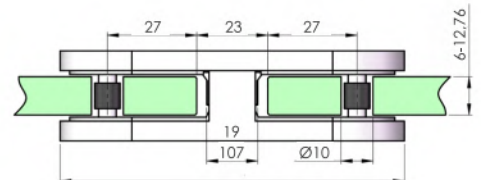
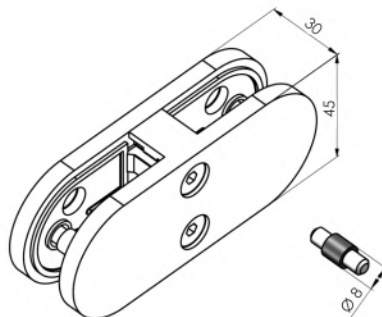
2
INFILL HOLDERS

Quality	Finish	art.	art.	
AISI304	satın	A/25FX-042	1x	A-DIN 912-A2 M5x20 <i>new</i>

glass t	glass t				glass t			
	6	6,76	8	8,76	10	10,76	12	12,76
	A19/25-F06/F09				A19/25-F10/F13			



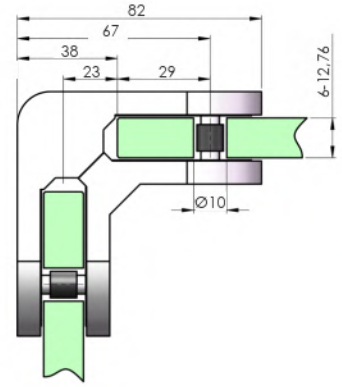
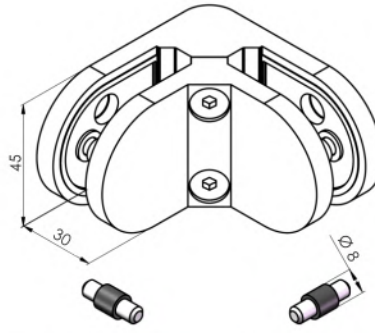
MODEL 25




Quality	Finish	art.	art.	Test
AISI316	satın	A14/2500-700	1x	A19/04-PVC GAMIN

glass t	glass t							
	6	6,76	8	8,76	10	10,76	12	12,76
	A19/25-006	A19/25-007	A19/25-008	A19/25-009	A19/25-010	A19/25-011	A19/25-012	A19/25-013

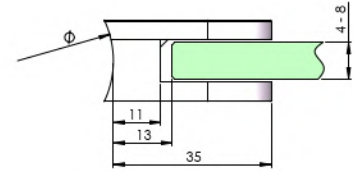
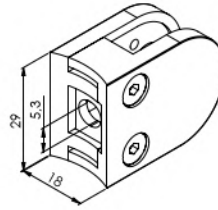
MODEL 25







Quality	Finish	art.			Test
AISI316	satın	A14/2500-900	1x	A19/04-PVC	GAMIN

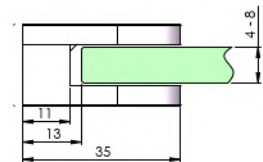
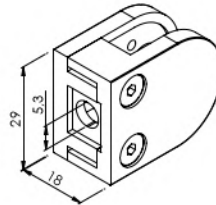
	6	6,76	8	8,76	10	10,76	12	12,76
	A19/25-006	A19/25-007	A19/25-008	A19/25-009	A19/25-010	A19/25-011	A19/25-012	A19/25-013

MODEL 28



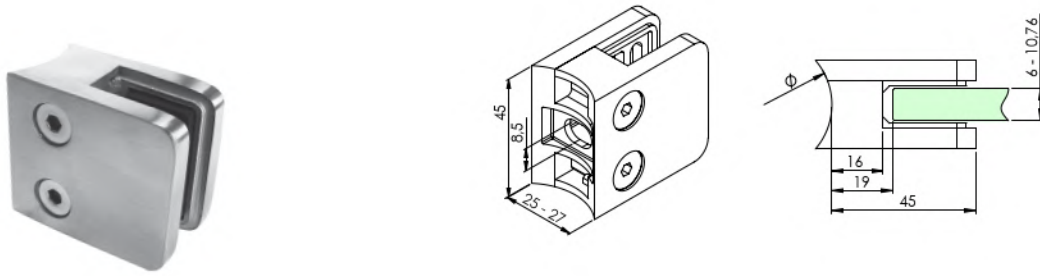
Quality	Finish	art.	Ø				Test
AISI304	satın	A/2800-033	33,7	✓	1x	A-DIN 912-A2 M5x20	GAMIN
		A/2800-042	42,4				



	glass t		
	4	6	8
	A19/28-004	A19/28-006	A19/28-008




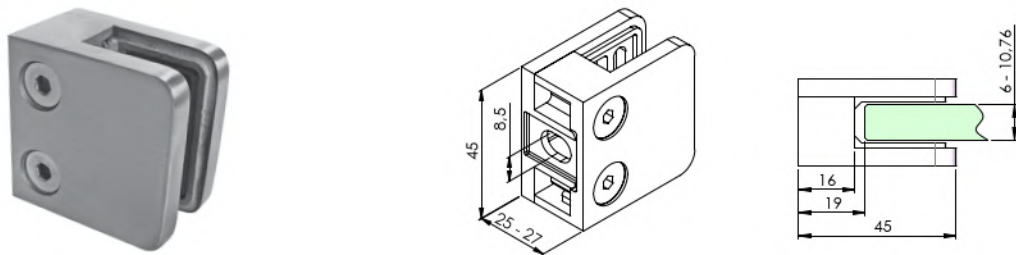
Quality	Finish	art.			Test
AISI304	satın	A/2800-000	1x	A-DIN 912-A2 M5x20	GAMIN





	glass t		
	4	6	8
	A19/28-004	A19/28-006	A19/28-008




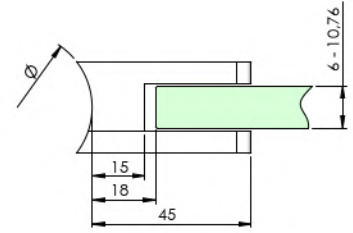
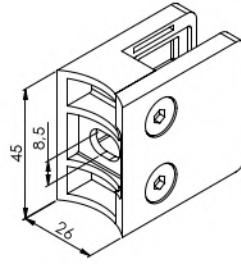
Quality	Finish	art.	∅					Test
						A-DIN 912-A2 M8x20	A19/04-PVC	
AISI304	satin	A/2100-033	33,7	-	1x			 GAMIN
		A/2100-042	42,4					
	A/2100-042-set4		42,4	✓	4x	4x	8x	
	polish	A/2100-048	48,3					
AISI316	satin	A/2100-042-L	42,4					
		A/2100-042-L	42,4					
	polish	A14/2100-033	33,7		1x			
		A14/2100-042	42,4					
ZAMAK	raw	ZN/2100-042	42,4	✓	1x			
	polish	ZN-POLISH/2100-042						







	plate t			glass t					
	1,5	2	3	6	6,76	8	8,76	10	10,76
	A19/21-0015	A19/21-002	A19/21-003	A19/21-006	A19/21-007	A19/21-008	A19/21-009	A19/21-010	A19/21-011




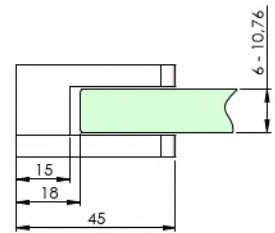
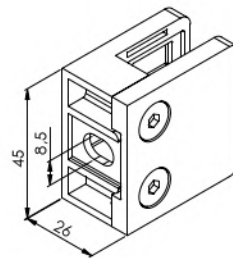
Quality	Finish	art.				Test
				A-DIN 912-A2 M8x20	A19/04-PVC	
AISI304	satin	A/2100-000	1x			 GAMIN
		A/2100-000-set4	4x	4x	8x	
	polish	A/2100-000-L				
AISI316	satin	A14/2100-000	1x			
	polish	A14/2100-000-L				
ZAMAK	raw	ZN/2100-000	1x			
	polish	ZN-POLISH/2100-000				






	plate t			glass t					
	1,5	2	3	6	6,76	8	8,76	10	10,76
	A19/21-0015	A19/21-002	A19/21-003	A19/21-006	A19/21-007	A19/21-008	A19/21-009	A19/21-010	A19/21-011



Quality	Finish	art.	∅					Test	
AISI304	satın	A/2300-042	42,4	✓	1x	A-DIN 912-A2 M8x20 A19/04-PVC		 	
		A/2300-042-set4			4x	4x	8x		
	polish	A/2300-042-L							
AISI316	satın	A14/2300-042					1x		
	polish	A14/2300-042-L							

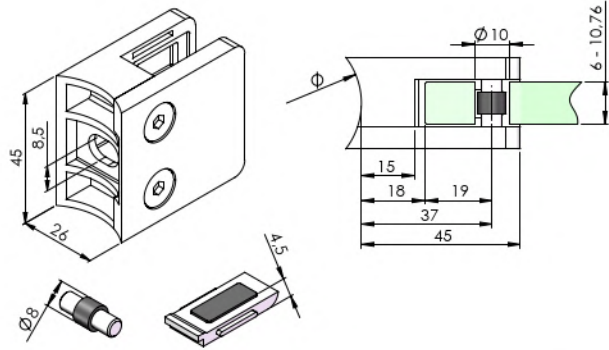
	glass t					
	6	6,76	8	8,76	10	10,76
	A19/23-P06/K08	A19/23-P07/K09	A19/23-P08/K10	A19/23-P09/K11	A19/23-P10/K12	A19/23-P11/K13









Quality	Finish	art.				Test
AISI304	satın	A/2300-000	1x	A-DIN 912-A2 M8x20 A19/04-PVC		 
		A/2300-000-set4	4x	4x	8x	
	polish	A/2300-000-L				
AISI316	satın	A14/2300-000	1x			
	polish	A14/2300-000-L				
ALUMINIUM	natural	AL/2300-000	1x			
ZAMAK	raw	ZN/2300-000	1x			

top


	glass t					
	6	6,76	8	8,76	10	10,76
	A19/23-P06/K08	A19/23-P07/K09	A19/23-P08/K10	A19/23-P09/K11	A19/23-P10/K12	A19/23-P11/K13

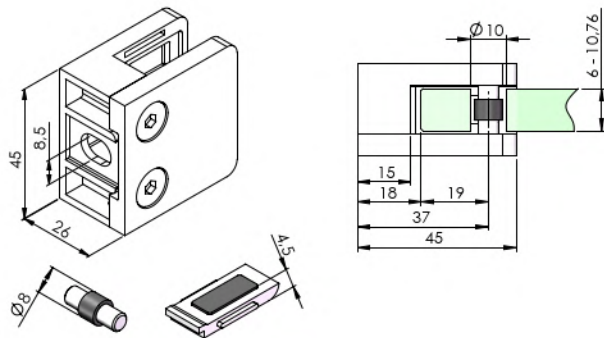







Quality	Finish	art.	Ø					Test
AISI304	satin	A/230P-033	33,7	-	1x			 GAMIN
		A/230P-042	42,4		4x	4x	8x	
	A/230P-042-set4							
	polish	A/230P-042-L	42,4	✓				
AISI316	satin	A14/230P-042	42,4					 GAMIN
		A14/230P-048	48,3					
	polish	A14/230P-042-L	42,4					

top

ZAMAK	raw	ZN/230P-042	42,4	✓	1x			
--------------	-----	-------------	------	---	----	--	--	--

	glass t					
	6	6,76	8	8,76	10	10,76
	A19/23-P06/K08	A19/23-P07/K09	A19/23-P08/K10	A19/23-P09/K11	A19/23-P10/K12	A19/23-P11/K13

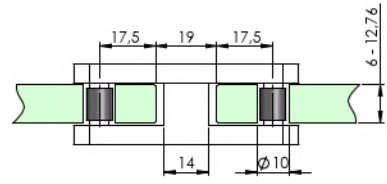
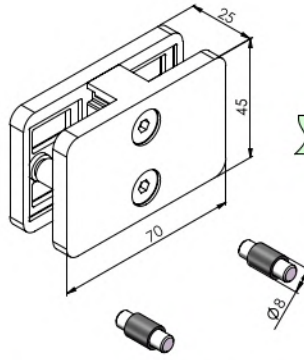




Quality	Finish	art.				Test
AISI304	satin	A/230P-000	1x			 GAMIN
		A/230P-000-set4	4x	4x	8x	
	polish	A/230P-000-L				
AISI316	satin	A14/230P-000	1x			 GAMIN
	polish	A14/230P-000-L				
ZAMAK	raw	ZN/230P-000	1x			

top

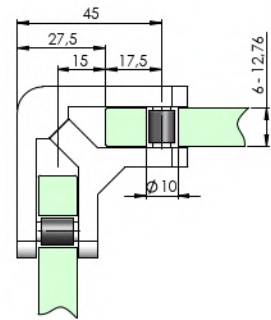
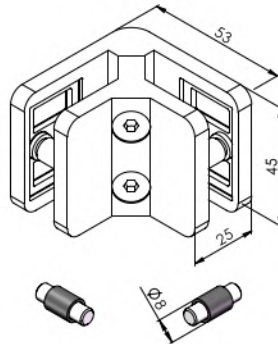
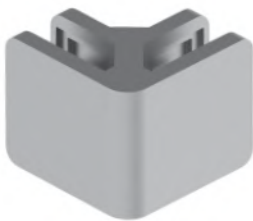
	glass t					
	6	6,76	8	8,76	10	10,76
	A19/23-P06/K08	A19/23-P07/K09	A19/23-P08/K10	A19/23-P09/K11	A19/23-P10/K12	A19/23-P11/K13

MODEL 230P




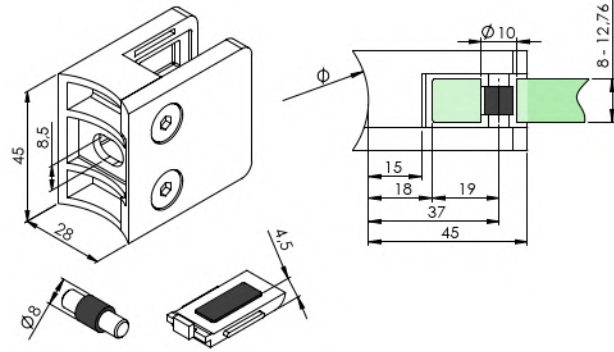
Quality	Finish	art.			Test
AISI316	satın	A14/230P-700	1x	A19/04-PVC	GAMIN

	glass t							
	6	6,76	8	8,76	10	10,76	12	12,76
	A19/23-P06/K08	A19/23-P07/K09	A19/23-P08/K10	A19/23-P09/K11	A19/23-P10/K12	A19/23-P11/K13	A19/23-P12	A19/23-P13



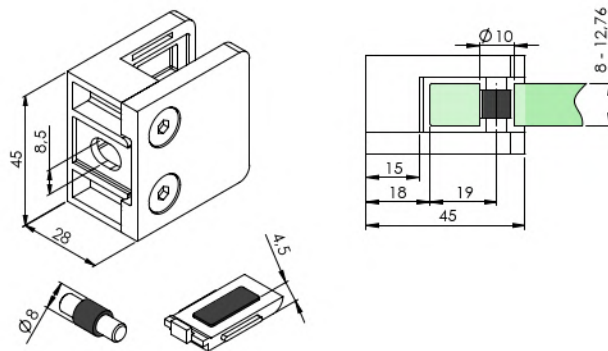
Quality	Finish	art.			Test
AISI316	satın	A14/230P-900	1x	A19/04-PVC	GAMIN

	glass t							
	6	6,76	8	8,76	10	10,76	12	12,76
	A19/23-P06/K08	A19/23-P07/K09	A19/23-P08/K10	A19/23-P09/K11	A19/23-P10/K12	A19/23-P11/K13	A19/23-P12	A19/23-P13



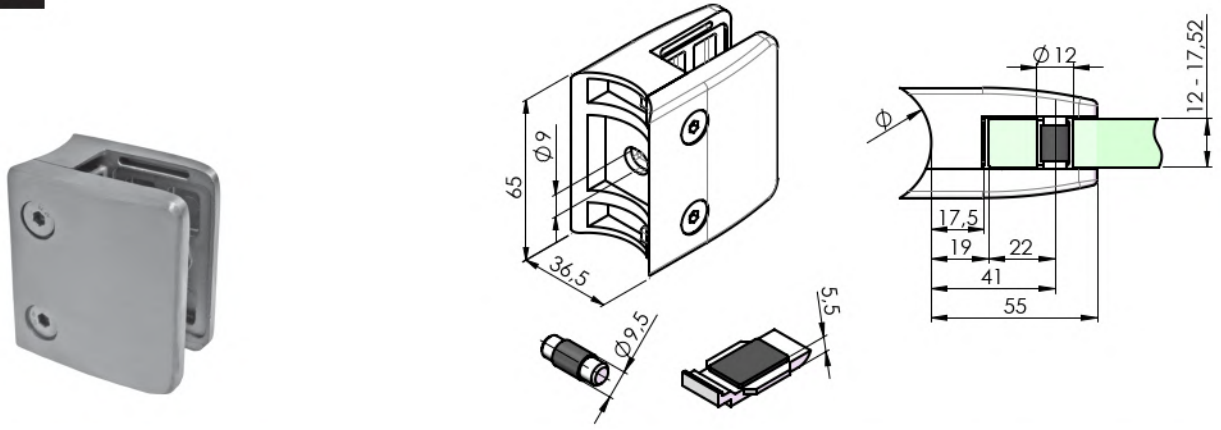
Quality	Finish	art.	∅					Test
						A-DIN 912-A2 M8x20	A19/04-PVC	
AISI304	satin	A/23KP-042	42,4	✓	4x	4x	8x	 GAMIN
		A/23KP-042-set4						
AISI316	polish	A14/23KP-042						
		A14/23KP-042-L						





	glass t					
	8	8,76	10	10,76	12	12,76
	A19/23-P06/K08	A19/23-P07/K09	A19/23-P08/K10	A19/23-P09/K11	A19/23-P10/K12	A19/23-P11/K13

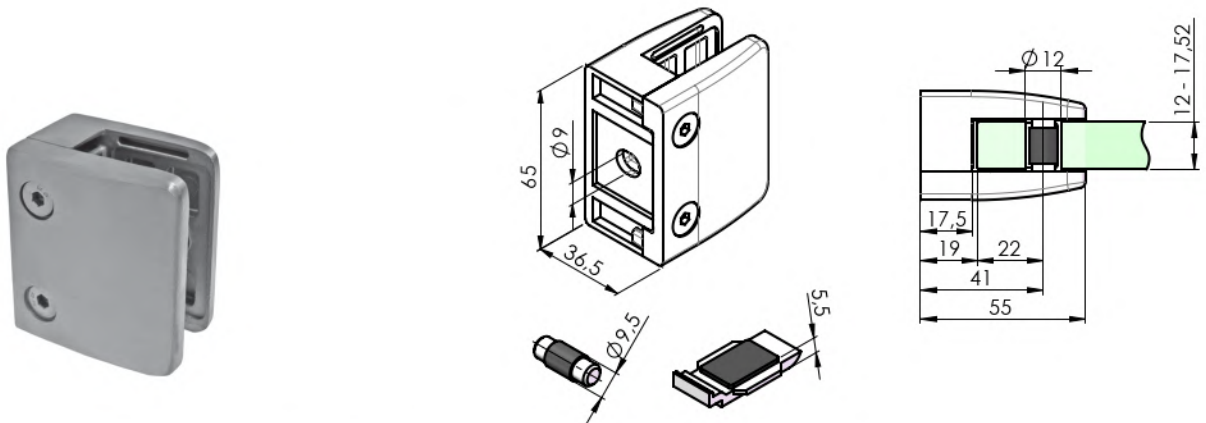





Quality	Finish	art.				Test
				A-DIN 912-A2 M8x20	A19/04-PVC	
AISI304	satin	A/23KP-000	4x	4x	8x	 GAMIN
		A/23KP-000-set4				
AISI316	polish	A/23KP-000-L				
		A14/23KP-000				
AISI316	satin	A14/23KP-000-set4	4x	4x	8x	 GAMIN
		A14/23KP-000-L				

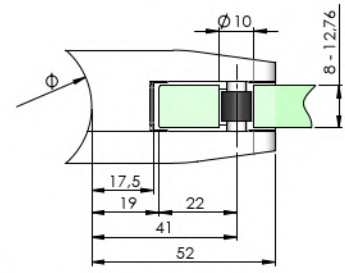
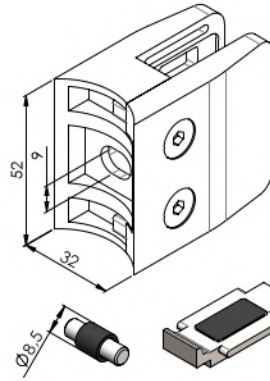
	glass t					
	8	8,76	10	10,76	12	12,76
	A19/23-P06/K08	A19/23-P07/K09	A19/23-P08/K10	A19/23-P09/K11	A19/23-P10/K12	A19/23-P11/K13








Quality	Finish	art.	Ø					Test	
AISI304	satin	A/2400-042	42,4	-	1x			GAMIN	
		A/2400-042-set4			4x	4x	8x		
AISI316	satin	A14/2400-042	48,3	-	1x				
		A14/2400-048							
ZAMAK	raw	ZN/2400-042	42,4	-	1x				
		glass t							
		12,00	12,76	13,52	16,76	17,52			
		A19/24-012	A19/24-013	A19/24-014	A19/24-017	A19/24-018			



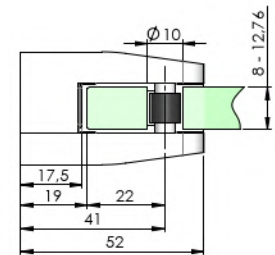
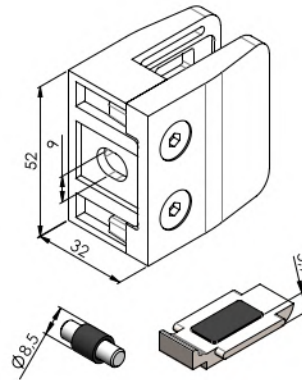
Quality	Finish	art.				Test
AISI304	satin	A/2400-000	1x			GAMIN
		A/2400-000-set4	4x	4x	8x	
AISI316	polish	A14/2400-000	1x			
		A14/2400-000-L-set4	4x	4x	8x	
ZAMAK	raw	ZN/2400-000	1x			
		glass t				
		12,00	12,76	13,52	16,76	17,52
		A19/24-012	A19/24-013	A19/24-014	A19/24-017	A19/24-018



Quality	Finish	art.	∅					Test
						A-DIN 912-A2 M8x20	A19/04-PVC	
AISI304	satin	A/2600-042	42,4	-	1x			 GAMIN
		A/2600-042-set4			4x	4x	8x	
		A/2600-048	48,3		1x			
		A/2600-048-set4			4x	4x	8x	
AISI316		A14/2600-042	42,4		1x			
		A14/2600-048	48,3					


ZAMAK	raw	ZN/2600-042	42,4				
		ZN/2600-048	48,3		1x		
	satin	ZN-SATIN/2600-042	42,4				

	glass t					
	8	8,76	10	10,76	12	12,76
	A19/26-008	A19/26-009	A19/26-010	A19/26-011	A19/26-012	A19/26-013

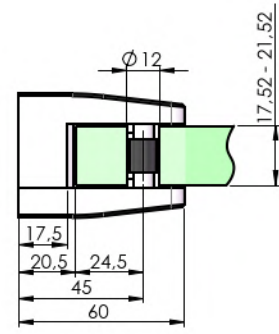
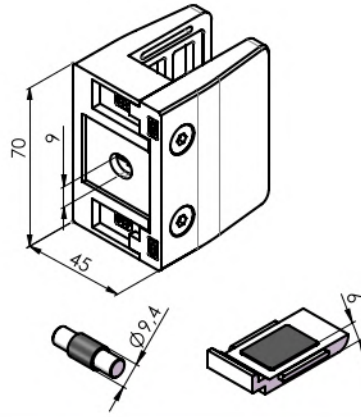


Quality	Finish	art.				Test
				A-DIN 912-A2 M8x20	A19/04-PVC	
AISI304	satin	A/2600-000	1x			 GAMIN
		A/2600-000-set4	4x	4x	8x	
AISI316		A14/2600-000	1x			
ZAMAK	raw	ZN/2600-000	1x			
	satin	ZN-SATIN/2600-000				


top

	glass t					
	8	8,76	10	10,76	12	12,76
	A19/26-008	A19/26-009	A19/26-010	A19/26-011	A19/26-012	A19/26-013

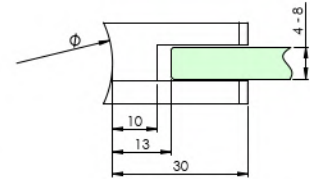
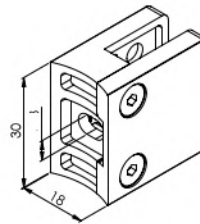
MODEL 27







Quality	Finish	art.		 A-DIN 912-A2 M8x20	 A19/04-PVC	Test
AISI316	satın	A14/2700-000	1x			GAMIN

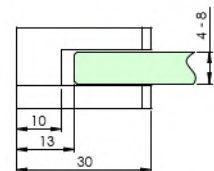
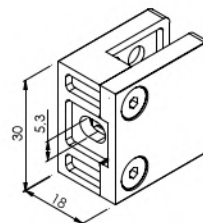
	glass t		
	17,52	20,76	21,52
A19/27-018	A19/27-021	A19/27-022	

MODEL 29



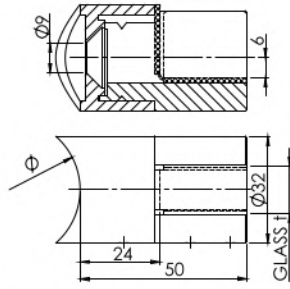
Quality	Finish	art.	Ø			 A-DIN 912-A2 M5x20	Test
AISI304	satın	A/2900-033	33,7		1x		GAMIN
		A/2900-042	42,4	✓			

	glass t		
	4	6	8
A19/29-004	A19/29-006	A19/29-008	

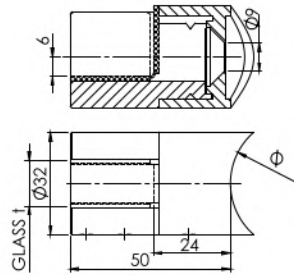


Quality	Finish	art.		 A-DIN 912-A2 M5x20	Test
AISI304	satın	A/2900-000	1x		GAMIN

	glass t		
	4	6	8
A19/29-004	A19/29-006	A19/29-008	

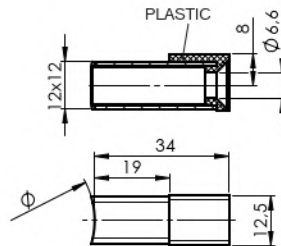
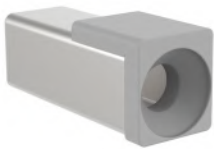


Quality	Finish	Ø	art.	glass t			
AISI316	satin	flat	A14/0783-000	8 - 12,76	✓	1x	A4-DIN 7991 M8x20
		42,4	A14/0783-042		-		

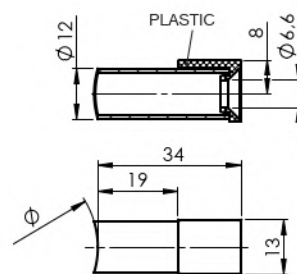
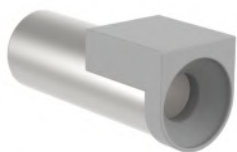


Quality	Finish	Ø	art.	glass t			
AISI316	satin	flat	A14/0782-000	8 - 12,76	✓	1x	A4-DIN 7991 M8x20
		42,4	A14/0782-042		-		

	glass t					
	8	8,76	10	10,76	12	12,76
	A19/07-009	A19/07-011		A19/07-013		

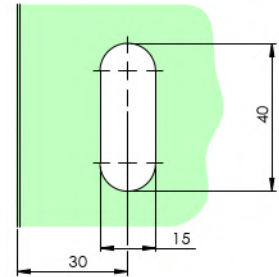
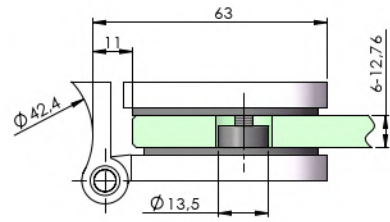
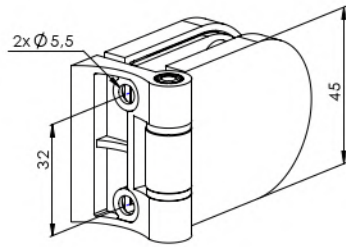




Quality	Finish	Ø	art.	A4-DIN 7991 M6x40
AISI304	satin	flat	A/1002-000	optional <i>new</i>
		42,4	A/1002-042	



Quality	Finish	Ø	art.	A4-DIN 7991 M6x40
AISI304	satin	flat	A/1001-000	optional <i>new</i>
		42,4	A/1001-042	

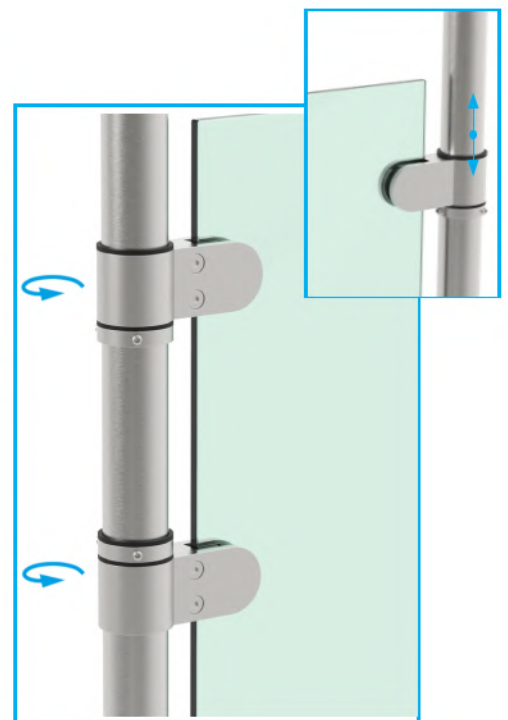
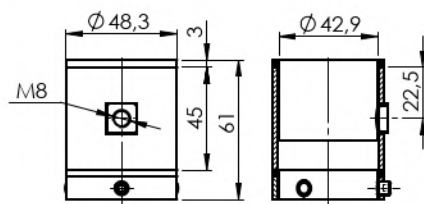






Quality	Finish	art.		
AISI316	satın	A14/1100-042	1x	2x A4-DIN 7991 M5x16 optional

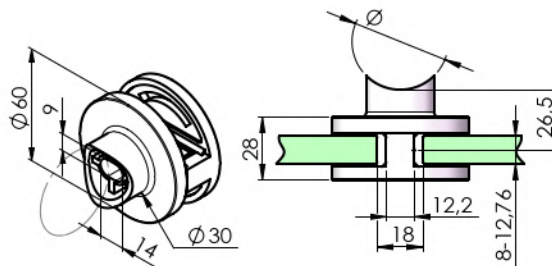
new

Quality	Finish	effect	art.	Gmax (kg)/2pcs
Brass	polish	chrome	GS-MS/D-B-900-2L/P/Cr GS-MS/D-B-900-2R/P/Cr	40

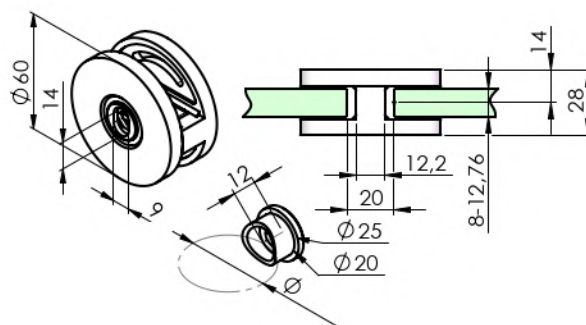


Quality	Finish	art.		
AISI304	satın	A/1200-042	1x	A-DIN 912-A2 M8x20 optional

MODEL 41

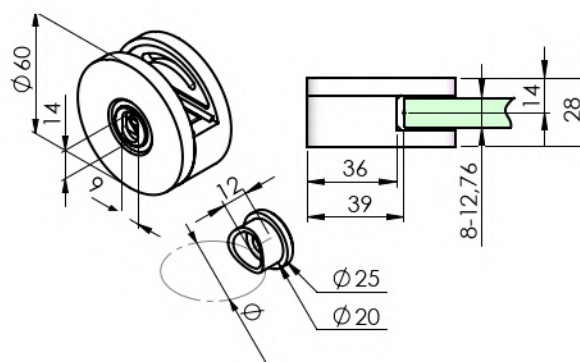


Quality	Finish	art.	Ø						
AISI304	satin	A/4100-000	flat	1x	optional	optional	✓		optional
		A/4100-042	42,4					✓	



Quality	Finish	art.	Ø						
AISI304	satin	A/4100-700	flat	1x	optional	optional	✓		optional
		A/4100-742	42,4					✓	

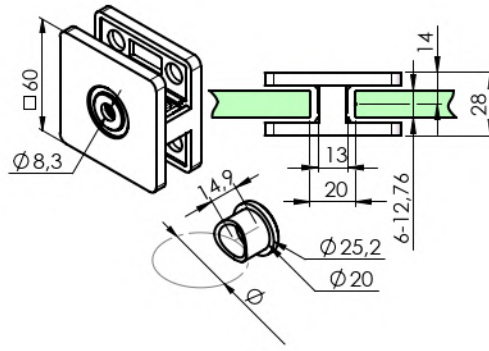
MODEL 40





Quality	Finish	art.	Ø						
AISI304	satin	A/4000-700	flat	1x	optional	optional	✓		optional
		A/4000-742	42,4					✓	

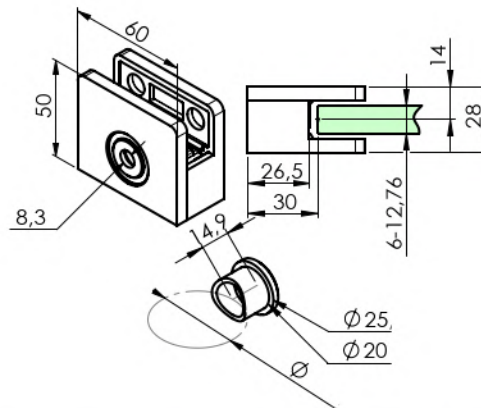
	glass t					
	8	8,76	10	10,76	12	12,76
	A19/4041-008	A19/4041-009	A19/4041-010	A19/4041-011	A19/4041-012	A19/4041-013

MODEL 21X



Quality	Finish	art.	Ø		 A-DIN 7380-A2 M8x20	 A19/04-PVC	 flat	 Ø 42,4	 A19/03-PVC
AISI316	satin	A14/2100-700	flat	1x	optional	optional	✓		
		A14/2100-742	42,4					✓	
	polish	A14/2100-700-L	flat				✓		
		A14/2100-742-L	42,4					✓	
								optional	

MODEL 21XX



Quality	Finish	art.	Ø		 A-DIN 7380-A2 M8x20	 A19/04-PVC	 flat	 Ø 42,4	 A19/03-PVC
AISI316	satin	A14/2110-700	flat	1x	optional	optional	✓		
		A14/2110-742	42,4					✓	
	polish	A14/2110-700-L	flat				✓		
		A14/2110-742-L	42,4					✓	
								optional	








	glass t							
	6	6,76	8	8,76	10	10,76	12	12,76
	A19/21-706	A19/21-707	A19/21-708	A19/21-709	A19/21-710	A19/21-711	A19/21-712	A19/21-713



PLATE HOLDERS

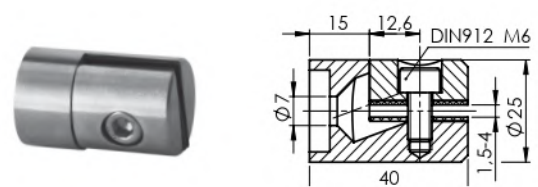
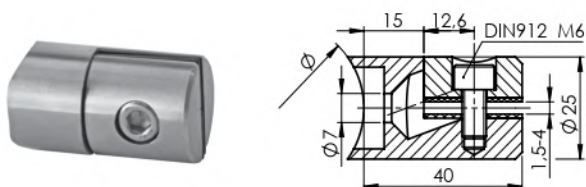
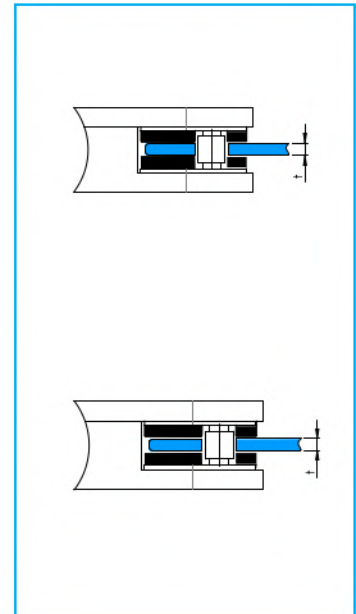


	plate t			
	1,5	2	3	
	A19/20-0015	A19/20-002	A19/20-003	
				MODEL 20

	plate t			
	1,5	2	3	
	A19/20-0015	A19/20-002	A19/20-003	
				MODEL 200P

	plate t			
	1,5	2	3	
	A19/21-0015	A19/21-002	A19/21-003	
				MODEL 21

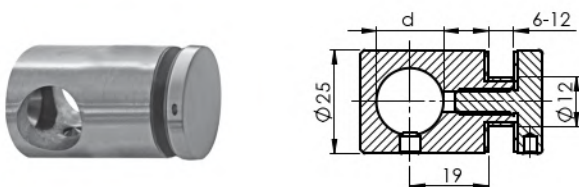
	plate t			
	1,5	2	3	
	A19/22-0015	A19/22-002	A19/22-003	
				MODEL 22



Quality	Finish	Ø	art.	plate t
AISI304	satin	33,7	A/0743-033	1,5-4,0
		42,4	A/0743-042	
48,3		A/0743-048		
AISI316		42,4	A14/0743-042	

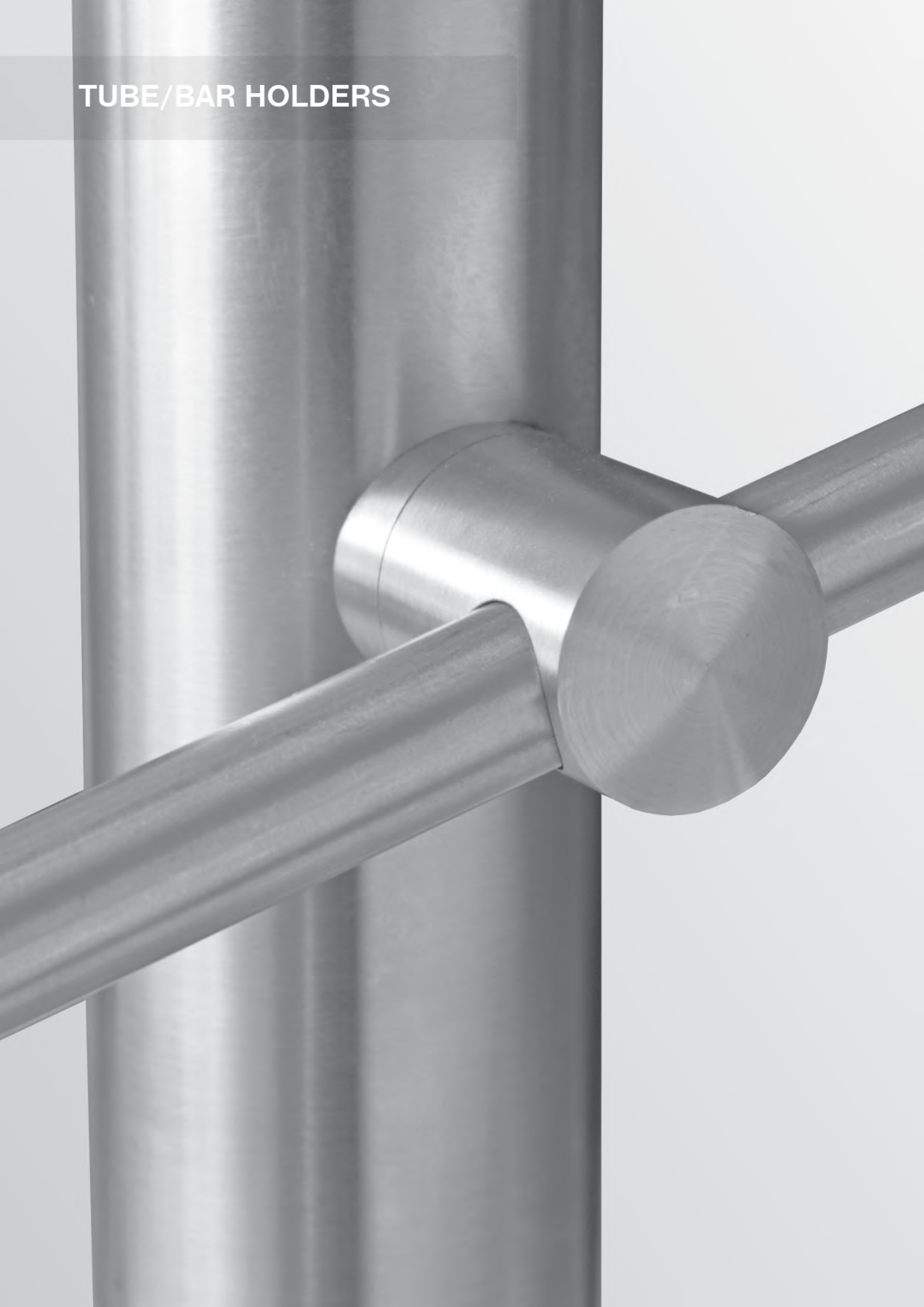
Quality	Finish	art.	plate t
AISI304	satin	A/0743-000	1,5-4,0
AISI316		A14/0743-000	

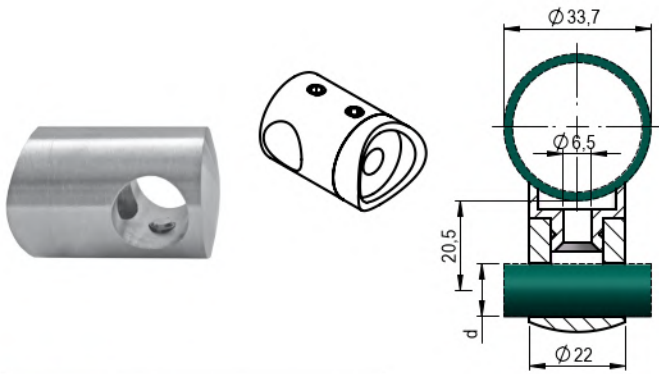
top



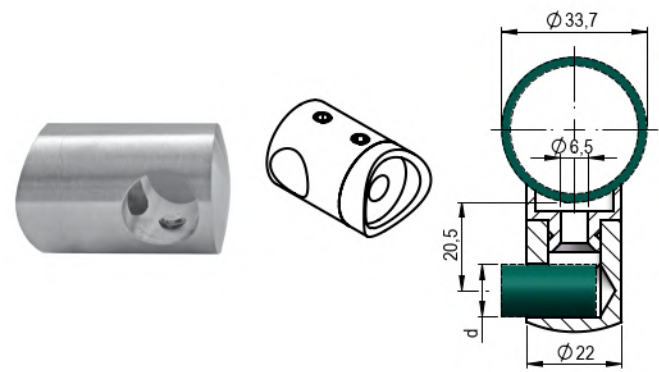
Quality	Finish	art.	d
AISI304	satin	A/0746-012	12
		A/0746-016	16

TUBE/BAR HOLDERS

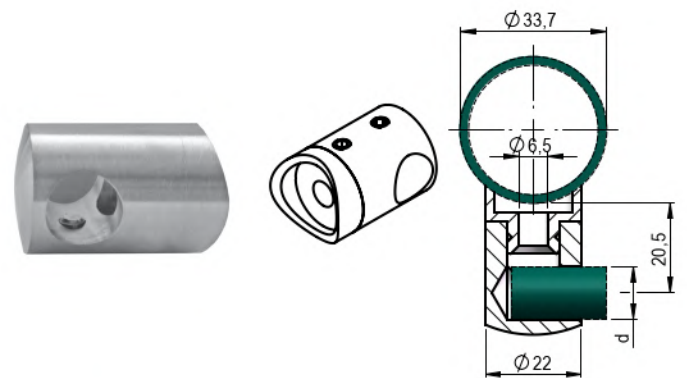




Quality	Finish	art.	d
AISI304	satin	A/0825-033	10
		A/0830-033	12



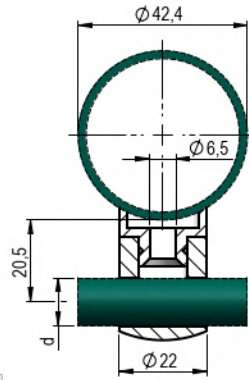
Quality	Finish	art.	d
AISI304	satin	A/0822-033	10
		A/0832-033	12



Quality	Finish	art.	d
AISI304	satin	A/0823-033	10
		A/0833-033	12





MODEL D42,4/d

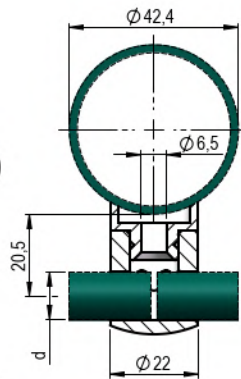


2
INFILL HOLDERS

Quality	Finish	art.	d
AISI304	satin	A/0825-042	10
		A/0830-042	12
		A/0830-042-SET4	
	A/0830-042-SET5	14	
	A/0830-042-SCREW		
	A/0835-042		
polish	A/0825-042-L	10	
	A/0830-042-L	12	
	A/0835-042-L	14	
AISI316	satin	A14/0830-042	12
	polish	A14/0830-042-L	

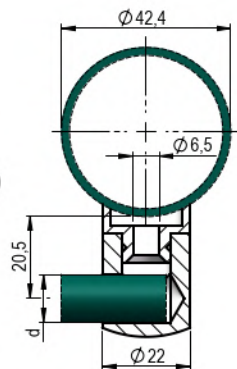
top

art.	 A/0830-042	 A-DIN 7991-A2 M5x20
A/0830-042-SET4	4	4
A/0830-042-SET5	5	5
A/0830-042-SCREW	1	1



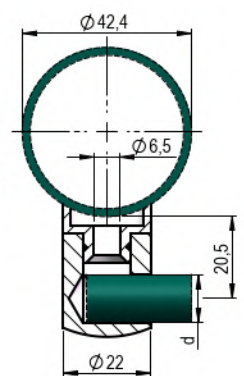
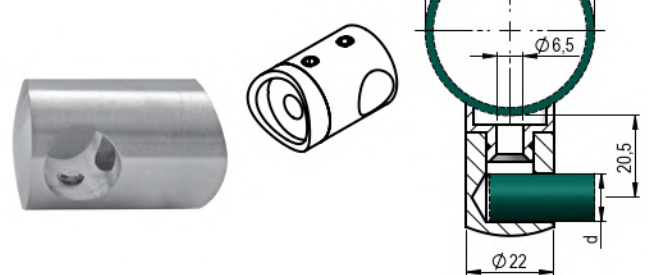
Quality	Finish	art.	d
AISI304	satin	A/0831-042	12
	polish	A/0831-042-L	
AISI316	satin	A14/0826-042	10
		A14/0831-042	12

top



Quality	Finish	art.	d
AISI304	satin	A/0822-042	10
		A/0832-042	12
polish	A/0832-042-L		
AISI316	satin	A14/0832-042	

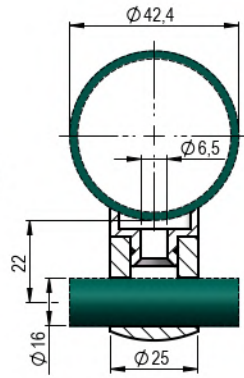
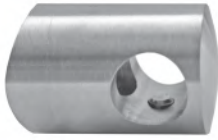
top



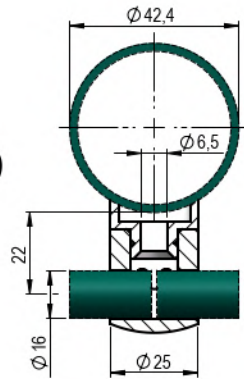
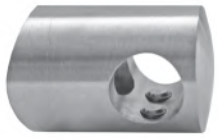
Quality	Finish	art.	d
AISI304	satin	A/0823-042	10
		A/0833-042	12
polish	A/0833-042-L		
AISI316	satin	A14/0833-042	

top

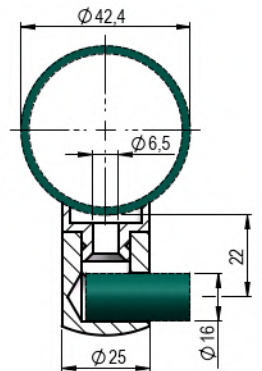
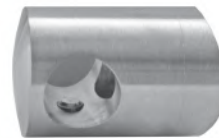
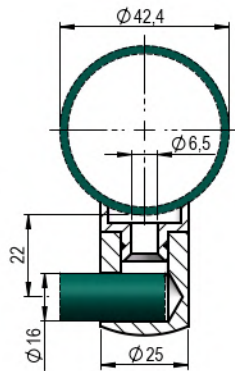
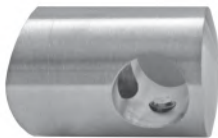
MODEL D42,4/d



Quality	Finish	art.
AISI304	satin	A/0840-042
	polish	A/0840-042-L
AISI316	polish	A14/0840-042-L



Quality	Finish	art.
AISI316	satin	A14/0841-042

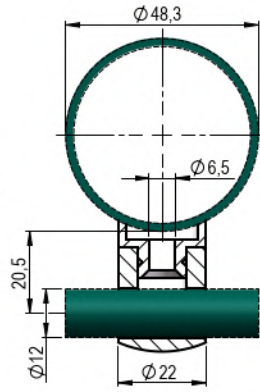
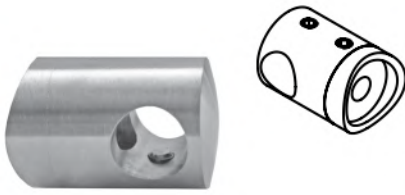


Quality	Finish	art.
AISI304	satin	A/0842-042

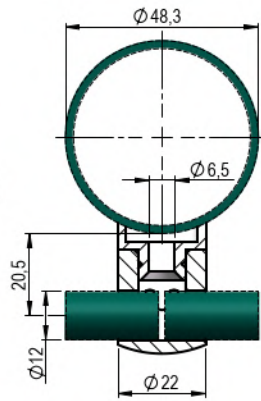
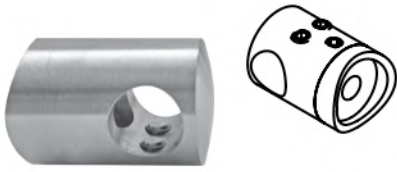
Quality	Finish	art.
AISI304	satin	A/0843-042

MODEL D48,3/d

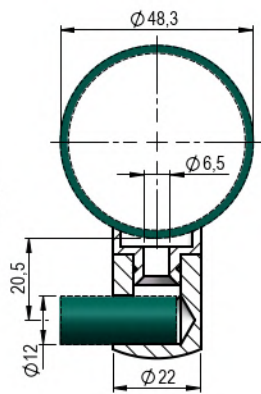
2
INFILL HOLDERS



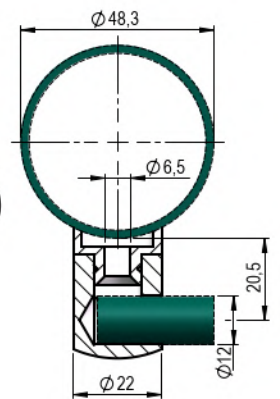
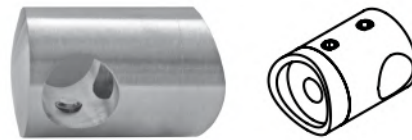
Quality	Finish	art.
AISI304	satın	A/0830-048



Quality	Finish	art.
AISI316	satın	A14/0831-048

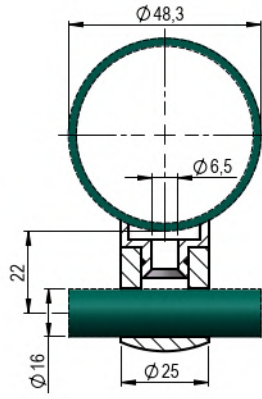
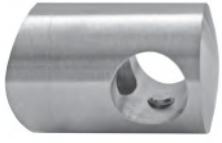


Quality	Finish	art.
AISI316	satın	A14/0832-048



Quality	Finish	art.
AISI316	satın	A14/0833-048

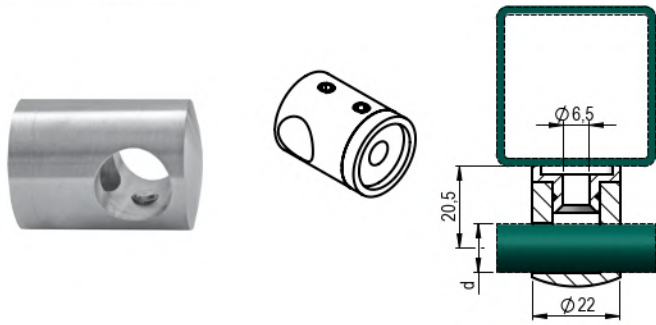
MODEL D48,3/d



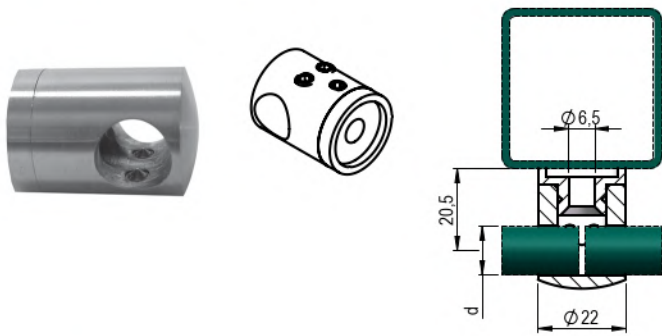
Quality	Finish	art.
AISI304	satın	A/0840-048

MODEL 00/d

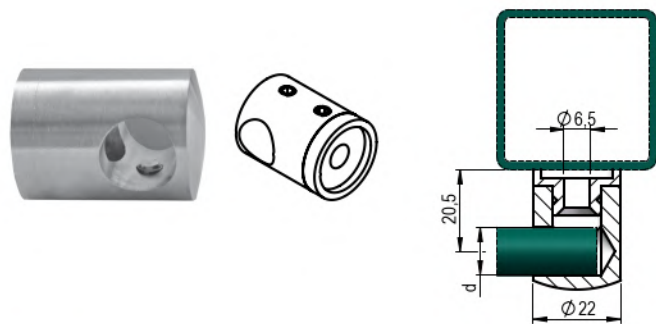
2
INFILL HOLDERS



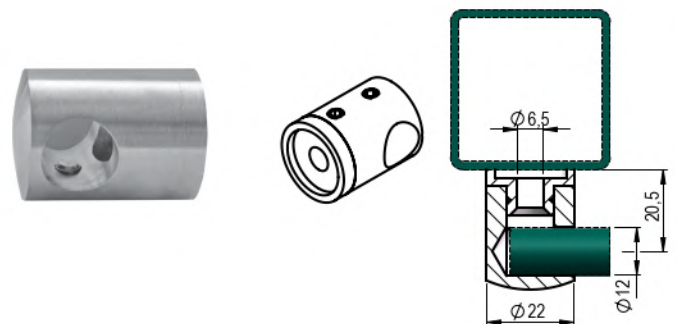
Quality	Finish	art.	d	
AISI304	satin	A/0825-000	10	M6x25 ✓ <i>top new</i>
		A/0830-000	12	
		A/0830-000-SCREW		
	A/0835-000	14		
	polish	A/0830-000-L	12	
AISI316	satin	A14/0825-000	10	
		A14/0830-000	12	



Quality	Finish	art.	d
AISI304	satin	A/0831-000	12
AISI316		A14/0826-000	10
		A14/0831-000	12

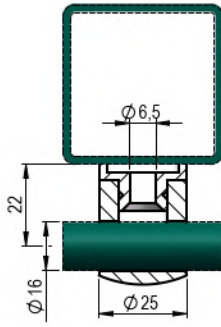
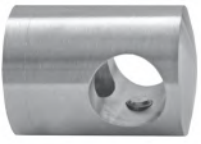


Quality	Finish	art.	d
AISI304	satin	A/0822-000	10
		A/0832-000	12
	polish	A/0832-000-L	12
AISI316	satin	A14/0832-000	12

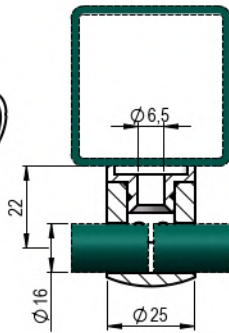


Quality	Finish	art.
AISI304	satin	A/0833-000
AISI316		A14/0833-000

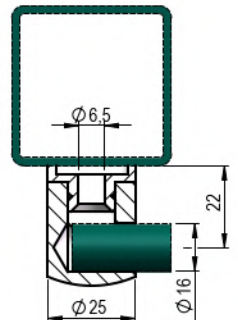
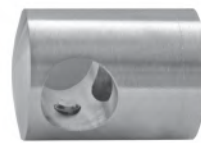
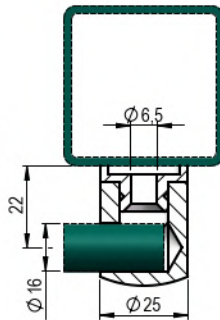
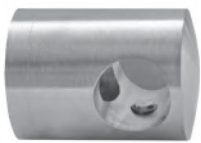
MODEL 00/d



Quality	Finish	art.
AISI304	satın	A/0840-000
	polish	A/0840-000-L

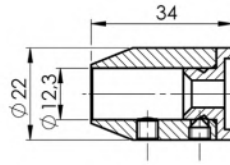


Quality	Finish	art.
AISI316	satın	A14/0841-000

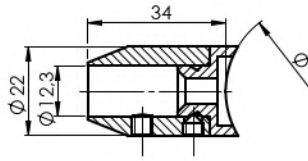


Quality	Finish	art.
AISI304	satın	A/0842-000

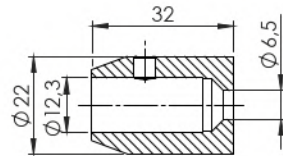
Quality	Finish	art.
AISI304	satın	A/0843-000



Quality	Finish	art.
AISI304	satin	A/0851-000

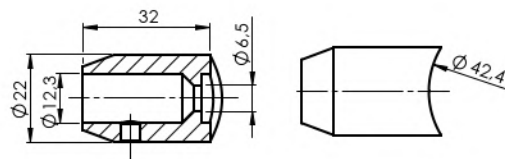


Quality	Finish	∅	art.
AISI304	satin	33,7	A/0851-033
		42,4	A/0851-042



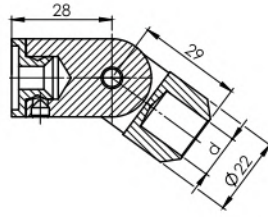
Quality	Finish	art.
AISI304	satin	A/0850-000

top

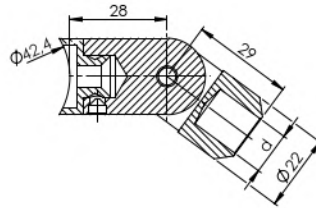


Quality	Finish	art.
AISI304	satin	A/0850-042

SYSTEM FLEX

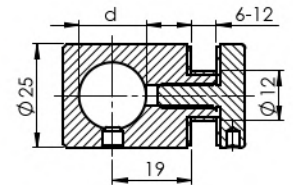
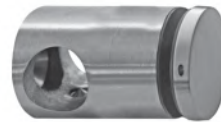
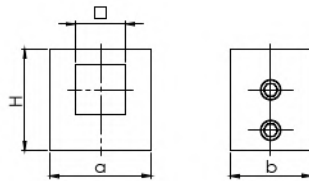


Quality	Finish	art.	d
AISI304	satin	A/0855-000	12
		A/0856-000	14



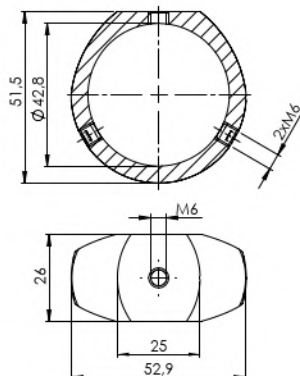
Quality	Finish	art.	d
AISI304	satin	A/0855-042	12
		A/0856-042	14

SYSTEM FIX

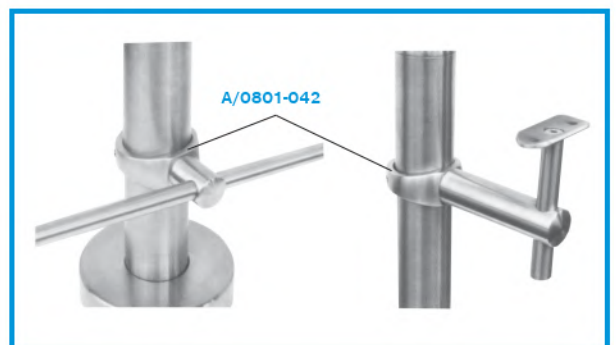


Quality	Finish	art.	∅	a x b	H	Q _{LB}	L _Q	
AISI304	satin	A/4810-000	10x10	20 x 16	20	—	—	
		A/4810-000-C	12x10					
		A/4830-000	12x12	23 x 16				
		A/4821-000	15x5	25 x 25	25			left
		A/4822-000	15x5					
		A/4823-000	15x5					

Quality	Finish	art.	d
AISI304	satin	A/0746-012	12
		A/0746-016	16

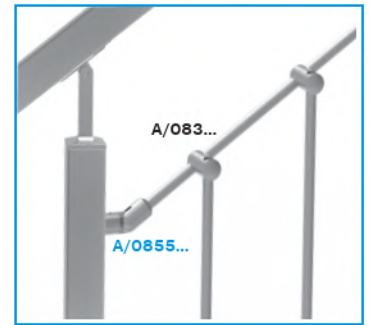
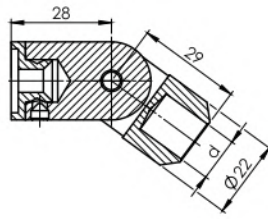


Quality	Finish	art.
AISI304	satin	A/0801-042

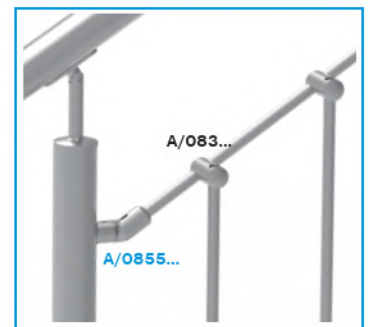
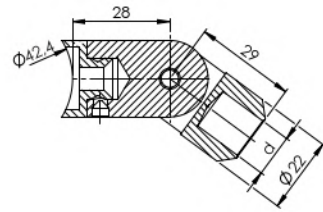


VERTICAL HOLDERS

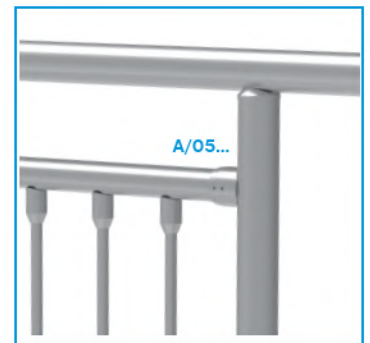
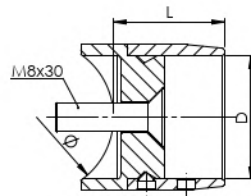




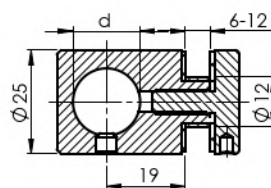
Quality	Finish	art.	d
AISI304	satin	A/0855-000	12
		A/0856-000	14



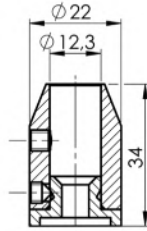
Quality	Finish	art.	d
AISI304	satin	A/0855-042	12
		A/0856-042	14



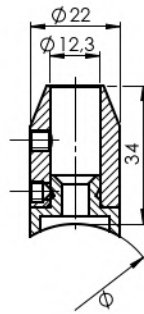
Quality	Finish	Ø	art.	D	L
AISI304	satin	33,7	A/0502-033	33,7	30
		42,4	A/0502-042		
		42,4	A/0522-042	42,4	34



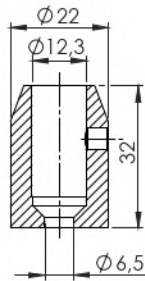
Quality	Finish	art.	d
AISI304	satin	A/0746-012	12
		A/0746-016	16



Quality	Finish	art.
AISI304	satin	A/0851-000

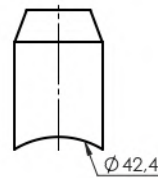
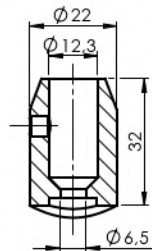


Quality	Finish	∅	art.
AISI304	satin	33,7	A/0851-033
		42,4	A/0851-042

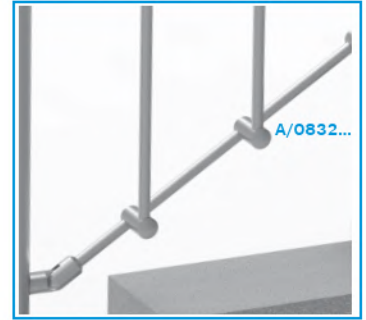
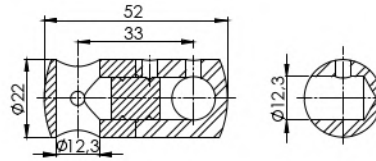


Quality	Finish	art.
AISI304	satin	A/0850-000

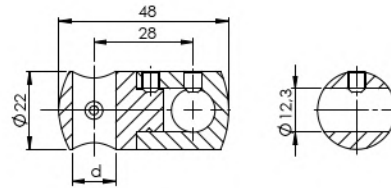
top



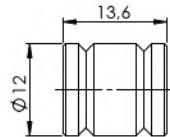
Quality	Finish	art.
AISI304	satin	A/0850-042



Quality	Finish	art.
AISI304	satın	A/0832-012-0



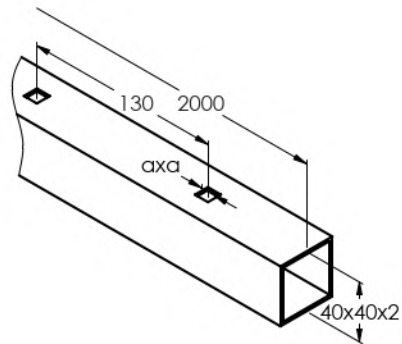
Quality	Finish	art.	d
AISI304	satın	A/0830-012	12
		A/0830-014	14
		A/0830-016	16



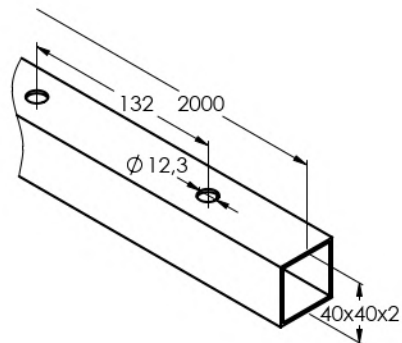
Quality	Finish	art.
AISI304	satın	A/083-PIN

				+		+	
d10	A/0825-000	A/0823-000	A/0822-000	A/083-PIN			A/0825-000
d12	A/0830-000	A/0833-000	A/0832-000				A/0830-000
d14	A/0835-000						A/0835-000
d16	A/0840-000	A/0843-000	A/0842-000	A/083-PIN			A/0840-000

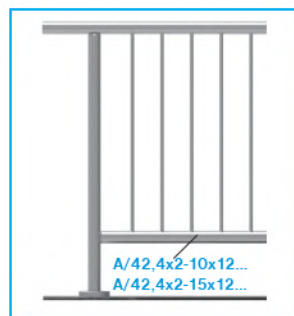
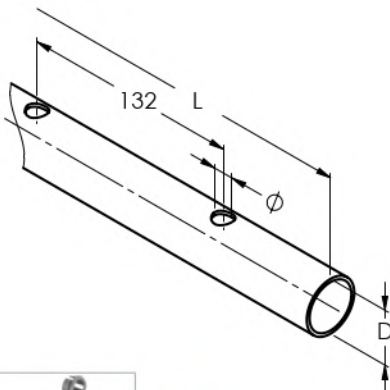
AISI 304 satin example. Combinations also available for AISI 304 polish and AISI 316 satin.



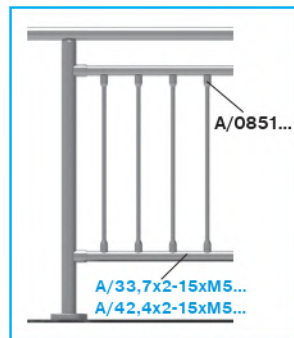
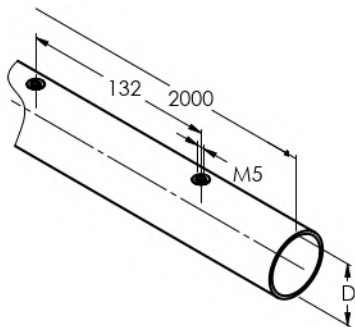
Quality	Finish	art.	a
AISI304	satin	A/40x40x2-15x10x10-2000	10x10
		A/40x40x2-15x12x12-2000	12x12



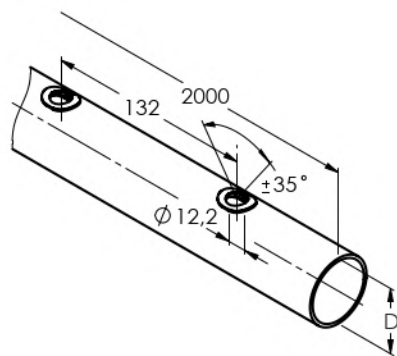
Quality	Finish	art.
AISI304	satin	A/40x40x2-15x12-2000



Quality	Finish	art.	Ø	D	L	A12/12-PVC	
AISI304	satin	A/33,7x2-15x12-2000	12,3	33,7x2	2000	optional	
		A/33,7x2-15x14-2000	14,3				
		A/42,4x2-10x12-1300	12,3	42,4x2	2000	optional	new
		A/42,4x2-15x12-2000					
		A/42,4x2-15x14-2000	14,3				
		A/42,4x2-H-atyp					

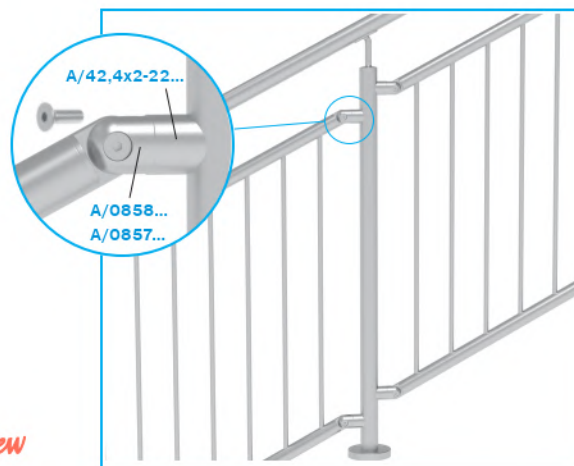
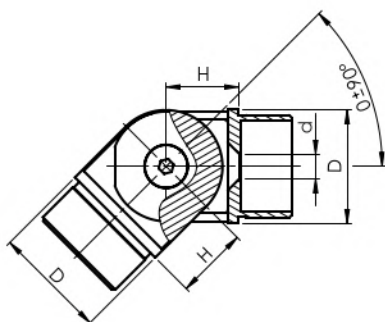


Quality	Finish	art.	D
AISI304	satin	A/33,7x2-15xM5-2000	33,7x2
		A/42,4x2-15xM5-2000	42,4x2



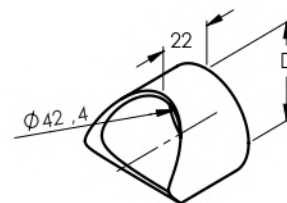
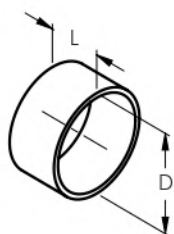
Quality	Finish	art.	D
AISI304	satin	A/33,7x2-15x12-U-2000-PVC	33,7x2
		A/42,4x2-15x12-U-2000-PVC	42,4x2

new



Quality	Finish	art.	D	d	H	optional
AISI304	satin	A/0858-000	42,4x2	9	27	A-DIN 7991-A2 M8x35
		A/0857-000	33,7x2	6,6	21	A4-DIN 7991 M6x40

new



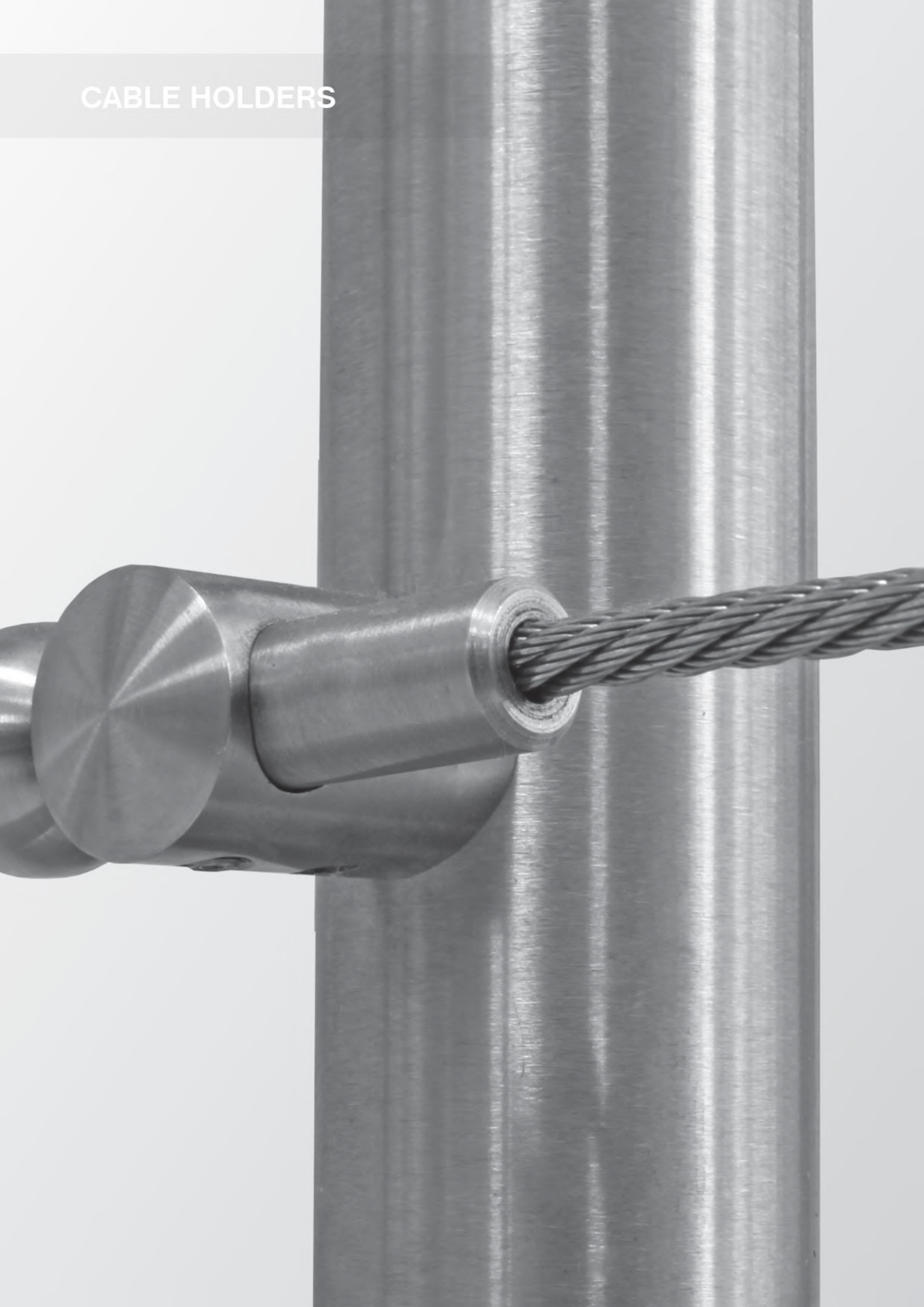
Quality	Finish	D	art.	L
AISI304	satin	33,7x2	A/33,7x2-22-000	22
			A/42,4x2-22-000	22
		42,4x2	A/42,4x2-35-000	35
			A/42,4x2-45-000	45

new

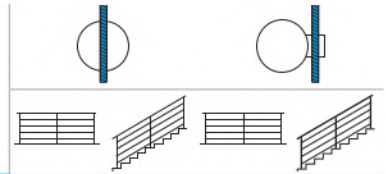
Quality	Finish	D	art.
AISI304	satin	33,7x2	A/33,7x2-22-042
		42,4x2	A/42,4x2-22-042

new

CABLE HOLDERS



application



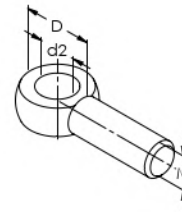
<p>C1</p>		<p>✓</p>			
<p>C2</p>		<p>✓</p>	<p>✓</p>		
<p>C3</p>		<p>✓</p>	<p>✓</p>		
<p>C4</p>		<p>✓</p>			
<p>C5</p>			<p>✓</p>	<p>✓</p>	



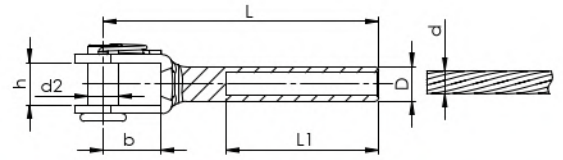
art.
Q8/95



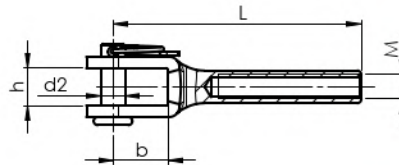
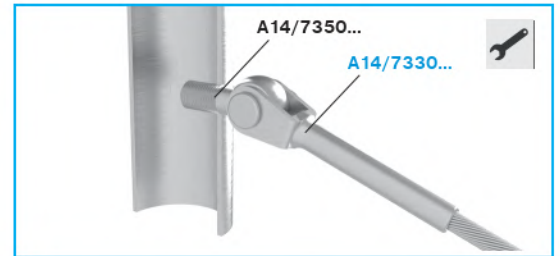
art.
Q8/95-1



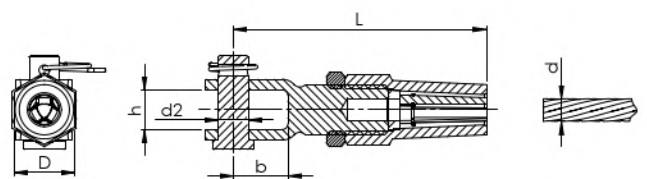
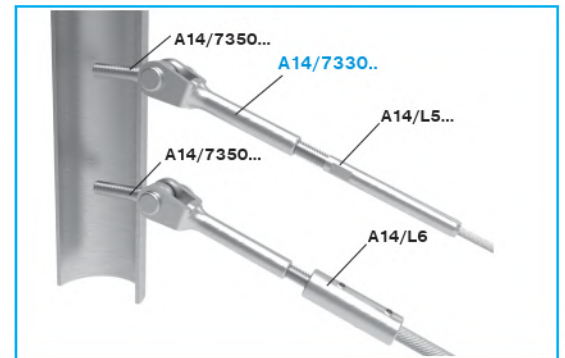
Quality	Finish	art.	d2	M	D	anchor system
AISI316	satin	A14/7350-003	6,0	6	12	C2,C3
		A14/7350-005	9,5	10	20	



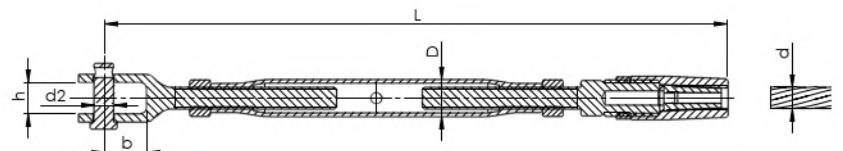
Quality	Finish	art.	d	D	h	b	L	L1	d2	anchor system
AISI316	satin	A14/7330-003	3	5,5	7,5	12	50	25	4,8	C3
		A14/7330-004	4	6,3						
		A14/7330-005	5	7,5	9,6	13	58	30		
		A14/7330-006	6	9	11	15	72	40		



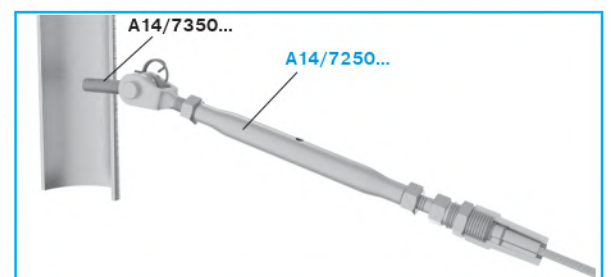
Quality	Finish	art.	M	b	h	L	d2	anchor system
AISI316	satin	A14/7330-M6	6	13,5	9	61	5,9	C3
		A14/7330-M10	10	20	12	73	9	



Quality	Finish	art.	d	D	L	d2	b	h	anchor system
AISI316	satin	A14/7300-003	3	12	53	4,8	12,8	8,2	C3
		A14/7300-005	5	16	66	8	15	10,5	



Quality	Finish	art.	d	D	L	h	b	d2	anchor system
AISI304	satin	A/7250-003	3	10,5	160 - 220	7,5	12	6	C3
A14/7250-003		8		140 - 200	5				
AISI316		A14/7250-005	5	13,5	200 - 0	10,3	13	8	
		A14/7250-005-B	13	200 - 270	10,8	16,5			



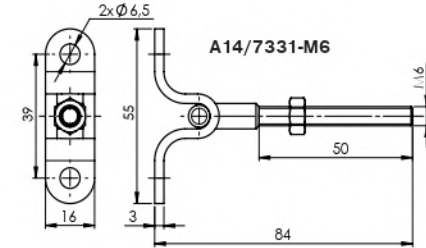
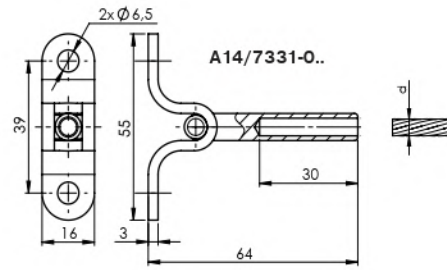
SYSTEM FLEX



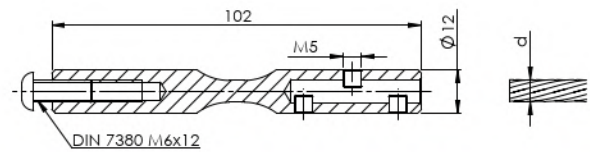
A14/7331-0..



A14/7331-M6

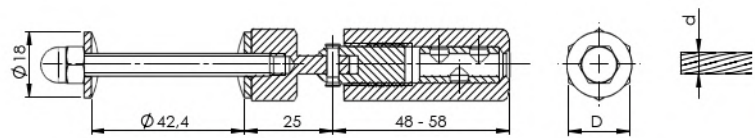


Quality	Finish	art.	d	M	anchor system
AISI316	satin	A14/7331-004	4		C3
		A14/7331-005	5		
		A14/7331-006	6		
		A14/7331-M6		6	

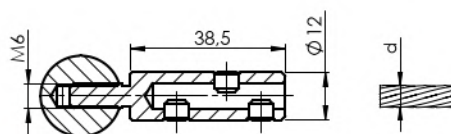
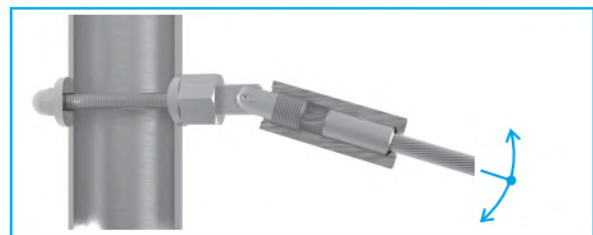


Quality	Finish	art.	d	anchor system
AISI304	satin	A5/L6-V	4-6	C2
AISI316		A14/L6-V		

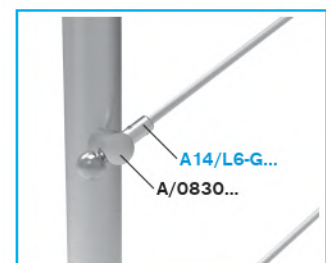
top

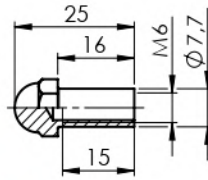


Quality	Finish	art.	d	D	anchor system
AISI304	satin	A5/L7-6	4-5	17	C2
		A5/L7-8	5-8	19	
AISI316		A14/L7-6	4-5	17	

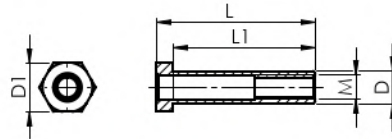


Quality	Finish	art.	d	anchor system
AISI304	satin	A5/L6-G	4-6	C5
AISI316		A14/L6-G		

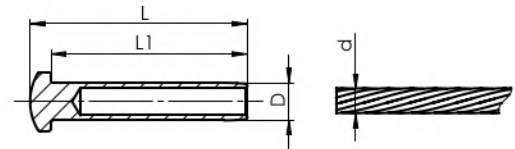
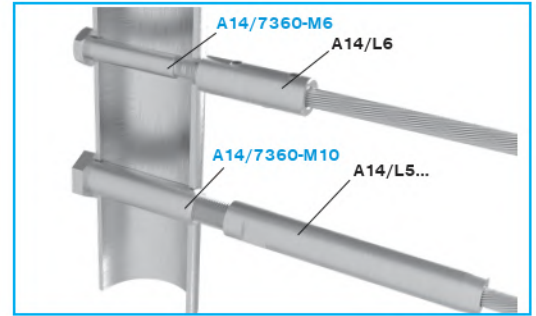




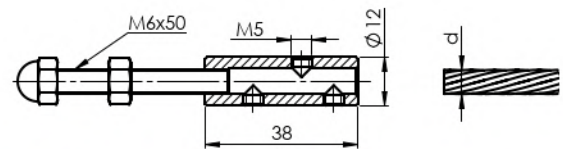
Quality	Finish	art.	Tread	anchor system
AISI316	satin	A14/7361-M6	right	C1
		A14/7361-M6 LEFT	left	



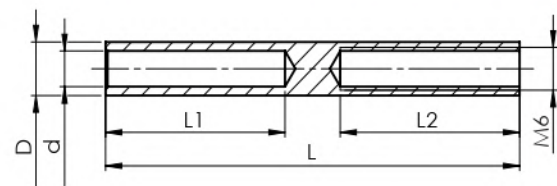
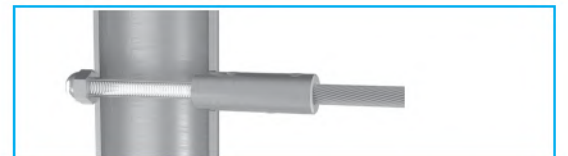
Quality	Finish	art.	D1	L1	D	L	M	anchor system
AISI316	satin	A14/7360-M6	13	35	8	39	6	C1
		A14/7360-M10	17	45	13	50	10	



Quality	Finish	art.	D1	L1	D	L	d	anchor system
AISI316	satin	A14/7370-003	3,5	32	5,5	35	3	C1, C4
		A14/7370-004	4,4		6,3	4		
		A14/7370-005	5,3	37	7,5	41	5	
		A14/7370-006	6,5	47	9	52	6	

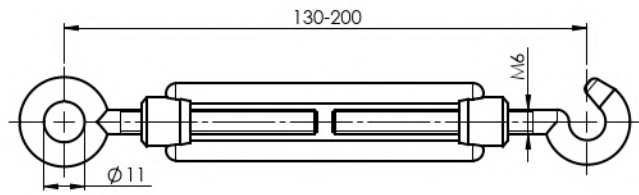


Quality	Finish	art.	d	anchor system
AISI316	satin	A14/L6	4-6	C1

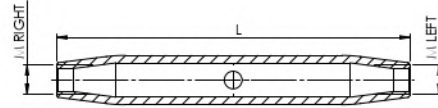


Quality	Finish	art.	d	D	L2	L1	L	Tread
AISI316	satin	A14/L8-5	5	7,5	26	26	60	right
		A14/L8-5 LEFT	5	7,5	26	26	60	left

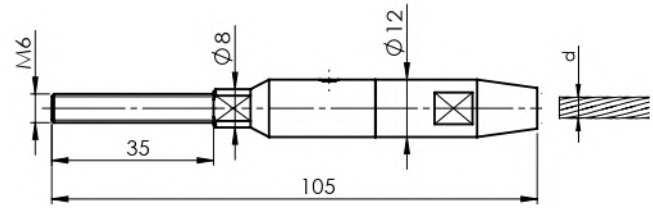
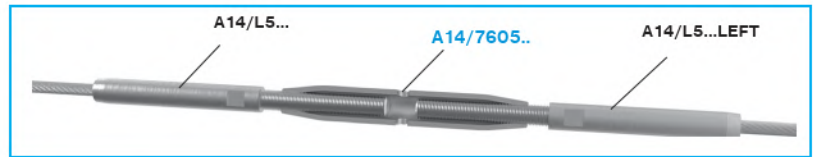
SYSTEM TENSION



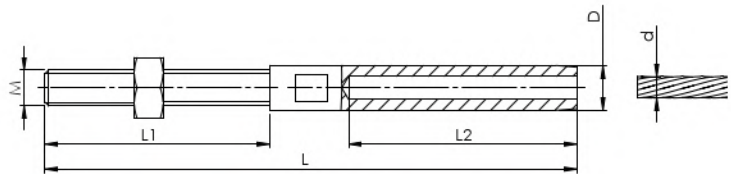
Quality	Finish	art.
AISI316	raw	A14/7500-010



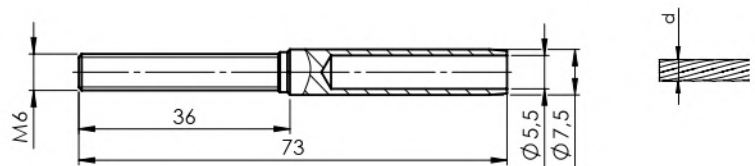
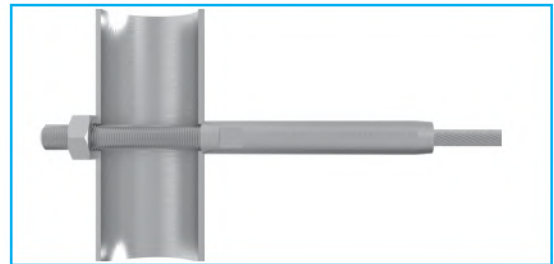
Quality	Finish	art.	L	M	anchor system
AISI316	satin	A14/7605-M6	90	6	C4
		A14/7605-M10	120	10	



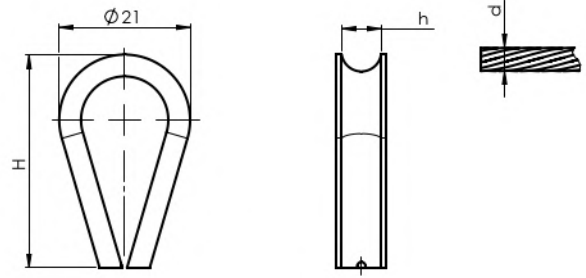
Quality	Finish	art.	d	anchor system
AISI316	satin	A14/L3	4,5,6	C4



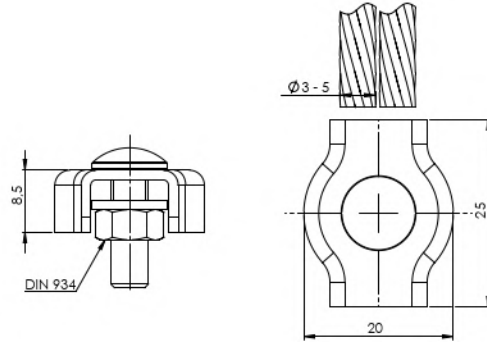
Quality	Finish	art.	d	D	L2	L1	M	L	Tread	anchor system
AISI316	satin	A14/L5-3	3	6,35	38	48	6	100	right	C1, C4
		A14/L5-4	4	7,5	45	48	6	108		
		A14/L5-5	5	9	51	63	10	132		
		A14/L5-6	6	12,5	64	63	10	146,5	left	
		A14/L5-3 LEFT	3	6,35	38	48	6	100		
		A14/L5-4 LEFT	4	7,5	45	48	6	108		
		A14/L5-5 LEFT	5	9	51	63	10	132		
A14/L5-6 LEFT	6	12,5	64	63	10	146,5				



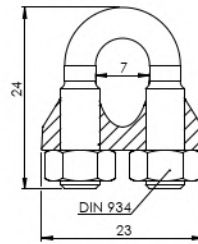
Quality	Finish	art.	Tread	d	anchor system
AISI316	satin	A14/L4-5	right	3-5	C1, C4
		A14/L4-5 LEFT	left		



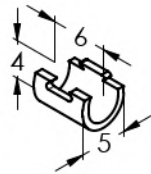
Quality	Finish	art.	H	h	d
AISI316	satin	A14/7603-005	30	5,9	3-4
		A14/7603-005-B	34,5	6,3	



Quality	Finish	art.	d	anchor system
AISI316	satin	A14/7604-005	3-5	C2



Quality	Finish	art.	d	anchor system
AISI316	satin	A14/7601-005	7	C2

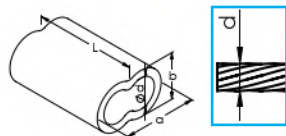
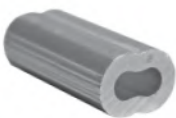


Quality	Finish	art.	d
AISI316	natural	A14/LP-7,0x4,5/1,5	2x1,5

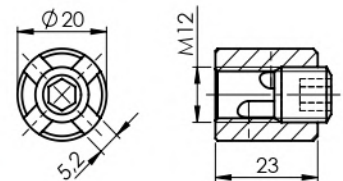
A + d 1,5mm

B + d 3-5mm

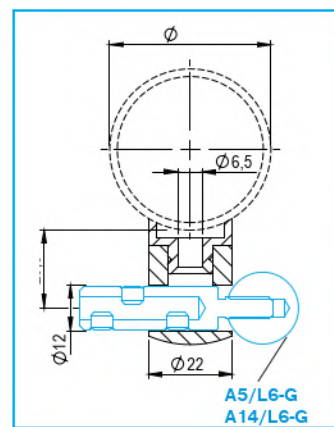
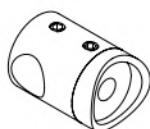
C + d 4-7mm



Material	effect	art.	d	L	a	b	anchor system
ALUMINIUM	raw	AL/7405-003	3	15	11	7	C2
		AL/7405-004	4	16	14	9	
		AL/7405-005	5	22	17	11	
		AL/7405-006	6	26	19	12	
		AL/7405-008	8	32	27	17	

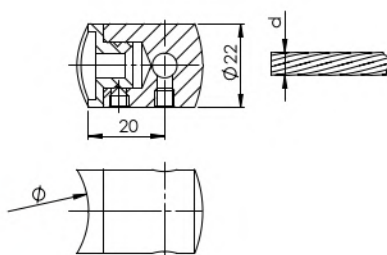


Quality	Finish	art.
AISI316	satin	A14/7402-005

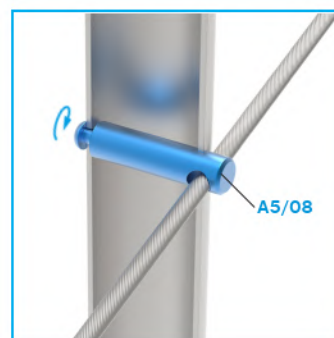
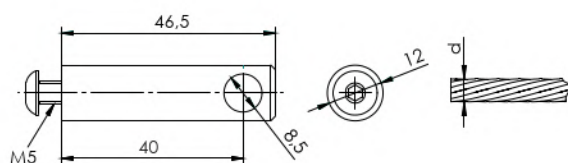


Quality	Finish	art.	anchor system
AISI304	satin	A/0830-000	C5
		A/0830-000-SCREW	
AISI316		A14/0830-000	
AISI304		A/0830-042	
AISI316		A/0830-042-SCREW	
AISI316		A14/0830-042	

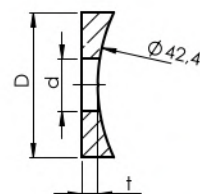
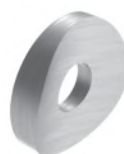
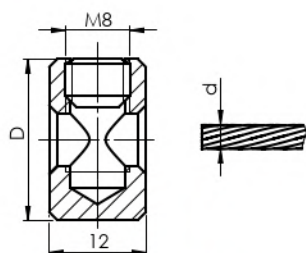
top



Quality	Finish	Ø	art.	d	anchor system
AISI304	satin	42,4	A17/442-3	3	C5
			A17/442		
		flat	A17/400	6	
AISI316		42,4	A14/442		
		flat	A14/400		

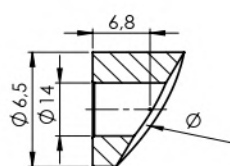


Quality	Finish	art.	d
AISI304	satin	A5/08	4-8



Quality	Finish	art.	d	D	anchor system
AISI316	satin	A14/7400-003	3	18	C1
		A14/7400-005	3-6	20	

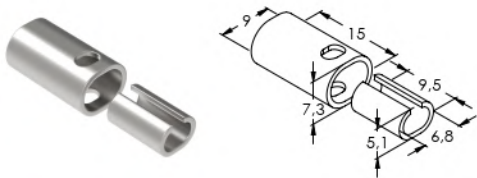
Quality	Finish	art.	t	D	d	anchor system
AISI316	satin	A14/012-02	2	18	6,5	C1
AISI304		A/012-07	7	20	12,5	



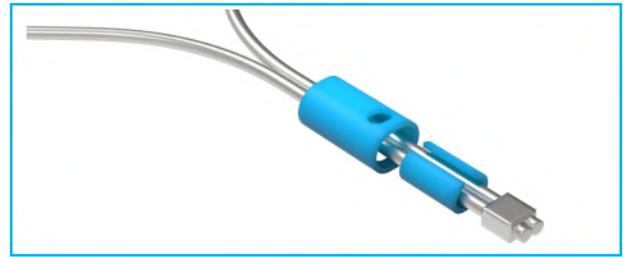
Quality	Finish	art.	Ø
AISI316	satin	A14/012-30-000	flat
		A14/012-30-042	42,4

CABLE MESH HOLDERS

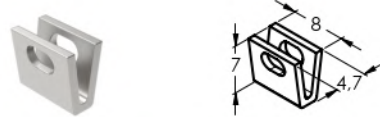




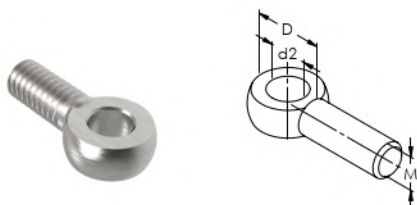
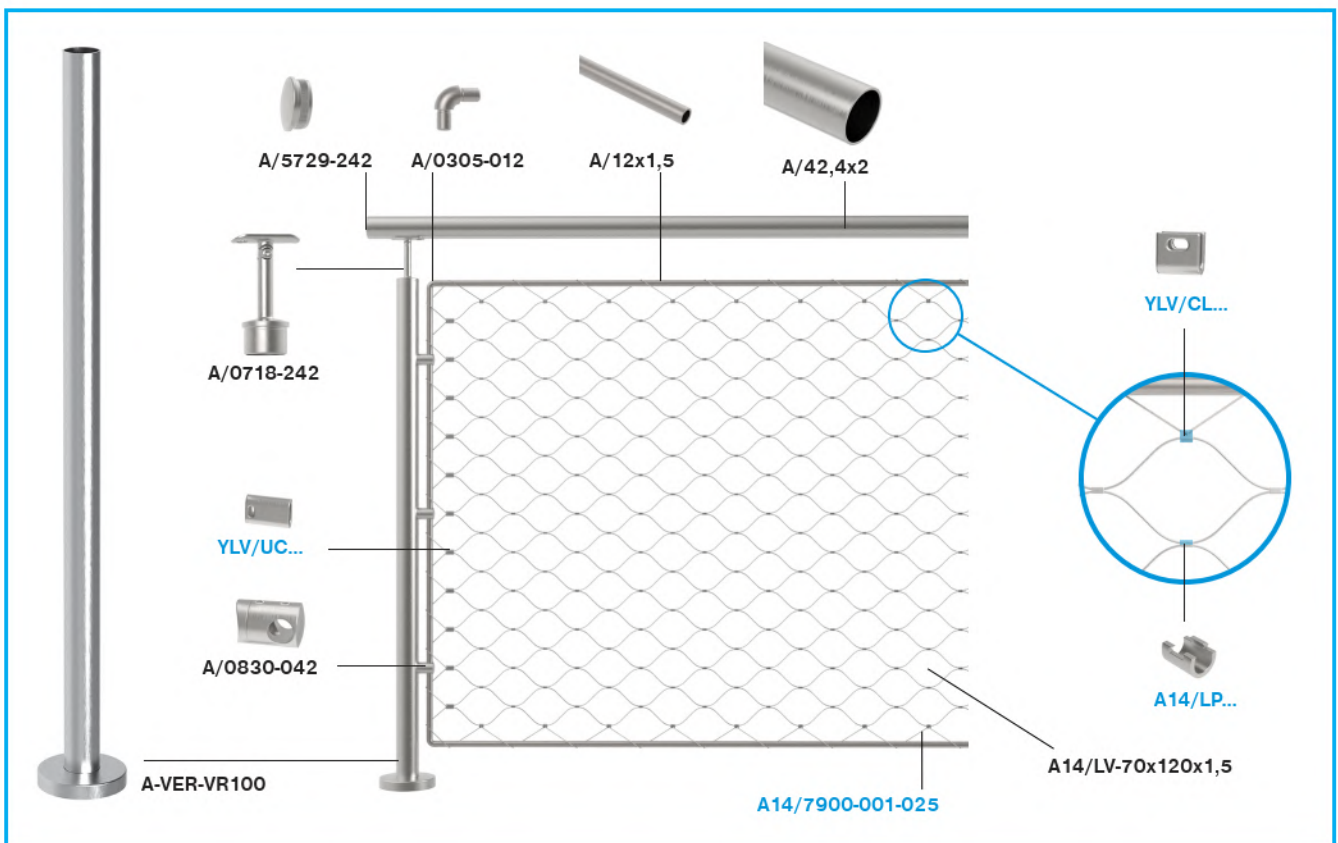
Quality	Finish	art.	pcs/h
AISI316	satin	YLV/UC-15,0x9,0/1,5-316	11



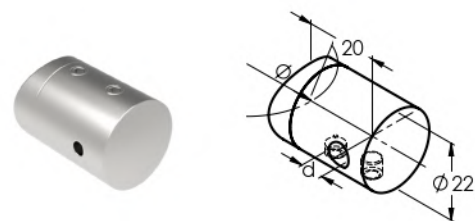
Quality	Finish	art.
AISI316	natural	A14/LP-7,0x4,5/1,5



Quality	Finish	art.	pcs/m
AISI316	satin	YLV/CL-7,0x7,5/2,4-316	16



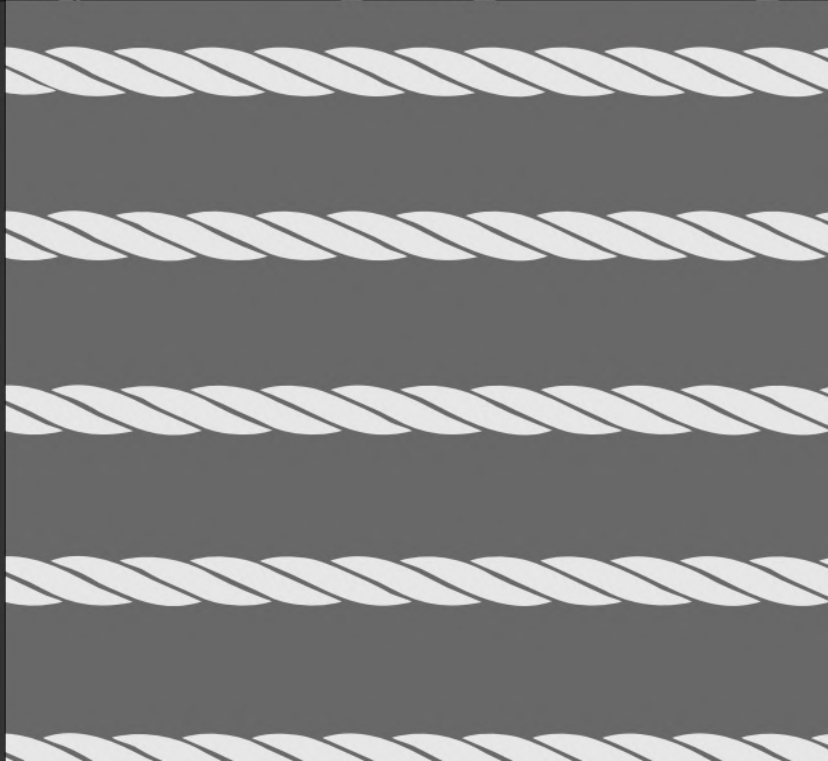
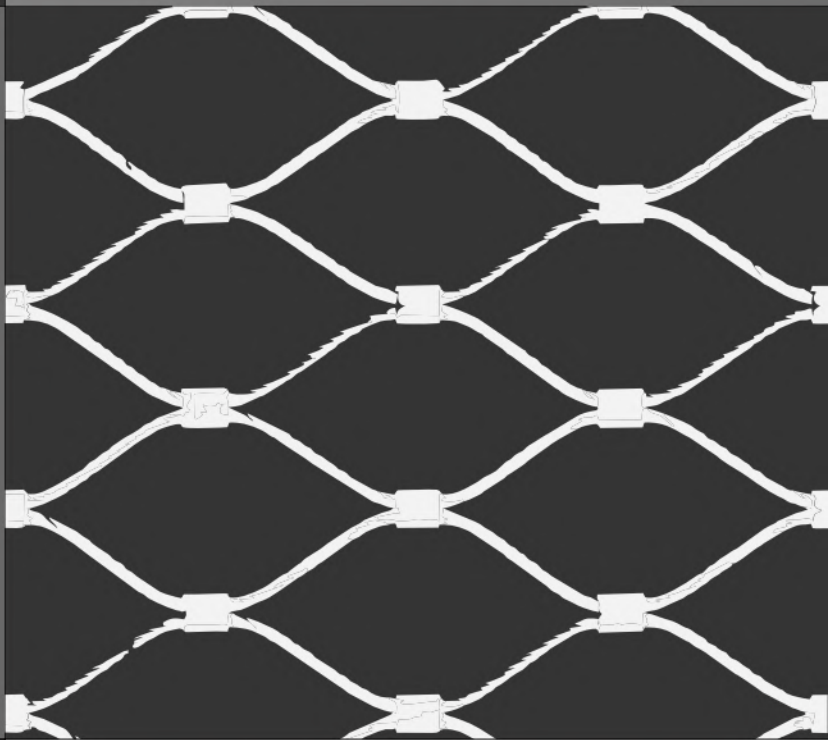
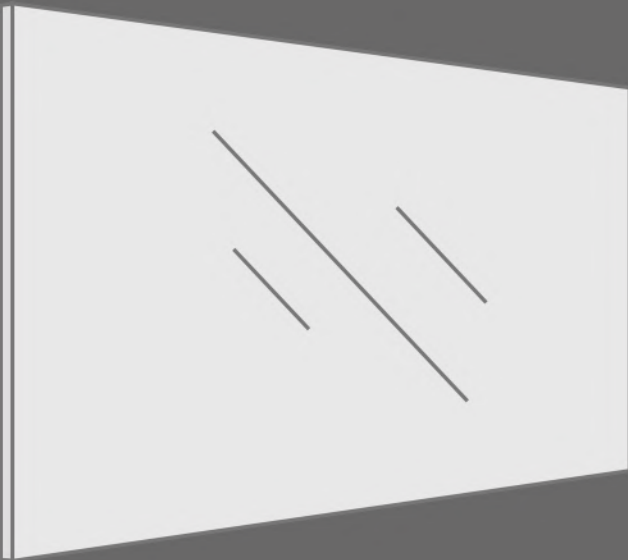
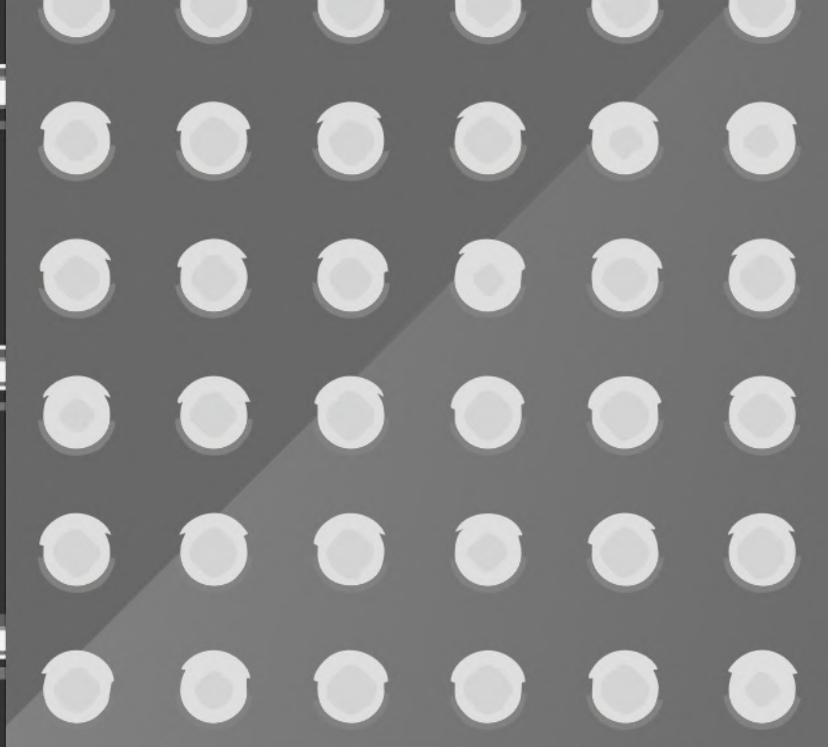
Quality	Finish	art.	d2	M	D
AISI316	satin	A14/7350-003	6,0	6	12
		A14/7350-005	9,5	10	20

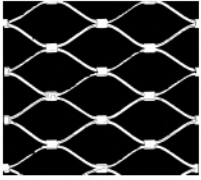


Quality	Finish	Ø	art.	d
AISI304	satin	42,4	A17/442-3	3
		flat	A17/400	
AISI316	flat	42,4	A14/442	6
		flat	A14/400	

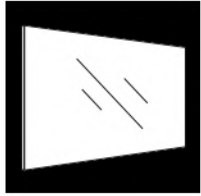
3

INFILLS





CABLE MESH INFILLS



GLASS INFILLS

COMPONENTS

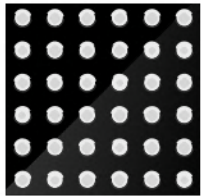


PLATE INFILLS

COMPONENTS

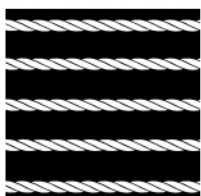


BAR / TUBE INFILLS

COMPONENTS

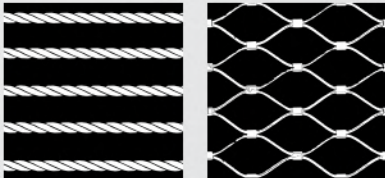
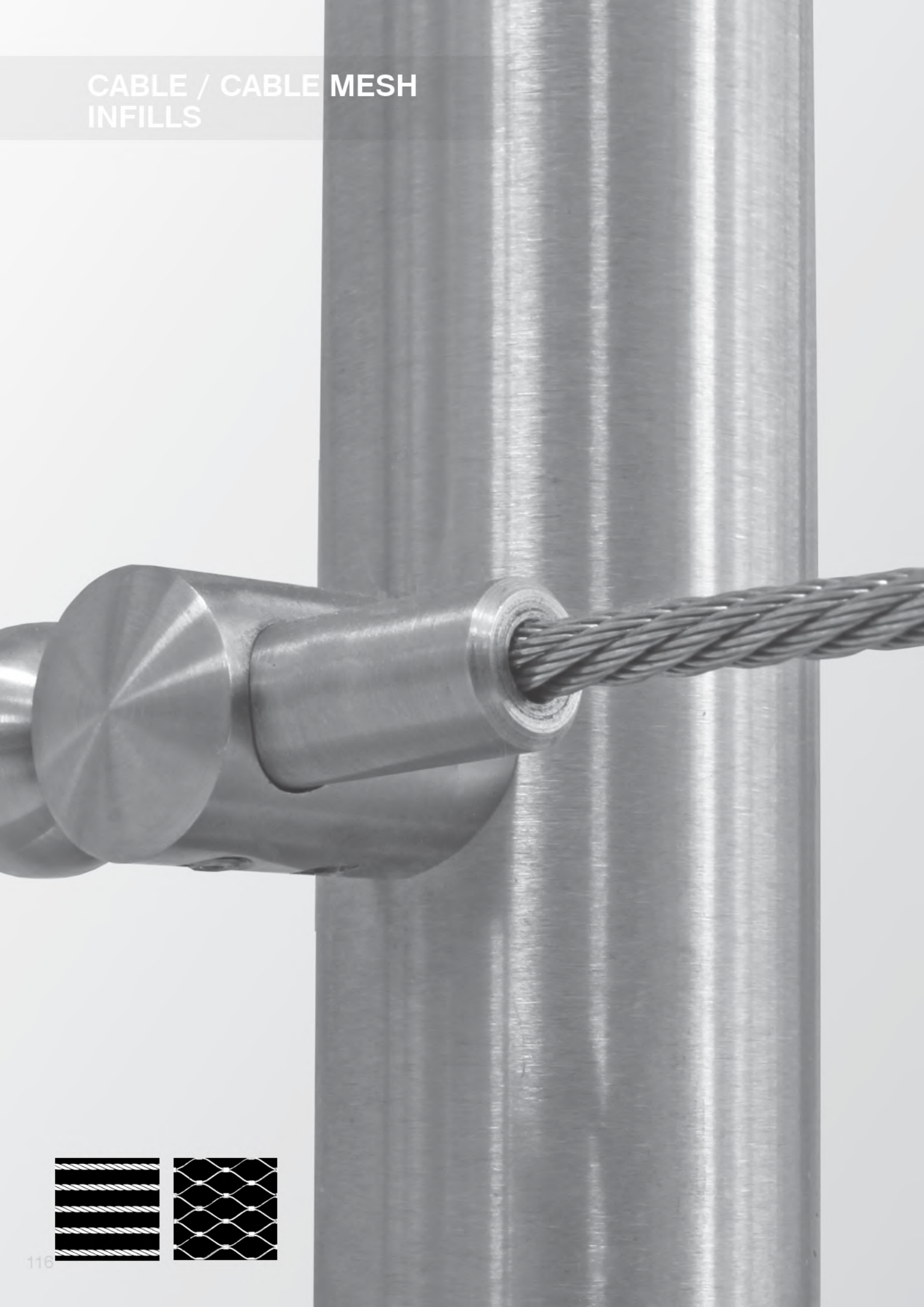


VERTICAL INFILLS



CABLE INFILLS

CABLE / CABLE MESH
INFILLS



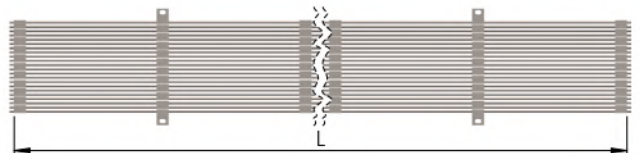
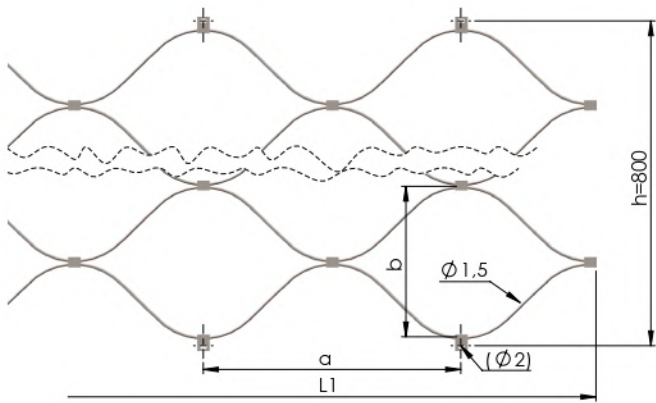
SYSTEM CABLE



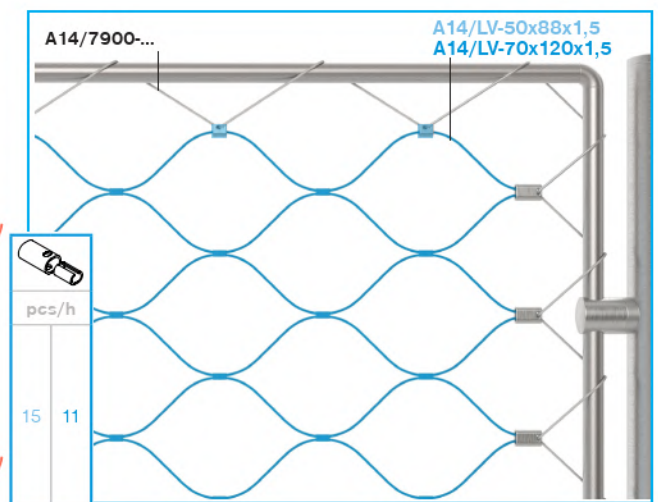
Quality	Finish	art.	d	L (m)	
AISI316	raw	A14/7900-001-025	1,5	25	
	black	A14/7900-001-025-B			
	raw	A14/7900-003-012	3	12,5	
		A14/7900-003-025		25	
		A14/7900-003-050		50	
		A14/7900-003-100		100	
		A14/7900-003-200		200	
		A14/7900-004-012		4	12,5
		A14/7900-004-025			25
		A14/7900-004-050			50
		A14/7900-004-100			100
		A14/7900-004-200			200
	A14/7900-005	m			
	raw	A14/7900-005-012	5	12,5	
		A14/7900-005-025		25	
		A14/7900-005-050		50	
		A14/7900-005-100		100	
		A14/7900-005-200		200	

Quality	Finish	art.	d	L (m)
AISI316	raw	A14/7900-006-012	6	12,5
		A14/7900-006-025		25
		A14/7900-006-050		50
		A14/7900-006-100	8	100
		A14/7900-006-200		200
		A14/7900-008-050		50
		A14/7900-008-100		100

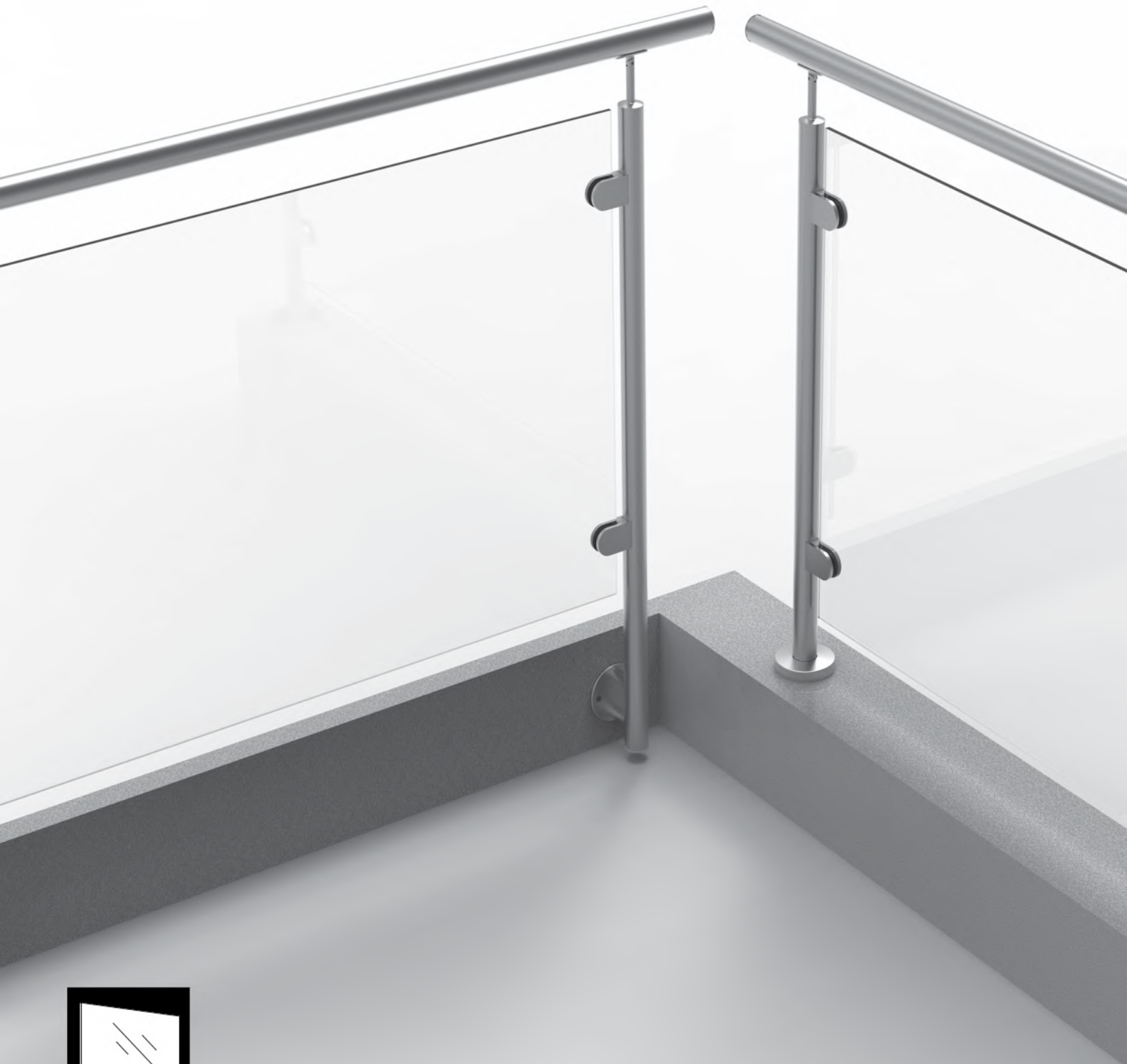
SYSTEM CABLE MESH

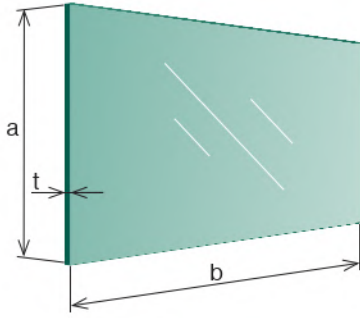


Quality	Finish	art.	L (m) (1,18xL1)	a	b	L1 (m) (L/1,15)	L1 (m) (L/1,18)
AISI316	raw	A14/LV-50x88x1,5	m	88	50	87	
		A14/LV-50x88x1,5-100	100				
		A14/LV-70x120x1,5	m	120	70	85	4,3
		A14/LV-70x120x1,5-5	5				
		A14/LV-70x120x1,5-10	10				
		A14/LV-70x120x1,5-100	100				
	black	A14/LV-70x120x1,5-B	m	100			85
		A14/LV-70x120x1,5-B-100	100				

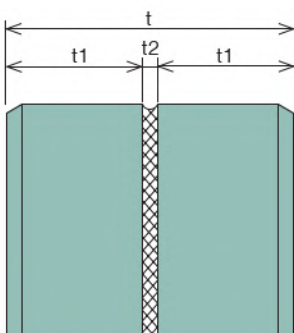


GLASS INFILLS





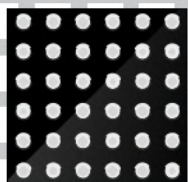
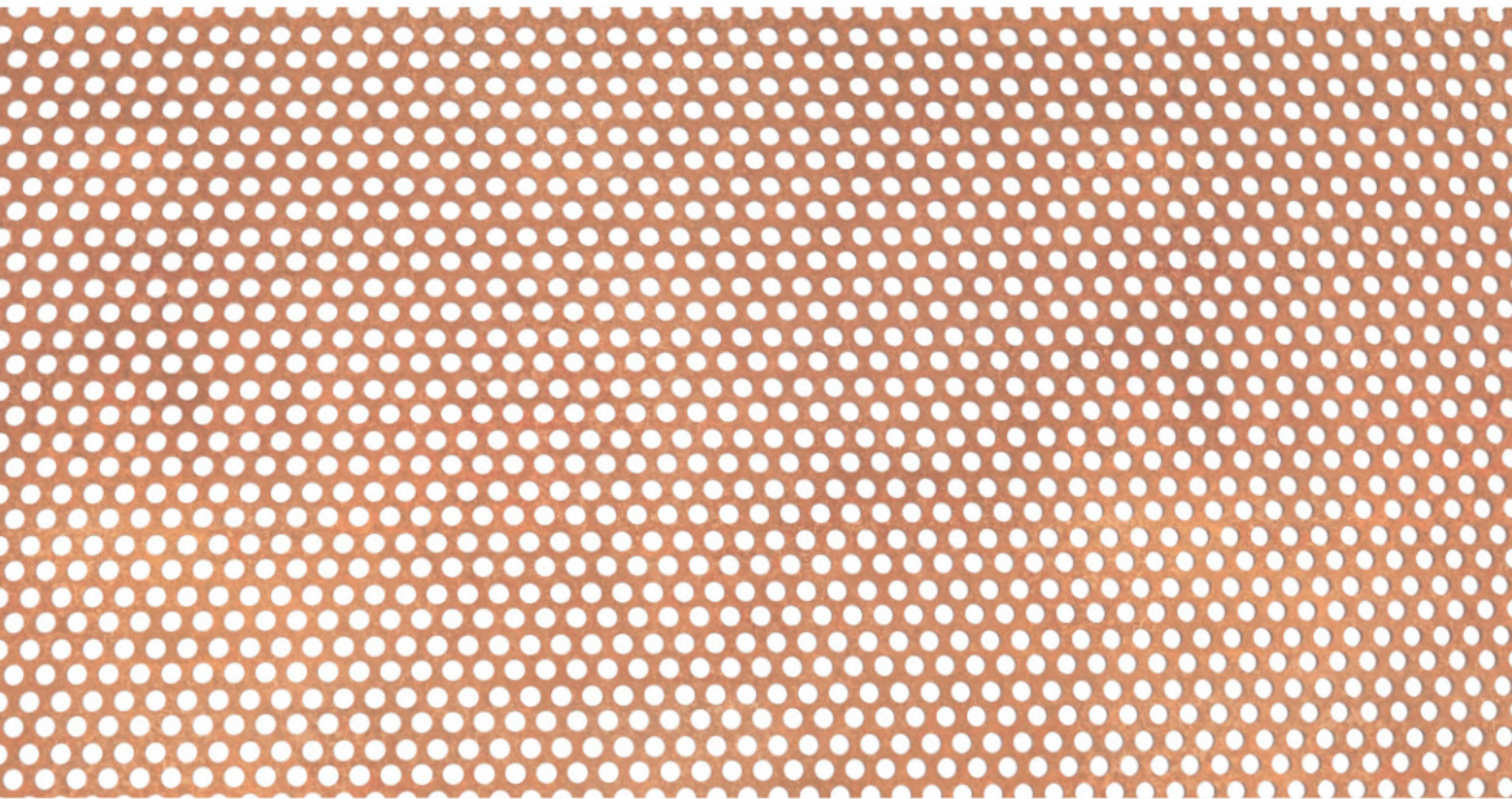
Quality	art.	t	a	b
VSG/ESG 4.4.2	GS/8,76-70x75-VSG/ESG	8,76	750	700
	GS/8,76-80x75-VSG/ESG			800
	GS/8,76-90x75-VSG/ESG			900
	GS/8,76-100x75-VSG/ESG			1000
VSG/ESG 5.5.2	GS/10,76-110x75-VSG/ESG	10,76		1100
	GS/10,76-120x75-VSG/ESG			1200
VSG/ESG 6.6.2	GS/12,76-100x60-VSG/ESG	12,76	1000	600
	GS/12,76-100x70-VSG/ESG			700
	GS/12,76-100x80-VSG/ESG			800
	GS/12,76-100x90-VSG/ESG			900
	GS/12,76-100x100-VSG/ESG			1000
VSG/ESG 8.8.2	GS/16,76-100x40-VSG/ESG	16,76	1000	400
	GS/16,76-100x50-VSG/ESG			500
	GS/16,76-100x60-VSG/ESG			600
	GS/16,76-100x70-VSG/ESG			700
	GS/16,76-100x80-VSG/ESG			800
	GS/16,76-100x90-VSG/ESG			900
	GS/16,76-100x95-VSG/ESG			950
	GS/16,76-100x100-VSG/ESG			1000
VSG/ESG 8.8.2	GS/16,76-110x60-VSG/ESG	16,76	1100	600
	GS/16,76-110x70-VSG/ESG			700
	GS/16,76-110x80-VSG/ESG			800
	GS/16,76-110x90-VSG/ESG			900
	GS/16,76-110x95-VSG/ESG			950
	GS/16,76-110x100-VSG/ESG			1000
VSG/ESG 8.8.2	GS/16,76-120x40-VSG/ESG	16,76	1200	400
	GS/16,76-120x50-VSG/ESG			500
	GS/16,76-120x60-VSG/ESG			600
	GS/16,76-120x70-VSG/ESG			700
	GS/16,76-120x80-VSG/ESG			800
	GS/16,76-120x90-VSG/ESG			900
	GS/16,76-120x95-VSG/ESG			950
	GS/16,76-120x100-VSG/ESG			1000
	GS/16,76-120x110-VSG/ESG			1100

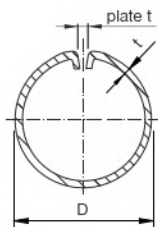


VSG Glass	4.4.1	4.4.2	5.5.1	5.5.2	6.6.1	6.6.2	8.8.2	8.8.4	12.12.4
t1	2x4	2x4	2x5	2x5	2x6	2x6	2x8	2x8	2x12
t2	0,38	0,76	0,38	0,76	0,38	0,76	0,76	1,52	1,52
t	8,38	8,76	10,38	10,76	12,38	12,76	16,76	17,52	25,52

Glass	FLOAT, ESG								
t1 (mm)	3	4	5	6	8	10	12	15	19
Tolerance (± mm)	0,2	0,2	0,2	0,2	0,3	0,3	0,3	0,5	1,0
Weight (kg/m ²)	7,5	10	12,5	15	20	25	30	37,5	47,5

PLATE INFILLS

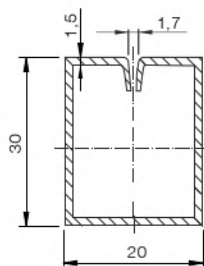




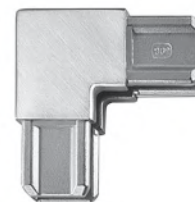
Quality	Finish	art.	D	L	plate t	t
AISI304	satin	A/18-frame	18	3000	1,7	1,25
		A/27-frame	27		1,3	1,50



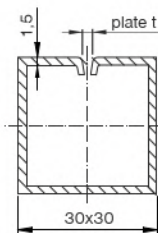
Quality	Finish	art.	Compatibility
AISI304	satin	A/18-G90	A/18-frame
		A/27-G90	A/27-frame



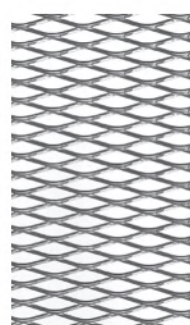
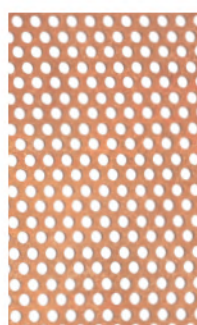
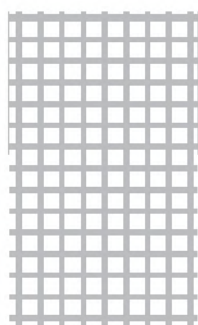
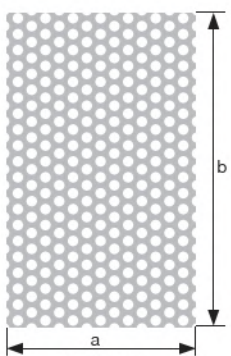
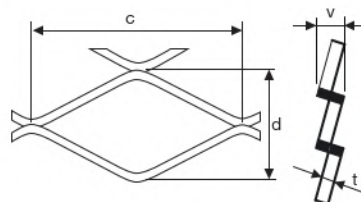
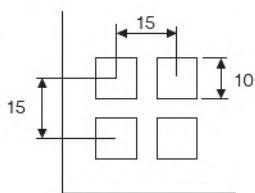
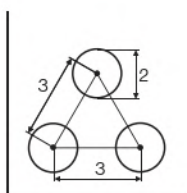
Quality	Finish	art.	D	plate t	L
AISI304	satin	A/20x30x2-frame	20x30	1,7	3000



Quality	Finish	art.	Compatibility
AISI304	satin	A/20x30x2-G90	A/20x30x2-frame



Quality	Finish	art.	D	plate t	t	L
AISI304	satin	A/30x30x4-frame	30x30	4	1,5	3000
		A/30x30x7,5-frame	30x30	7,5		



A/MR-2x3

A/MR-10x15

CA/MR-20x27

A/MR-28x13x2

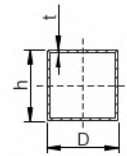
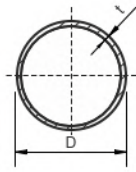
A/MR-62x20x3

Quality	Finish	art.	axb	t
AISI304	satin	A/MR-2x3	1000x2000	1
		A/MR-10x15		2
CORTEN	raw	CA/MR-20x27	1500x2000	1,5

Quality	Finish	art.	axb	c	d	t	v
AISI304	satin	A/MR-28x13x2	1000x2000	28	13	1	3,8
		A/MR-62x20x3		62	20	2	5,7
CORTEN	raw	CA/MR-62,5x22x9	1500x2000	62,5	22	1,5	N/A

BAR/TUBE INFILLS

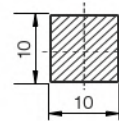




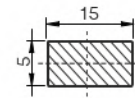
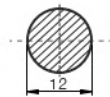
Quality	Finish	art.	D	t	L
AISI304	satin	A/12x1,5-1000	12	1,5	1000
		A/12x1,5-1500			1500
		A/12x1,5-2000			2000
		A/12x1,5-3000			3000
		A/12x1,5-4000			4000
		A/12x1,5-5000			5000
		A/12x1,5-6000			6000
		A/14x1,5-3000			3000
		A/14x1,5-6000			6000
		A/16x1,5-3000			3000
A/16x1,5-6000	6000				
AISI304	polish	A/12x1,5-3000-L	12		3000
		A/12x1,5-6000-L	12		6000
AISI316	satin	A14/12x1,5-3000	12		3000
		A14/12x1,5-6000	12		6000
AISI316	polish	A14/12x1,5-6000-L	12		

top

Quality	Finish	art.	D	h	t	L
AISI304	satin	A/10x10x1-6000	10	10	1	6000
		A/12x12x1-6000	12	12		

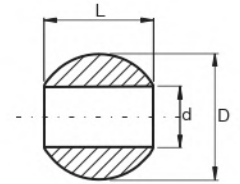
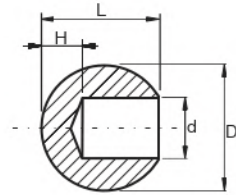
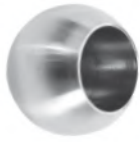


Quality	Finish	art.	L
AISI304	satin	A/10x10-3000	3000



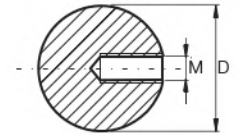
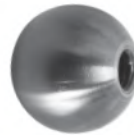
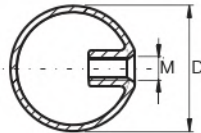
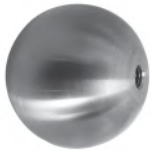
Quality	Finish	art.	D	L
AISI304	satin	A/12-3000	12	3000
		A/12-6000		6000

Quality	Finish	art.	L
AISI304	satin	A/15x5-2000	2000
		A/15x5-4000	4000



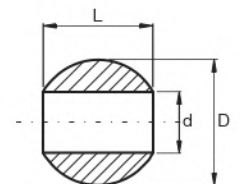
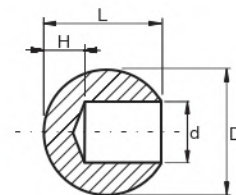
Quality	Finish	d	art.	D	L	H
AISI304	satin	10	A/0221-010	20	19	7
			A/0221-2510	25	23	10
		12	A/0221-012	20	18	5
			A/0221-2512	25	24	12
			A/0221-3012	30	28	13
			A/0221-2514	25	22	8
	14	A/0221-014	20	17	6	
		A/0221-016	25	22	9	
	polish	12	A/0221-012-L	20	18	6
		16	A/0221-016-L	25	22	9
AISI316	satin	12	A14/0221-012	20	18	6
	polish		A14/0221-012-L			

Quality	Finish	d	art.	D	L
AISI304	satin	12	A/0224-2012	20	15,5
			A/0224-2512	25	22
		14	A/0224-3012	30	27
			A/0224-3014	30	26



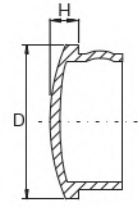
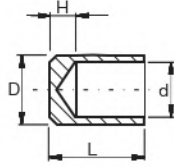
Quality	Finish	D	art.	M
AISI304	satin	40	A/0220-040-R	8
		50	A/0220-050-R	
			A/0220-050-R-B	10
		60	A/0220-060	8
		70	A/0220-070	
		68	A/0220-070-B	
		80	A/0220-080-R	
		100	A/0220-100	10
		97	A/0220-100-B	
		120	A/0220-120	
		150	A/0220-150	
		200	A/0220-200	12
	polish	50	A/0220-050-R-L	8
		80	A/0220-080-R-L	10

Quality	Finish	D	art.	M
AISI304	satin	15	A/0220-015	6
		20	A/0220-020	
		25	A/0220-025	
		30	A/0220-030	8
		40	A/0220-040	



Quality	Finish	d	art.	D	L	H
Brass	polish	12	B/0221-2512	25	23	7

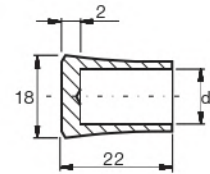
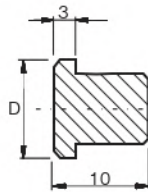
Quality	Finish	d	art.	D	L
Brass	polish	12	B/0224-2512	25	22



Quality	Finish	d	art.	D	L	H
AISI304	satin	10	A10/0015-010	15	15	5
		12	A10/0015-012-A			
		14	A10/0015-014			
		16	A10/0015-016			
	polish	12	A10/0015-012-L	14	15	5
		16	A10/0015-016-L	18	21	6
AISI316	satin	12	A14/0015-012-A	15	15	5
		14	A14/0015-014	16		
		16	A14/0015-016	18	21	6

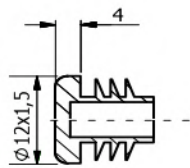
top

Quality	Finish	D	art.	H
AISI316	satin	12x1,0-1,5	A14/0014-012	3

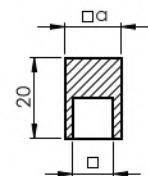
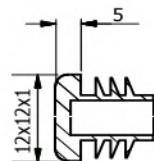


Quality	Finish	D	art.
AISI304	satin	12x1,5	A10/0010-012
		16x1,5	A10/0010-016

Quality	Finish	d	art.
AISI304	satin	10	A10/0017-010
		12	A10/0017-012



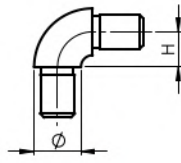
Quality	Finish	D	art.
PVC	gray	12 x 1,5	A10/12-PVC



Quality	Finish	∅	art.
PVC	gray	12x12x1	A9/12x12-PVC

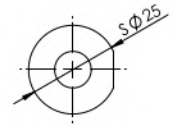
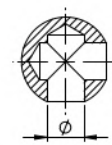
Quality	Finish	art.	∅	a
AISI304	satin	A10/4023-012	10x10	14
		A10/4023-12x12	12x12	16

SYSTEM **FIX**



Quality	Finish	\varnothing	art.	H
AISI304	satin	12x1,5	A/0305-012	9
		16x1,5	A/0305-016	11

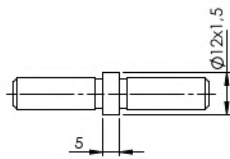
top



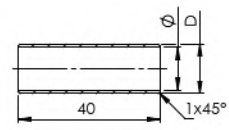
Quality	Finish	\varnothing	art.
AISI304	satin	10	A/0220-210
		12	A/0220-225

3

INFILLS

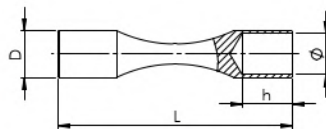


Quality	Finish	art.
AISI304	satin	A/0041-012-B
AISI316		A14/0041-012

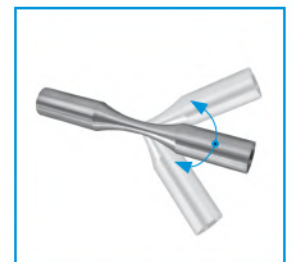


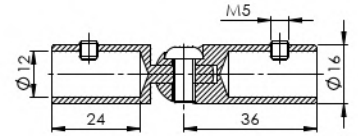
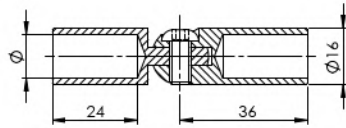
Quality	Finish	\varnothing	art.	D
AISI304	satin	10	A/0040-010	12
		12	A/0040-012	14
		14	A/0040-014	16
		16	A/0040-016	18

SYSTEM **FLEX**



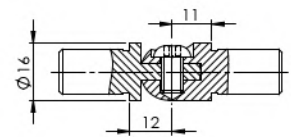
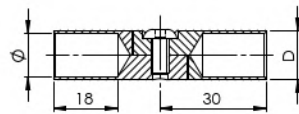
Quality	Finish	\varnothing	art.	L	D	h
AISI304	satin	10	A/0012-010	80	12	19,5
		12	A/0012-012-B	70	14	15





Quality	Finish	Ø	art.
AISI304	satin	12	A/0302-012
		14	A/0302-014
AISI316	polish	12	A14/0302-012
			A14/0302-012-L

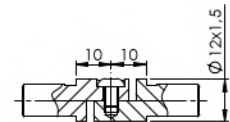
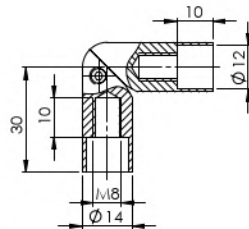
Quality	Finish	art.
AISI304	satin	A/0302-012-B



Quality	Finish	Ø	art.	D
AISI304	satin	10	A/0302-010-S	12
AISI316		12	A/0302-012-S	14
			A14/0302-012-S	

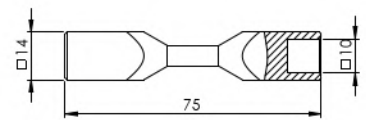
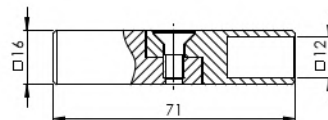
top

Quality	Finish	art.
AISI304	satin	A/0302-016



Quality	Finish	art.
AISI304	satin	A/0313-012

Quality	Finish	Ø	art.
AISI304	satin	12	A/0302-012-C



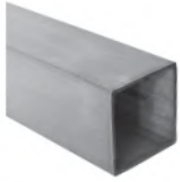
Quality	Finish	art.
AISI304	satin	A/4012-012

Quality	Finish	art.
AISI304	satin	A/4010-012

4

HANDRAILS





HANDRAILS / PROFILES



ROUND

D12
D14
D16
D20
D25
D33,7
D42,4
D48,3



SQUARE

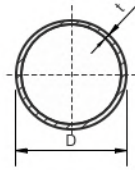
10x10
12x12
20x20
25x25
30x30
40x40
60x60
80x80



15x5
40x20
50x30
60x40



HANDRAIL COMPONENTS



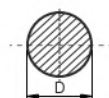
Quality	Finish	art.	D	t	L
AISI304	satin	A/12x1,5-1000	12	1,5	1000
		A/12x1,5-1500			1500
		A/12x1,5-2000			2000
		A/12x1,5-3000			3000
		A/12x1,5-4000			4000
		A/12x1,5-5000			5000
		A/12x1,5-6000			6000
		A/14x1,5-3000	14	3000	
		A/14x1,5-6000		6000	
		A/16x1,5-3000	16	3000	
		A/16x1,5-6000		6000	
		A/20x1,5-3000	20	3000	
		A/20x1,5-6000		6000	
		A/25x2-2000	25	2000	
		A/25x2-6000		6000	
		A/33,7x2-3000	33,7	3000	
		A/33,7x2-6000		6000	
CORTEN	raw	CA/40x2-6000	40		6000

top

new

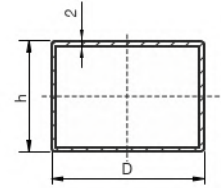
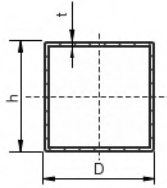
Quality	Finish	art.	D	t	L
AISI304	satin	A/42,4x1,5-3000	42,4	1,5	3000
		A/42,4x1,5-6000			6000
		A/42,4x2-1000	42,4	2	1000
		A/42,4x2-1000-EXCLUSIVE			
		A/42,4x2-1500	42,4	2	1500
		A/42,4x2-1500-EXCLUSIVE			
		A/42,4x2-2000	42,4	2	2000
		A/42,4x2-2000-EXCLUSIVE			
		A/42,4x2-3000	42,4	2	3000
		A/42,4x2-3000-EXCLUSIVE			
		A/42,4x2-4000	42,4	2	4000
		A/42,4x2-4000-EXCLUSIVE			
		A/42,4x2-5000	42,4	2	5000
		A/42,4x2-5000-EXCLUSIVE			
		A/42,4x2-5750-EXCLUSIVE	42,4	2	5750
		A/42,4x2-6000			6000
		A/42,4x2-6000-EXCLUSIVE	42,4	2	6000
		A/48,3x2-3000			48,3
		A/48,3x2-6000	6000		
		AISI304	polish	A/12x1,5-3000-L	12
A/12x1,5-6000-L	6000				
A/42,4x2-1500-L	42,4			2	1500
A/42,4x2-2000-L					2000
A/42,4x2-3000-L					3000
A/42,4x2-6000-L	6000				
AISI316	satin	A14/12x1,5-3000	12	1,5	3000
		A14/12x1,5-6000			6000
	A14/42,4x2-3000	42,4	2	3000	
	A14/42,4x2-6000				
polish	A14/12x1,5-6000-L	12	1,5	6000	
	A14/42,4x2-6000-L			42,4	2

top



Quality	Finish	art.	D	L
AISI304	satin	A/12-3000	12	3000
		A/12-6000		6000
		A/20-3000	20	3000
		A/20-6000		6000

General tolerances
T3/D3 EN 10217-7
 (t ±10%, max ±0,2mm;
 D ±0,75%, max ±0,3mm)

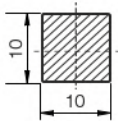


Quality	Finish	art.	D	h	t	L	
AISI304	satin	A/10x10x1-6000	10	10	1	6000	
		A/12x12x1-6000	12	12			
		A/20x20x1,5-6000	20	20	1,5		
		A/25x25x2-6000	25	25			
		A/30x30x2-6000	30	30			
		A/40x40x2-1000					1000
		A/40x40x2-1500					1500
		A/40x40x2-2000					2000
		A/40x40x2-3000					3000
		A/40x40x2-4000	40	40	2		4000
		A/40x40x2-5000					5000
		A/40x40x2-6000					
		A/40x40x2-6000-EXCLUSIVE					6000
	A/60x60x2-6000	60	60				
A/80x80x2-6000	80	80					
	polish	A/40x40x2-6000-L				6000	
AISI316	satin	A14/40x40x2-3000	40	40	2	3000	
		A14/40x40x2-6000				6000	
CORTEN	raw	CA/40x40x2-6000			2,5		

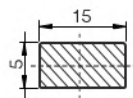
top

new

Quality	Finish	art.	D	h	L
AISI304	satin	A/40x20x2-6000	40	20	6000
		A/50x30x2-6000	50	30	
		A/60x40x2-6000	60	40	

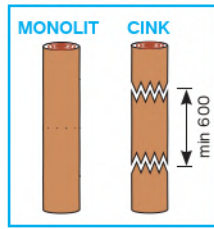
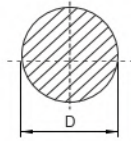


Quality	Finish	art.	L
AISI304	satin	A/10x10-3000	3000



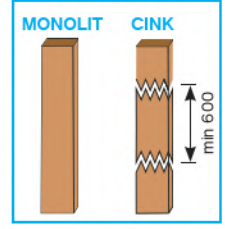
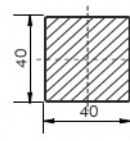
Quality	Finish	art.	L
AISI304	satin	A/15x5-2000	2000
		A/15x5-4000	4000

General tolerances
T3/D3 EN 10217-7
 (t ±10%, max ±0,2mm;
 D ±0,75%, max ±0,3mm)

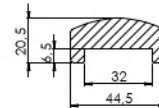


Quality	Finish	art.	D	L			
Beech	natural	WB/D42-L1200	42	1200			
		WB/D42-L1200-CINK					
		WB/D42-L1600		1600			
		WB/D42-L1600-CINK					
		WB/D42-L2000		2000			
		WB/D42-L2000-CINK					
		WB/D42-L2500		2500			
		WD/D42-L2500-CINK					
		WB/D42-L3000		3000			
		WB/D42-L3000-CINK					
		WB/D42-L4000-CINK		4000			
		WB/D50-L3000-CINK					
		Oak		natural	WD/D42-L1200	42	1200
					WD/D42-L1200-CINK		
WD/D42-L1600	1600						
WD/D42-L1600-CINK							
WD/D42-L2000	2000						
WD/D42-L2000-CINK							
WD/D42-L2500	2500						
WD/D42-L2500-CINK							
WD/D42-L3000	3000						
WD/D42-L3000-CINK							
WD/D42-L4000-CINK	4000						
WD/D50-L3000							

top



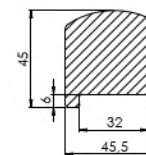
Quality	Finish	art.	L
Beech	natural	WB/40x40-L2000	2000
		WB/40x40-L2000-CINK	
		WB/40x40-L2500	2500
		WB/40x40-L2500-CINK	
		WB/40x40-L3000	3000
		WB/40x40-L3000-CINK	
		WB/40x40-L4000-CINK	4000
Oak	natural	WD/40x40-L2000	2000
		WD/40x40-L2000-CINK	
		WD/40x40-L2500	2500
		WD/40x40-L2500-CINK	
		WD/40x40-L3000	3000
		WD/40x40-L3000-CINK	
		WD/40x40-L4000-CINK	4000



Quality	Finish	art.	L
Spruce	natural	WS/45x20-L3000	3000



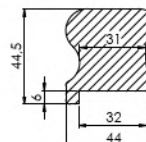
Quality	Finish	art.	L
Beech	natural	WB/6925-042-17-CINK	2500
Oak	natural	WD/6925-042-17-CINK	



Quality	Finish	art.	L
Spruce	natural	WS/45x45-L3000	3000

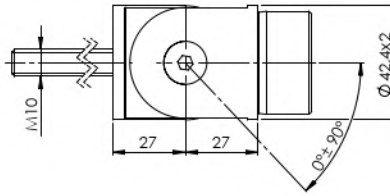


Quality	Finish	art.	L
Beech	natural	WB/6925-040-17-CINK	2500
Oak	natural	WD/6925-040-17-CINK	

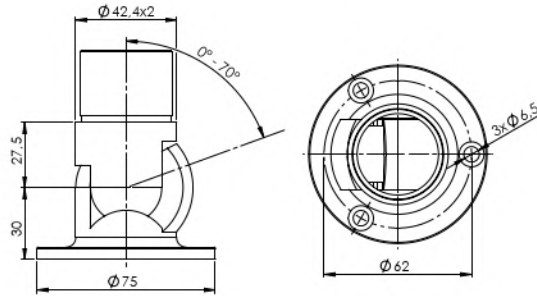


Quality	Finish	art.	L
Spruce	natural	WS/45x45-R-L3000	3000

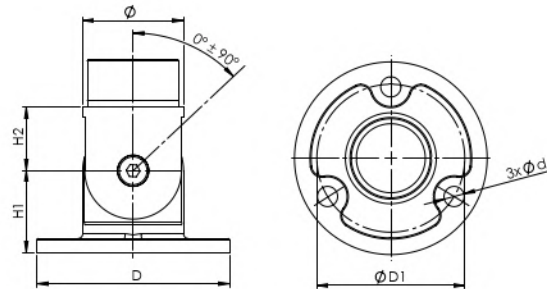
SYSTEM FLEX



Quality	Finish	art.
AISI304	satın	A/0315-242

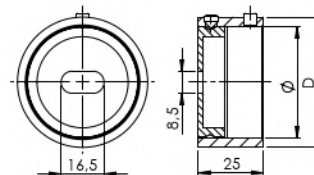


Quality	Finish	art.
AISI304	satın	A/0506-242
		A/0506-242-B



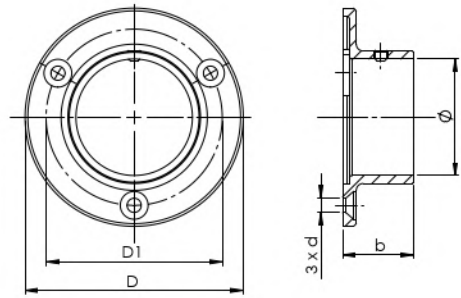
Quality	Finish	Ø	art.	D	D1	H1	H2	d
AISI304	satın	33,7x2	A/0945-233	70	50	29	21	6,5
			A/0945-242-B	83	62	35	27	8,5
AISI316		42,4x2	A14/0945-242-B					
			A14/0945-242-C	80	60	38		9

SYSTEM FIX



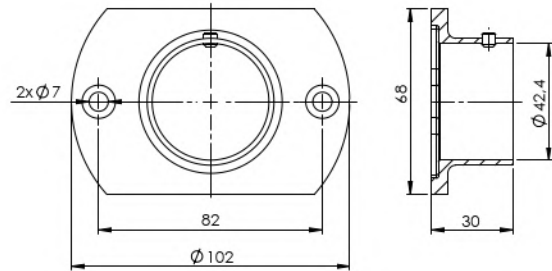
Quality	Finish	Ø	art.	D
AISI304	satın	33,7	A/0504-233	42
		42,4	A/0504-242	50
	polish	42,4	A/0504-242-L	50
AISI316	satın	33,7	A14/0504-233	42
		42,4	A14/0504-242	50

top

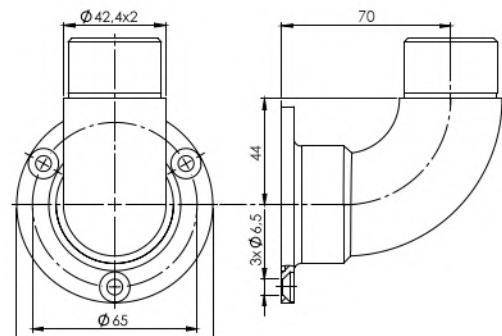
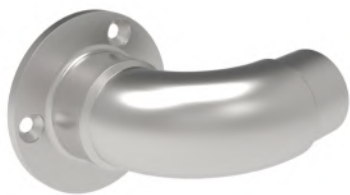


Quality	Finish	Ø	art.	D	D1	b	d
AISI304	satin	33,7	A/0505-033	85	65	30	5
			A/0505-033-B (WELD)				
		42,4	A/0505-042	95	71		
	polish	48,3	A/0505-048	100	77	30	6,5
		42,4	A/0505-042-L	95	71	25	5
AISI316	satin	42,4	A14/0505-042	80	64	30	5
			A14/0505-042-B	80	65	25	5
	polish	48,3	A14/0505-048	100	77	28	5,5
		42,4	A14/0505-042-B-L	85	64	25	6,5
48,3	A14/0505-048-L	100	77	28	5,5		

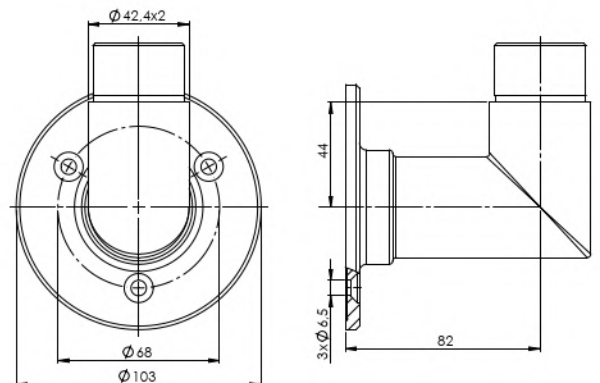
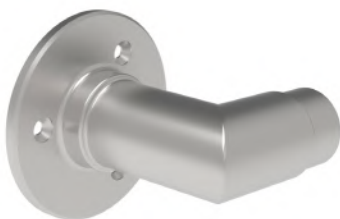
top



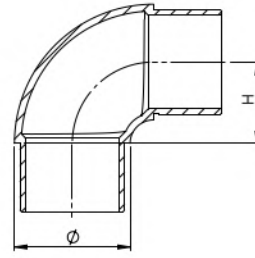
Quality	Finish	art.
AISI304	satin	A/0503-042



Quality	Finish	art.
AISI304	satin	A/0507-242
AISI316		A14/0507-242

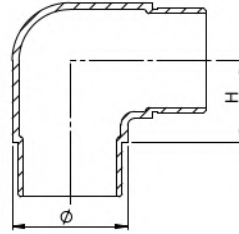


Quality	Finish	art.
AISI304	satin	A/0509-242

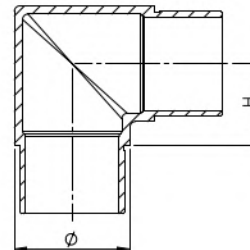


Quality	Finish	Ø	art.	H
AISI304	satin	33,7x2,0	A/0305-233	36
		42,4x2,0	A/0305-242	30
	polish	48,3x 2,0	A/0305-248	35
		42,4x2,0	A/0305-242-L	30
AISI316	satin	48,3x 2,0	A/0305-248-L	35
	polish	42,4x2,0	A14/0305-242-B	30
			A14/0305-242-L	

top

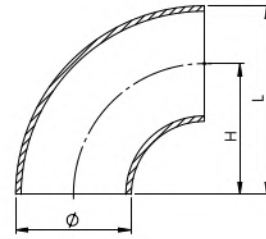


Quality	Finish	Ø	art.	H
AISI304	satin	33,7x2,0	A/0303-233	25
		42,4x2,0	A/0303-242	30
	polish	48,3x2,0	A/0303-248	31
		42,4x2,0	A/0303-242-L	30
AISI316	satin	48,3x2,6	A14/0303-242	35
	polish	42,4x2,0	A14/0303-249	30

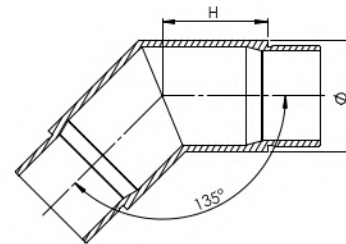


Quality	Finish	Ø	art.	H
AISI304	satin	33,7x2,0	A/0301-233-S	20
		42,4x2,0	A/0301-242	30
	polish	48,3x2,0	A/0301-248	44
		42,4x2,0	A/0301-242-L	30
AISI316	satin	48,3x2,6	A14/0301-242	44
			A14/0301-242-S	44
			A14/0301-249	35

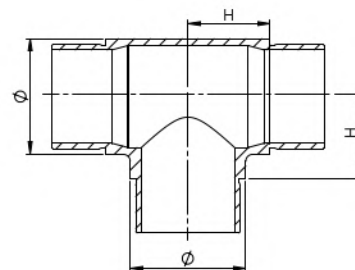
top



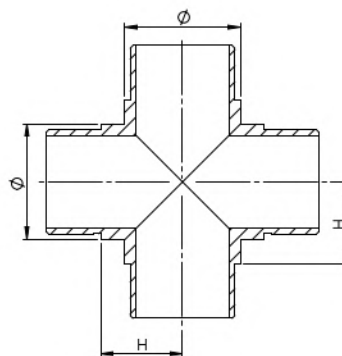
Quality	Finish	Ø	art.	H	L
AISI304	satin	33,7x2,0	A/1305-233	38	55
		42,4x2,0	A/1305-242	48	69
		48,3x2,0	A/1305-248	57	81
	polish	42,4x2,0	A/1305-242-L	48	69
	raw	33,7x2,0	A/1305-233-N	38	55
AISI316	satin	42,4x2,0	A14/1305-242	48	69



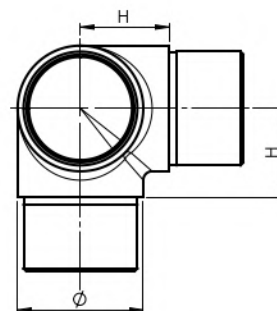
Quality	Finish	Ø	art.	H
AISI304	satin	33,7x2,0	A/0300-233	25
AISI316		42,4x2,0	A/0300-242-B	30
		48,3x2,0	A14/0300-242-B	35
		48,3x2,0	A14/0300-248	35



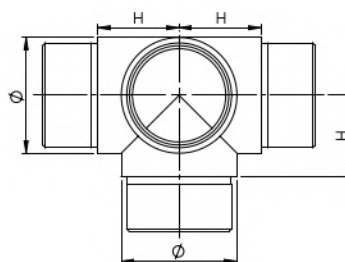
Quality	Finish	Ø	art.	H
AISI304	satin	33,7x2,0	A/0307-233	25
			A/0307-242-S	
	polish	42,4x2,0	A/0307-242-L	30
AISI316	satin	48,3x2,0	A14/0307-242-S	35
			A14/0307-248	



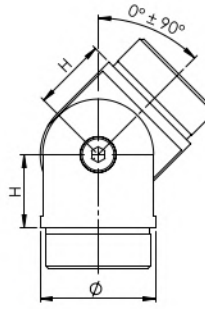
Quality	Finish	Ø	art.	H
AISI304	satin	33,7x2,0	A/0308-233	24
		42,4x2,0	A/0308-242	30



Quality	Finish	Ø	art.	H
AISI304	satin	33,7x2,0	A/0304-233	25
			A/0304-242	
AISI316	satin	42,4x2,0	A/0304-242-L	28
			A 14/0304-242	
		48,3x2,0	A 14/0304-248	35

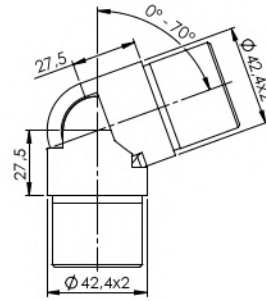


Quality	Finish	Ø	art.	H
AISI304	satin	33,7x2,0	A/0309-233	24
			A/0309-242	
		42,4x2,0	A/0309-242	30

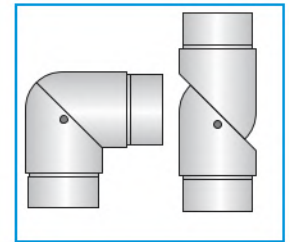
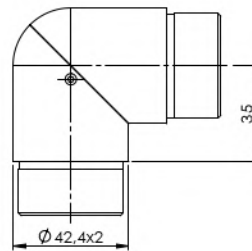


Quality	Finish	Ø	art.	H
AISI304	satin	33,7x2,0	A/0302-233	22
		42,4x2,0	A/0302-242	27
		48,3x2,0	A/0302-248	29
AISI316	polish		A/0302-242-L	27
		42,4x2,0	A14/0302-242	27
			A14/0302-242-L	27

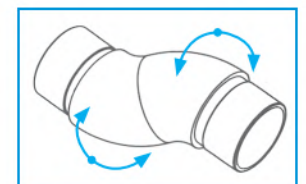
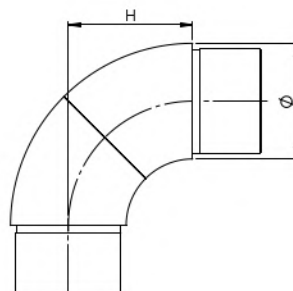
top



Quality	Finish	art.
AISI304	satin	A/0312-242-B
	polish	A/0312-242-L
AISI316	satin	A14/0312-242

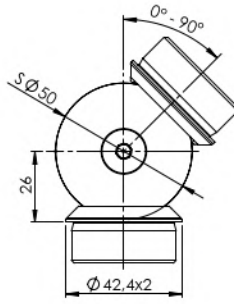


Quality	Finish	art.
AISI304	satin	A/0313-242

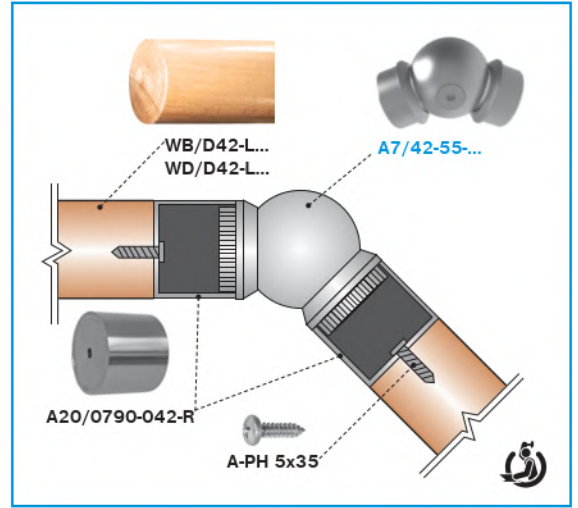


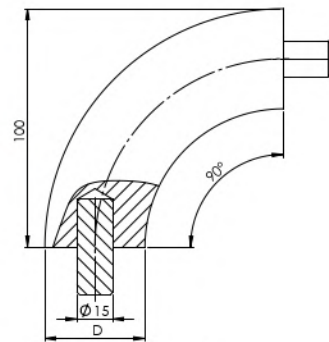
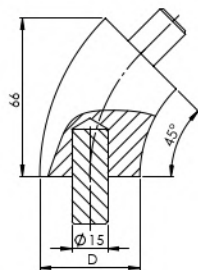
Quality	Finish	Ø	art.	H
AISI304	satin	33,7x2,0	A/0302-033	38
		42,4x2,0	A/0302-042	46

SYSTEM FLEX



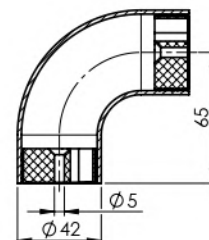
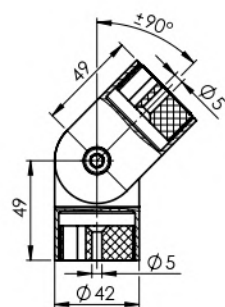
Quality	Finish	art.
AISI304	satın	A7/42-55-B





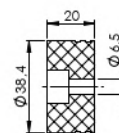
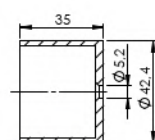
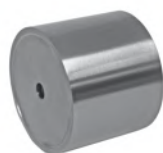
Quality	Finish	D	art.
Beech	natural	42	WB/D42-45°

Quality	Finish	D	art.
Beech	natural	42	WB/D42-90°
Oak	natural		WD/D42-90°



Quality	Finish	art.
AISI304	satin	A20/0302-042

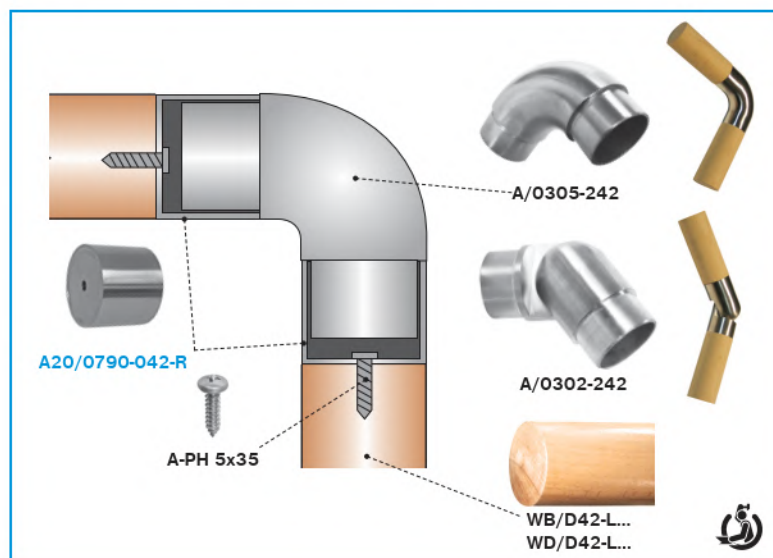
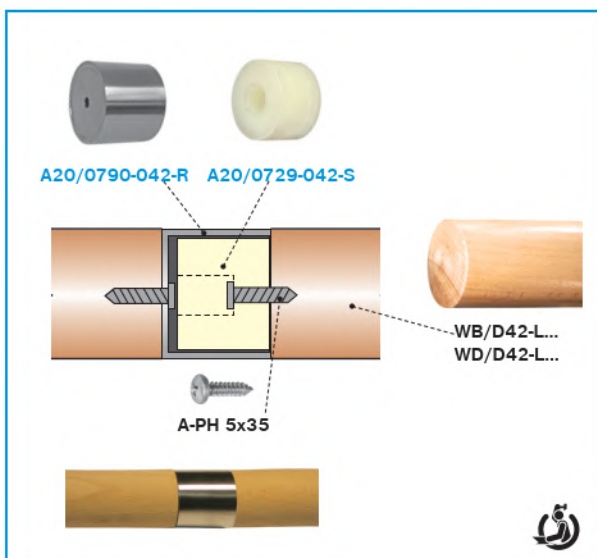
Quality	Finish	art.
AISI304	satin	A20/0305-042

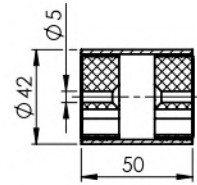
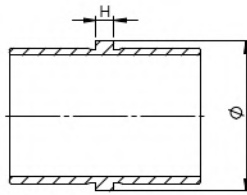


Quality	Finish	art.
AISI304	satin	A20/0790-042-R



Quality	art.
PVC	A20/0729-042-S

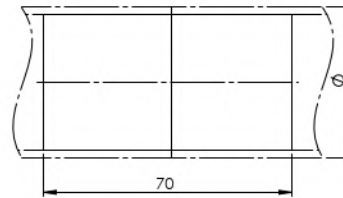




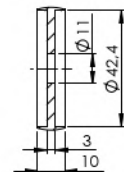
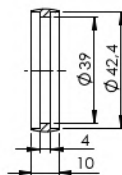
Quality	Finish	Ø	art.	H
AISI304	satin	33,7x2,0	A/0790-233	5
		42,4x2,0	A/0790-242	4
		48,3x2,0	A/0790-248	6
AISI316	satin	42,4x2,6	A/0790-242-L	5
		48,3x2,0	A14/0790-242	4
		48,3x2,0	A14/0790-249	5
	polish	42,4x2,0	A14/0790-242-L	4

top

Quality	Finish	art.
AISI304	satin	A20/0790-042

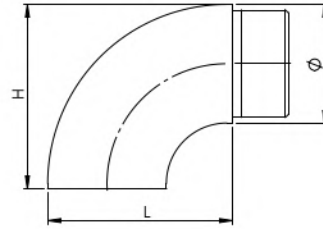


Quality	Finish	Ø	art.
AISI304	satin	33,7x2	A/0791-033
		42,4x2	A/0791-042



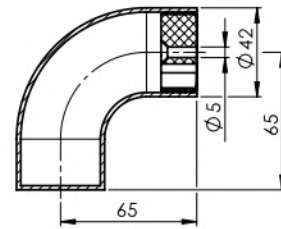
Quality	Finish	art.
AISI304	satin	A7/42-11-A

Quality	Finish	art.
AISI304	satin	A7/42-11

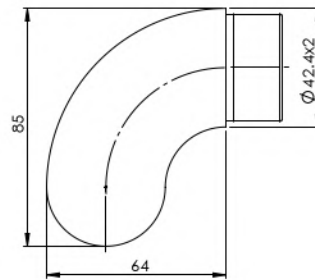


Quality	Finish	∅	art.	L	H
AISI304	satin	33,7x2,0	A/0739-233	55	57
	polish	42,4 x2,0	A/0739-242-S	66	66
			A/0739-242-L		
AISI316	satin	33,7x2,0	A14/0739-233	55	57
		42,4 x2,0	A14/0739-242	66	66
		48,3 x2,6	A14/0739-249	75	77

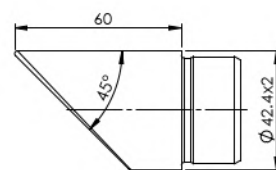
top



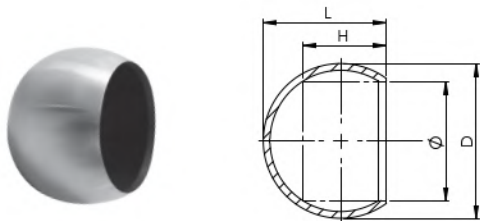
Quality	Finish	art.
AISI304	satin	A20/0739-042



Quality	Finish	art.
AISI304	satin	A/0739-242-R



Quality	Finish	art.
AISI304	satin	A/0737-242



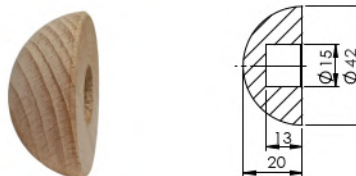
Quality	Finish	∅	art.	D	L	H
AISI304	satin	33,7	A9/33	47	38	27
		42,4	A9/42	55	44	30
		48,3	A9/48	65	52	38
AISI316		42,4	A14/9-42	55	44	30



Quality	Finish	art.
AISI304	satin	A20/0729-042



Quality	Finish	∅	art.	L
AISI 304	satin	42	WA/D42-G2	21
		50	WA/D50-G2	25



Quality	Finish	art.
Beech	natural	WB/D42-G2
Oak		WD/D42-G2

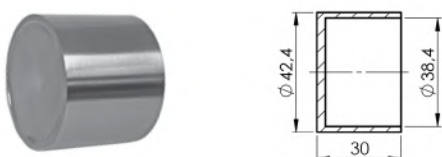


4

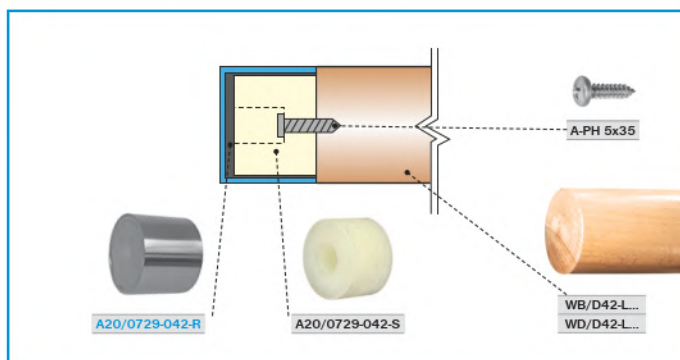
HANDRAILS

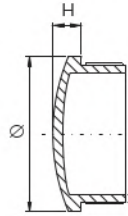


Quality	Finish	art.
Beech	natural	WOOD/D15x40



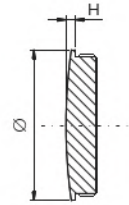
Quality	Finish	art.
AISI304	satin	A20/0729-042-R



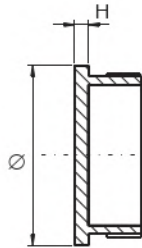


Quality	Finish	Ø	art.	H
AISI304	satin	33,7x2,0	A/5729-233-B	5
		42,4x2,0	A/5729-242	7
		48,3x2,0	A/5729-248	6
AISI316	polish	42,4x2,0	A/5729-242-L	7
		42,4x2,0	A14/5729-242	7
			A14/5729-242-L	

top

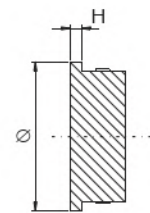


Quality	Finish	Ø	art.	H
AISI304	satin	33,7x2,0	A/5728-233	6
			A/5728-242	6
			A/5728-242-A	9
		42,4x2,0	A/5728-242-B	4
			A/5728-242-C	2
			A/5728-243	6

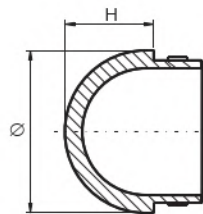


Quality	Finish	Ø	art.	H
AISI304	satin	33,7x2,0	A/5732-233	3
		42,4x2,0	A/5732-242	3
		48,3x2,0	A/5732-248	2
			A/5732-248-B	4,5
AISI316	polish	42,4x2,0	A/5732-242-L	3
		42,4x2,0	A14/5732-242	3
		42,4x2,0	A14/5732-242-L	3

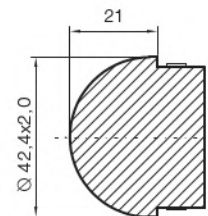
top



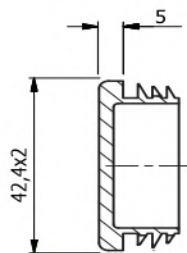
Quality	Finish	Ø	art.	H
AISI304	satin	33,7x2,0	A/5731-233	1,4
AISI316		42,4x2,0	A/5731-242	3
		42,4x2,0	A/5731-242-A	5
			A14/5731-242	3



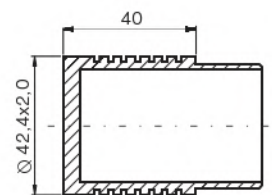
Quality	Finish	Ø	art.	H
AISI304	satin	33,7x2,0	A/5730-233	17
		42,4x2,0	A/5730-242	21
		48,3x2,0	A/5730-248	23
			A/5730-249	23
AISI316	satin	42,4x2,0	A/5730-242-L	21
		42,4x2,0	A14/5730-242	21



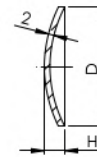
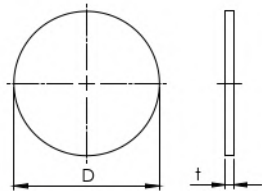
Quality	Finish	Ø	art.
AISI304	satin	42,4x2,0	A/5733-242



Quality	Finish	D	art.
PVC	gray	42,4 x2,0	A9/42-PVC

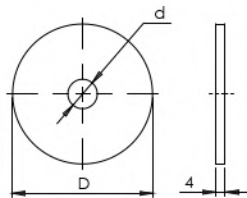


Quality	Finish	Ø	art.
AISI316	satin	42,4x2,0	A14/0736-242



Quality	Finish	D	art.	t
AISI304	satin	33	A/1732-033	4
		40	A/1732-040	
		42	A/1732-042	
		48	A/1732-048	
		50	A/1732-050	
		60	A/1732-060	
		80	A/1732-080	
	100	A/1732-100		
	polish	42	A/1732-042-L	4
		48	A/1732-048-L	
42		A/1732-042-N		
raw	42	A/1732-042-N	6	
	120	A/1732-120x6		

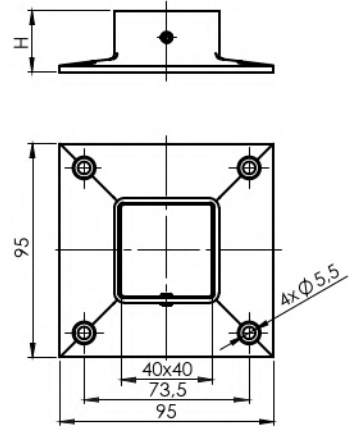
Quality	Finish	D	art.	H
AISI304	satin	33	A/1733-033	6
		48	A/1733-048	8



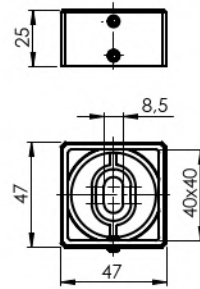
Quality	Finish	D	art.	d
AISI304	satin	33	A/1732-033-12	12,5
		40	A/1732-040-12	12,5
		50	A/1732-050-10	10,5

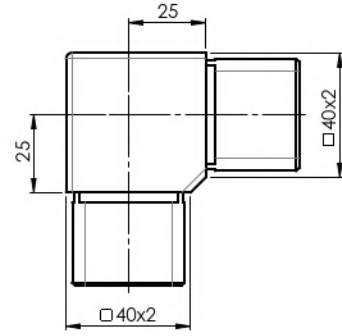


Quality	Finish	art.	H
AISI304	satin	A/4505-040	28
AISI316		A14/4505-040-B	23



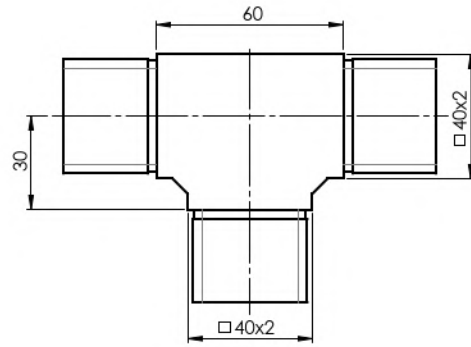
Quality	Finish	art.
AISI304	satin	A/4504-040



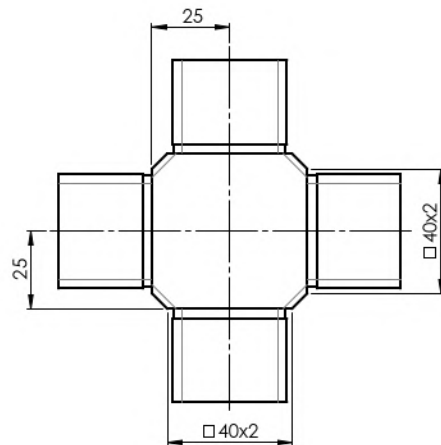


Quality	Finish	art.
AISI304	satin	A/4301-040
AISI316		A14/4301-040

top



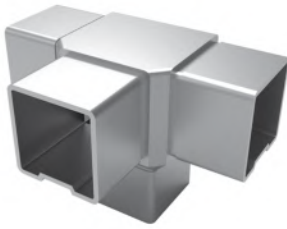
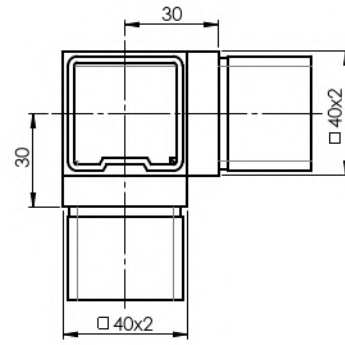
Quality	Finish	art.
AISI304	satin	A/4307-040
AISI316		A14/4307-040



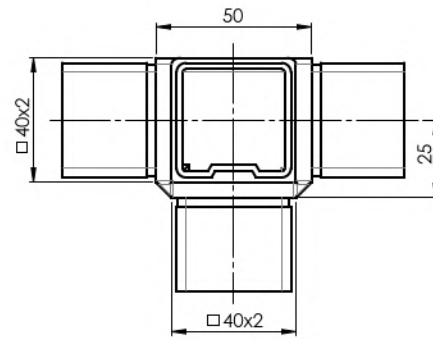
Quality	Finish	art.
AISI316	satin	A14/4308-040



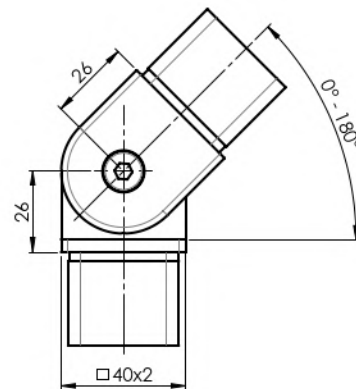
Quality	Finish	art.
AISI304	satin	A/4304-040
AISI316		A14/4304-040

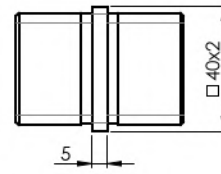


Quality	Finish	art.
AISI316	satin	A14/4309-040

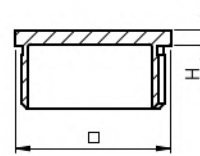


Quality	Finish	art.
AISI304	satin	A/4302-040
AISI316		A14/4302-040



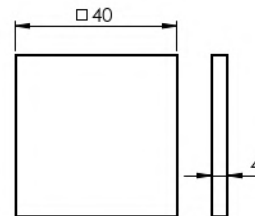


Quality	Finish	art.
AISI304	satin	A/4790-040
AISI316		A14/4790-040

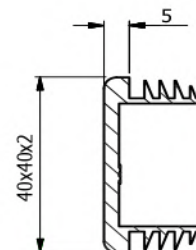


Quality	Finish	art.	□	H
AISI304	satin	A/4732-030	30x30x2	5
		A/4732-040	40x40x2	
		A/4732-041	40x40x3	
		A/4732-050	50x50x2	
AISI304		A/4732-060	60x60x2	5
AISI316		A14/4732-040	40x40x2	4

top



Quality	Finish	art.
AISI304	satin	A/1734-040
	raw	A/1734-040-N



Quality	Finish	□	art.
PVC	gray	40x40x2	A9/40x40-PVC

5

HANDRAIL
HOLDERS





**HANDRAIL
HOLDERS**

ROUND



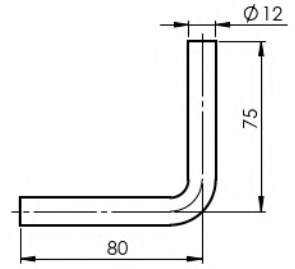
**HANDRAIL
HOLDERS**

SQUARE

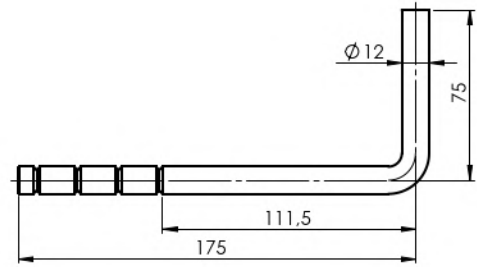


HANDRAIL SETS

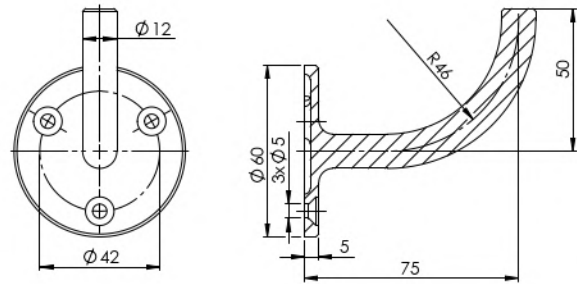




Quality	Finish	art.
AISI304	satın	A/0132-000

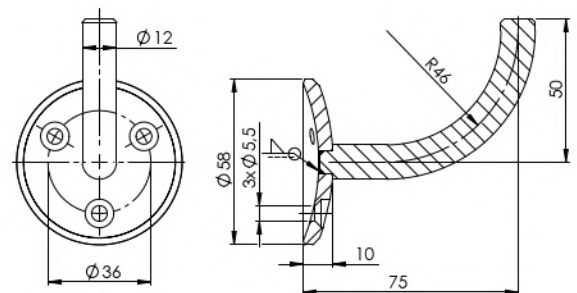


Quality	Finish	art.
AISI304	satın	A/0120-000-Z



Quality	Finish	art.
AISI304	satın	A/0113-000-R
AISI316		A14/0113-000

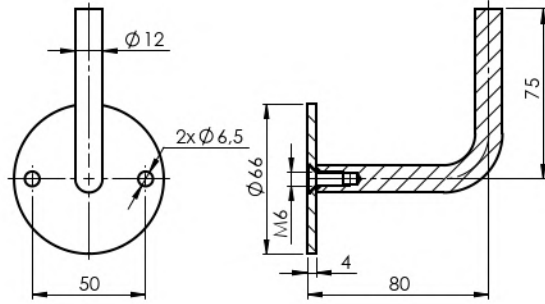
top



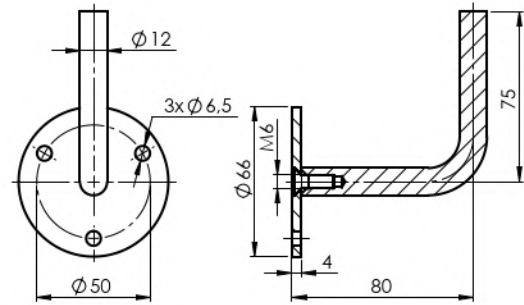
Quality	Finish	art.
AISI304	satın	A/0113-000



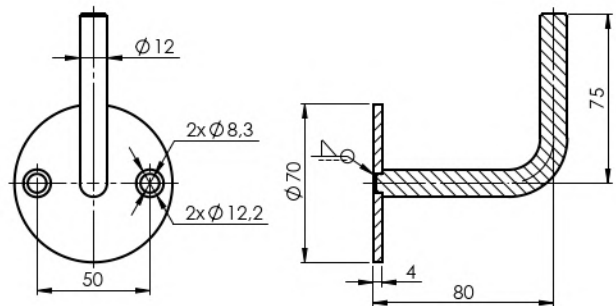
Quality	Finish	art.
AISI304	satın	A/0114-266-Z



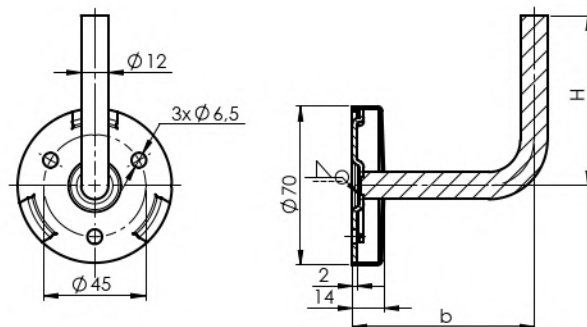
Quality	Finish	art.
AISI304	satın	A/0114-366-Z



Quality	Finish	art.
AISI304	satın	A/0118-270
		A/0118-270-B

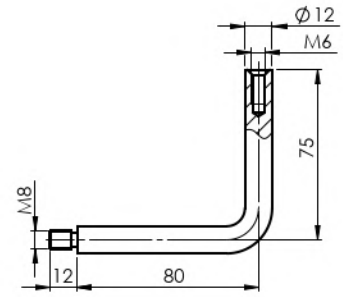


Quality	Finish	art.	b x H
AISI304	satın	A/0110-370-Z	80x75
		A/0110-000-Z	73x71

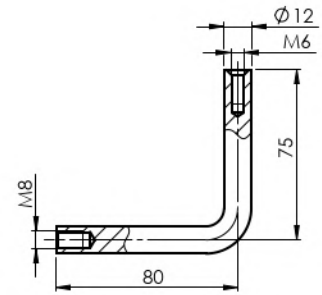




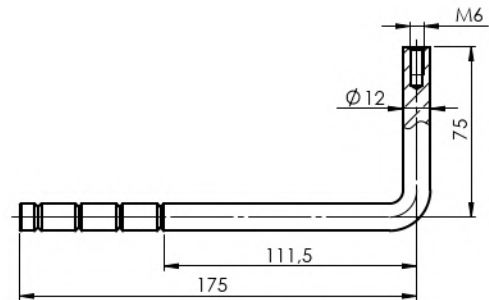
Quality	Finish	art.
AISI304	satın	A/O130-M6



Quality	Finish	art.
AISI304	satın	A/O131-M6

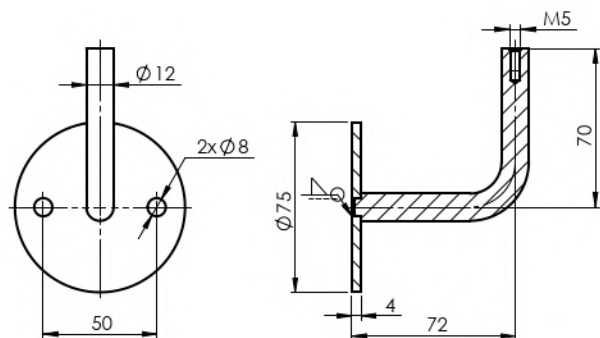


Quality	Finish	art.
AISI304	satın	A/O120-000-M6

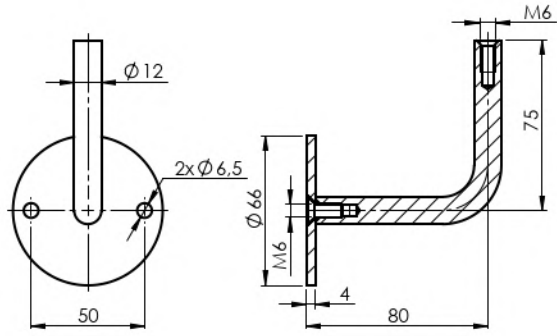


Quality	Finish	art.
AISI304	satın	A/O114-000

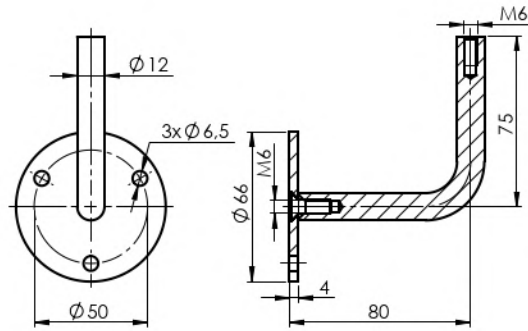
top



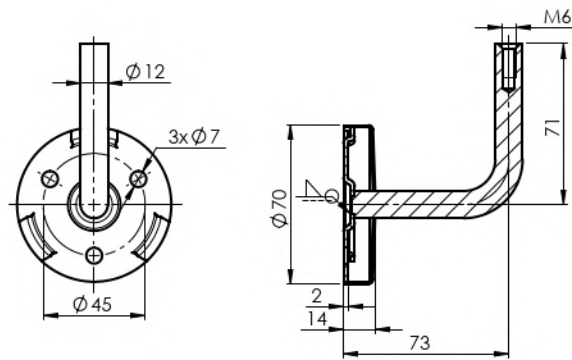
SYSTEM SCREW



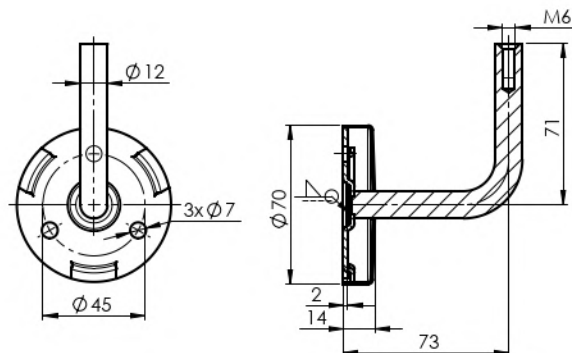
Quality	Finish	art.
AISI304	satın	A/0114-266-M6



Quality	Finish	art.
AISI304	satın	A/0114-366-M6



Quality	Finish	art.
AISI304	satın	A/0110-000

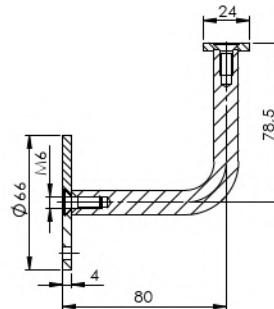
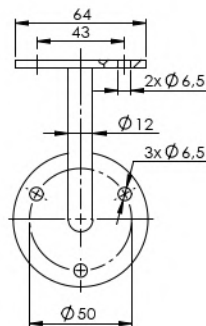


Quality	Finish	art.
AISI304	satın	A/0110-000-B

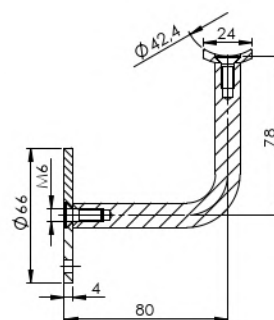
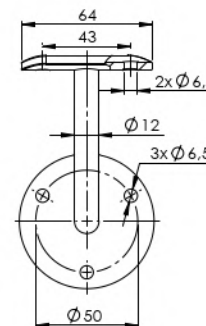
SYSTEM SCREW



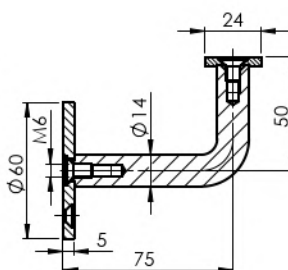
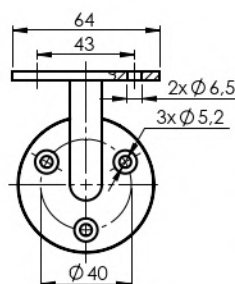
Quality	Finish	art.
AISI304	satın	A/0115-000



Quality	Finish	art.
AISI304	satın	A/0115-042

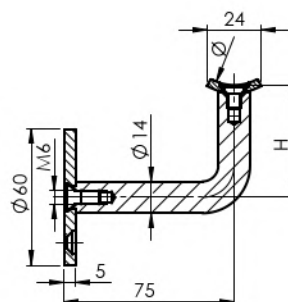
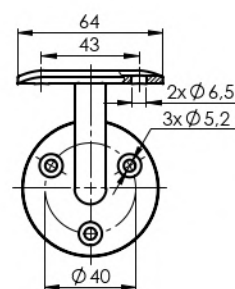


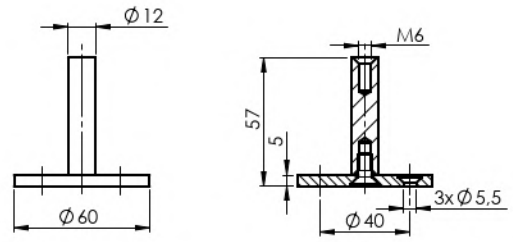
Quality	Finish	art.
AISI304	satın	A/0112-000
AISI316	satın	A14/0112-000



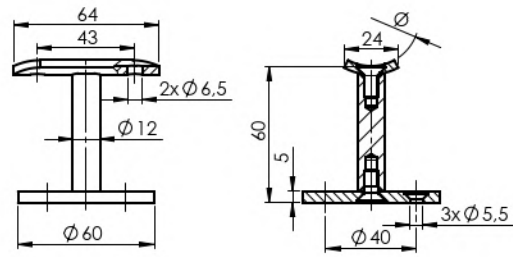
Quality	Finish	art.	H
AISI304	satın	33,7 A/0112-033	50
		42,4 A/0112-042	
		48,3 A/0112-048	
AISI304	polish	A/0112-042-B-L	52
		A/0112-042-L	
AISI316	satın	42,4 A14/0112-042	50
		48,3 A14/0112-048	
		42,4 A14/0112-042-L	

top

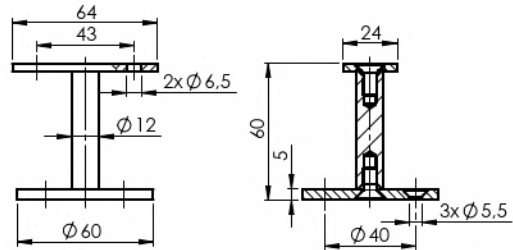




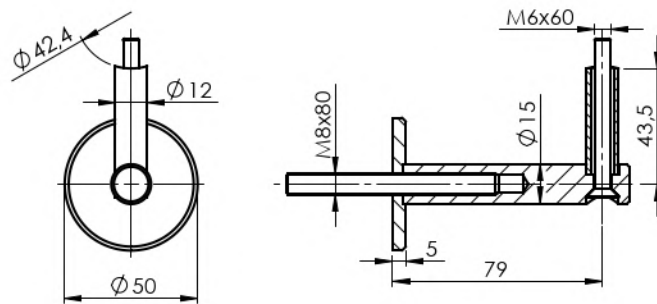
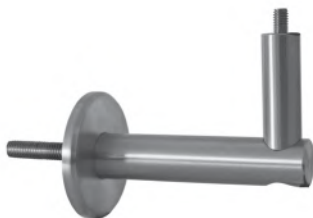
Quality	Finish	art.
AISI316	satın	A14/0708-base



Quality	Finish	\varnothing	art.
AISI304	satın	42,4	A/0708-042-B
		48,3	A/0708-048
AISI316		42,4	A14/0708-042



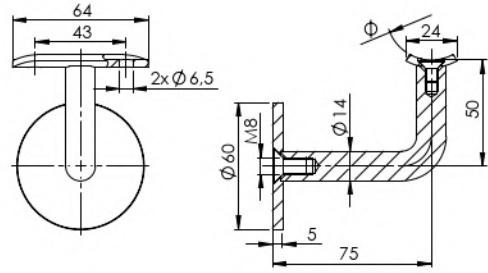
Quality	Finish	art.
AISI304	satın	A/0708-000



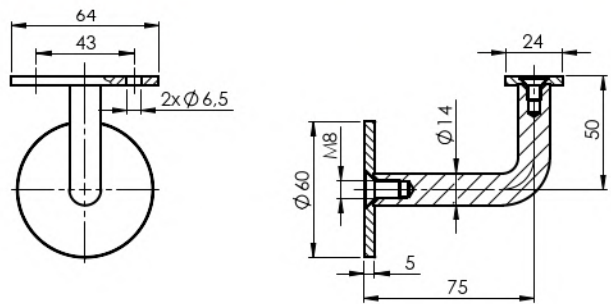
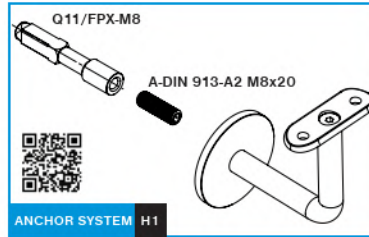
Quality	Finish	art.
AISI304	satın	A/0134-042



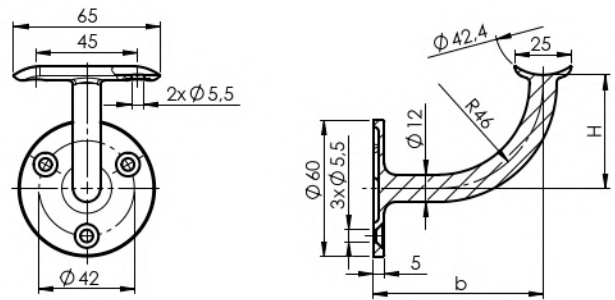
SYSTEM SCREW



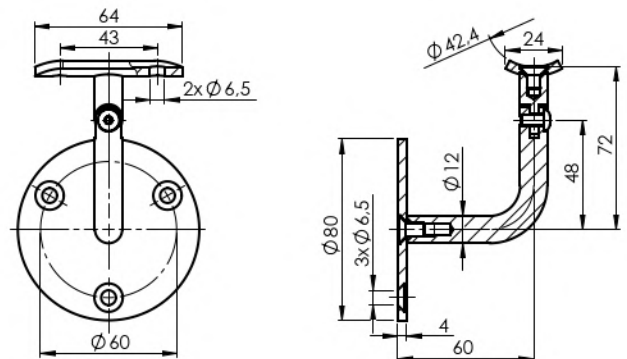
Quality	Finish	Ø	art.	anchor system
AISI304	satin	33,7	A/0111-033	H1,H2
		42,4	A/0111-042	
		48,3	A/0111-048	
AISI316	satin	42,4	A/0111-042-L	
		42,4	A14/0111-042	



Quality	Finish	art.	anchor system
AISI304	satin	A/0111-000	H1,H2 <i>top</i>

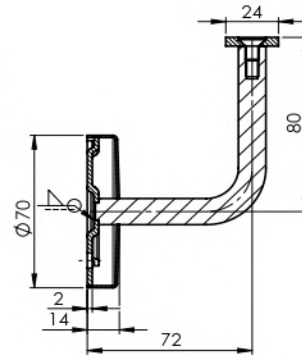
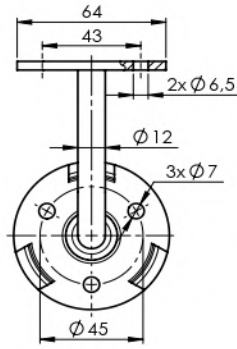


Quality	Finish	art.	b x H
AISI304	satin	A/0112-042-A	75x50
		A/0112-042-B	72x50
AISI316	polish	A14/0112-042-A	75x50
		A14/0112-042-A-L	

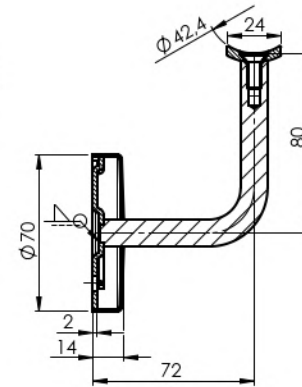
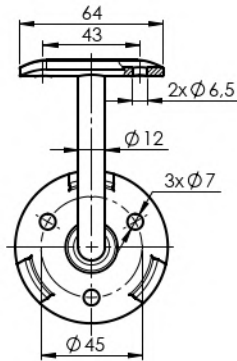


Quality	Finish	art.
AISI304	satin	A/0116-042

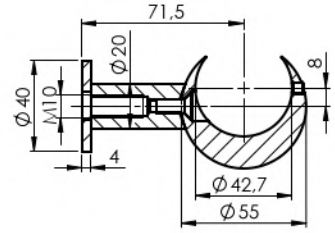
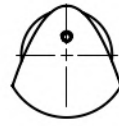
SYSTEM SCREW



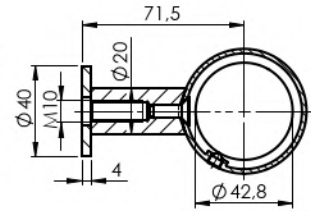
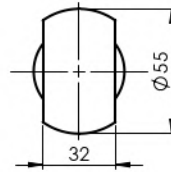
Quality	Finish	art.
AISI304	satın	A/0117-000-B



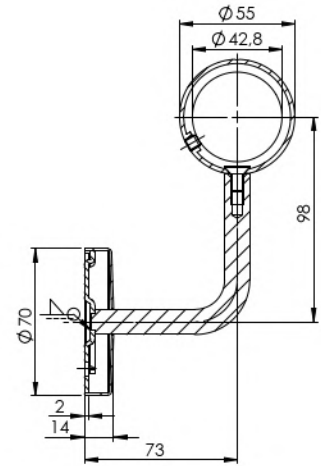
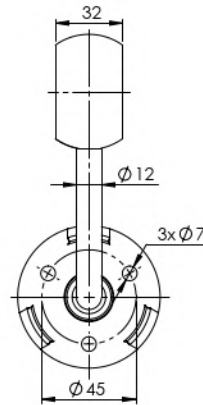
Quality	Finish	art.
AISI304		A/0117-042-B
AISI316	satın	A14/0117-042-B



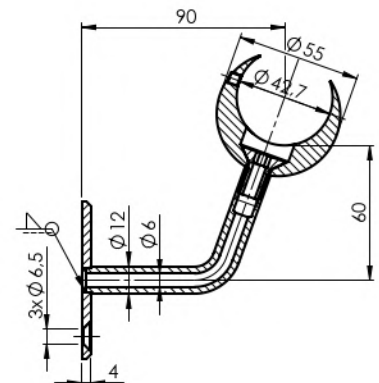
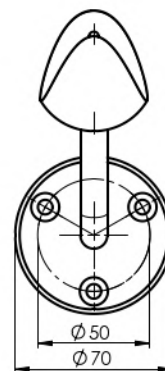
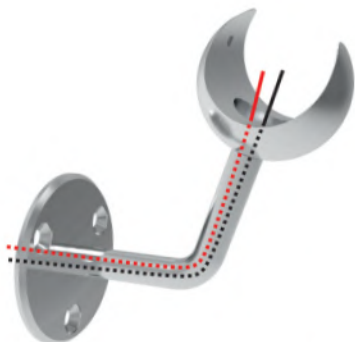
Quality	Finish	art.	anchor system
AISI304	satın	A/0708-42-55-C	H1,H2



Quality	Finish	art.	anchor system
AISI304	satın	A/0708-42-55-35	H1,H2

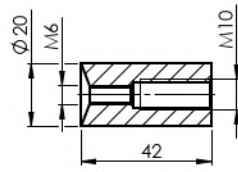


Quality	Finish	art.
AISI304	satın	A/0110-42-55-35

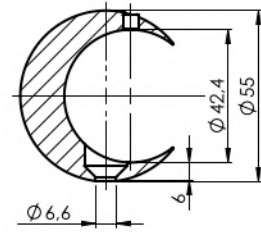


Quality	Finish	art.
AISI316	satın	A14/4114-042-LED

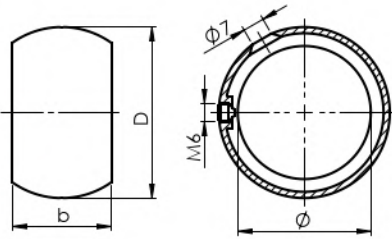
SYSTEM SCREW



Quality	Finish	art.
AISI304	satin	A/014

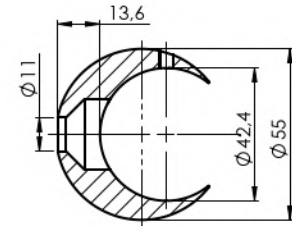


Quality	Finish	art.
AISI316	satin	A14/42-55-C

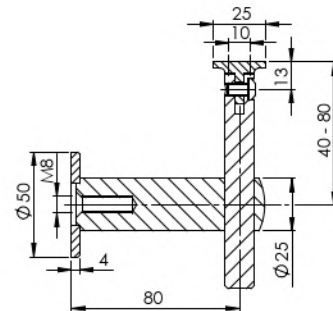
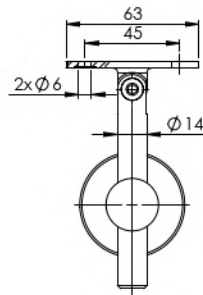


Quality	Finish	∅	art.	D	b
AISI304	satin	33,7	A6/33-55-35-B	44,5	28
		42,4	A6/42-55-35-B	55	32

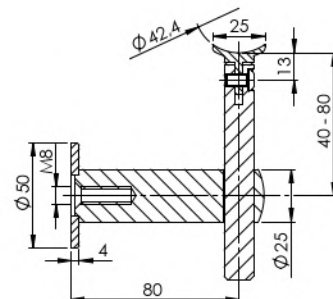
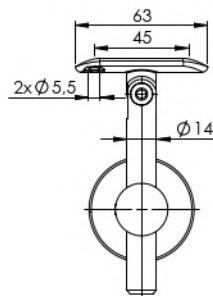
top



Quality	Finish	art.
AISI316	satin	A14/42-55

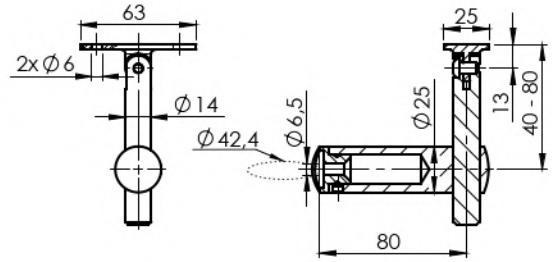


Quality	Finish	art.	anchor system
AISI304	satin	A/0145-000	H1,H2

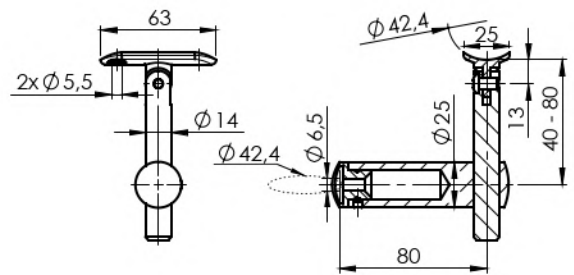


Quality	Finish	art.	anchor system
AISI304	satin	A/0145-042	H1,H2



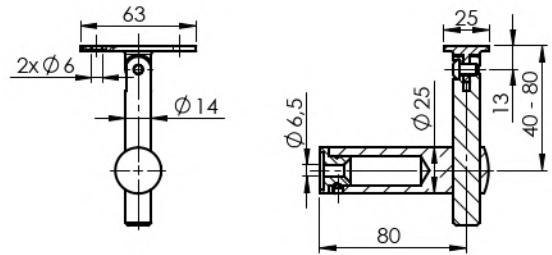


Quality	Finish	art.
AISI304	satin	A/0135-000

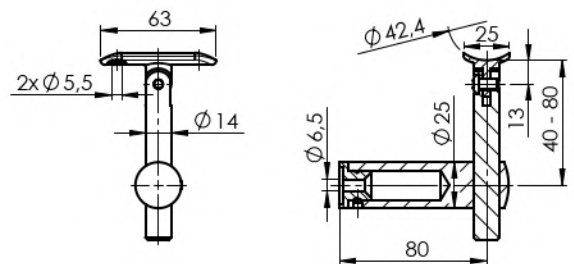


Quality	Finish	art.
AISI304	satin	A/0135-042
AISI316		A14/0135-042

top



Quality	Finish	art.
AISI304	satin	A/0136-000

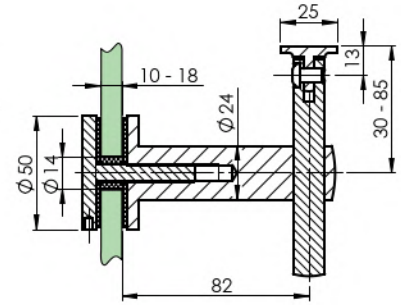
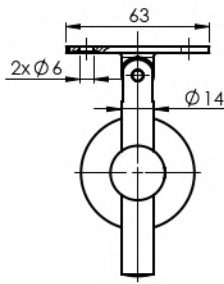


Quality	Finish	art.
AISI304	satin	A/0136-042
	polish	A/0136-042-L



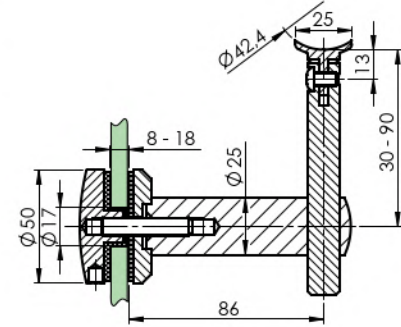
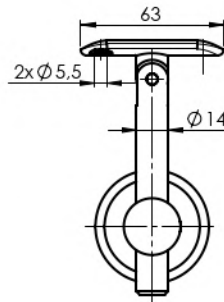


Quality	Finish	art.	Glass hole
AISI304	satin	A/0155-000	20

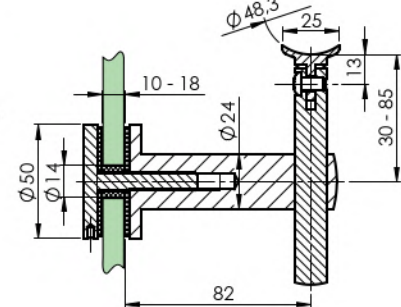
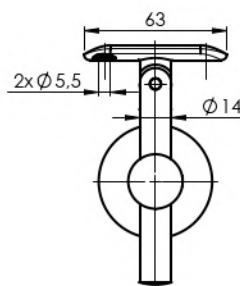


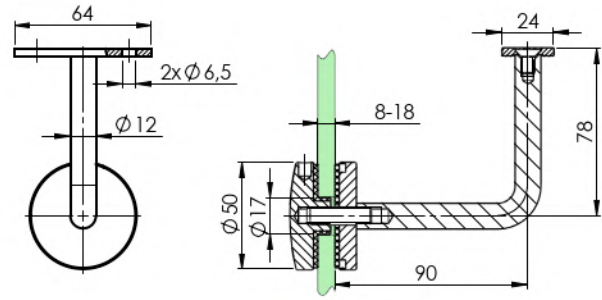
Quality	Finish	art.	Glass hole
AISI304	satin	A/0155-042-B	20
AISI316		A14/0155-042	

top

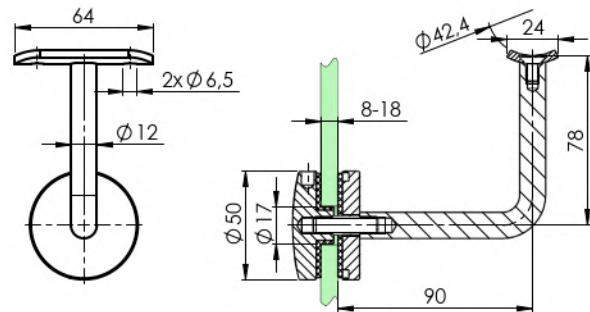


Quality	Finish	art.	Glass hole
AISI316	satin	A14/0155-048	20

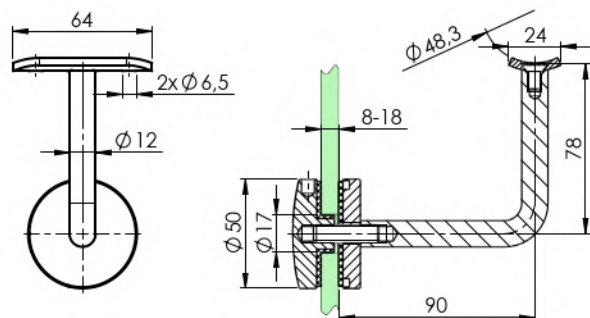




Quality	Finish	art.	Glass hole
AISI304	satın	A/0156-000	20



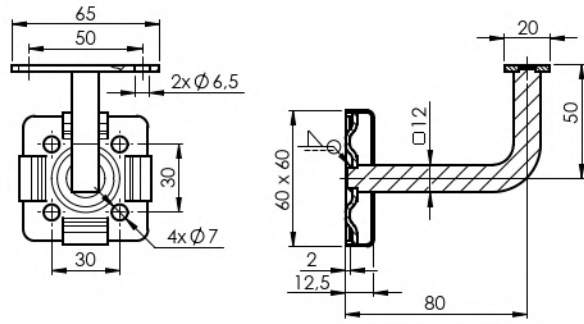
Quality	Finish	art.	Glass hole
AISI304	satın	A/0156-042	20



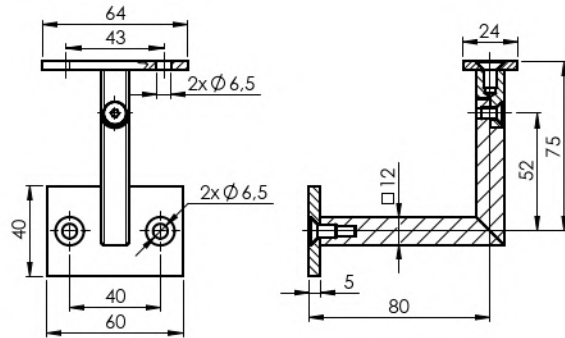
Quality	Finish	art.	Glass hole
AISI304	satın	A/0156-048	20



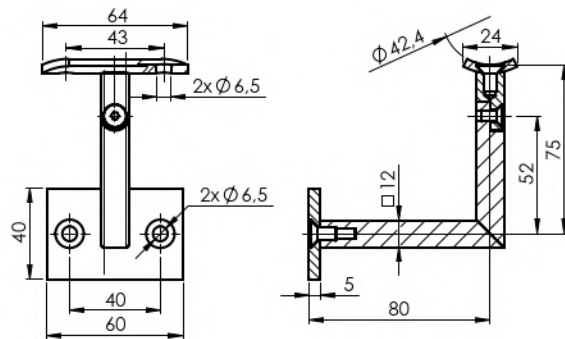
SYSTEM SCREW



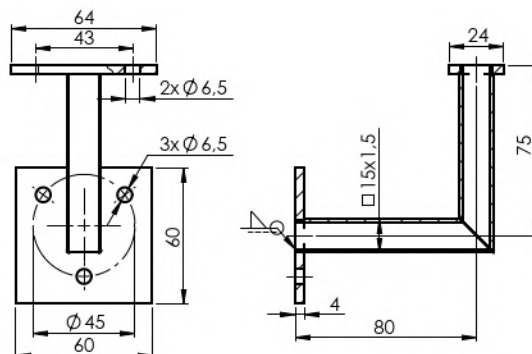
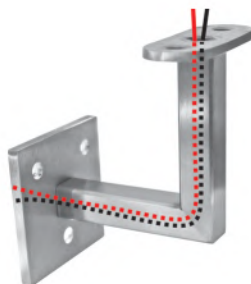
Quality	Finish	art.
AISI304	satın	A/4110-000



Quality	Finish	art.
AISI304	satın	A/4145-000-B



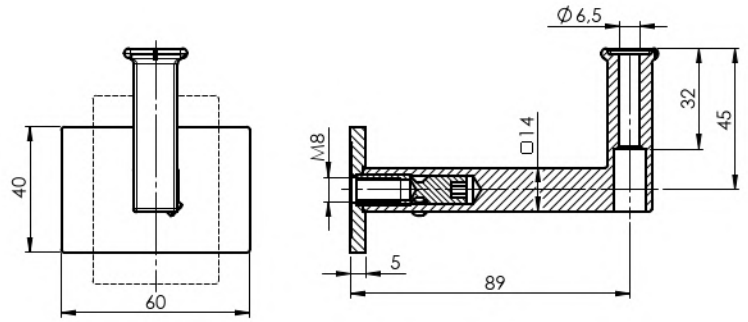
Quality	Finish	art.
AISI304	satın	A/4145-042



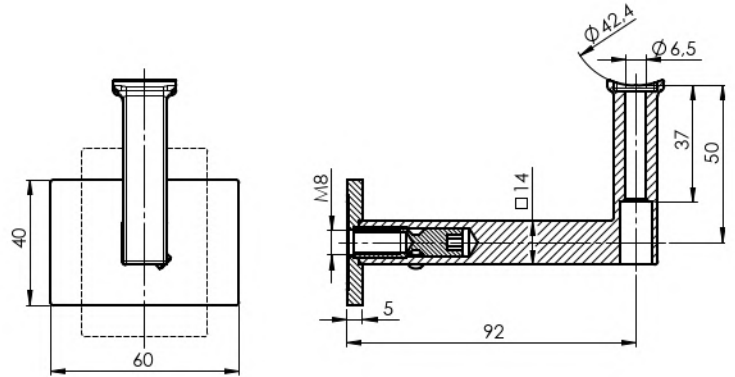
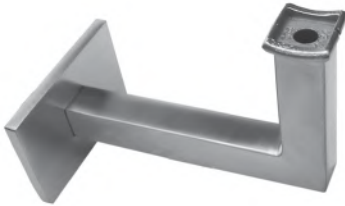
Quality	Finish	art.
AISI304	satın	A/4111-000-LED



SYSTEM SCREW



Quality	Finish	art.	anchor system
AISI304	satın	A/4111-000	H1,H2



Quality	Finish	art.	anchor system
AISI304	satın	A/4111-042	H1,H2



MODEL Modular

5 HANDRAIL HOLDERS

	Quality	Finish	Ø	art.		A /	A /	A /	A6 /	A-DIN
	AISI304	satın	42,4x2	A/M-1000-M	1x 1000mm	2x	2x	2x	2x	7991-A2 M6x14

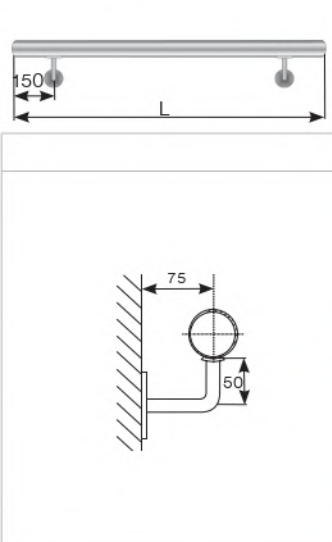
	Quality	Finish	Ø	art.		A /	A /	A /	A6 /	A-DIN
	AISI304	satın	42,4x2	A/M-1000-M1	1x 1000mm	1x	1x	1x	1x	7991-A2 M6x14

not assembled

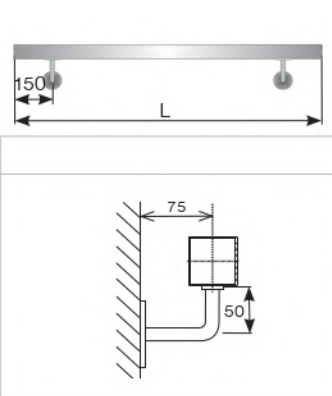
A/M-1000-M

A/M-1000-M1

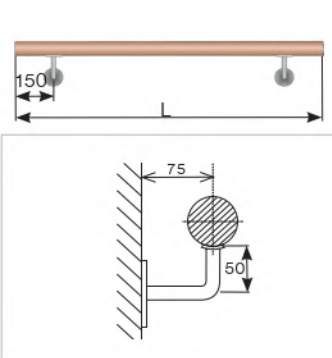
2m = 1x A/M-1000-M + 1x A/M-1000-M1
 3m = 1x A/M-1000-M + 2x A/M-1000-M1
 ...



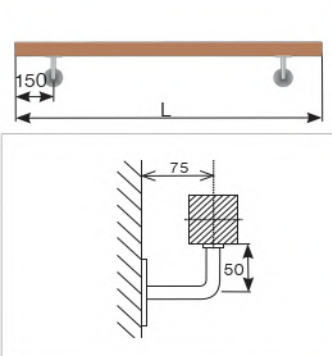
Quality	Finish	∅	art.	L	A/0111-042	A/5729-242	A-DIN 7380-A2 M5x12
AISI304	satin	42,4x2	A/M-1000	1000			
	polish		A/M-1500	1500	2x		4x
	satin		A/M-2000	2000			
	polish		A/M-2000-L				
	satin		A/M-3000	3000	3x	2x	6x
	polish		A/M-3000-L				
	satin		A/M-4000	4000	4x		8x
	satin		A/M-5000	5000			
	polish		A/M-6000	6000	5x		10x
	polish		A/M-6000-L				



Quality	Finish	D x h x t	art.	L	A/0111-000	A/4732-040	A-DIN 7380-A2 M5x12
AISI304	satin	40x40x2	AJP/M-1000	1000			
			AJP/M-1500	1500	2x		4x
			AJP/M-2000	2000			
			AJP/M-3000	3000	3x	2x	6x
			AJP/M-4000	4000	4x		8x
			AJP/M-5000	5000	5x		10x
			AJP/M-6000	6000			



Quality	Finish	∅	art.	L	A/0111-042	A-PH 5x20
Beech	natural	42	WB/M-2000	2000	2x	4x
			WB/M-3000	3000	4x	8x
			WB/M-4000-CINK	4000	5x	10x
Oak	natural	42	WD/M-2000	2000	2x	4x
			WD/M-3000	3000	4x	8x
			WD/M-4000-CINK	4000	5x	10x

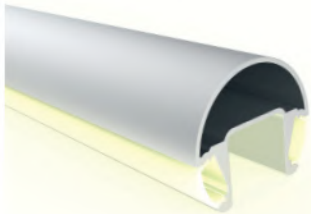


Quality	Finish	D x h x t	art.	L	A/0111-000	A-PH 5x20
Beech	natural	40x40	WBJP/M-2000	2000	2x	4x
			WBJP/M-3000	3000	4x	8x
			WBJP/M-4000-CINK	4000	5x	10x
Oak	natural	40x40	WDJP/M-2000	2000	2x	4x
			WDJP/M-3000	3000	4x	8x
			WDJP/M-4000-CINK	4000	5x	10x

6

LED HANDRAIL
SETS





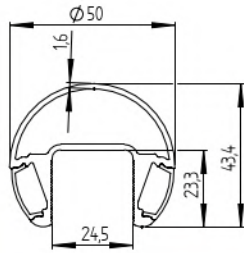
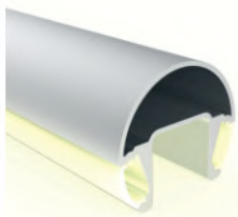
**LED HANDRAILS -
ROUND**



**LED HANDRAIL SETS -
ROUND**



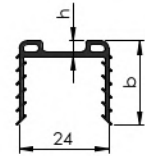
**LED HANDRAIL SETS -
SQUARE**



EPDM - exterior

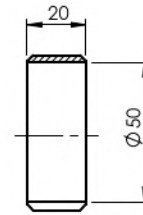
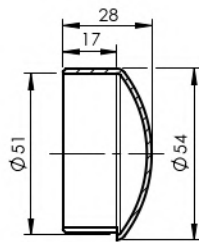


PVC-P - interior



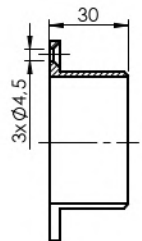
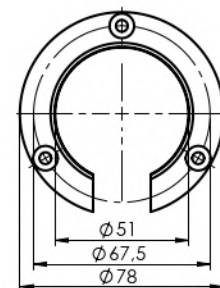
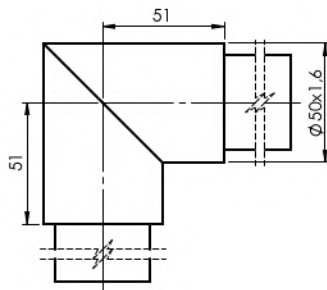
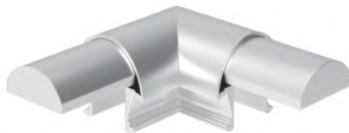
Quality	Finish	Effect	art.	L	
ALUMINIUM	satin	silver	AL/6920-050-LED-S-E	6000	✓
		black	AL/6920-050-LED-S-EB		

Quality	Finish	art.	Glass t	b	h	L
Rubber	black (exterior)	A19/5042-008	8,0-11,0	22	5	2500
		A19/5042-208				5000
		A19/5042-011	11,5-13,5	25	4,5	2500
		A19/5042-211				5000
		A19/5042-016	16,0-17,5	21,5	4,2	2500
		A19/5042-216				5000
		A19/5042-021	20,76-21,52	24	3,5	2500
A19/5042-221	5000					
Rubber interior	gray (interior)	A19/5042-G-016	16,0-17,5	21,5	4,2	2500
		A19/5042-G-216				5000









Quality	Finish	art.
ALUMINIUM	satin	AL/6732-050-LED

Quality	Finish	art.
ALUMINIUM	satin	AL/6790-050-LED



Quality	Finish	art.
ALUMINIUM	satin	AL/6313-050-LED

Quality	Finish	art.
ALUMINIUM	satin	AL/6505-050-LED

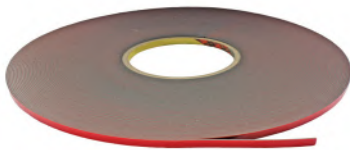
								
Quality	Finish	∅	art.	A/6925-042	LED/24x24-24V	YEM/2x0,75-SET	A14/4114-042-LED	A/6732-042
AISI304	satın	42,4x1,5	A/6920-042-iLED-2500	1x (2500mm)	1x (2500mm)	1x	3x	2x



Quality	Finish	Color	art.	L	a x b	IP	Lumen	Power	Voltage	
PVC + SILICONE	white	5000K	LED/24x24-24V	25m	24 x 24	IP40/IP65*	120lm/m	8W/m	24VDC	✓

* IP65 using silicone end

art.	L(m)
YEM/2x0,75-SET	0,75



art.	t	b	L
Q9/03-0,2x9	0,2	9	50
Q9/03-0,5x9	0,5	9	33

art.	g
A/GLUE-50g-C	50

top

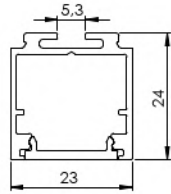
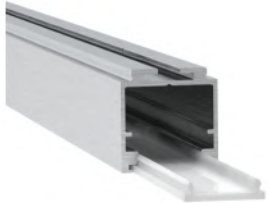


MODEL ROUND

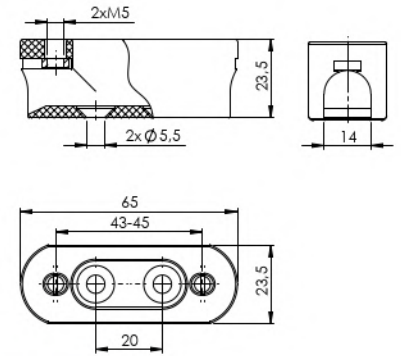
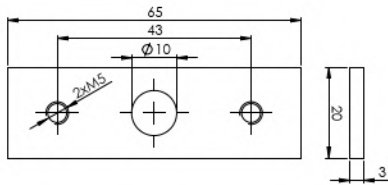
	Quality	Finish	∅	art.	A/6920-042	AL/23x24-5000-LED-SET	A14/PD-LED-23x24	A14/0112-000-LED-B	A/0112-000	A/6732-042
	AISI304	satin	42,4x1,5	A/6920-042-LED-5000-S1	1x (5000mm)	1x (5000mm)	5x	1x	4x	2x

+

art.	A-DIN 7380-A2 M5x12	A-DRILL-M5	A/GLUE-20g
Quantity	20x	1x	1x



Material	Effect	art.	L
ALUMINIUM	raw	AL/23x24-5000-LED-SET	5000

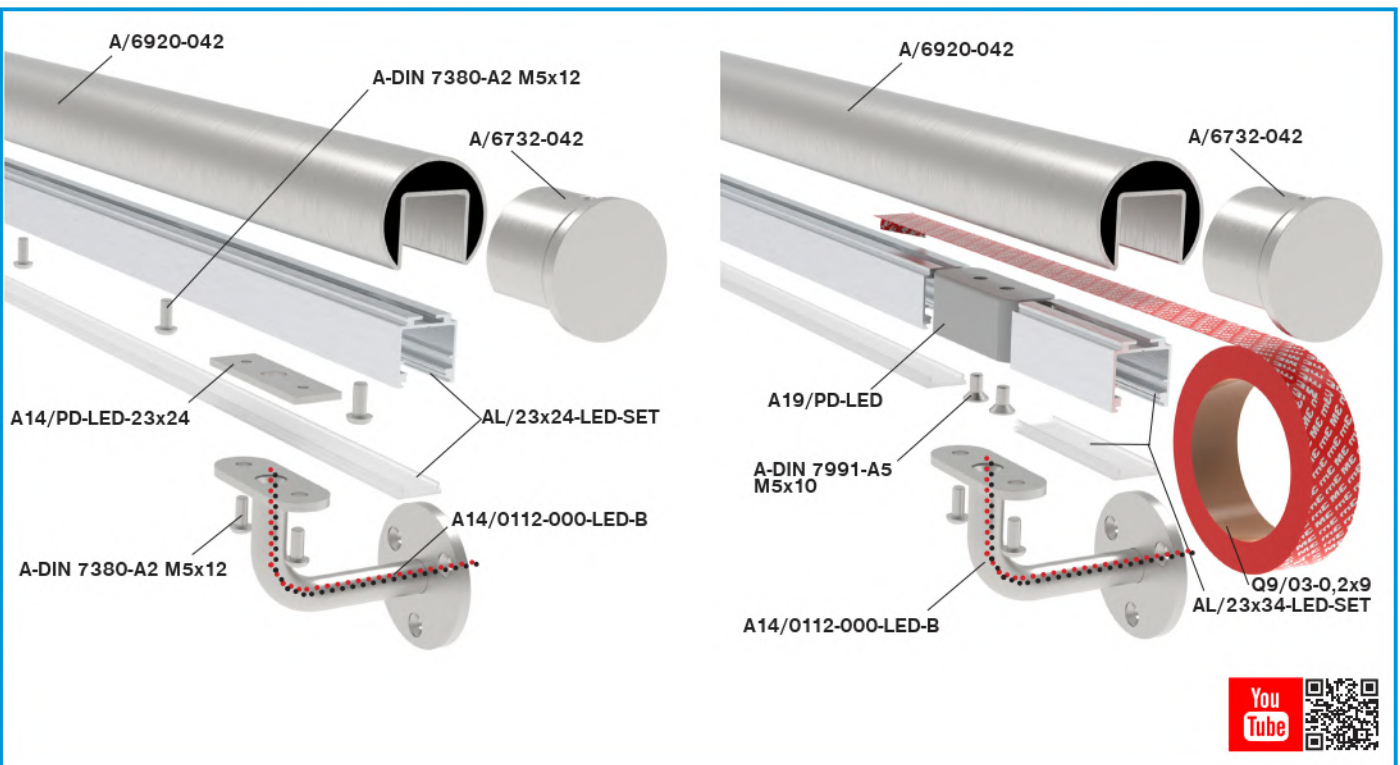


Material	Effect	art.
AISI316	raw	A14/PD-LED-23x24

Quality	Finish	art.
PVC	Black	A19/PD-LED

6

LED HANDRAILS

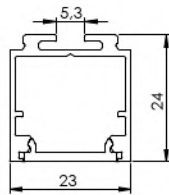
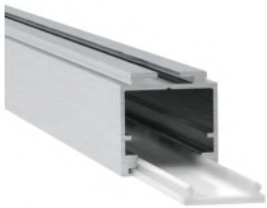


MODEL SQUARE

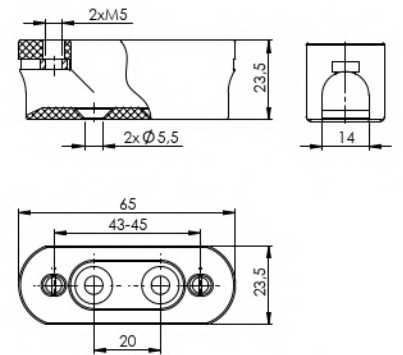
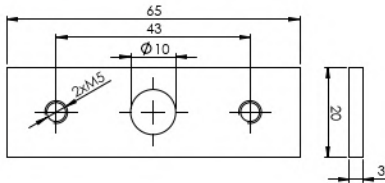
	Quality	Finish	art.	A/6920-040	AL/23x24-5000-LED-SET	A14/PD-LED-23x24	A/4111-000-LED	A/4732-040
	AISI304	satín	40x40	A/6920-040-LED-5000-S1	1x (5000mm)	1x (5000mm)	5x	5x

+

	art.	A-DIN 7380-A2 M5x12	A-DRILL-M5	A/GLUE-20g
Quantity	20x	1x	1x	



Material	Effect	art.	L
ALUMINIUM	raw	AL/23x24-5000-LED-SET	5000

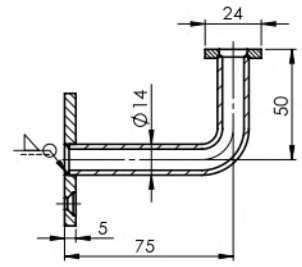
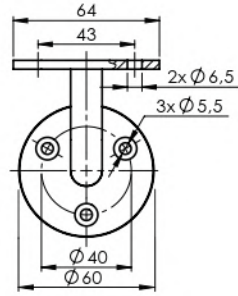


Material	Effect	art.
AISI316	raw	A14/PD-LED-23x24

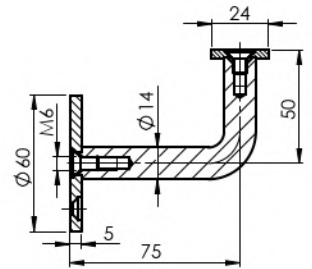
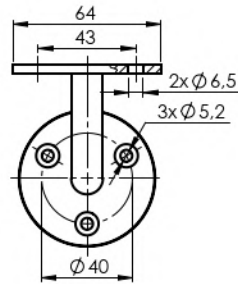
Quality	Finish	art.
PVC	Black	A19/PD-LED



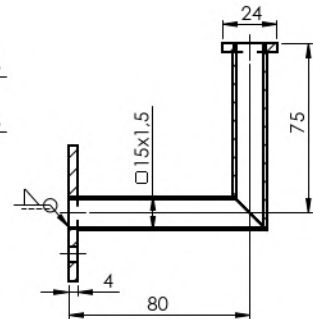
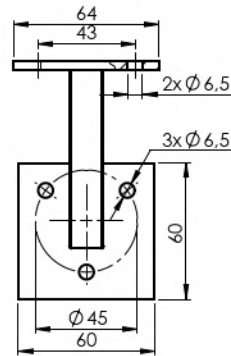
SYSTEM SCREW



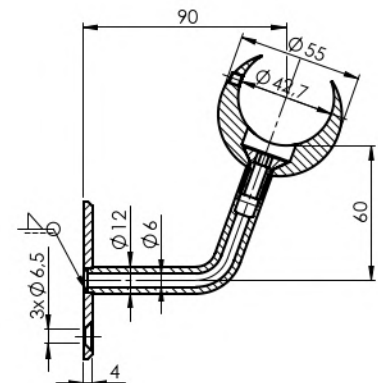
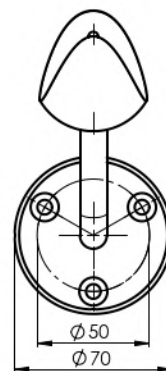
Quality	Finish	art.
AISI316	satın	A14/0112-000-LED-B



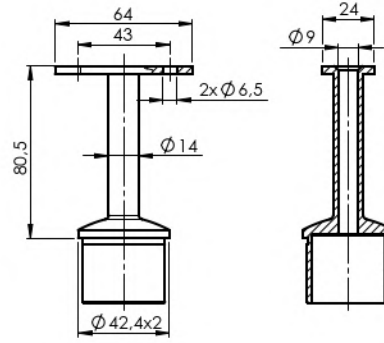
Quality	Finish	art.
AISI304	satın	A/0112-000
AISI316	satın	A14/0112-000



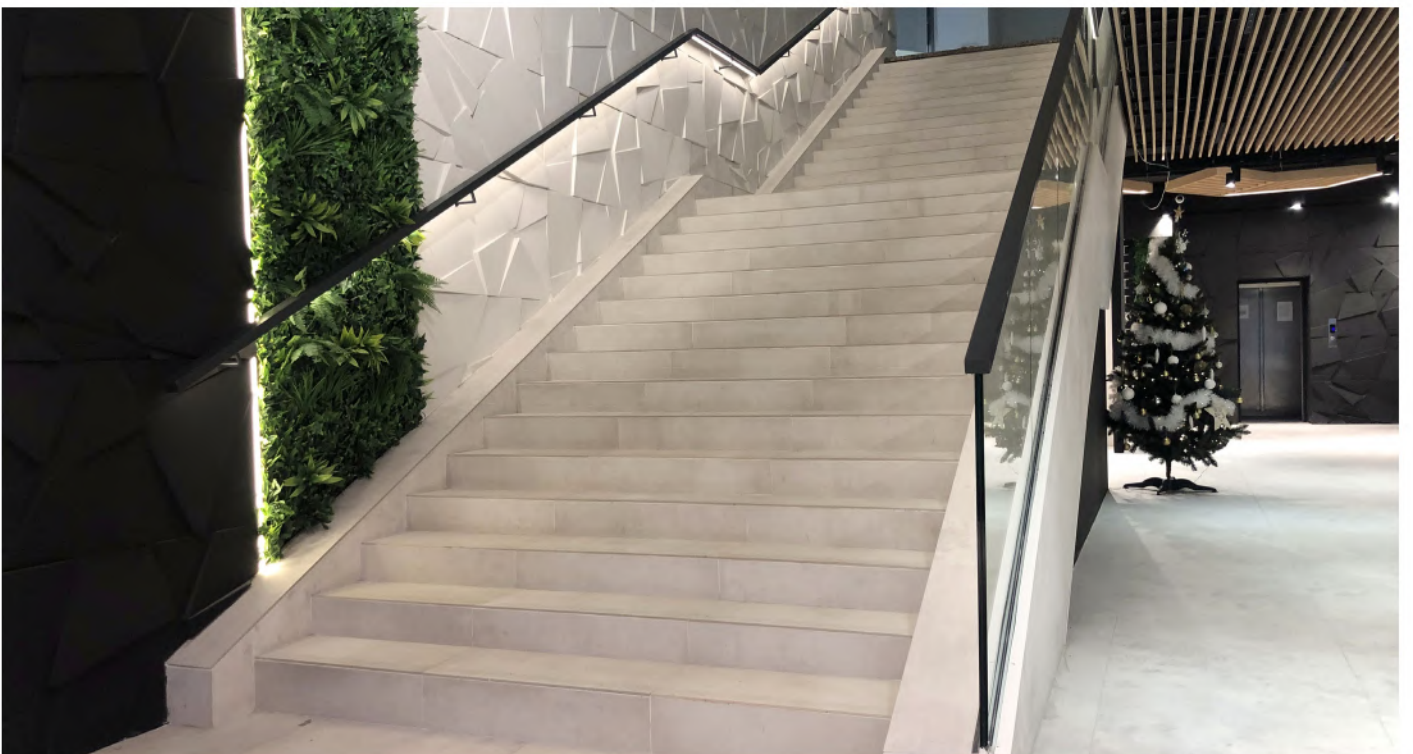
Quality	Finish	art.
AISI304	satın	A/4111-000-LED



Quality	Finish	art.
AISI316	satın	A14/4114-042-LED



Quality	Finish	art.
AISI304	satın	A/0710-242-LED



7

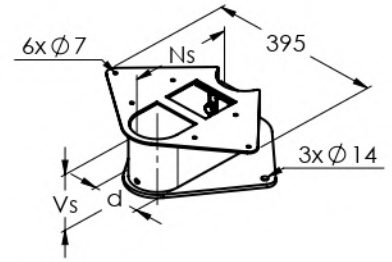
SEGMENT STAIRS



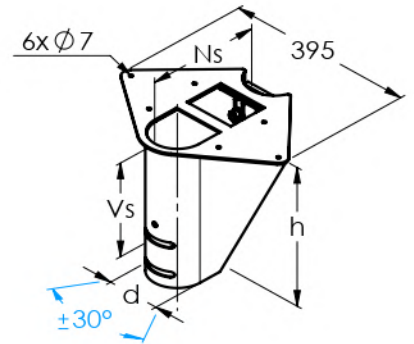
MODEL NS SEGMENTS



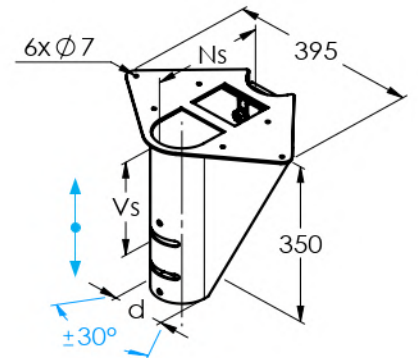
Quality	Finish	art.	V_s	N_s	d
Fe	raw	NS240-N1	140	240	114
CORTEN		NSC240-N1			
Fe		NS270-N1	130	270	138



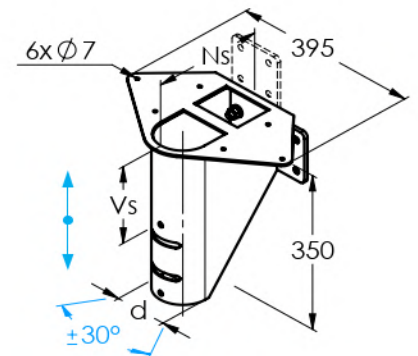
Quality	Finish	art.	V_s	N_s	d	h
Fe	raw	NS240-N2	180	240	114	310
CORTEN		NSC240-N2				
Fe		NS270-N2	170	270	138	290



Quality	Finish	art.	$V_s(\min)$	$V_s(\max)$	N_s	d
Fe	raw	NS240	170	190	240	114
CORTEN		NSC240				
Fe		NS270	160	180	270	138



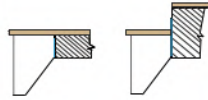
Quality	Finish	art.	$V_s(\min)$	$V_s(\max)$	N_s	d
Fe	raw	NS240-NV	170	190	240	114
CORTEN		NSC240-NV				
Fe		NS270-NV	160	180	270	138



ASSEMBLY MATERIAL IS INCLUDED IN ALL NS SETS AND INDIVIDUAL SEGMENTS

MODEL NS SETS

NS 240



ALT. 2

ALT. 1

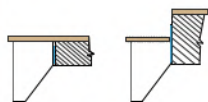


ALT. 2

ALT. 1

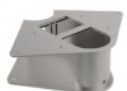
quality	finish	art.	HEIGHT (mm)		t (mm)	NS240		NS240	NS240	NS240		
			min-max	min-max		N1	N2			NV		
Fe	raw		180		40	1x				NV		
			360		40	1x	1x			NV		
			530-550	700-740	40	1x	1x				1x	
			700-740	870-930	40	1x	1x	1x			1x	
			870-930	1040-1120	40	1x	1x	2x			1x	
			1040-1120	1210-1310	40	1x	1x	3x			1x	
			1210-1310	1380-1500	40	1x	1x	4x			1x	
			1380-1500	1550-1690	40	1x	1x	5x			1x	
			1550-1690	1720-1880	40	1x	1x	6x			1x	
			1720-1880	1890-2070	40	1x	1x	7x			1x	
			1890-2070	2060-2260	40	1x	1x	8x			1x	
			NS240/V245-223	2060-2260	2230-2450	40	1x	1x	9x			1x
			NS240/V264-240	2230-2450	2400-2640	40	1x	1x	10x			1x
			NS240/V283-257	2400-2640	2570-2830	40	1x	1x	11x			1x
			NS240/V302-274	2570-2830	2740-3020	40	1x	1x	12x			1x
		2740-3020	2910-3210	40	1x	1x	13x			1x		
		2910-3210	3080-3400	40	1x	1x	14x			1x		

NS 270



ALT. 2

ALT. 1



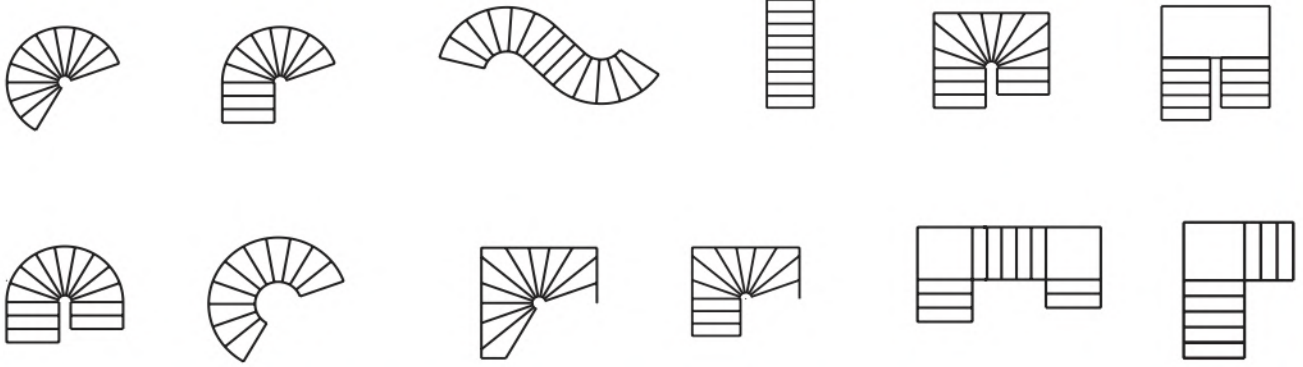
ALT. 2

ALT. 1

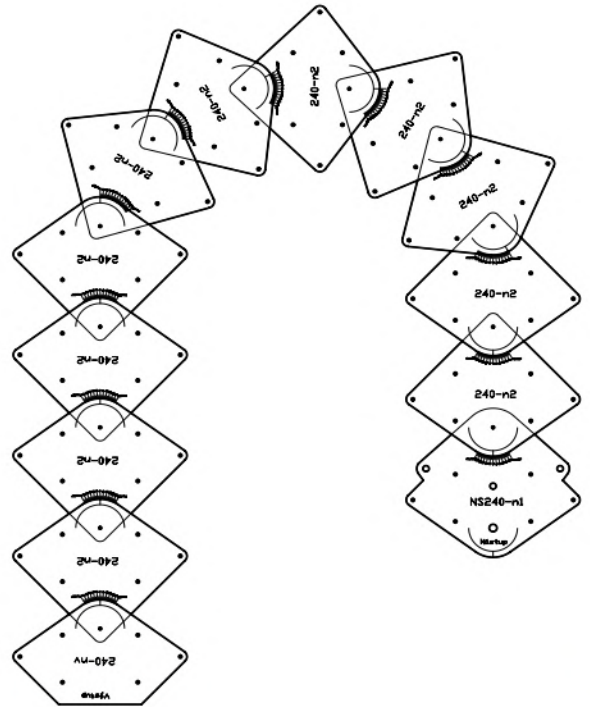
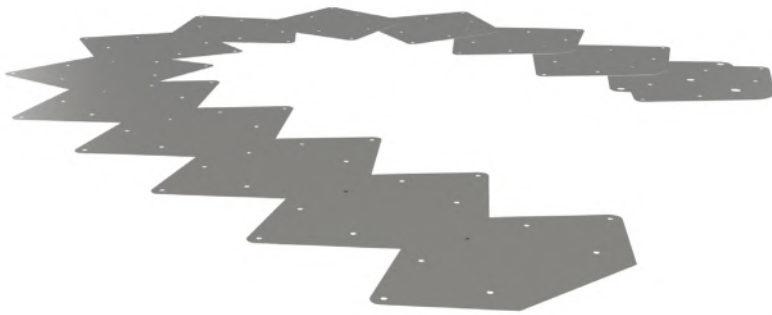
quality	finish	art.	HEIGHT (mm)		t (mm)	NS270		NS270	NS270	NS270		
			min-max	min-max		N1	N2			NV		
Fe	raw		170		40	1x				NV		
			340		40	1x	1x			NV		
			500-520	660-700	40	1x	1x				1x	
			660-700	820-880	40	1x	1x	1x			1x	
			820-880	980-1060	40	1x	1x	2x			1x	
			980-1060	1140-1240	40	1x	1x	3x			1x	
			1140-1240	1300-1420	40	1x	1x	4x			1x	
			1300-1420	1460-1600	40	1x	1x	5x			1x	
			1460-1600	1620-1780	40	1x	1x	6x			1x	
			1620-1780	1780-1960	40	1x	1x	7x			1x	
			1780-1960	1940-2140	40	1x	1x	8x			1x	
			1940-2140	2100-2320	40	1x	1x	9x			1x	
			NS270/V250-226	2100-2320	2260-2500	40	1x	1x	10x			1x
			NS270/V268-242	2260-2500	2420-2680	40	1x	1x	11x			1x
			NS270/V286-258	2420-2680	2580-2860	40	1x	1x	12x			1x
	NS270/V304-274	2580-2860	2740-3040	40	1x	1x	13x			1x		
		2740-3040	2900-3220	40	1x	1x	14x			1x		

7

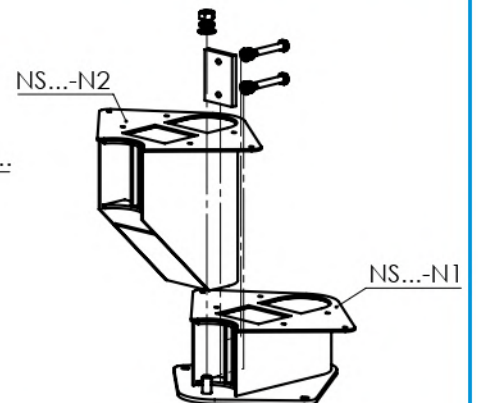
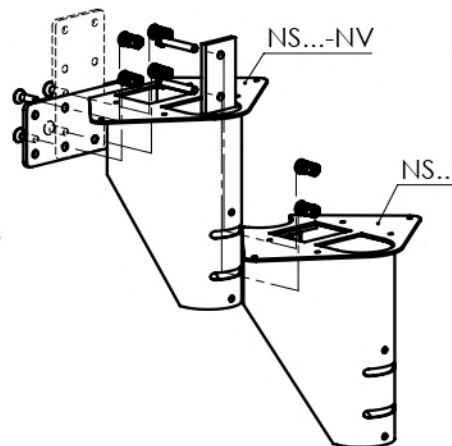
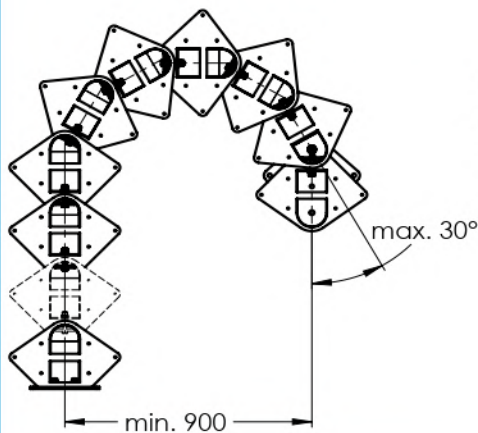
SEGMENT STAIRS



FOR MORE INFORMATION, SCAN QR CODE FOR OUR ASSEMBLY VIDEO OF NS STAIR SEGMENTS



Quality	Finish	art.
steel	Zn	NS240-model
		NS270-sablona



8 ACCESSORIES

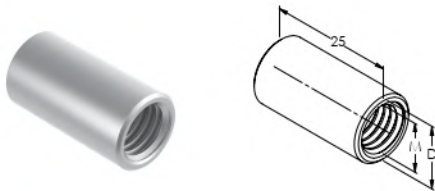




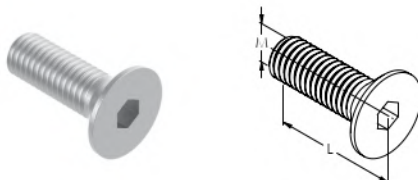
Quality	Finish	art.	M	L
AISI304	raw	A-DIN 914-A2 M5x5	5	5
		A-DIN 914-A2 M6x6	6	6
AISI316		A4-DIN 914 M5x5	5	5



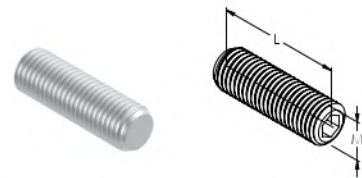
Quality	Finish	art.
AISI304	raw	A-DIN 916-A2 M10x14
AISI316		A4-DIN 916 M10x14



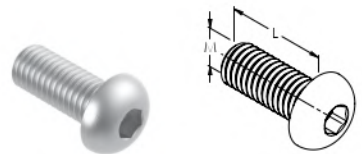
Quality	Finish	art.	M	D
AISI304	raw	A-DIN 6334V M8x25-A2	8	11
		A-DIN 6334V M10x25-A2	10	13



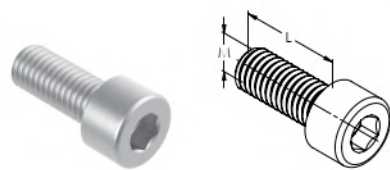
Quality	Finish	art.	M	L
steel 8.8	Zn	DIN 7991 M8x20-Zn	8	20
		DIN 7991 M12x30-Zn	12	30
AISI304	raw	A-DIN 7991-A2 M5x12		12
		A-DIN 7991-A2 M5x16	5	16
		A-DIN 7991-A2 M5x20		20
		A-DIN 7991-A2 M6x8		8
		A-DIN 7991-A2 M6x14		14
		A-DIN 7991-A2 M6x16	6	16
		A-DIN 7991-A2 M6x20		20
		A-DIN 7991-A2 M6x40		40
		A-DIN 7991-A2 M8x12		12
		A-DIN 7991-A2 M8x35	8	35
AISI316		A4-DIN 7991 M5x16	5	16
		A4-DIN 7991 M6x14	6	14
		A4-DIN 7991 M6x40		40
		A4-DIN 7991 M8x20		20
		A4-DIN 7991 M8x70	8	70
		A4-DIN 7991 M10x20	10	20
		A4-DIN 7991 M12x30	12	30



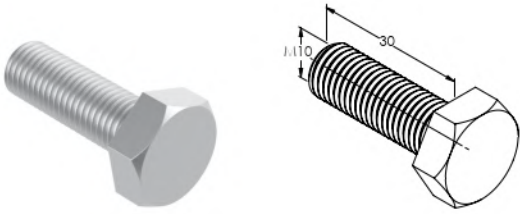
Quality	Finish	art.	M	L
AISI304	raw	A-DIN 913-A2 M6x10	6	10
		A-DIN 913-A2 M6x12		12
		A-DIN 913-A2 M8x16		16
		A-DIN 913-A2 M8x20		20
		A-DIN 913-A2 M8x25		25
		A-DIN 913-A2 M8x30	8	30
		A-DIN 913-A2 M8x40		40
		A-DIN 913-A2 M8x80		80
		A-DIN 913-A2 M10x12		12
		A-DIN 913-A2 M10x35	10	35
AISI316		A4-DIN 913 M5x5	5	5
		A4-DIN 913 M6x10	6	10
		A4-DIN 913 M6x12		12
		A4-DIN 913 M10x12	10	12
		A4-DIN 913 M10x55		55



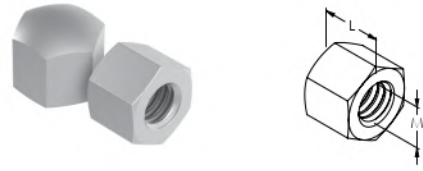
Quality	Finish	art.	M	L
steel 8.8	Zn	DIN 7380 M10x20 8.8-Zn	10	20
AISI304	raw	A-DIN 7380-A2 M5x12	5	12
		A-DIN 7380-A2 M6x12	6	
		A-DIN 7380-A2 M8x10		10
		A-DIN 7380-A2 M8x12	8	12
		A-DIN 7380-A2 M8x20		
		A-DIN 7380-A2 M10x20	10	20
AISI316		A4-DIN 7380 M5x12	5	12
		A4-DIN 7380 M5x16		16
		A4-DIN 7380 M6x12	6	12
		A4-DIN 7380 M8x20	8	
		A4-DIN 7380 M10x20	10	20



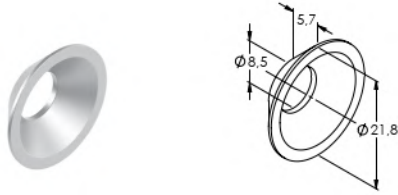
Quality	Finish	art.	M	L
AISI304	raw	A-DIN 912-A2 M5x20	5	20
		A-DIN 912-A2 M8x20	8	
		A-DIN 912-A2 M12x25	12	25
		A-DIN 912-A2 M12x35		35



Quality	Finish	art.
steel 8.8	Zn	DIN 933 M10x30 8.8-Zn
AISI316	raw	A4-DIN 933 M10x30



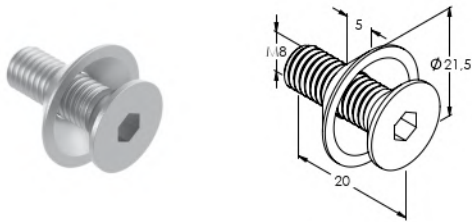
Quality	Finish	art.	M	L
AISI304	raw	A-DIN 917 M8	8	10
		A-DIN 917 M10	10	12



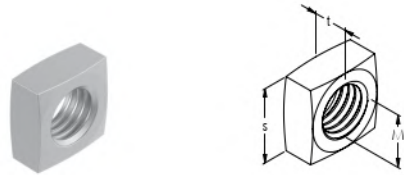
Quality	Finish	art.
AISI316	raw	A14/O8-WASHER



Quality	Finish	art.	M	L
AISI304	raw	A-DIN 934 M8	8	6,5
		A-DIN 934 M10	10	8
		A-DIN 934 M12	12	10
AISI316		A4-DIN 934 M10	10	8



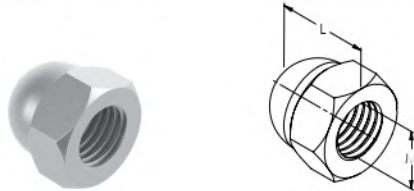
Quality	Finish	art.
steel 8.8	Zn	W-DIN 7991 M8x20-P
AISI316	raw	W-DIN 7991-A4 M8x20-P



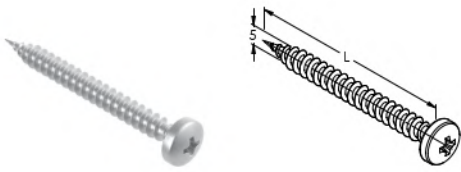
Quality	Finish	art.	M	s	t
AISI304	raw	A-DIN 562 M6	6	10	3,2
		A-DIN 562 M8	8	13	4
		A-DIN 562 M10	10	17	5



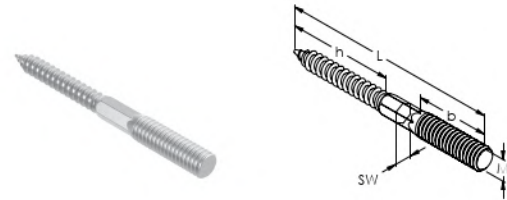
Quality	Finish	art.	d	t
steel	Zn	DIN 125 10-Zn	10	2
		DIN 9021 10-Zn		2,5
AISI304	raw	A-DIN 125-A2 M5	5	1
		A-DIN 125-A2 M8	8	1,6
		A-DIN 125-A2 M10	10	2
		A-DIN 9021-A2 M10		2,5
		A-DIN 125-A2 M12	12	2,5
		A-DIN 433-A2 M12		2



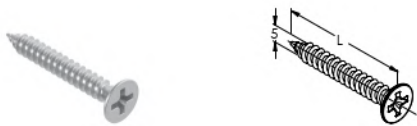
Quality	Finish	art.	M	L
AISI304	raw	A-DIN 1587-A2 M6	6	12
		A-DIN 1587-A2 M8	8	15
		A-DIN 1587-A2 M10	10	18
AISI316		A4-DIN 1587 M10	10	18



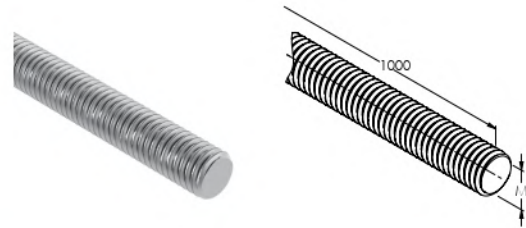
Quality	Finish	art.	L
AISI304	raw	A-PH 5x20	20
		A-PH 5x35	35



Quality	Finish	art.	M	L	b	h	SW
AISI304	raw	A-DIN 9210 M8x60-A2	8	60	20	37	-
AISI316		A-DIN 9210 M10x100-A2	10	100	30	57	✓
AISI316	raw	A4-DIN 9210 M8x60	8	60	20	37	-



Quality	Finish	art.	L
AISI304	raw	A-DIN 7505A 5x20	20
		A-DIN 7505A 5x35	35



Quality	Finish	art.	M
AISI304	raw	A-DIN 975 M6	6
		A-DIN 975 M8	8
		A-DIN 975 M10	10
		A-DIN 975 M12	12
AISI316	raw	A4-DIN 975 M10	10



Quality	Finish	art.	M	L
AISI304	raw	A-FTT-M5	5	12
		A-FTT-M6	6	14
		A-FTT-M8	8	16,5
		A-FTT-M10	10	19



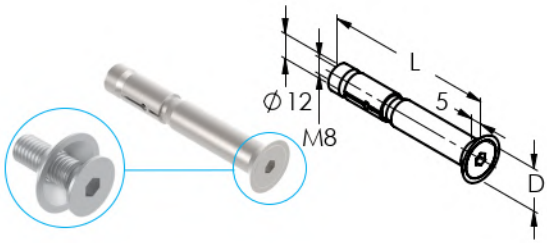
Quality	Finish	art.
AISI304	raw	A-DIN 7337-A2 4,8x20



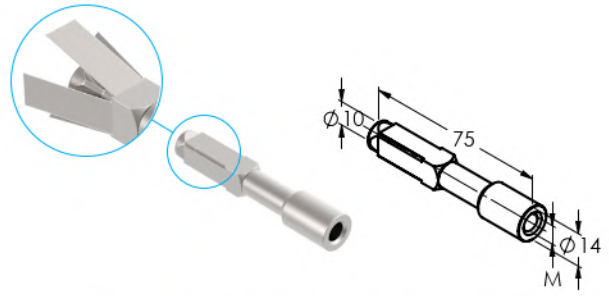
Quality	Finish	art.	M
steel	Zn	WOOD/M8-D	8
		WOOD/M10-D	10



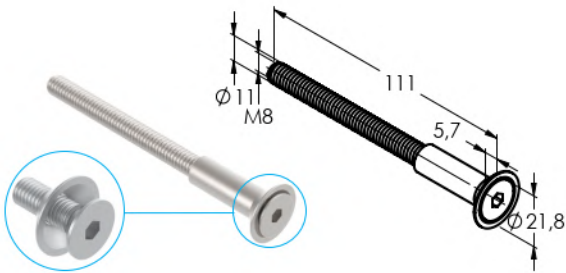
Quality	Finish	art.
PVC	satin	A19/04-PVC
	polish	A19/04-PVC-L
	raw	A12/12-PVC
		A12/12-35-PVC



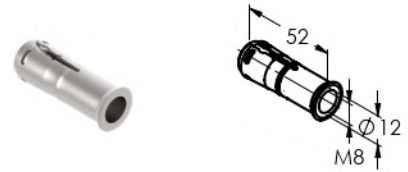
Quality	Finish	art.	L	D/v
steel	Zn	Q5/08-HAZ-M8-80SK/S	80	20,5/5
		Q5/08-FH12-50	125	22/5,8
AISI316	raw	A5/08-HAZ-M8-80SK/A4	80	20,5/5



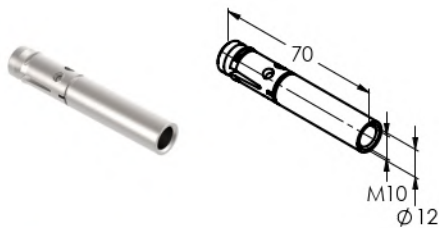
Quality	Finish	art.	M
steel	raw	Q11/FPX-M8	8
		Q11/FPX-M10	10



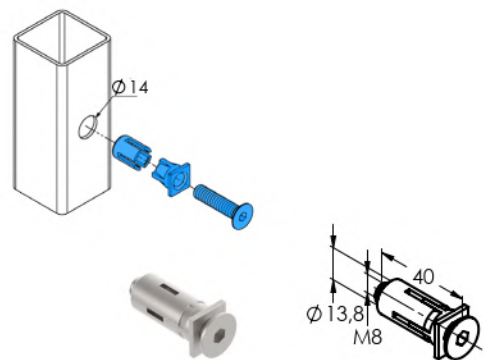
Quality	Finish	art.
AISI304	raw	A5/08-105x11xM8



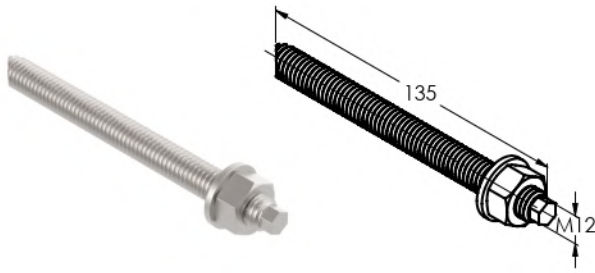
Quality	Finish	art.
steel	Zn	Q5/08-TNTR08-8x52



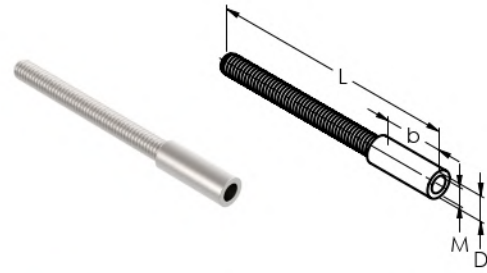
Quality	Finish	art.
steel	Zn	Q5/08-FAZ-IG-M10-70/S
AISI316	raw	A5/08-FAZ-IG-M10-70/A4



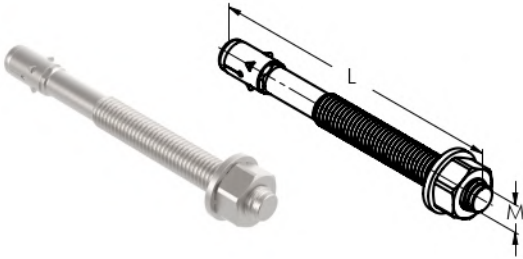
Quality	Finish	art.
steel	Zn	Q5/09-Quick-Fix QF5



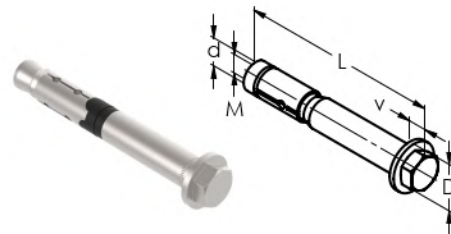
Quality	Finish	art.
steel 5.8	Zn	Q5/08-VM250-M12-135
AISI316	raw	A5/08-VM250-M12-135-A4



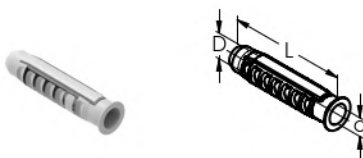
Quality	Finish	art.	M	L	D	b
AISI304	raw	A19/27-M8	8	140	11	15
		A19/27-M10	10		13	
		A19/27-M12	12	130	15	25



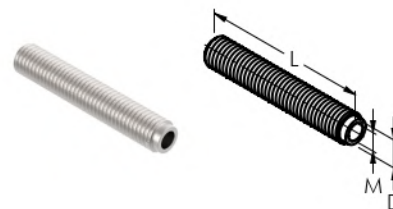
Quality	Finish	art.	M	L
steel	Zn	Q5/06-8x100CE	8	92
		Q5/06-10x120CE	10	120
	raw	Q5/08-FBN12-30	12	126
	Zn	Q5/06-16x123CE	16	123
		Q5/06-16x138CE	16	138
AISI304	raw	A-Q5/06-10x120CE	10	120



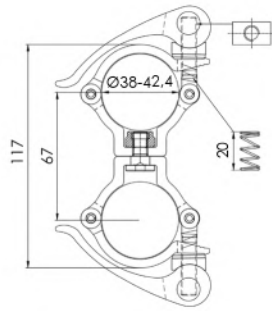
Quality	Finish	art.	M	L	d	D/v
steel	Zn	Q5/08-HAZ-M8-85S/S	8	85	12	20/7,5
	raw	Q5/08-FH15/25 S	10	89	15	25/9,5
		Q5/08-HAZ-M10-106S/S		106		
AISI316	raw	A5/08-HAZ-M8-85S/A4	8	85	12	20/7,5
		A5/08-HAZ-M10-106S/A4	10	106	15	25/9,5



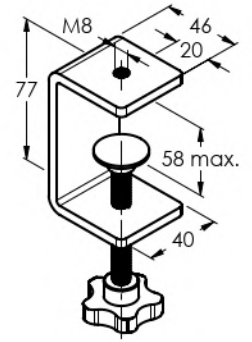
Quality	Finish	art.	D	d	L
NYLON	gray	Q5/07-8 NYLON	8	2,5-4	40
		Q5/07-10 NYLON	10	3-6	50
		Q5/07-12 NYLON	12	4-8	60



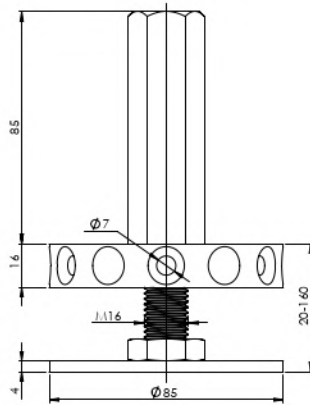
Quality	Finish	art.	M	L	D
steel 5.8	Zn	Q5/08-VHG-M8-100/S	8	100	12
		Q5/08-VHG-M10-80/S	10	80	16
		Q5/08-VHG-M12-125/S	12	125	20
AISI316	raw	A5/08-VHG-M8-100/A4	8	100	12
		A5/08-VHG-M10-80/A4	10	80	16
		A5/08-VHG-M12-125/A4	12	125	20



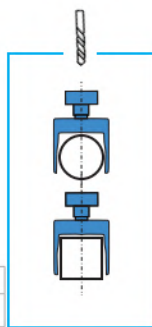
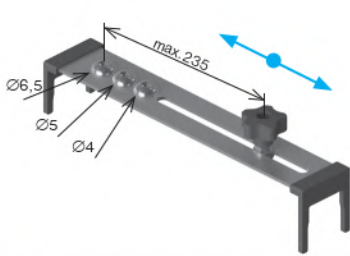
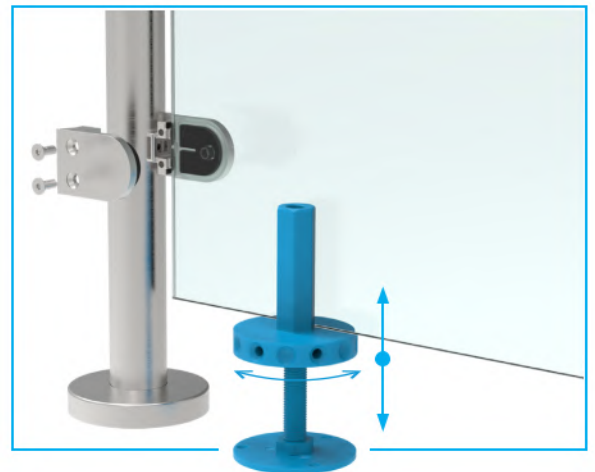
Quality	Finish	art.
ALUMINIUM	satin	AL/0792-3842



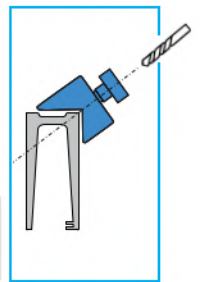
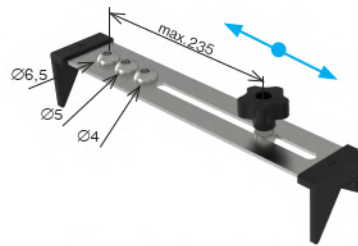
Quality	Finish	art.
AISI304	satin	A6/2xM8-77x40



Quality	Finish	art.	description
Fe	Zinc	MP/GLASS-01	glass mount on post railings



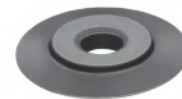
Quality	art.	Ø	⊠
AISI304	A/40580-PLASTIC	42,4	40



Quality	art.	compatibility
AISI304	A/40580-PLASTIC-V2	AL/0004... AL/0004-eco... AL/0004-PRO...



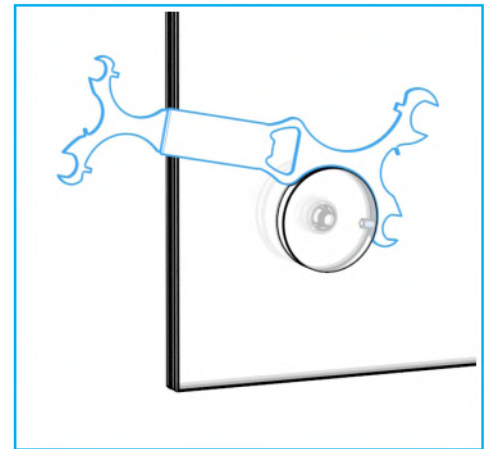
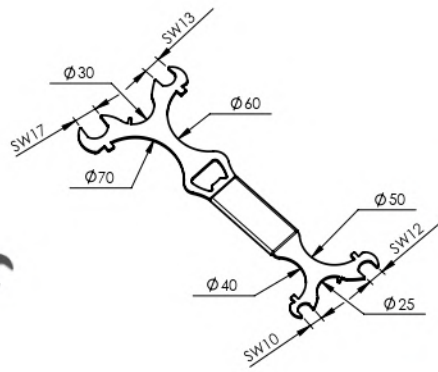
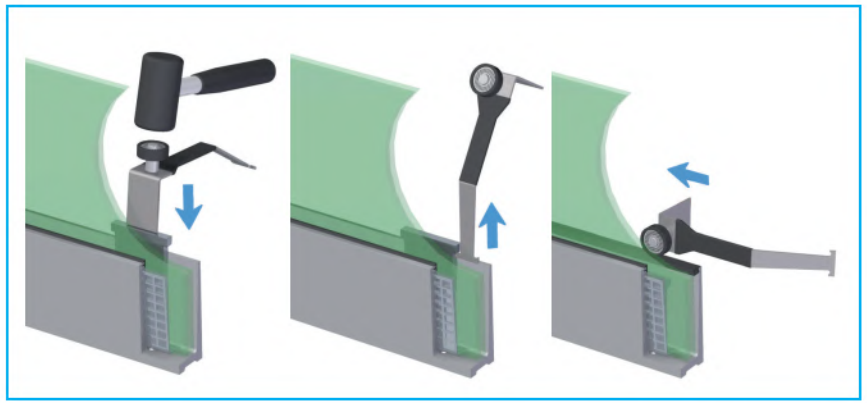
art.	Ø	description
Q1/B02-INOX	3-45	Pipe cutting



art.	compatibility
Q1/B02-INOX-RK	Q1/B02-INOX



	art.
AL/glass-mont	



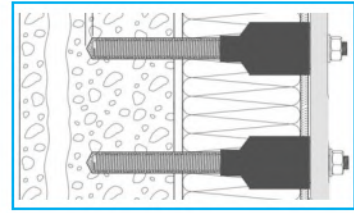
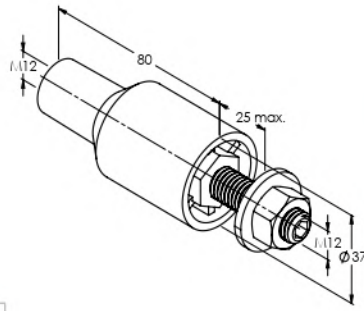
Quality	Finish	art.
AISI304	raw	A19/model741-8



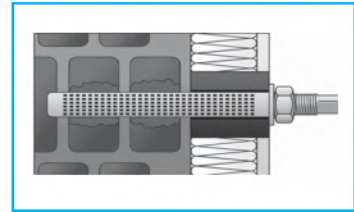
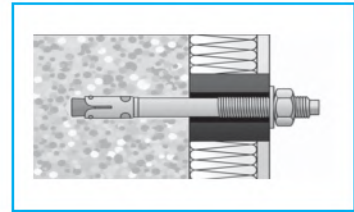
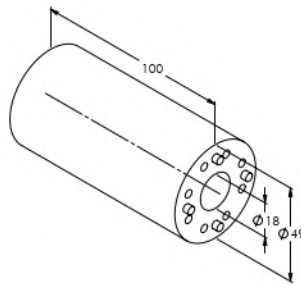
art.	total length	ext. square
Q8/70-275-PRO	275mm	1/4"



art.
AL/glass-mont-PRO



Quality	Finish	art.	M
AISI304	raw	Q10/Therm-M12/M12	12-12
		Q10/Therm-mini-M10/M8	10-8



Quality	Finish	art.
PVC	black	A19/05-100





art.	ml	quality	description
Q5/01GF-300 Nordic			-20°C +10°C
Q5/01GF-400 Nordic		vinylester	
Q5/01GF-300			-10°C +30°C
Q5/01GF-400			



art.	ml	quality	description
Q5/01TK-300 Winter			-20°C +10°C
Q5/01TK-400 Winter		vinylester	
Q5/01TK-300			0°C +35°C
Q5/01TK-400			



art.	ml	quality	description
Q5/01GFP-300			-5°C +30°C
Q5/01GFP-400		Polyester	



art.	ml	quality	description
Q5/05TR-310		Silicone	-5°C +40°C



art.	ml	quality	description
Q5/01-WIT-UH300...	320	uretan vinylester	-5°C +40°C
Q5/01-WIT-VM250...	300	vinylester	-10°C +40°C



art.	M	L
Q5/04	17	215



art.	description
Q5/03-300	300ml, hobby



art.	description
Q5/03-400	400ml, profi



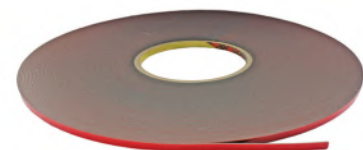
art.	description
Q5/01-16x130	mesh



art.	description
Q5/02	blow pump



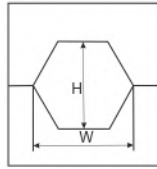
art.	t	b	L
Q9/03-3x12	3	12	16,5



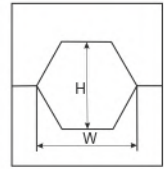
art.	t	b	L
Q9/03-0,2x9	0,2	9	50
Q9/03-0,5x9	0,5	9	33



art.	Mould size	W	H
Q8/95	10	6	5,3
	16	7,3	6,4
	25	9	7,6
	35	11	9,2
	50	13	10,8
	70	13,5	12
	95	17	14,5
	120	19	16



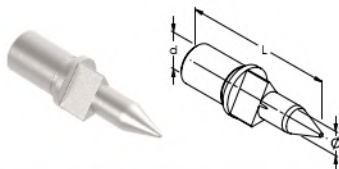
art.	Mould size	W	H
Q8/95-1	4	4	3
	6	5	3,5
	8	6	4,5
	10	6,5	5,4
	16	8,5	6,4
	25	10	7,4
	35	12	8,4
	50	14	10
	70	16	12



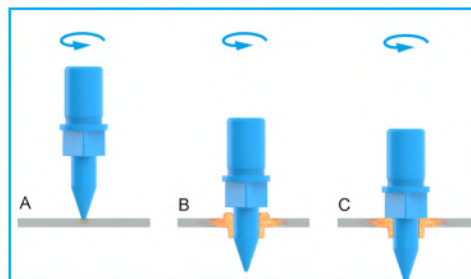
Quality	art.	M	Ø
HSS-CO5	A-DRILL-M5	5	4
	A-DRILL-M6	6	4,8
	A-DRILL-M8	8	6,4



Quality	art.	M
HSSE	Q8/SCREW-M8	8
	Q8/SCREW-M10	10



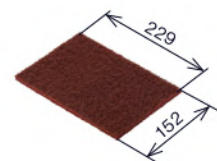
Quality	art.	M
HSSE	A/FDRILL-M5C	5
	A/FDRILL-M6C	6
	A/FDRILL-M8C	8
	A/FDRILL-M10C	10



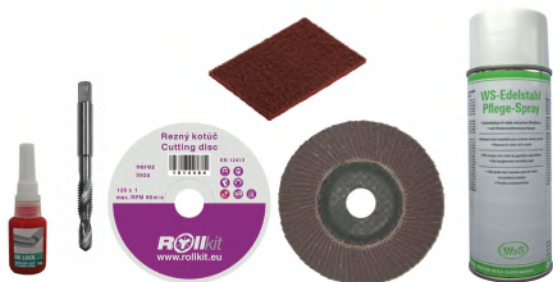
art.	description
Q1/RN01-125x1	cutting disc <i>top</i>



art.	description
Q1/L01-125-40	flap disc
Q1/L01-125-80	flap disc
Q1/L01-125-120	flap disc



art.	granularity
Q1/G01	360



art.
Q/INOX-INSTALL-SET



art.	PCS
A/Glue-10g-C	1x
A-DRILL-M5	
Q1/RN01-125x1	
Q1/L01-125-40	
Q1/G01	
A/spray-WS	



art.	g	gap	description
A/Glue-10g-C	10	0,2	INOX



art.	g	gap	description
A/Glue-20g	20	0,2	all purpose superfast



art.	g	gap	description
A/GLUE-50g-C	50	0,2	INOX
A/GLUE-50g-D		0,4	INOX



art.	ml	description
W/glue-25ml	25	wood



art.	g	description
A/ACTIVATOR-50g	50	for A/Glue..
CA/ACTIVATOR	1000	corten effect
CA/LAK	1000	lacquer for corten



art.	ml	description
A/spray-WS	400	INOX <i>top</i>



art.	ml	description
A/Cleaner-500ml	500	INOX



Art.
PNL/G03-30x42



GS/SAMPLE...



Art.
PNL/GLASS-AD-01-2017



Art.
REK-CASE-ALU



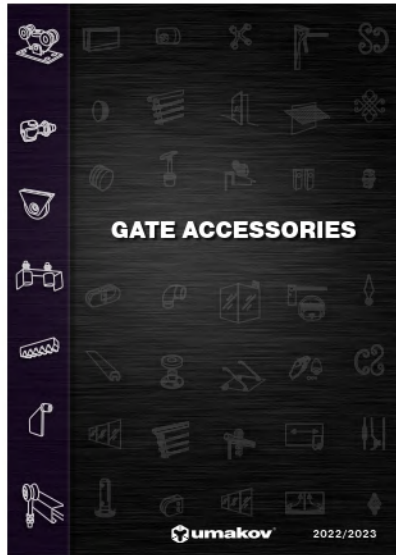
Art.
REK-CASE-ALU-PRO



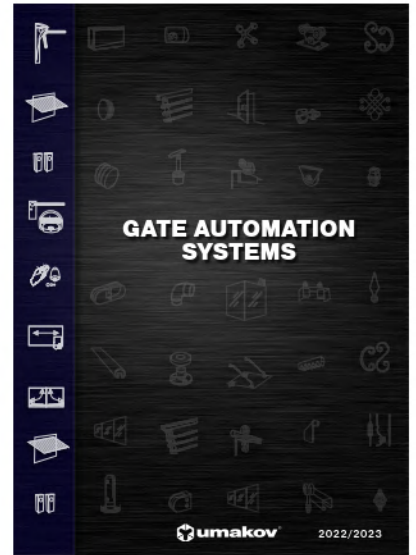
Art.
REK-CASE-INOX3



Art.
KAT-FORGED-2022/23



Art.
KAT-GATES-2022/23



Art.
KAT-AUTOMATIONS-2022/23



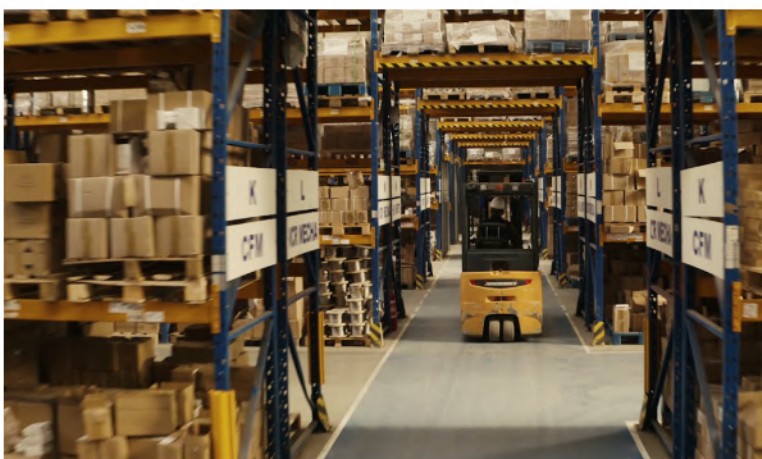
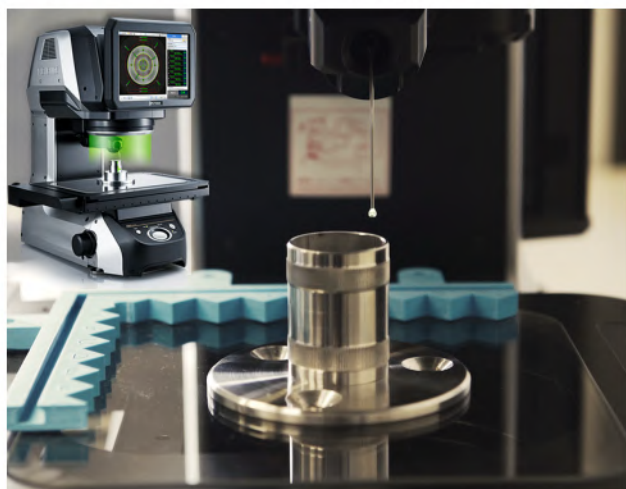
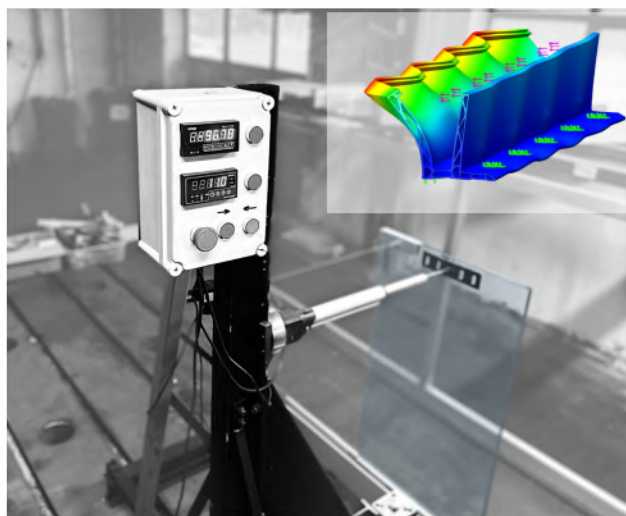
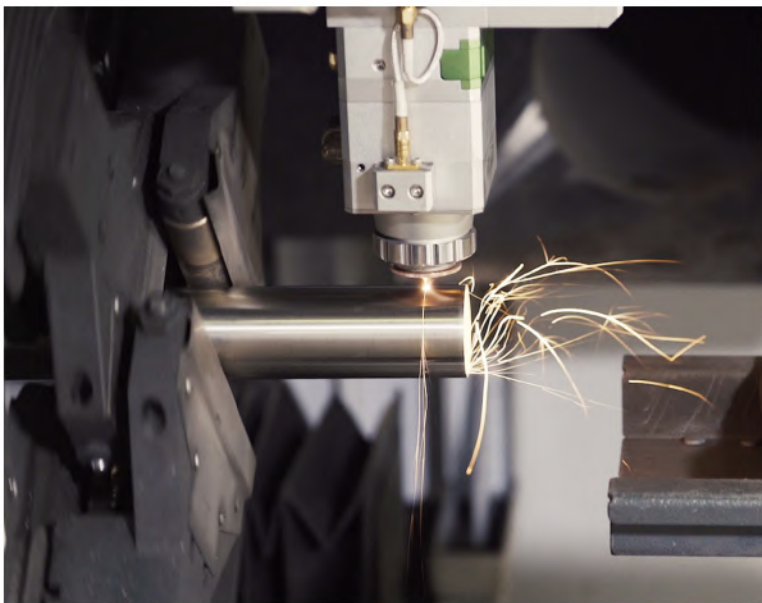
Art.
KAT-GLASS RAILINGS-2022/23



Art.
KAT-POST RAILINGS-2022/23



Art.
KAT-GLASS SYSTEMS-2022/23



INOX AISI304 ✓ AISI316 ✓ S.S. 2205 ✓ ALUMINIUM ✓ ZAMAK ✓	INOX AISI304 ✓ AISI316 ✓ S.S. 2205 ✓ ALUMINIUM ✓ ZAMAK ✗	INOX AISI304 ✗ AISI316 ✓ S.S. 2205 ✓ ALUMINIUM ✓ ZAMAK ✗
INOX AISI304 ✗ AISI316 ✓ S.S. 2205 ✓ ALUMINIUM ✓ ZAMAK ✗	INOX AISI304 ✗ AISI316* ✓ S.S. 2205 ✓ ALUMINIUM ✓ ZAMAK ✗	INOX AISI304 ✗ AISI316 ✗ S.S. 2205 ✓ ALUMINIUM ✗ ZAMAK ✗

material						
AISI304	nerezová oceľ	stal nierdzewna	rozsdamentes acél	stainless steel	Edelstahl	INOX
AISI316						
S.S. 2205						
CORTEN	corten oceľ	corten stal	corten acél	corten steel	Cortenstahl	corten
ALUMINIUM	hliník	aluminium	aluminium	aluminium	Aluminium	aluminium
ZAMAK	zliatina Zn+Al	stop cynku i aluminium	Zn+Al ötvözet	ZAMAC	Zinkdruckguss	alliage Zn+Al
Fe	železo	želazo	vas	iron	Eisen	fer
Zn	zinok	cynk	cink	zinc	Zink	zinc
Brass	mosadz	miedź	sárgaréz	brass	Messing	laiton
PVC	PVC	PVC	PVC	PVC	PVC	PVC
Rubber	guma	guma	gumi	rubber	Gummi	gomme
Beech	buk	buk	bükk	beech	Buche	hêtre
Oak	dub	dąb	tölgy	oak	Eiche	chêne
Spruce	smrek	świerk	lucfenyő	spruce	Fichte	épicéa
VSG/ESG	sklo	szklo	üveg	glass	Glas	verre
finish/effect						
satín	brus K320	szlif K320	szálciszolt K320	brushed K320	geschliffen K320	brossé K320
silver	strieborný	srebro	ezüst	silver	Silber	argent
polish	lesk	polerowany	tükör polírozott	polished	poliert	poli
raw	surový	surowy	nyers	raw	roh	brossé
natural	nebrúsený	neszlifovaný	natúr	rough	ungeschliffen	non-brossé
INOX	nerez	nierdzewny	rozsdamentes	inox	Edelstahl	inox
ELOX	eloxovaný	anodowany	eloxált	elox	Eloxiert	anodisé
	potrebné úpravy	niezbędne przystosowanie	szükséges módosítás	necessary modification	Anpassung ist notwendig	modification nécessaire
	nezmontované	niezłożone	nem összeszerelt	not assembled	unmontiert	non assemblé
	približný rozmer	przybliżone wymiary	közeliítő méretek	approximate dimension	die Abmessungen sind ungefähr	dimensions approximatives
	bestseller	bestseller	legjobban eladott	best seller	Bestseller	best-seller
	novinka 2022	nowość 2022	új 2022	new 2022	Neuheit 2022	nouveau 2022
	LED					

- INOX AISI 304**
- vhodný do prostredia bez chlóru a oxidu siričitého
INOX AISI 316
- vhodný do prostredia s vysokým obsahom chlóru, oxidu siričitého, vysokej vlhkosti, do prímorských regiónov
INOX S.S. 2205- vhodný do prostredia s vysokým obsahom chlóru, oxidu siričitého, vysokej vlhkosti s prítomnosťou soli na pobreží a na voľnom mori.
- INOX AISI 304**
- suitable for the environment without chlorine and sulphur dioxide load
INOX AISI 316
- suitable for the environment with a high content of chlorine, sulphur dioxide load, high humidity, coastal regions
INOX S.S. 2205
- Suitable for environments with a high content of chlorine, sulfur dioxide, high humidity with salt on the coast and on the high seas.
- INOX AISI 304**
- przeznaczone dla środowiska bez dwutlenku siarki oraz chloru
INOX AISI 316
- przeznaczone dla środowiska o wysokiej zawartości dwutlenku siarki oraz chloru, wysokiej wilgotności oraz w regionach nadmorskie
INOX S.S. 2205
- Nadaje się do środowisk o wysokiej zawartości chloru, dwutlenku siarki, o wysokiej wilgotności, o dużym zasoleniu, w strefach nadmorskich, lub w bezpośrednim kontakcie z wodą morską.
- INOX AISI 304**
- alkalmazható olyan környezetben, ahol nincs klór és kén-dioxid terhelés
INOX AISI 316
- alkalmazható olyan környezetben, ahol magas a klór-, vagy kén-dioxid terhelés, magas a páratartalom, tengerparti régiókban
INOX S.S. 2205
- „Alkalmazható magas klór-, kén-dioxid-, sós nedvességtartalmú környezetben, valamint tengerparton és a nyílt tengeren”.
- INOX AISI 304**
- geeignet in Umgebung ohne Chlor und Schwefeldioxid
INOX AISI 316
- geeignet in Umgebung mit einem hohen Gehalt an Chlor, Schwefeldioxid oder in Umgebung mit hoher Luftfeuchtigkeit, in Küstenregionen
INOX S.S. 2205
- geeignet für Umgebungen mit hohem Gehalt an Chlor, Schwefeldioxid und hoher Luftfeuchtigkeit mit Salz an der Küste und auf hoher See
- INOX AISI 304**
- Convenable pour les environnements sans chlore et/ ou bioxyde de soufre
INOX AISI 316
- Convenable pour les environnements avec un contenu élevé de chlore et/ ou de bioxyde de soufre, une grande humidité, régions maritimes
INOX S.S. 2205
- Convenable au milieu avec un contenu élevé du dioxyde de soufre, ainsi qu'au milieu humide contenant du sel, tel que le bord de mer ou la mer ouverte.

TEST / CERTIFICATE						
					TESTED BY	

© právo na technické, tvarové a rozmerové zmeny vyhradené/ rights to technical, shape and dimensional changes reserved