

FRAMELESS GLASS RAILINGS



STATIC STUDIO

GAMIN



Faculty of Civil
Engineering



TESTED BY
RISE
SWEDEN



1 AL PROFILE SYSTEMS

4 - 37

2 GLASS ADAPTERS



38 - 45



3 SPIGOTS

46 - 51

4 GLASS CONNECTORS HANDRAIL HOLDERS FOR GLASS



52 - 59

1

AL PROFILE SYSTEMS



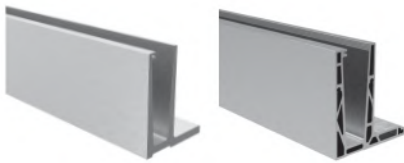


**U PROFILES
TOP MOUNT
FIX**

**AL/0004
AL/0004-ECO
AL/0008**

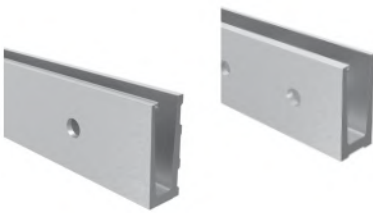
FLEX

AL/0004-PRO



**L PROFILES
TOP MOUNT
FIX**

**AL/0006
AL/0006-ECO**



**U PROFILES
SIDE MOUNT
FIX**

**AL/0005-D
AL/0009**



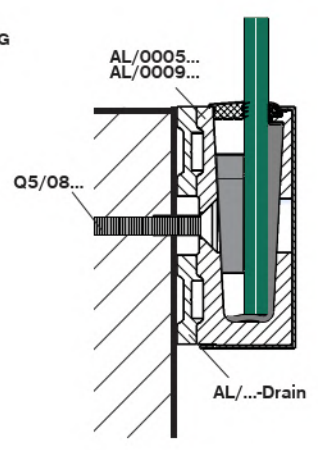
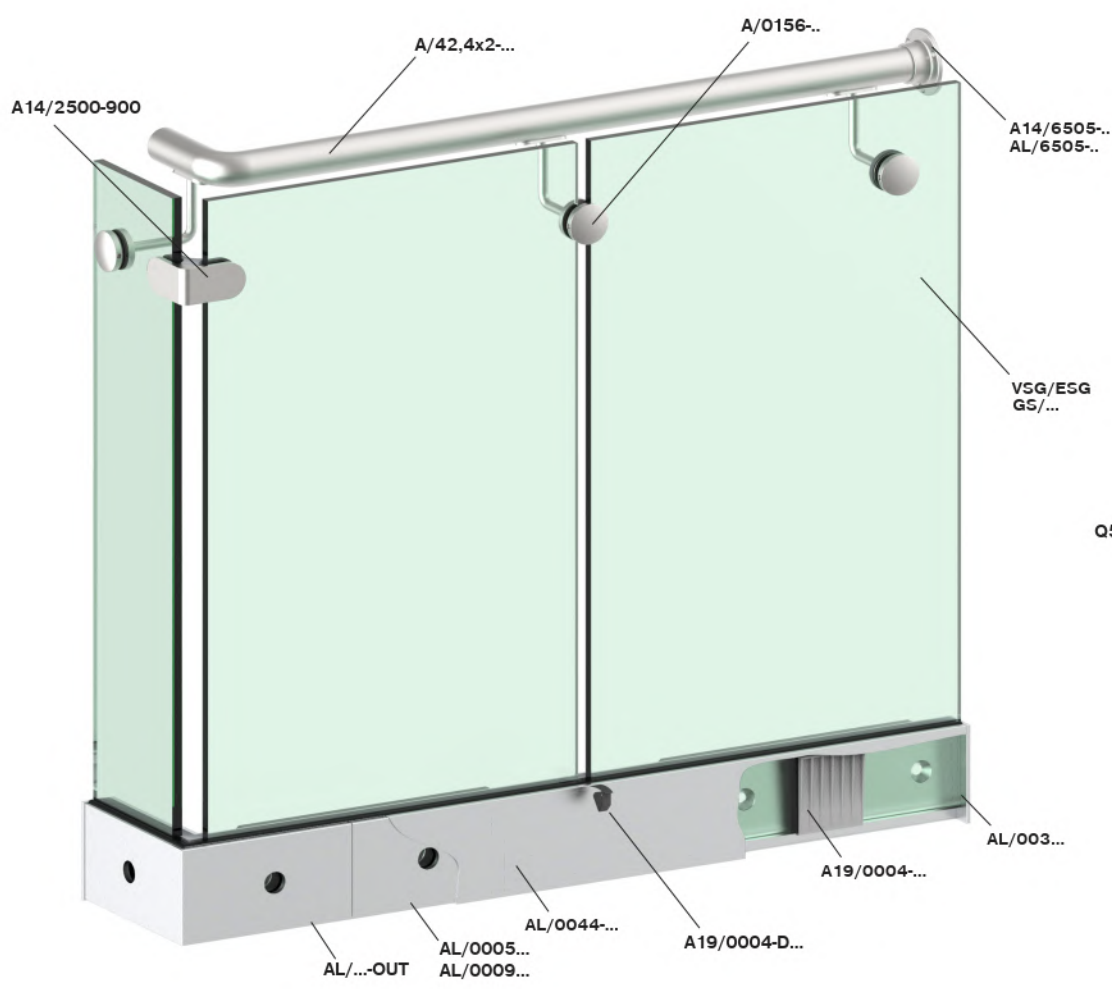
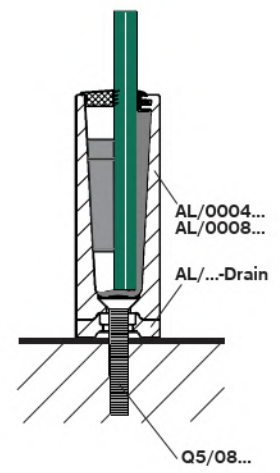
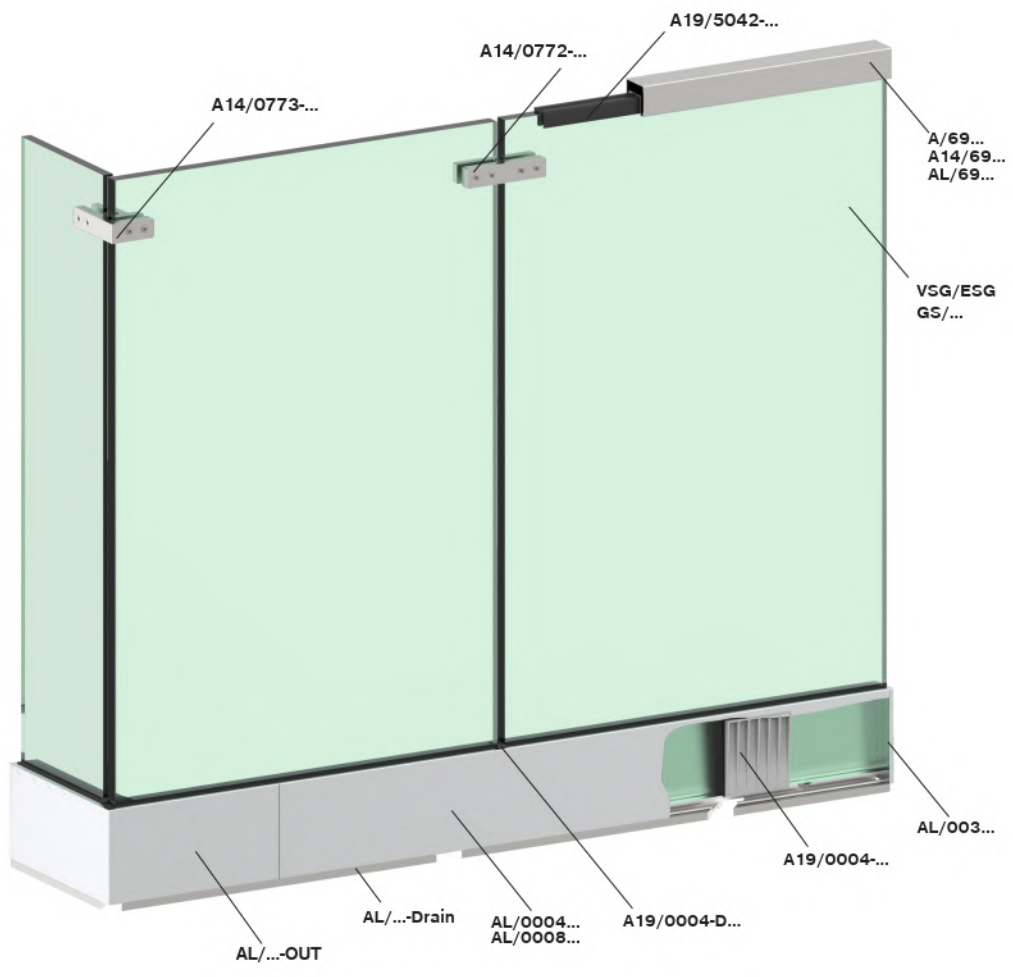
**Y PROFILES
SIDE MOUNT
FIX**

AL/0011



**GLASS
SETS**

**AL/ZALVR...004
AL/ZALVR...006
AL/ZALBR...005
AL/ZALBR...011**



	Material	Finish	Effect	art.	L	G/h	glass t	kg/m		
	ANODIZED ALUMINIUM	satin	silver	AL/0004-1250-S-E	1250	1kN	12-21,52	5,7		
				AL/0004-2500-S-E	2500					
				AL/0004-5000-S-E	5000					
				AL/0004-6000-S-E	6000					
				AL/0004-2500-S-VA-EXCLUSIVE	2500					
				AL/0004-5000-S-VA-EXCLUSIVE	5000					
	ANODIZED ALUMINIUM	satin	silver	AL/0004-ECO-2500-S-E	2500	1kN	12-21,52	4,8		
				AL/0004-ECO-5000-S-E	5000					
				AL/0004-ECO-6000-S-E	6000					
				AL/0004-ECO-2500-S-EB	2500					
				AL/0004-ECO-5000-S-EB	5000					
					ANODIZED ALUMINIUM					
AL/0004-PRO-5000-S-E	5000									
	ANODIZED ALUMINIUM	satin	silver	AL/0008-2500-S-E	2500	3kN	21,52-25,52	8,6		
				AL/0008-5000-S-E	5000					

top

new

	Material	Finish	Effect	art.	L	G/h	glass t	kg/m		
	ANODIZED ALUMINIUM	satin	silver	AL/0006-1250-S-E	1250	1kN	12-21,52	7		
				AL/0006-2500-S-E	2500					
				AL/0006-5000-S-E	5000					
				AL/0006-6000-S-E	6000					
	ANODIZED ALUMINIUM	satin	silver	AL/0006-ECO-2500-S-E	2500	1kN	12-21,52	5,9		
				AL/0006-ECO-5000-S-E	5000					
				AL/0006-ECO-6000-S-E	6000					
				AL/0006-ECO-2500-S-EB	2500					
	ANODIZED ALUMINIUM	satin	black	AL/0006-ECO-2500-S-EB	2500					
				AL/0006-ECO-5000-S-EB	5000					

top

	Material	Finish	Effect	art.	L	G/h	glass t	kg/m		
	ANODIZED ALUMINIUM	satin	silver	AL/0005-D-1250-S-E	1250	1 kN	12-21,52	6,3		
				AL/0005-D-2500-S-E	2500					
				AL/0005-D-5000-S-E	5000					
				AL/0005-D-6000-S-E	6000					
				AL/0005-D-2500-S-EB	2500					
				AL/0005-D-5000-S-EB	5000					
	ANODIZED ALUMINIUM	satin	silver	AL/0009-2500-S-E	2500	3 kN	21,52-25,52	8,6		
				AL/0009-5000-S-E	5000					

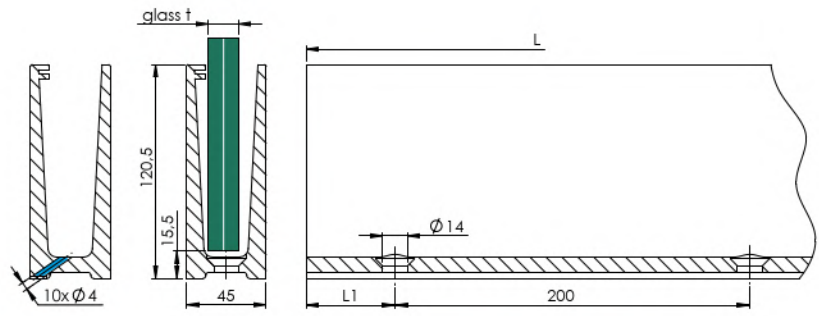
	Material	Finish	Effect	art.	L	G/h	glass t	kg/m		
	ANODIZED ALUMINIUM	natural	silver	AL/0011-1250-N-E	1250	1kN	12-21,52	9		
				AL/0011-2500-N-E	2500					
				AL/0011-5000-N-E	5000					
				AL/0011-6000-N-E	6000					
				AL/0011-2500-N-EB	2500					
				AL/0011-5000-N-EB	5000					

top

MODEL 0004



TESTED BY
STATIC STUDIO RISE
SWEDEN

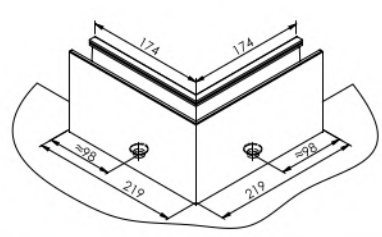
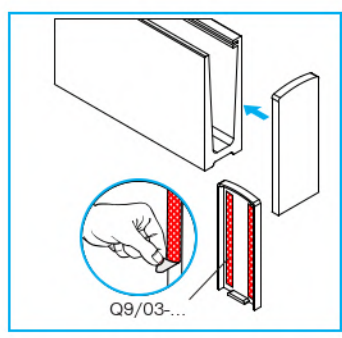


AL/0004...-S-E-Drain AL/0004...-S-E AL/0004...-S-VA..

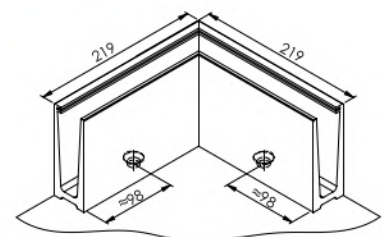
Material	Finish	Effect	art.	L	L1	G/h	glass t	AL/0004-S-E-Drain	built in drain	
ANODIZED ALUMINIUM	silver		AL/0004-1250-S-E	1250						
			AL/0004-2500-S-E	2500	50			✓		
			AL/0004-5000-S-E	5000						
			AL/0004-6000-S-E	6000	100	1kN	12,00-21,52			
	black		AL/0004-5000-S-E-Drain	5000					built in drain	
			AL/0004-5000-S-EB-Drain	5000						
		INOX		AL/0004-2500-S-VA-EXCLUSIVE	2500	50			✓	
				AL/0004-5000-S-VA-EXCLUSIVE	5000	100				



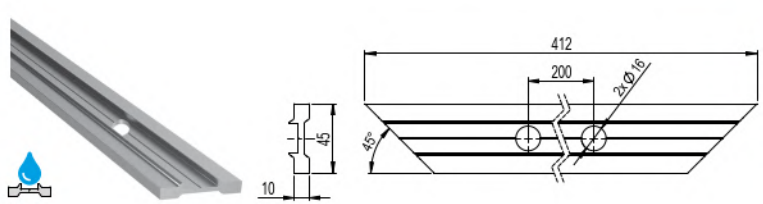
Material	Finish	Effect	art.
ANODIZED ALUMINIUM	silver		AL/0034-004-S-E
			AL/0034-004-S-VA-EX



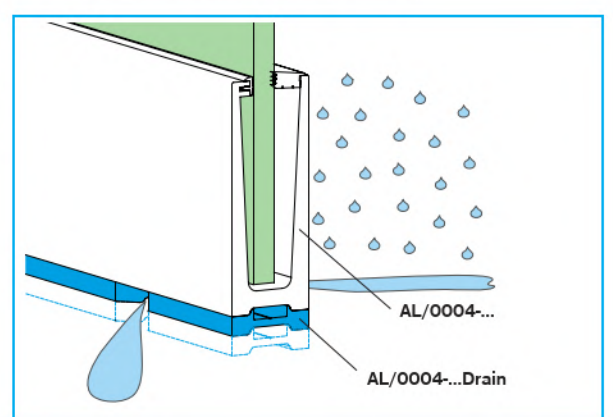
Material	Finish	Effect	art.
ANODIZED ALUMINIUM	silver		AL/0004-S-E-90-IN
			AL/0004-S-VA-EX-90-IN



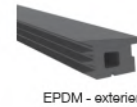
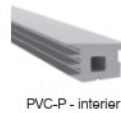
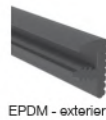
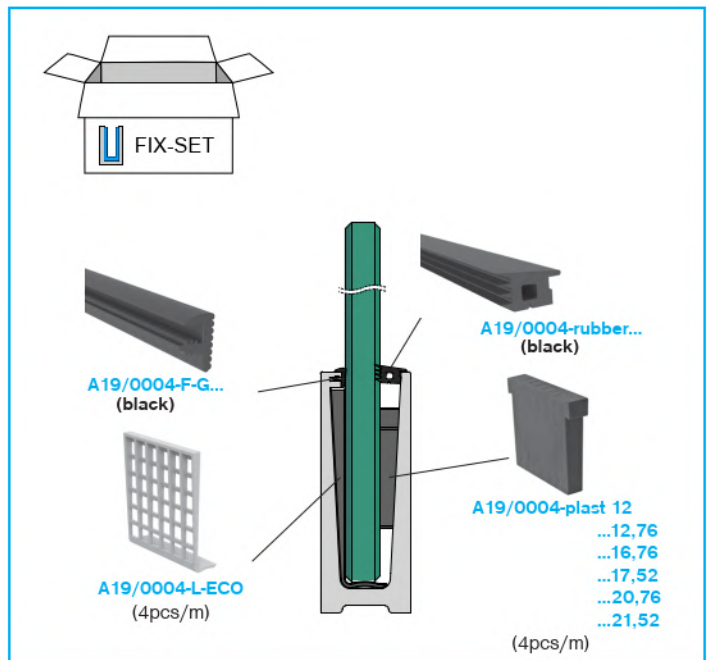
Material	Finish	Effect	art.
ANODIZED ALUMINIUM	silver		AL/0004-S-E-90-OUT
			AL/0004-S-VA-EX-90-OUT



Material	Finish	Effect	art.	compatibility	pcs
ANODIZED ALUMINIUM	silver		AL/0004-S-E-Drain	AL/0004-1250...	4
				AL/0004-2500...	7
				AL/0004-5000...	13
				AL/0004-6000...	15



Glass t (mm)	L (m)	art.
12 (12)	2,5	A19/0004-012-02.5
	5	A19/0004-012-05.0
	25	A19/0004-012-25.0
12,76 (66.2)	2,5	A19/0004-013-02.5
	5	A19/0004-013-05.0
	25	A19/0004-013-25.0
16,76 (88.2)	2,5	A19/0004-017-02.5
	5	A19/0004-017-05.0
	25	A19/0004-017-25.0
17,52 (88.4)	2,5	A19/0004-018-02.5
	5	A19/0004-018-05.0
	25	A19/0004-018-25.0
20,76 (1010.2)	2,5	A19/0004-021-02.5
	5	A19/0004-021-05.0
	25	A19/0004-021-25.0
21,52 (1010.4)	2,5	A19/0004-022-02.5
	5	A19/0004-022-05.0
	25	A19/0004-022-25.0

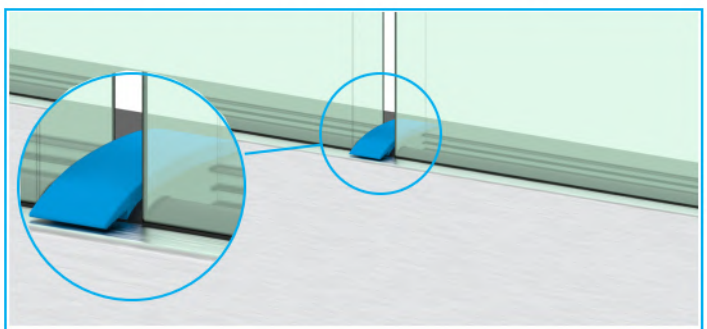


Quality	Finish	art.	L(m)	glass t
Rubber	gray (interier)	A19/0004-F-G-02.5	2,5	12-21,52
		A19/0004-F-G-05.0	5	
		A19/0004-F-G-25.0	25	
	black (exterier)	A19/0004-F-B-02.5	2,5	
		A19/0004-F-B-05.0	5	
		A19/0004-F-B-25.0	25	

Quality	Finish	art.	L(m)	glass t	
Rubber	gray (interier)	A19/0004-17-18-G-02.5	2,5	16,76-17,52	
		A19/0004-17-18-G-05.0	5		
		A19/0004-17-18-G-25.0	25		
	black (exterier)	A19/0004-rubber12-13-02.5	2,5		12,76-13,52
		A19/0004-rubber12-13-05.0	5		
		A19/0004-rubber12-13-25.0	25		
		A19/0004-rubber17-18-02.5	2,5		16,76-17,52
		A19/0004-rubber17-18-05.0	5		
		A19/0004-rubber17-18-25.0	25		
		A19/0004-rubber21-22-02.5	2,5		20,76-21,52
		A19/0004-rubber21-22-05.0	5		
		A19/0004-rubber21-22-25.0	25		

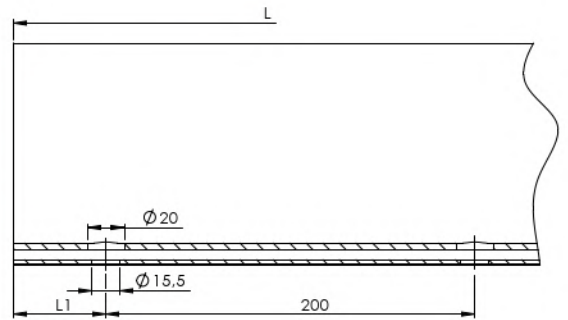
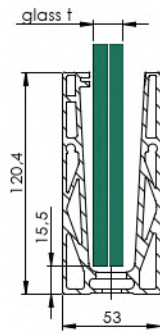


Quality	Finish	art.	L	glass t
Rubber	black	A19/0004-D-B-100	100	12-21,52

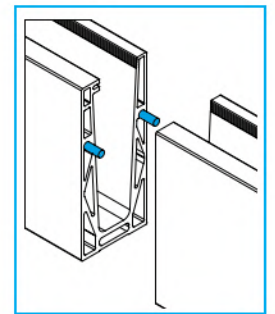
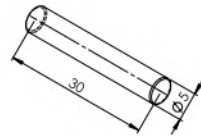
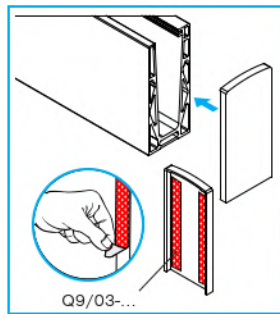


AL/0004				+	
	ANCHORS				
ANCHORS	CHEMICAL		5pcs/m		1pcs/2,5m
	MECHANICAL		5pcs/m		



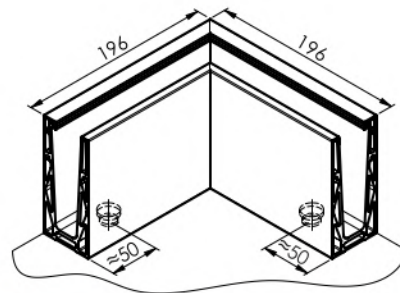
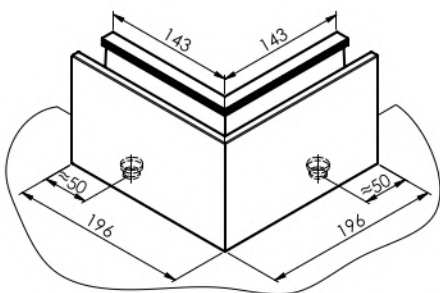


Material	Finish	Effect	art.	L	L1	G/h	glass t	AL/0004-ECO-Drain
ANODIZED ALUMINIUM	silver		AL/0004-ECO-2500-S-E	2500	50			
			AL/0004-ECO-5000-S-E	5000	100			
	black		AL/0004-ECO-2500-S-EB	2500	50	1kN	12,00-21,52	✓
			AL/0004-ECO-5000-S-EB	5000	100			



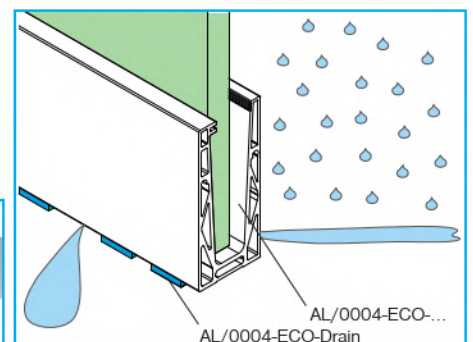
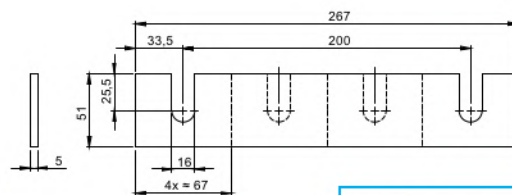
Material	Finish	Effect	art.
ANODIZED ALUMINIUM	satin	silver	AL/0034-004-ECO-S-E
		black	AL/0034-004-ECO-S-EB
AISI304			A/0034-004-ECO

Material	Finish	art.
AISI304	satin	A/0005-pin



Material	Finish	Effect	art.
ANODIZED ALUMINIUM	satin	silver	AL/0004-ECO-S-E-90-IN
		black	AL/0004-ECO-S-EB-90-IN

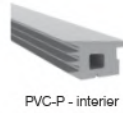
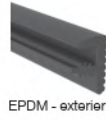
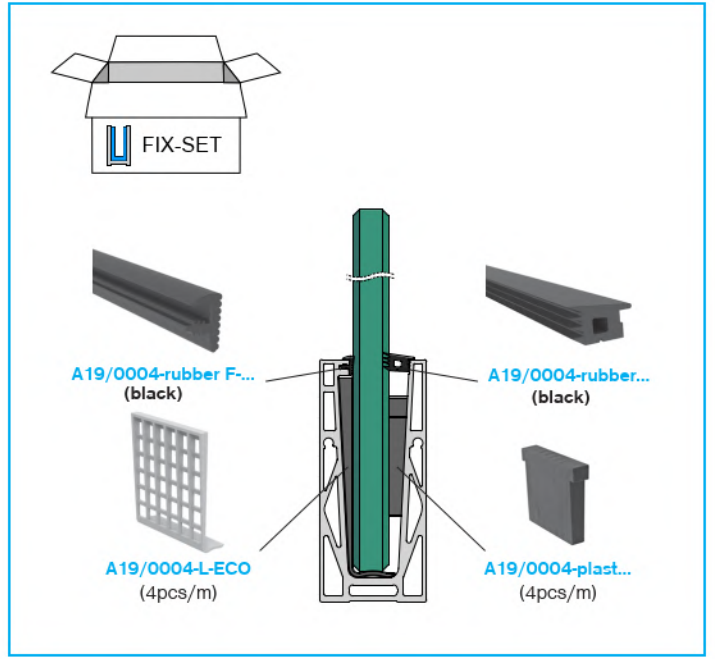
Material	Finish	Effect	art.
ANODIZED ALUMINIUM	satin	silver	AL/0004-ECO-S-E-90-OUT
		black	AL/0004-ECO-S-EB-90-OUT



Material	Finish	art.	compatibility	Pcs/m
AISI304	satin	A/0004-ECO-Drain	AL/0004-ECO-...-S-E AL/0004-ECO-...-S-EB	2,5

MODEL 0004-ECO

Glass t (mm)	L (m)	art.
12 (12)	2,5	A19/0004-012-02.5
	5	A19/0004-012-05.0
	25	A19/0004-012-25.0
12,76 (66.2)	2,5	A19/0004-013-02.5
	5	A19/0004-013-05.0
	25	A19/0004-013-25.0
16,76 (88.2)	2,5	A19/0004-017-02.5
	5	A19/0004-017-05.0
	25	A19/0004-017-25.0
17,52 (88.4)	2,5	A19/0004-018-02.5
	5	A19/0004-018-05.0
	25	A19/0004-018-25.0
20,76 (1010.2)	2,5	A19/0004-021-02.5
	5	A19/0004-021-05.0
	25	A19/0004-021-25.0
21,52 (1010.4)	2,5	A19/0004-022-02.5
	5	A19/0004-022-05.0
	25	A19/0004-022-25.0

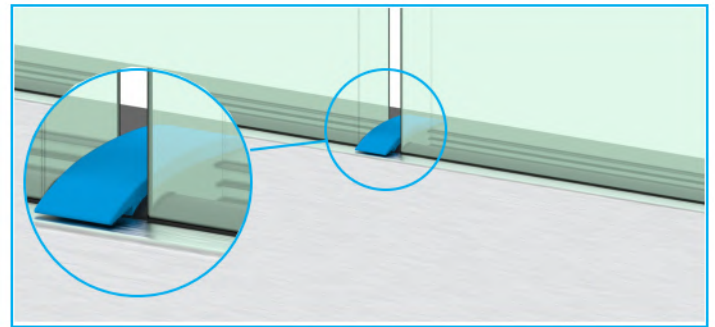


Quality	Finish	art.	L(m)	glass t
Rubber	gray (interier)	A19/0004-F-G-02.5	2,5	12-21,52
		A19/0004-F-G-05.0	5	
		A19/0004-F-G-25.0	25	
	black (exterier)	A19/0004-F-B-02.5	2,5	
		A19/0004-F-B-05.0	5	
		A19/0004-F-B-25.0	25	

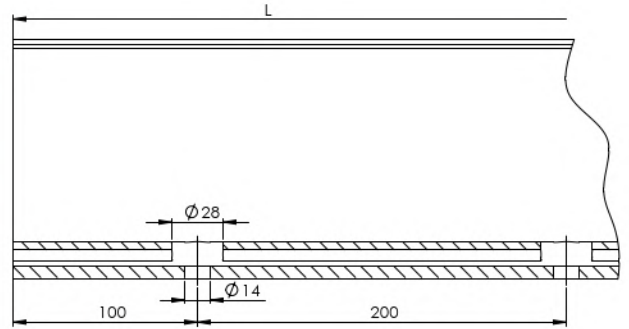
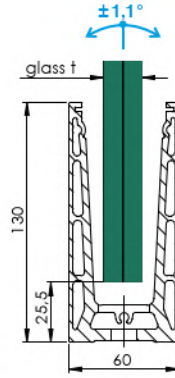
Quality	Finish	art.	L(m)	glass t	
Rubber	gray (interier)	A19/0004-17-18-G-02.5	2,5	16,76-17,52	
		A19/0004-17-18-G-05.0	5		
		A19/0004-17-18-G-25.0	25		
		A19/0004-rubber12-13-02.5	2,5		
		A19/0004-rubber12-13-05.0	5		
	black (exterier)	A19/0004-rubber12-13-25.0	25	12,76-13,52	
		A19/0004-rubber17-18-02.5	2,5		
		A19/0004-rubber17-18-05.0	5		
		A19/0004-rubber17-18-25.0	25		
		A19/0004-rubber21-22-02.5	2,5		
		A19/0004-rubber21-22-05.0	5		
		A19/0004-rubber21-22-25.0	25		
		A19/0004-rubber21-22-02.5	2,5		20,76-21,52
		A19/0004-rubber21-22-05.0	5		
		A19/0004-rubber21-22-25.0	25		



Quality	Finish	art.	L	glass t
Rubber	black	A19/0004-D-B-100	100	12-21,52

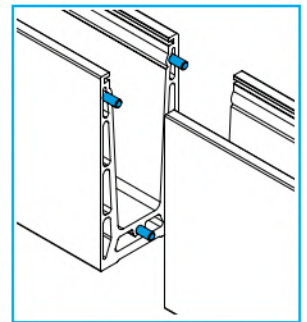
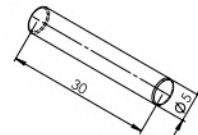
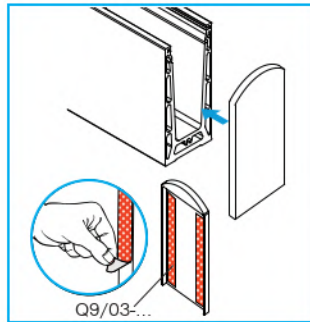


ANCHORS	AL/0004-ECO	MECHANICAL				CHEMICAL			
		5pcs/m	5pcs/m	5pcs/m	5pcs/m	5pcs/m	5pcs/m	1pcs/2,5m	
		<p>AL ANCHORS 34-35</p>							



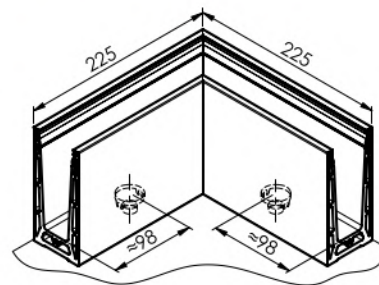
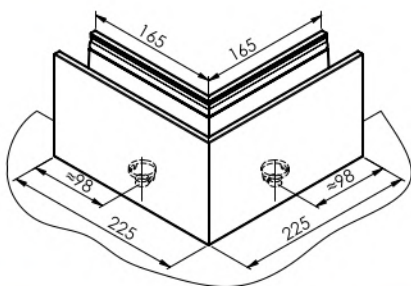
Material	Finish	Effect	art.	L	G/h	glass t	A/0004-PRO-Drain	±1,1°
ANODIZED ALUMINIUM	satin	silver	AL/0004-PRO-2500-S-E	2500	1kN	12,00-17,52	✓	±1,1°
			AL/0004-PRO-5000-S-E	5000				

new



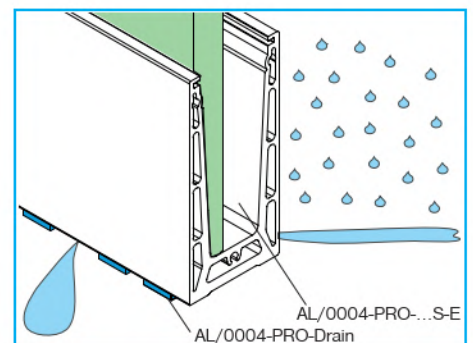
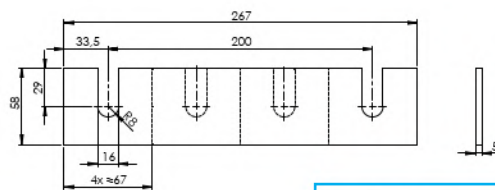
Material	Finish	Effect	art.
ANODIZED ALUMINIUM	satin	silver	AL/0034-004-PRO-S-E

Material	Finish	Effect	art.
AISI304	satin		A/0005-pin



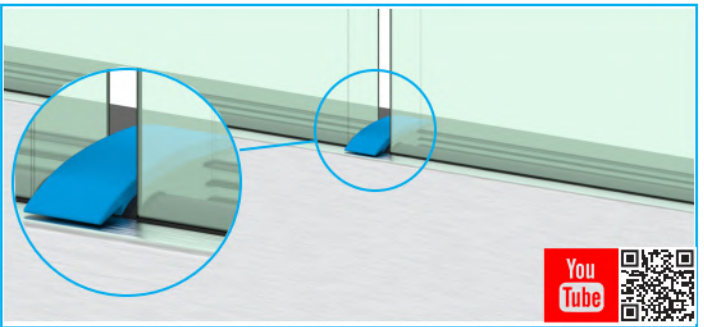
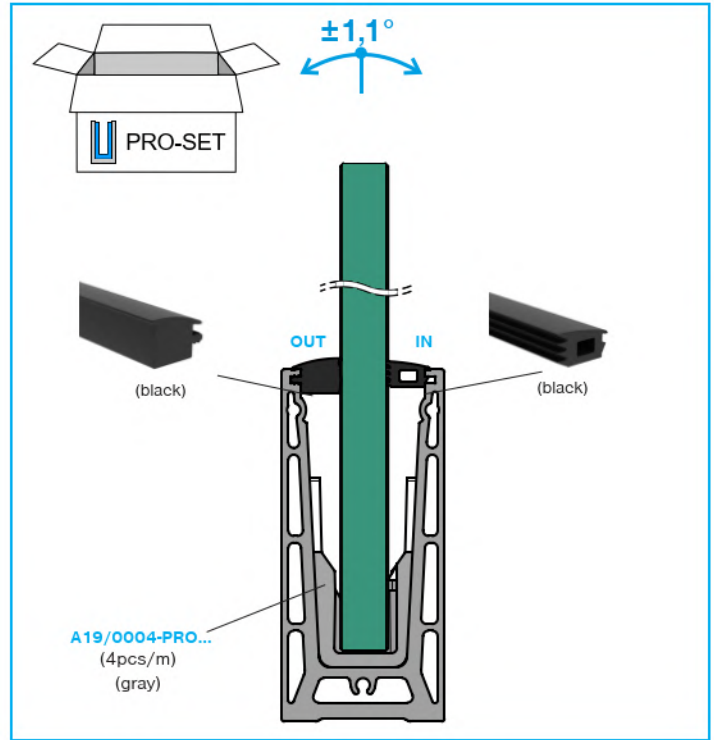
Material	Finish	Effect	art.
ANODIZED ALUMINIUM	satin	silver	AL/0004-PRO-S-E-90-IN

Material	Finish	Effect	art.
ANODIZED ALUMINIUM	satin	silver	AL/0004-PRO-S-E-90-OUT



Material	Finish	art.	compatibility	Pcs/m
AISI304	satin	A/0004-PRO-Drain	AL/0004-PRO-...-S-E	2

Glass t (mm)	L (m)	art.
12,00	2,5	A19/0004-PRO-12-13-02.5
12,76	5	A19/0004-PRO-12-13-05.0
16,76	2,5	A19/0004-PRO-16-17-02.5
17,52	5	A19/0004-PRO-16-17-05.0



Quality	Finish	art.	L	glass t
Rubber	black	A19/0004-D-B-100	100	12-21,52

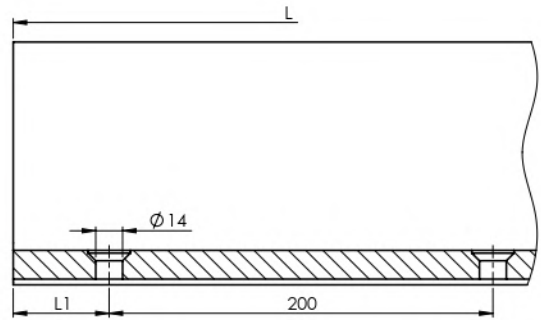
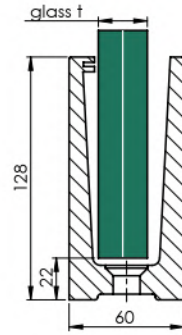
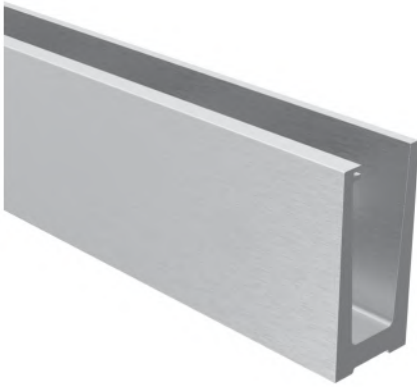


art.	total length	ext. square
Q8/70-275-PRO	275mm	1/4"

art.
AL/glass-mont-PRO

AL/0004-PRO				
	ANCHORS			
CHEMICAL	5pcs/m	5pcs/m	5pcs/m	1pcs/2,5m
MECHANICAL	5pcs/m	5pcs/m	5pcs/m	

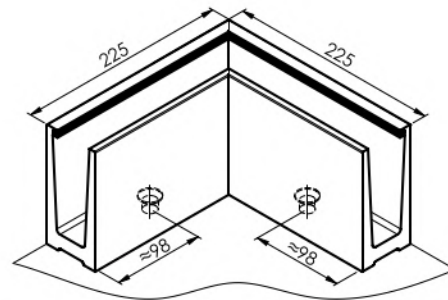
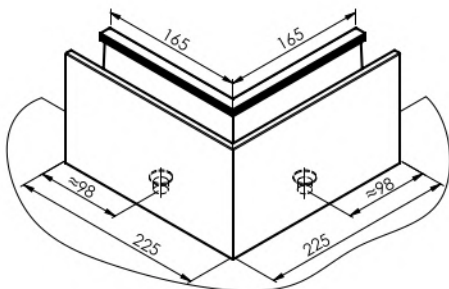
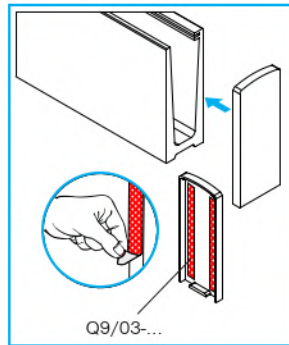
AL ANCHORS → 34-35



Material	Finish	Effect	art.	L	L1	G/h	glass t
ANODIZED ALUMINIUM	satin	silver	AL/0008-2500-S-E	2500	50	3kN	21,52-25,52
			AL/0008-5000-S-E	5000	100		



Material	Finish	Effect	art.
ANODIZED ALUMINIUM	satin	silver	AL/0038-004-S-E



Material	Finish	Effect	art.
ANODIZED ALUMINIUM	satin	silver	AL/0008-S-E-90-IN

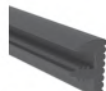
Material	Finish	Effect	art.
ANODIZED ALUMINIUM	satin	silver	AL/0008-S-E-90-OUT

MODEL 0008

Glass t (mm)	L (m)	art.
21,52 (1010.4)	2,5	A19/0004-012-02.5
	5	A19/0004-012-05.0
	25	A19/0004-012-25.0
25,52 (1212.4)	2,5	A19/0004-017-02.5
	5	A19/0004-017-05.0
	25	A19/0004-017-25.0

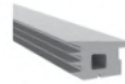
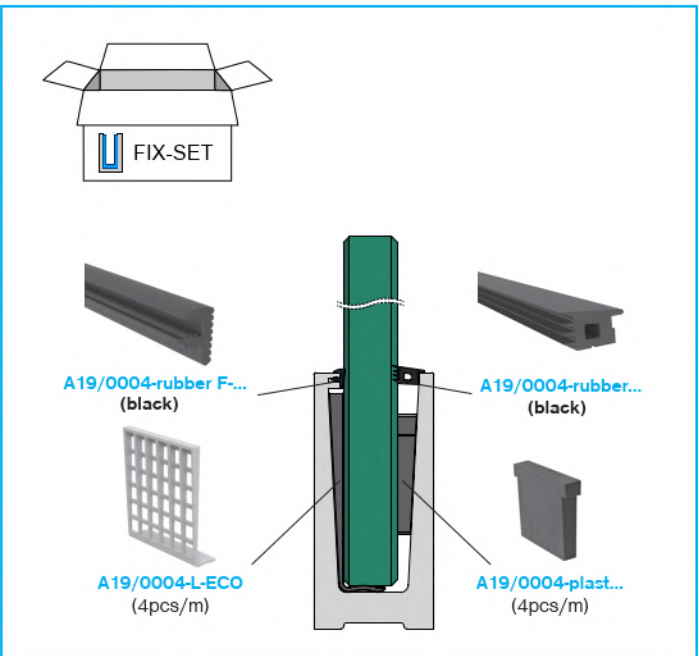


PVC-P - interior



EPDM - exterior

Quality	Finish	art.	L(m)	glass t
Rubber	gray (interier)	A19/0004-F-G-02.5	2,5	12-21,52
		A19/0004-F-G-05.0	5	
		A19/0004-F-G-25.0	25	
	black (exterier)	A19/0004-F-B-02.5	2,5	
		A19/0004-F-B-05.0	5	
		A19/0004-F-B-25.0	25	



PVC-P - interior

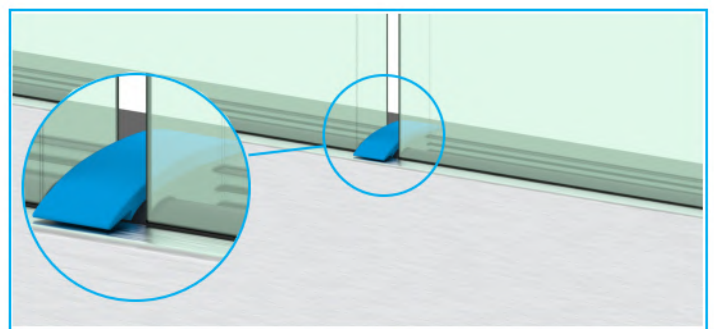


EPDM - exterior

Quality	Finish	art.	L(m)	glass t	
Rubber	gray (interier)	A19/0004-17-18-G-02.5	2,5	16,76-17,52	
		A19/0004-17-18-G-05.0	5		
		A19/0004-17-18-G-25.0	25		
		A19/0004-rubber12-13-02.5	2,5		
	black (exterier)	A19/0004-rubber12-13-05.0	5	12,76-13,52	
		A19/0004-rubber12-13-25.0	25		
		A19/0004-rubber17-18-02.5	2,5		
		A19/0004-rubber17-18-05.0	5		16,76-17,52
		A19/0004-rubber17-18-25.0	25		
		A19/0004-rubber21-22-02.5	2,5		
		A19/0004-rubber21-22-05.0	5		
		A19/0004-rubber21-22-25.0	25		



Quality	Finish	art.	L	glass t
Rubber	black	A19/0004-D-B-100	100	12-21,52



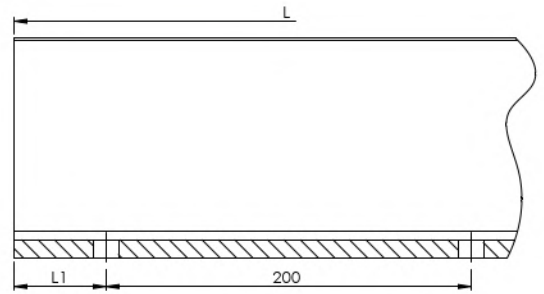
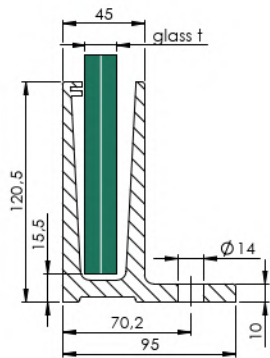
3kN AL/0008			
		AL ANCHORS	34-35
ANCHORS	CHEMICAL	5pcs/m	1pcs/2,5m



MODEL 0006

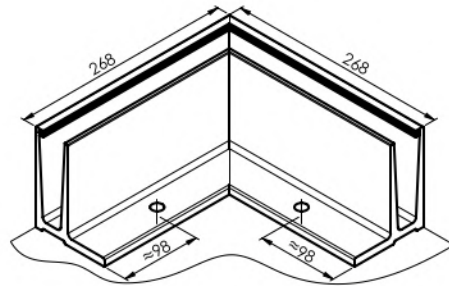
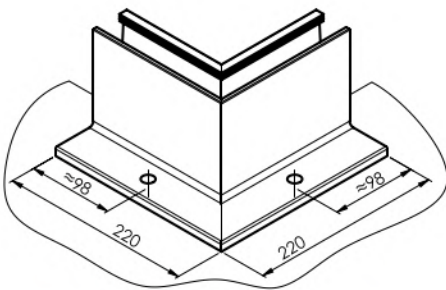


STATIC STUDIO



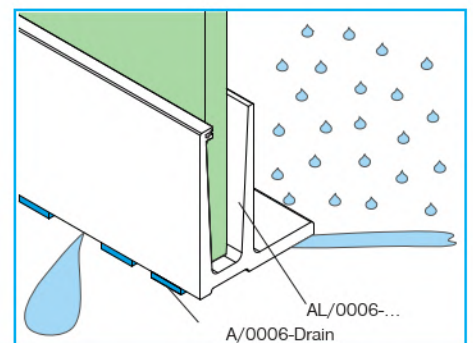
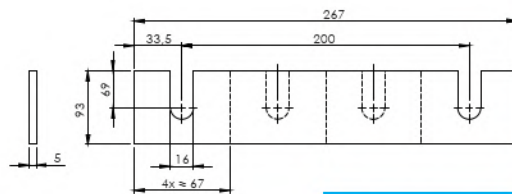
Material	Finish	Effect	art.	L	L1	G/h	glass t	A/0006-Drain
ANODIZED ALUMINIUM	satin	silver	AL/0006-1250-S-E	1250				
			AL/0006-2500-S-E	2500	50			
			AL/0006-5000-S-E	5000	100	1kN	12,00-21,52	✓
			AL/0006-6000-S-E	6000				

top

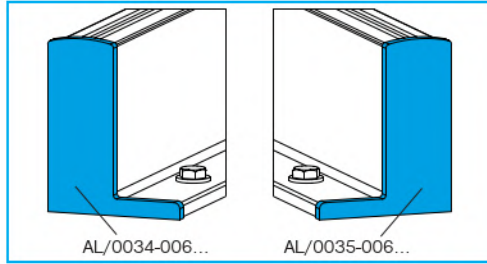


Material	Finish	Effect	art.
ANODIZED ALUMINIUM	satin	silver	AL/0006-S-E-90-IN

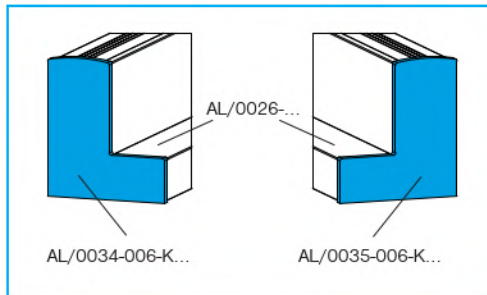
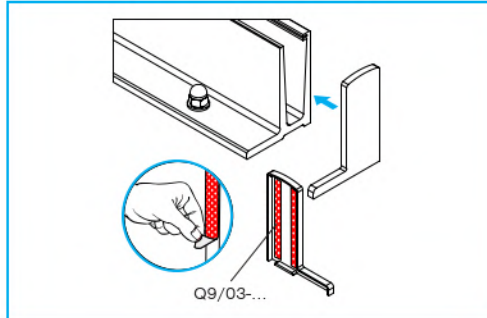
Material	Finish	Effect	art.
ANODIZED ALUMINIUM	satin	silver	AL/0006-S-E-90-OUT



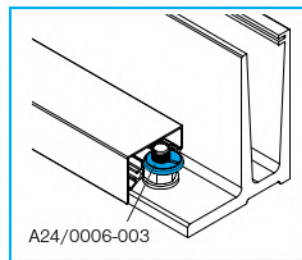
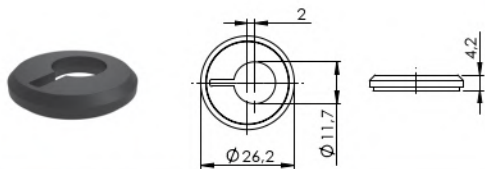
Material	Finish	art.	compatibility	Pcs/m
AISI304	natural	A/0006-Drain	AL/0006-...-S-E	2,5



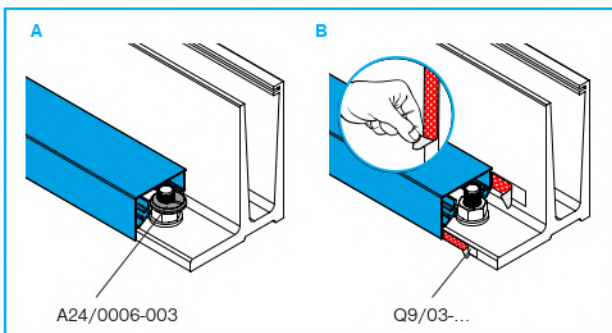
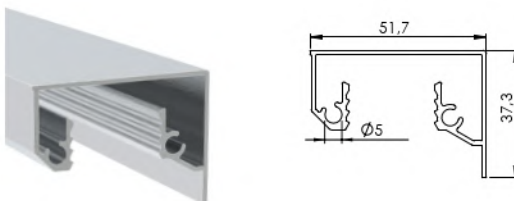
Material	Finish	Effect	art.
ANODIZED ALUMINIUM	satin	silver	AL/0034-006-S-E
			AL/0035-006-S-E



Material	Finish	Effect	art.
ANODIZED ALUMINIUM	satin	silver	AL/0034-006-K-S-E
			AL/0035-006-K-S-E



Quality	Finish	art.
PVC	black	A24/0006-003

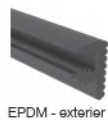
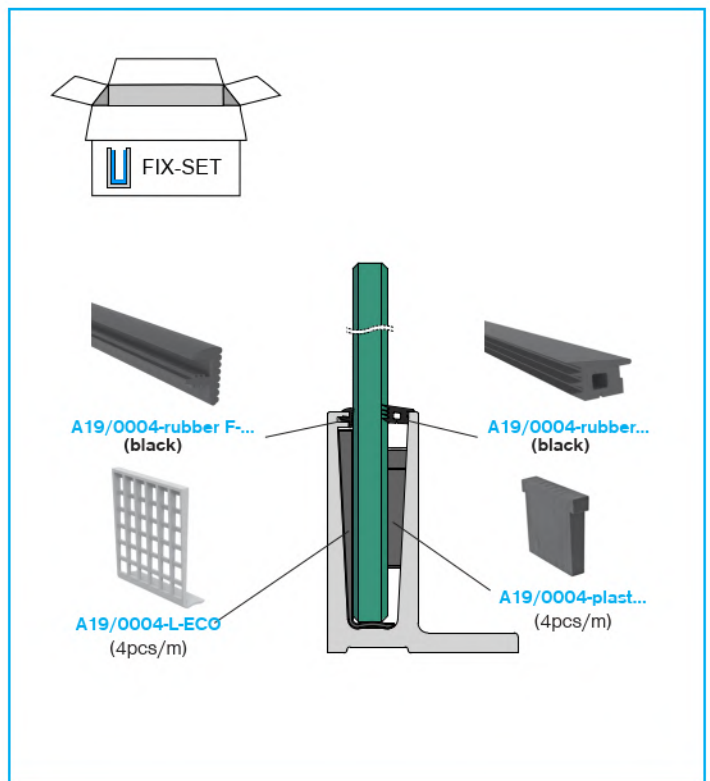


Material	Finish	Effect	art.	L
ANODIZED ALUMINIUM	satin	silver	AL/0026-2500-S-E	2500
			AL/0026-5000-S-E	5000
			AL/0026-6000-S-E	6000

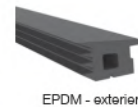


MODEL 0006

Glass t (mm)	L (m)	art.
12 (12)	2,5	A19/0004-012-02.5
	5	A19/0004-012-05.0
	25	A19/0004-012-25.0
12,76 (66.2)	2,5	A19/0004-013-02.5
	5	A19/0004-013-05.0
	25	A19/0004-013-25.0
16,76 (88.2)	2,5	A19/0004-017-02.5
	5	A19/0004-017-05.0
	25	A19/0004-017-25.0
17,52 (88.4)	2,5	A19/0004-018-02.5
	5	A19/0004-018-05.0
	25	A19/0004-018-25.0
20,76 (1010.2)	2,5	A19/0004-021-02.5
	5	A19/0004-021-05.0
	25	A19/0004-021-25.0
21,52 (1010.4)	2,5	A19/0004-022-02.5
	5	A19/0004-022-05.0
	25	A19/0004-022-25.0



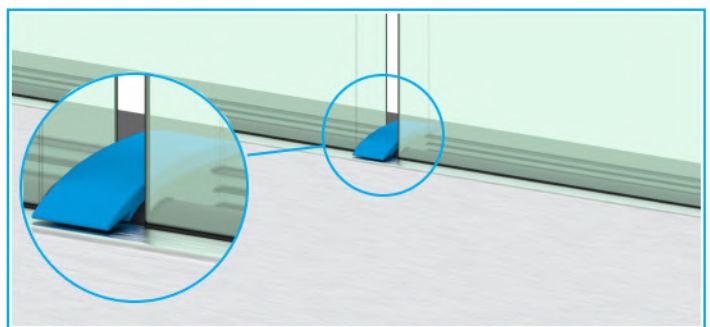
Quality	Finish	art.	L(m)	glass t
Rubber	gray (interier)	A19/0004-F-G-02.5	2,5	12-21,52
		A19/0004-F-G-05.0	5	
		A19/0004-F-G-25.0	25	
	black (exterier)	A19/0004-F-B-02.5	2,5	
		A19/0004-F-B-05.0	5	
		A19/0004-F-B-25.0	25	



Quality	Finish	art.	L(m)	glass t
Rubber	gray (interier)	A19/0004-17-18-G-02.5	2,5	16,76-17,52
		A19/0004-17-18-G-05.0	5	
		A19/0004-17-18-G-25.0	25	
	black (exterier)	A19/0004-rubber12-13-02.5	2,5	12,76-13,52
		A19/0004-rubber12-13-05.0	5	
		A19/0004-rubber12-13-25.0	25	
		A19/0004-rubber17-18-02.5	2,5	
		A19/0004-rubber17-18-05.0	5	
		A19/0004-rubber17-18-25.0	25	
		A19/0004-rubber21-22-02.5	2,5	
	A19/0004-rubber21-22-05.0	5	20,76-21,52	
	A19/0004-rubber21-22-25.0	25		



Quality	Finish	art.	L	glass t
Rubber	black	A19/0004-D-B-100	100	12-21,52

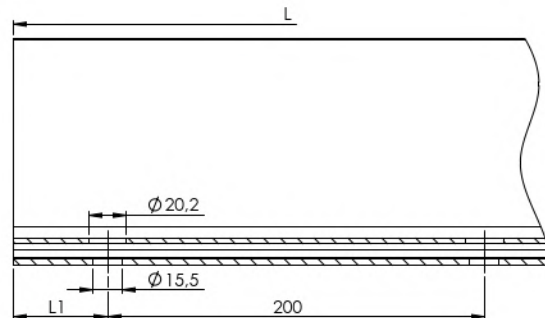
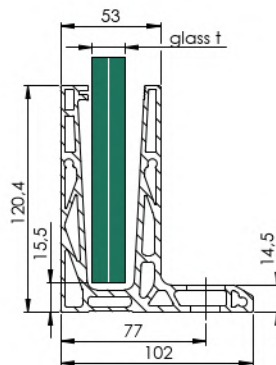
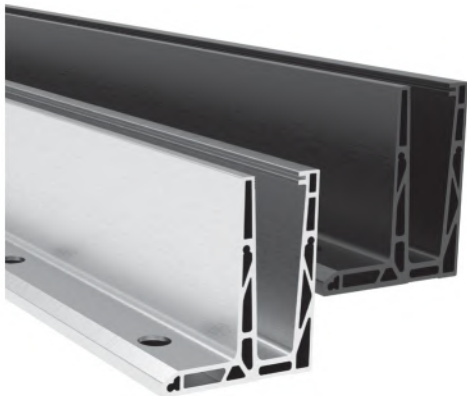



AL/0006 ¹		 	 	 + 			
	AL/0026-...	A24/0006-003	AL ANCHORS   34-35				
ANCHORS	CHEMICAL	✓	2pcs/m	5pcs/m	5pcs/m	1pcs/m	1pcs/2,5m

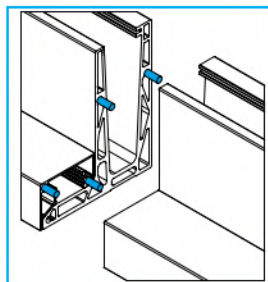
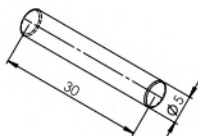
AL/0006 ²			 	 + 		
	AL ANCHORS   34-35					
ANCHORS	CHEMICAL		5pcs/m	5pcs/m	1pcs/m	1pcs/2,5m
ANCHORS	MECHANICAL	5pcs/m				
						



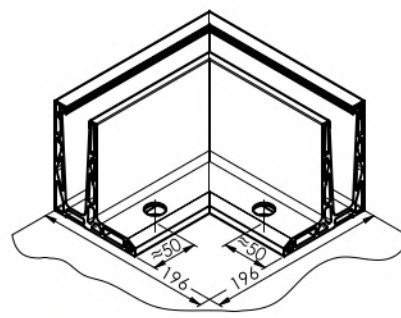
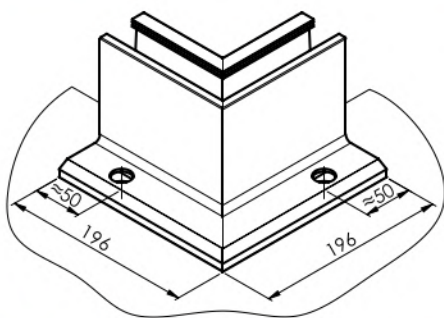
MODEL 0006-ECO



Material	Finish	Effect	art.	L	L1	G/h	glass t	 A/0006-ECO-Drain
ANODIZED ALUMINIUM	satin	silver	AL/0006-ECO-2500-S-E	2500	50			
			AL/0006-ECO-5000-S-E	5000	100			
		black	AL/0006-ECO-2500-S-EB	2500	50	1kN	12,00-21,52	✓
			AL/0006-ECO-5000-S-EB	5000	100			

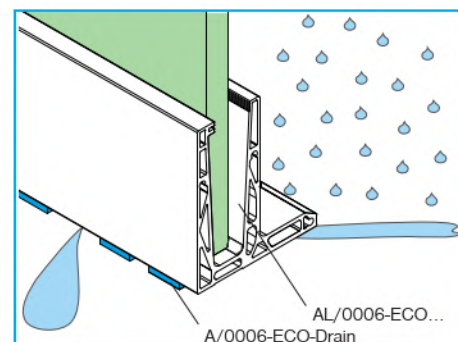
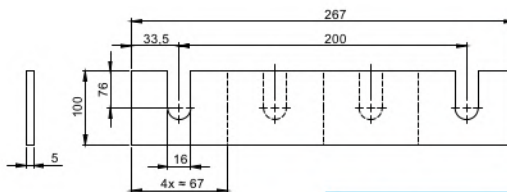


Material	Finish	art.
AISI304	satin	A/0005-pin



Material	Finish	Effect	art.
ANODIZED ALUMINIUM	satin	silver	AL/0006-ECO-S-E-90-IN
		black	AL/0006-ECO-S-EB-90-IN

Material	Finish	Effect	art.
ANODIZED ALUMINIUM	satin	silver	AL/0006-ECO-S-E-90-OUT
		black	AL/0006-ECO-S-EB-90-OUT



Material	Finish	art.	compatibility	Pcs/m
AISI304	natural	A/0006-ECO-Drain	AL/0006-ECO-...-S-E AL/0006-ECO-...-S-EB	2,5

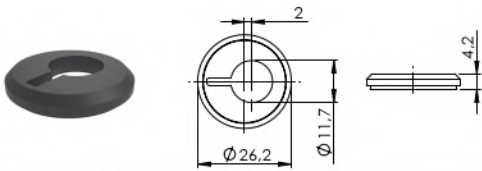
MODEL 0006-ECO



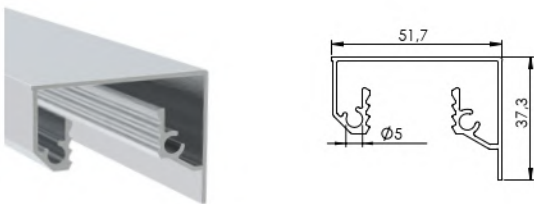
Material	Finish	Effect	art.
ANODIZED ALUMINIUM	satin	silver	AL/0034-006-ECO-S-E
			AL/0035-006-ECO-S-E
		black	AL/0034-006-ECO-S-EB
			AL/0035-006-ECO-S-EB
AISI304			A/0034-006-ECO
			A/0035-006-ECO



Material	Finish	Effect	art.
ANODIZED ALUMINIUM	satin	silver	AL/0034-006-ECO-K-S-E
			AL/0035-006-ECO-K-S-E
		black	AL/0034-006-ECO-K-S-EB
			AL/0035-006-ECO-K-S-EB
AISI304			A/0034-006-ECO-K
			A/0035-006-ECO-K



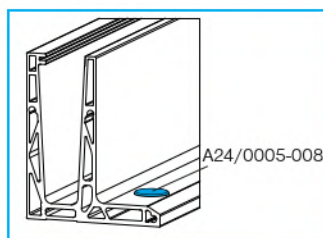
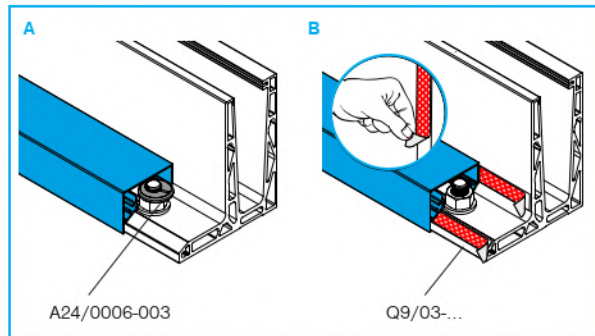
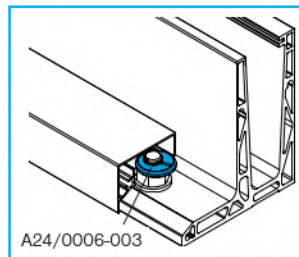
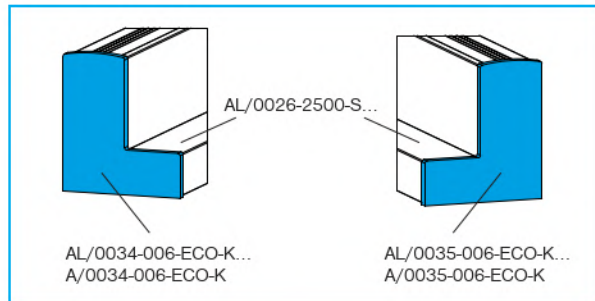
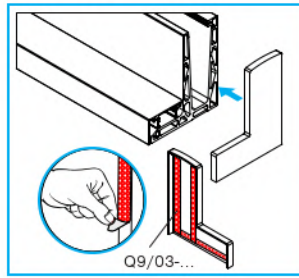
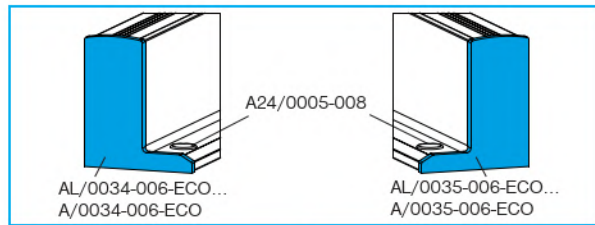
Quality	Finish	art.
PVC	black	A24/0006-003



Material	Finish	Effect	art.	L
ANODIZED ALUMINIUM	satin	silver	AL/0026-2500-S-E	2500
			AL/0026-5000-S-E	5000
			AL/0026-6000-S-E	6000
		black	AL/0026-2500-S-EB	2500
			AL/0026-5000-S-EB	5000

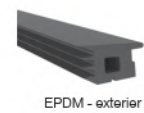
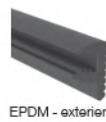
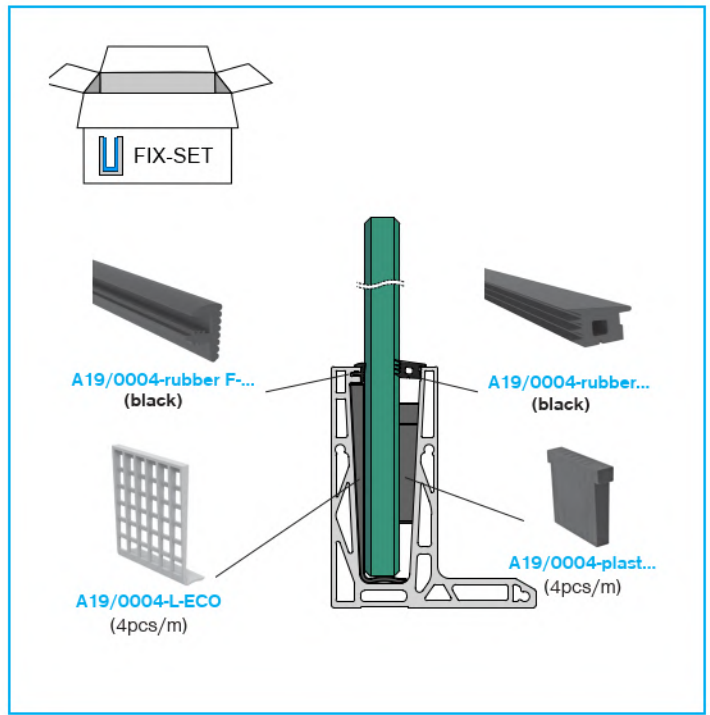


Quality	Finish	art.	D	d
PVC	gray	A24/0005-008	20	25



MODEL 0006-ECO

Glass t (mm)	L (m)	art.
12 (12)	2,5	A19/0004-012-02.5
	5	A19/0004-012-05.0
	25	A19/0004-012-25.0
12,76 (66.2)	2,5	A19/0004-013-02.5
	5	A19/0004-013-05.0
	25	A19/0004-013-25.0
16,76 (88.2)	2,5	A19/0004-017-02.5
	5	A19/0004-017-05.0
	25	A19/0004-017-25.0
17,52 (88.4)	2,5	A19/0004-018-02.5
	5	A19/0004-018-05.0
	25	A19/0004-018-25.0
20,76 (1010.2)	2,5	A19/0004-021-02.5
	5	A19/0004-021-05.0
	25	A19/0004-021-25.0
21,52 (1010.4)	2,5	A19/0004-022-02.5
	5	A19/0004-022-05.0
	25	A19/0004-022-25.0

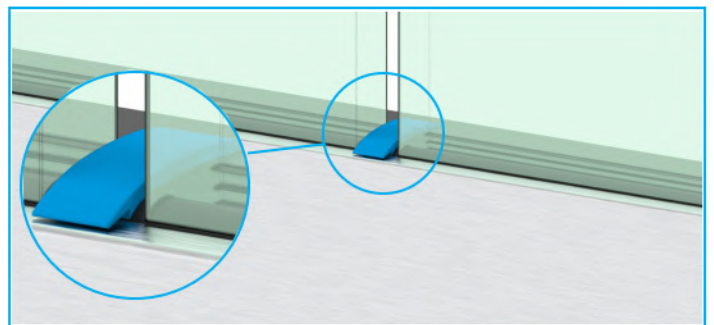


Quality	Finish	art.	L(m)	glass t
Rubber	gray (interier)	A19/0004-F-G-02.5	2,5	12-21,52
		A19/0004-F-G-05.0	5	
		A19/0004-F-G-25.0	25	
	black (exterier)	A19/0004-F-B-02.5	2,5	
		A19/0004-F-B-05.0	5	
		A19/0004-F-B-25.0	25	

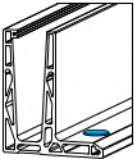



Quality	Finish	art.	L(m)	glass t	
Rubber	gray (interier)	A19/0004-17-18-G-02.5	2,5	16,76-17,52	
		A19/0004-17-18-G-05.0	5		
		A19/0004-17-18-G-25.0	25		
		A19/0004-rubber12-13-02.5	2,5		
		A19/0004-rubber12-13-05.0	5		
	black (exterier)	A19/0004-rubber12-13-25.0	25	12,76-13,52	
		A19/0004-rubber17-18-02.5	2,5		
		A19/0004-rubber17-18-05.0	5		
		A19/0004-rubber17-18-25.0	25		
		A19/0004-rubber21-22-02.5	2,5		
		A19/0004-rubber21-22-05.0	5		
		A19/0004-rubber21-22-25.0	25		
		A19/0004-rubber21-22-02.5	2,5		20,76-21,52
		A19/0004-rubber21-22-05.0	5		
		A19/0004-rubber21-22-25.0	25		

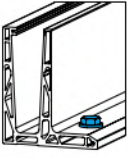











Quality	Finish	art.	L	glass t
Rubber	black	A19/0004-D-B-100	100	12-21,52



AL/0006-ECO ¹							+	
	AL/0026-...	A24/0006-003	AL ANCHORS   34-35					
ANCHORS	CHEMICAL	✓	2pcs/m	5pcs/m	5pcs/m	1pcs/m	1pcs/2,5m	

AL/0006-ECO ²							+	
	A24/0005-008	AL ANCHORS   34-35						
ANCHORS	CHEMICAL	5pcs/m	5pcs/m	5pcs/m	5pcs/m	1pcs/2,5m		
ANCHORS	MECHANICAL	5pcs/m	5pcs/m	5pcs/m				

AL/0006-ECO ³						+	
	AL ANCHORS   34-35						
ANCHORS	CHEMICAL		5pcs/m	5pcs/m	1pcs/m	1pcs/2,5m	
ANCHORS	MECHANICAL	5pcs/m					
							

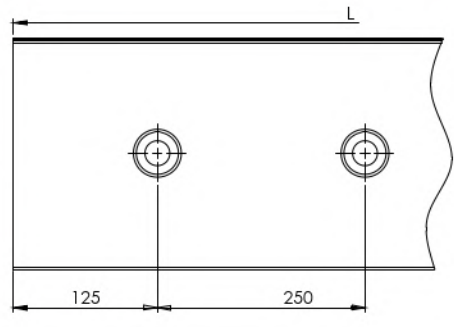
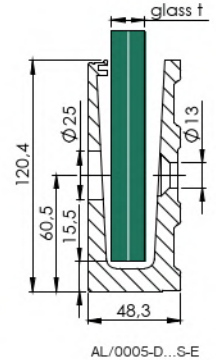
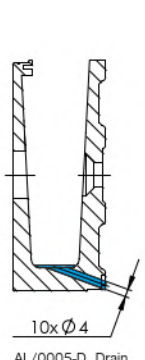


MODEL 0005-D



STATIC STUDIO

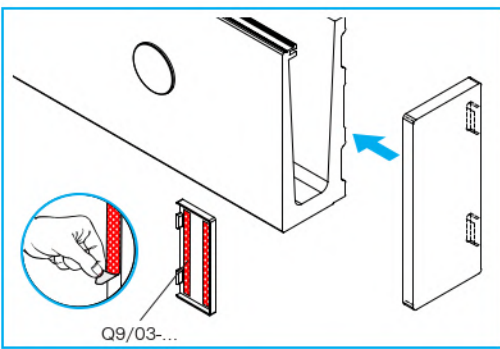
TESTED BY
RISE
SWEDEN



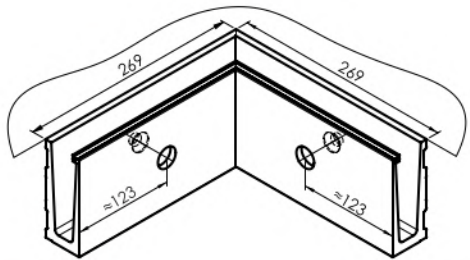
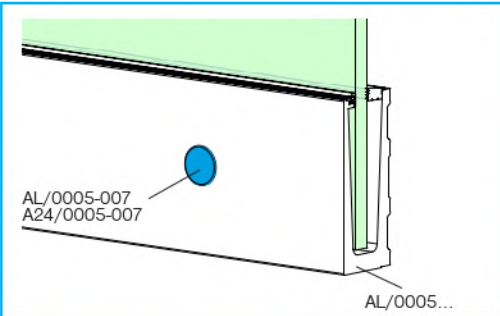
Material	Finish	Effect	art.	L	L1	G/h	glass t			
ANODIZED ALUMINIUM	satin	silver	AL/0005-D-1250-S-E	1250						
			AL/0005-D-2500-S-E	2500				✓		
			AL/0005-D-5000-S-E	5000						
		black	AL/0005-D-5000-S-E-Drain	5000	125	1kN	12,00 - 21,52			built in drain
			AL/0005-D-6000-S-E	6000						
			AL/0005-D-2500-S-EB	2500					✓	
AL/0005-D-5000-S-EB	5000									



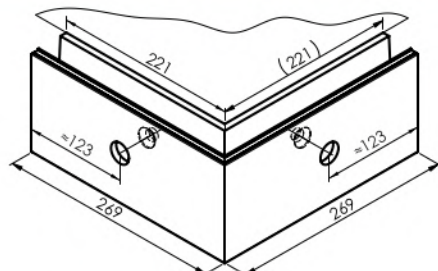
Material	Finish	Effect	art.
ANODIZED ALUMINIUM	satin	silver	AL/0034-005-D-S-E
		black	AL/0034-005-D-S-EB



Material	Finish	art.	D	d
ANODIZED ALUMINIUM	satin	AL/0005-007	25	30
PVC	gray	A24/0005-007		



Material	Finish	Effect	art.
ANODIZED ALUMINIUM	satin	silver	AL/0005-D-S-E-90-IN
		black	AL/0005-D-S-EB-90-IN



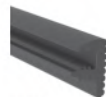
Material	Finish	Effect	art.
ANODIZED ALUMINIUM	satin	silver	AL/0005-D-S-E-90-OUT
		black	AL/0005-D-S-EB-90-OUT

MODEL 0005-D

Glass t (mm)	L (m)	art.
12 (12)	2,5	A19/0004-012-02.5
	5	A19/0004-012-05.0
	25	A19/0004-012-25.0
12,76 (66.2)	2,5	A19/0004-013-02.5
	5	A19/0004-013-05.0
	25	A19/0004-013-25.0
16,76 (88.2)	2,5	A19/0004-017-02.5
	5	A19/0004-017-05.0
	25	A19/0004-017-25.0
17,52 (88.4)	2,5	A19/0004-018-02.5
	5	A19/0004-018-05.0
	25	A19/0004-018-25.0
20,76 (1010.2)	2,5	A19/0004-021-02.5
	5	A19/0004-021-05.0
	25	A19/0004-021-25.0
21,52 (1010.4)	2,5	A19/0004-022-02.5
	5	A19/0004-022-05.0
	25	A19/0004-022-25.0

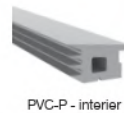
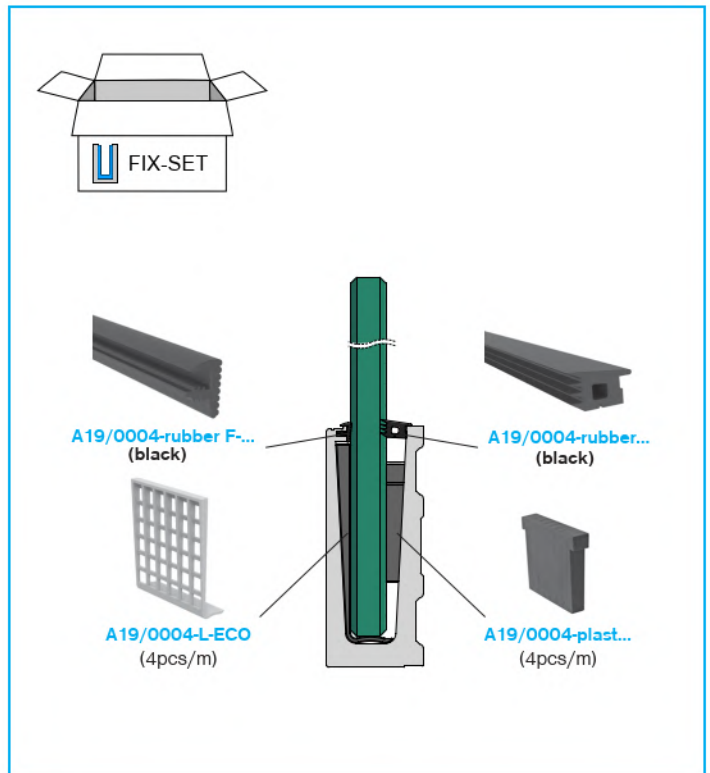


PVC-P - interior



EPDM - exterior

Quality	Finish	art.	L(m)	glass t
Rubber	gray (interior)	A19/0004-F-G-02.5	2,5	12-21,52
		A19/0004-F-G-05.0	5	
		A19/0004-F-G-25.0	25	
	black (exterior)	A19/0004-F-B-02.5	2,5	
		A19/0004-F-B-05.0	5	
		A19/0004-F-B-25.0	25	

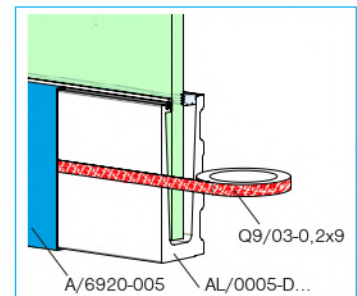
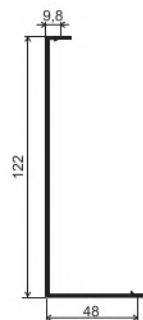
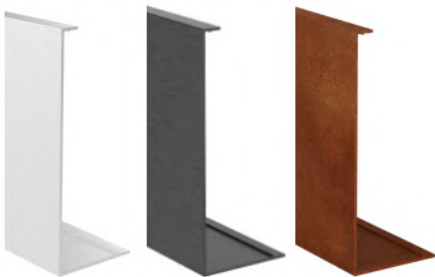


PVC-P - interior



EPDM - exterior

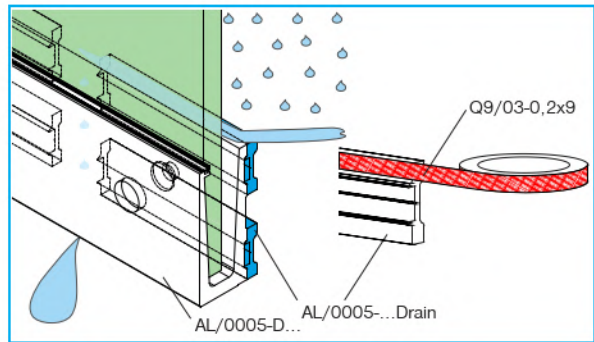
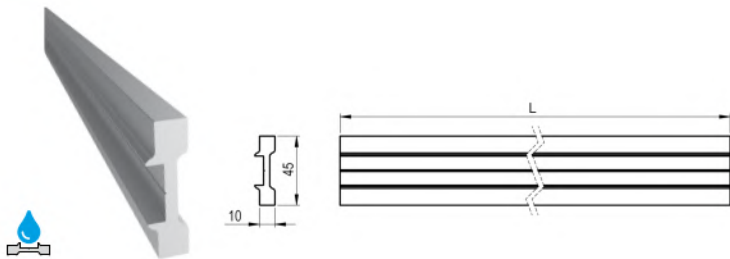
Quality	Finish	art.	L(m)	glass t
Rubber	gray (interior)	A19/0004-17-18-G-02.5	2,5	16,76-17,52
		A19/0004-17-18-G-05.0	5	
		A19/0004-17-18-G-25.0	25	
	black (exterior)	A19/0004-rubber12-13-02.5	2,5	12,76-13,52
		A19/0004-rubber12-13-05.0	5	
		A19/0004-rubber12-13-25.0	25	
		A19/0004-rubber17-18-02.5	2,5	
		A19/0004-rubber17-18-05.0	5	
		A19/0004-rubber17-18-25.0	25	
	black (exterior)	A19/0004-rubber21-22-02.5	2,5	20,76-21,52
		A19/0004-rubber21-22-05.0	5	
		A19/0004-rubber21-22-25.0	25	



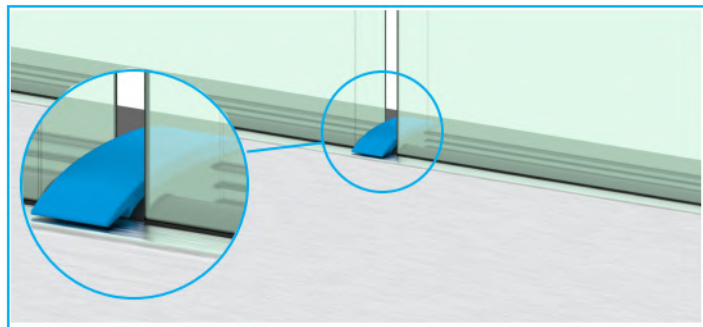
Material	Finish	Effect	art.	L	Q9/03...
ANODIZED ALUMINIUM	satin	silver	AL/0044-2500-S-E	2500	✓
			AL/0044-5000-S-E	5000	
		black	AL/0044-2500-S-EB	2500	
			AL/0044-5000-S-EB	5000	
CORTEN	raw		CA/0044-2500-CORTEN	2500	

new





Material	Finish	Effect	art.	compatibility	L
ANODIZED ALUMINIUM	satin	silver	AL/0005-S-E-1250-Drain	AL/0005-D-1250-S-E AL/0005-D-2500-S-E	1250
			AL/0005-S-E-2500-Drain	AL/0005-D-5000-S-E AL/0005-D-6000-S-E	2500
		black	AL/0005-S-EB-2500-Drain	AL/0005-D-2500-S-EB AL/0005-D-5000-S-EB	



Quality	Finish	art.	L	glass t
Rubber	black	A19/0004-D-B-100	100	12-21,52

AL/0005-D				+	
		AL ANCHORS → 34-35			
ANCHORS	CHEMICAL		5pcs/m		1pcs/2,5m
	MECHANICAL	5pcs/m			



Material	Finish	Effect
ANODIZED ALUMINIUM	natural	silver



Material	Finish	Effect
ANODIZED ALUMINIUM	natural	black



Material	Finish
CORTEN	raw



Material	Finish	Effect
ANODIZED ALUMINIUM	satin	silver



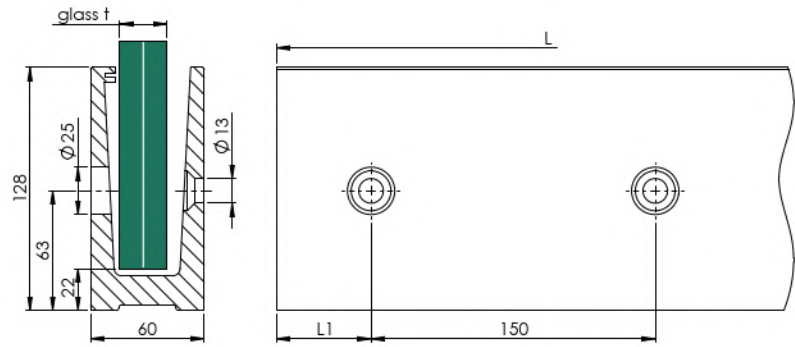
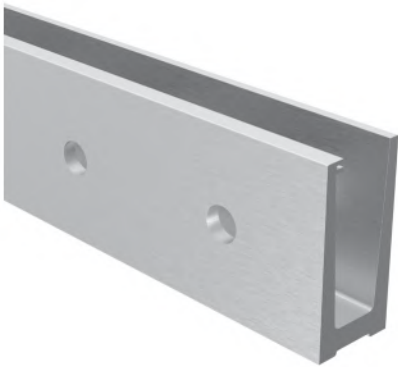
Material	Finish	Effect
ANODIZED ALUMINIUM	satin	black



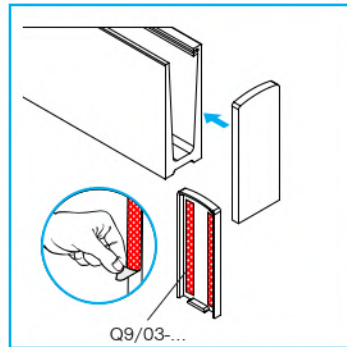
Material	Finish	Effect
ANODIZED ALUMINIUM	satin	INOX

STATIC TEST $F = \max 5kN$

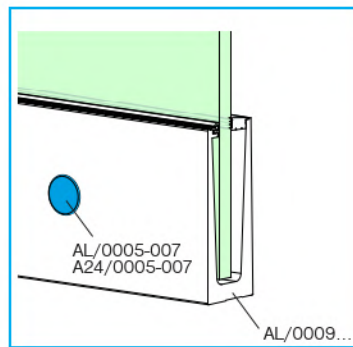
DYNAMIC TEST $G = 50kg$



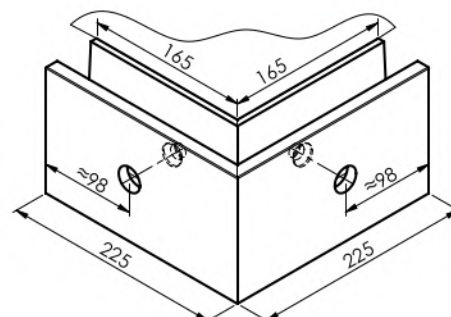
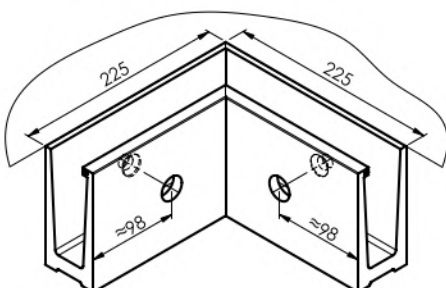
Material	Finish	Effect	art.	L	L1	G/h	glass t
ANODIZED ALUMINIUM	satin	silver	AL/0009-2500-S-E	2500	50	3kN	21,52-25,52
			AL/0009-5000-S-E	5000	100		



Material	Finish	Effect	art.
ANODIZED ALUMINIUM	satin	silver	AL/0038-004-S-E



Material	Finish	art.	D	d
ANODIZED ALUMINIUM	satin	AL/0005-007	25	30
PVC	gray	A24/0005-007		



Material	Finish	Effect	art.
ANODIZED ALUMINIUM	satin	silver	AL/0009-S-E-90-IN

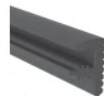
Material	Finish	Effect	art.
ANODIZED ALUMINIUM	satin	silver	AL/0009-S-E-90-OUT

MODEL 0009

Glass t (mm)	L (m)	art.
21,52 (1010.4)	2,5	A19/0004-012-02.5
	5	A19/0004-012-05.0
	25	A19/0004-012-25.0
25,52 (1212.4)	2,5	A19/0004-017-02.5
	5	A19/0004-017-05.0
	25	A19/0004-017-25.0



PVC-P - interior

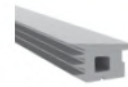
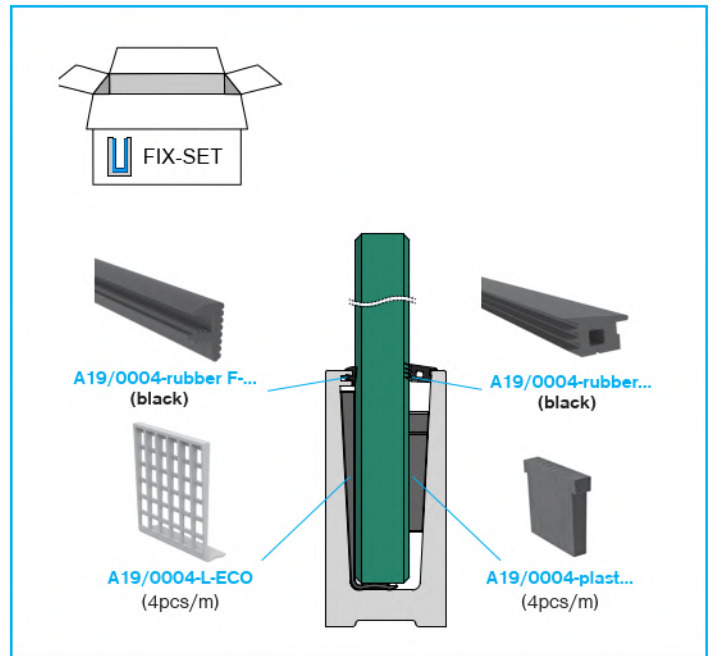


EPDM - exterior

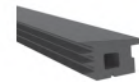
Quality	Finish	art.	L(m)	glass t
Rubber	gray (interier)	A19/0004-F-G-02.5	2,5	12-21,52
		A19/0004-F-G-05.0	5	
		A19/0004-F-G-25.0	25	
	black (exterier)	A19/0004-F-B-02.5	2,5	
		A19/0004-F-B-05.0	5	
		A19/0004-F-B-25.0	25	



Quality	Finish	art.	L	glass t
Rubber	black	A19/0004-D-B-100	100	12-21,52

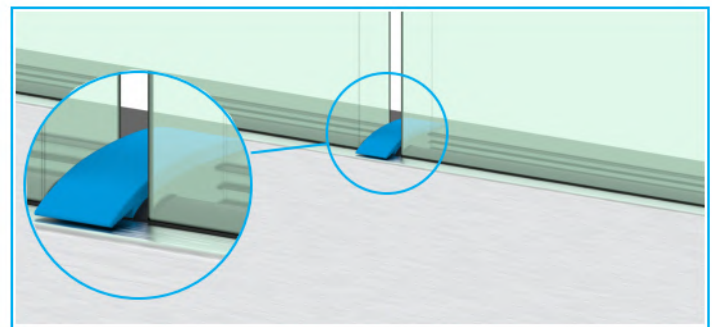


PVC-P - interior



EPDM - exterior

Quality	Finish	art.	L(m)	glass t
Rubber	gray (interier)	A19/0004-17-18-G-02.5	2,5	16,76-17,52
		A19/0004-17-18-G-05.0	5	
		A19/0004-17-18-G-25.0	25	
		A19/0004-rubber 12-13-02.5	2,5	
	black (exterier)	A19/0004-rubber 12-13-05.0	5	
		A19/0004-rubber 12-13-25.0	25	
		A19/0004-rubber 17-18-02.5	2,5	
		A19/0004-rubber 17-18-05.0	5	
		A19/0004-rubber 17-18-25.0	25	
		A19/0004-rubber 21-22-02.5	2,5	
		A19/0004-rubber 21-22-05.0	5	
		A19/0004-rubber 21-22-25.0	25	
		A19/0004-rubber 21-22-05.0	5	
		A19/0004-rubber 21-22-25.0	25	



ANCHORS

3kM

AL/0009

+

AL ANCHORS

➡

📄

34-35

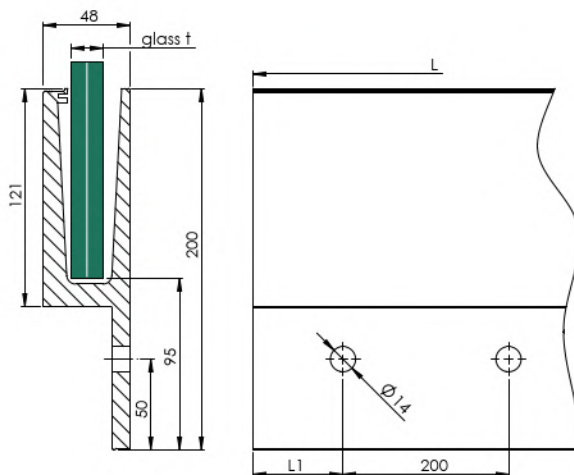
	7 pcs/m	1pcs/2m
CHEMICAL		



MODEL 0011

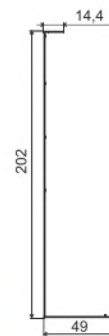
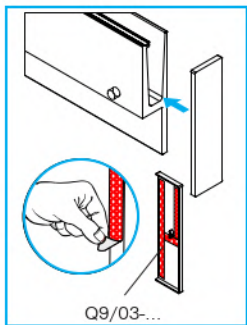


STATIC STUDIO



Material	Finish	Effect	art.	L	L1	G/h	glass t
ANODIZED ALUMINIUM	natural	silver	AL/0011-1250-N-E	1250		1kN	12-21,52
			AL/0011-2500-N-E	2500	50		
			AL/0011-5000-N-E	5000	100		
		black	AL/0011-2500-N-EB	2500	50		
			AL/0011-5000-N-EB	5000	100		

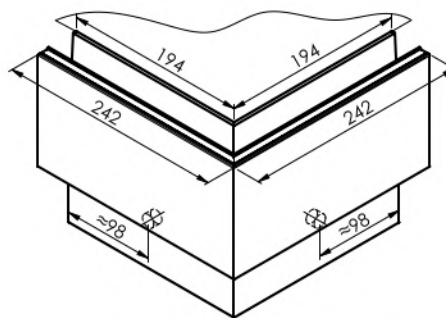
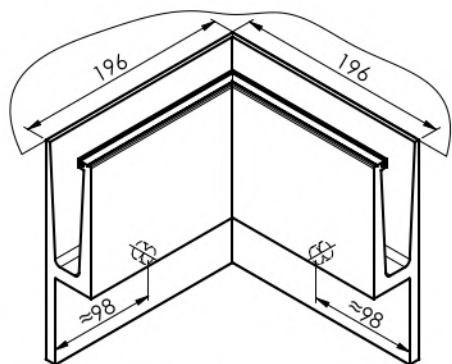
top



Material	Finish	Effect	art.
ANODIZED ALUMINIUM	satin	silver	AL/0034-011-S-E
		black	AL/0034-011-S-EB

Material	Finish	Effect	art.	L
ANODIZED ALUMINIUM	satin	silver	AL/0045-2500-S-E	2500
			AL/0045-5000-S-E	5000
		black	AL/0045-2500-S-EB	2500
			AL/0045-5000-S-EB	5000
CORTEN	raw		CA/0045-2500-CORTEN	2500

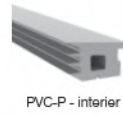
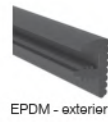
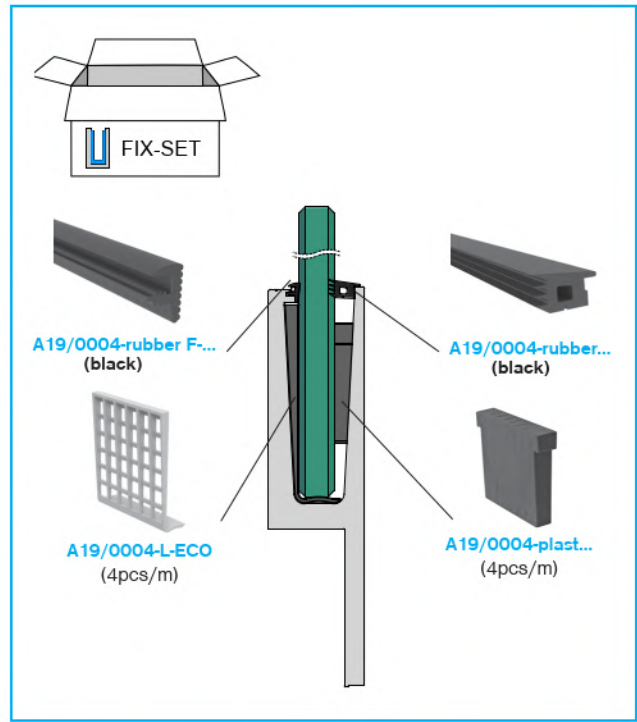
new



Material	Finish	Effect	art.
ANODIZED ALUMINIUM	satin	silver	AL/0011-N-E-90-IN
	natural	black	AL/0011-N-EB-90-IN

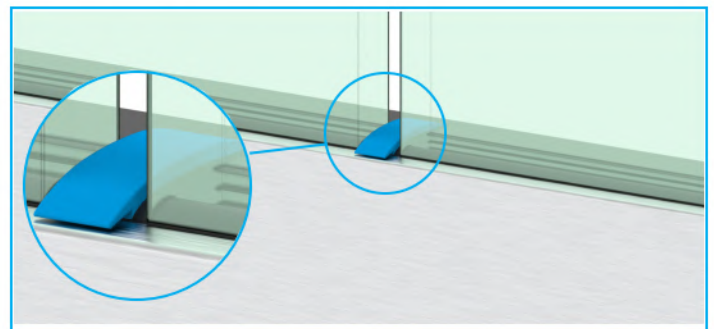
Material	Finish	Effect	art.
ANODIZED ALUMINIUM	satin	silver	AL/0011-N-E-90-OUT
	natural	black	AL/0011-N-EB-90-OUT

Glass t (mm)	L (m)	art.
12 (12)	2,5	A19/0004-012-02.5
	5	A19/0004-012-05.0
	25	A19/0004-012-25.0
12,76 (66.2)	2,5	A19/0004-013-02.5
	5	A19/0004-013-05.0
	25	A19/0004-013-25.0
16,76 (88.2)	2,5	A19/0004-017-02.5
	5	A19/0004-017-05.0
	25	A19/0004-017-25.0
17,52 (88.4)	2,5	A19/0004-018-02.5
	5	A19/0004-018-05.0
	25	A19/0004-018-25.0
20,76 (1010.2)	2,5	A19/0004-021-02.5
	5	A19/0004-021-05.0
	25	A19/0004-021-25.0
21,52 (1010.4)	2,5	A19/0004-022-02.5
	5	A19/0004-022-05.0
	25	A19/0004-022-25.0



Quality	Finish	art.	L(m)	glass t
Rubber	gray (interier)	A19/0004-F-G-02.5	2,5	12-21,52
		A19/0004-F-G-05.0	5	
		A19/0004-F-G-25.0	25	
	black (exterier)	A19/0004-F-B-02.5	2,5	
		A19/0004-F-B-05.0	5	
		A19/0004-F-B-25.0	25	

Quality	Finish	art.	L(m)	glass t	
Rubber	gray (interier)	A19/0004-17-18-G-02.5	2,5	16,76-17,52	
		A19/0004-17-18-G-05.0	5		
		A19/0004-17-18-G-25.0	25		
		A19/0004-rubber12-13-02.5	2,5		
	black (exterier)	A19/0004-rubber12-13-05.0	5		12,76-13,52
		A19/0004-rubber12-13-25.0	25		
		A19/0004-rubber17-18-02.5	2,5		
		A19/0004-rubber17-18-05.0	5		16,76-17,52
		A19/0004-rubber17-18-25.0	25		
		A19/0004-rubber21-22-02.5	2,5		
		A19/0004-rubber21-22-05.0	5		20,76-21,52
		A19/0004-rubber21-22-25.0	25		















Quality	Finish	art.	L	glass t
Rubber	black	A19/0004-D-B-100	100	12-21,52

AL/0011	ANCHORS	AL ANCHORS			
		CHEMICAL	MECHANICAL		
		5pcs/m	5pcs/m	5pcs/m	1pcs/m
					1pcs/2,5m

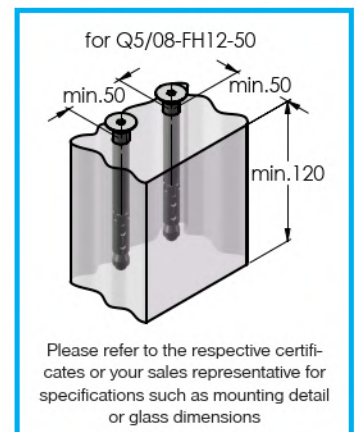
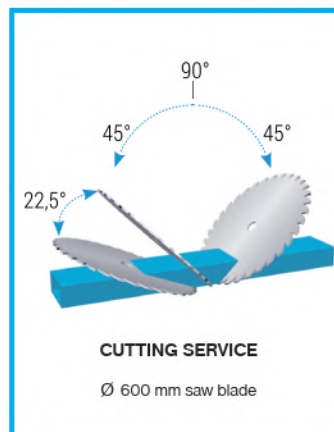


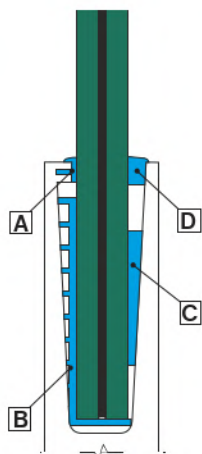
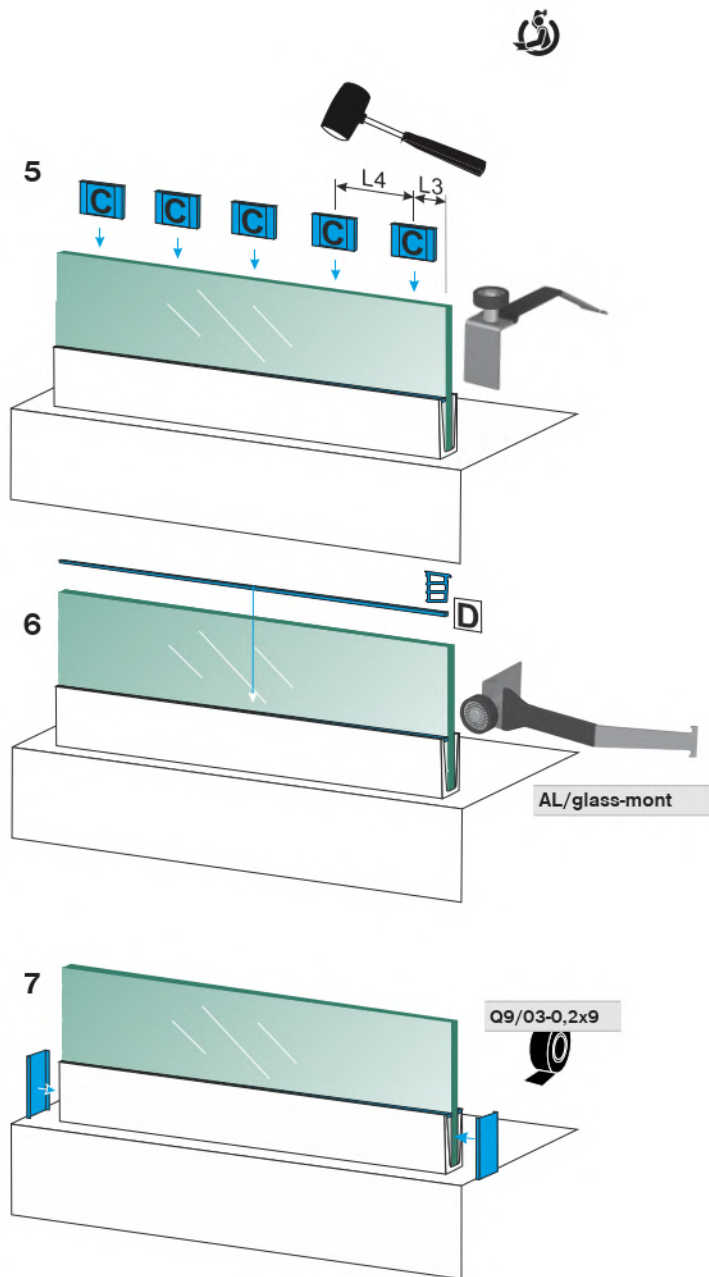
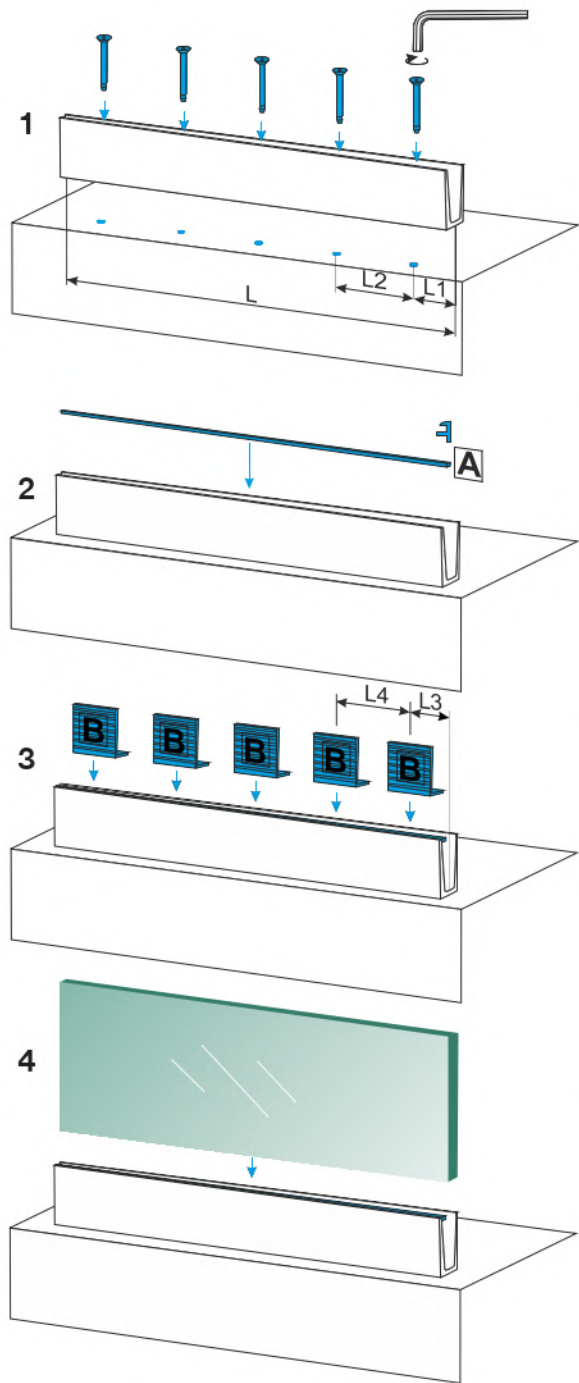
AL ANCHORS

															
		NON-CERTIFIED ANCHORS			FASTENERS			 CERTIFIED ANCHORS - ETA option 1*							
AL/0004		IN	A5/08-105x11xM8	Q5/01TK-300					W-DIN 7991 M8x20-P		Q5/08-VHIG-M8-100/S...	Q5/01-WIT-UH300...			
		OUT	A5/08-105x11xM8	Q5/01TK-300					W-DIN 7991-A4 M8x20-P		A5/08-VHIG-M8-100/A4...	Q5/01-WIT-UH300...		Q5/08-FH12-50*	A14/08-FH12-50*
AL/0004-ECO		IN	A19/27-M10	Q5/01TK-300					DIN 7380 M10x20 8.8-Zn		DIN 125 10-Zn	Q5/08-VHIG-M10-80/S...	Q5/01-WIT-UH300...		Q5/08-HAZ-M8-85S/S...*
		OUT	A19/27-M10	Q5/01TK-300					A-DIN 7380-A2 M10x20 A4-DIN 7380 M10x20		A-DIN 125-A2 M10	A5/08-VHIG-M10-80/A4...	Q5/01-WIT-UH300...		A5/08-HAZ-M8-85S/A4...*
AL/0004-PRO		IN	A19/27-M10	Q5/01TK-300					DIN 7380 M10x20 8.8-Zn		DIN 125 10-Zn	Q5/08-VHIG-M10-80/S...	Q5/01-WIT-UH300...		Q5/08-HAZ-M8-85S/S...
		OUT	A19/27-M10	Q5/01TK-300					A-DIN 7380-A2 M10x20 A4-DIN 7380 M10x20		A-DIN 125-A2 M10	A5/08-VHIG-M10-80/A4...	Q5/01-WIT-UH300...		A5/08-HAZ-M8-85S/A4...*
AL/0008		IN	A5/08-105x11xM8	Q5/01TK-300					DIN 7991 M12x30 8.8-Zn			Q5/08-VHIG-M12-125/S...	Q5/01-WIT-UH300...		
		OUT	A5/08-105x11xM8	Q5/01TK-300					A4-DIN 7991 M12x30			A5/08-VHIG-M12-125/A4...	Q5/01-WIT-UH300...		
AL/0006 ¹		IN	A-DIN 975 M12	Q5/01TK-300								Q5/08-VM 250-M12-135...	Q5/01-WIT-VM 250...		
		OUT	A-DIN 975 M12	Q5/01TK-300						A-DIN 934 M12	A-DIN 125-A2 M12		A5/08-VM 250-M12-135-A4...	Q5/01-WIT-VM 250...	
AL/0006 ²		IN	A-DIN 975 M12	Q5/01TK-300											Q5/08-HAZ-M8-85S/S...
		OUT	A-DIN 975 M12	Q5/01TK-300						A-DIN 1587-A2 M12	A-DIN 125-A2 M12				
AL/0006-ECO ¹		IN	A-DIN 975 M12	Q5/01TK-300								Q5/08-VM 250-M12-135...	Q5/01-WIT-VM 250...		
		OUT	A-DIN 975 M12	Q5/01TK-300						A-DIN 934 M12	A-DIN 125-A2 M12		A5/08-VM 250-M12-135-A4...	Q5/01-WIT-VM 250...	
AL/0006-ECO ²		IN	A19/27-M10	Q5/01TK-300					DIN 7380 M10x20 8.8-Zn		DIN 125 10-Zn	Q5/08-VHIG-M10-80/S...	Q5/01-WIT-UH300...		Q5/08-HAZ-M8-85S/S...
		OUT	A19/27-M10	Q5/01TK-300					A-DIN 7380-A2 M10x20 A4-DIN 7380 M10x20		A-DIN 125-A2 M10	A5/08-VHIG-M10-80/A4...	Q5/01-WIT-UH300...		A5/08-HAZ-M8-85S/A4...

AL ANCHORS		NON-CERTIFIED ANCHORS			FASTENERS			CERTIFIED ANCHORS - ETA option 1*		
AL/0006-ECO ³	IN	A-DIN 975 M12	Q5/01TK-300		DIN 933 M10x30 8.8-Zn		DIN 9021 10-Zn	Q5/08-VHG- M10-80/S...	Q5/01-WIT- UH300...	Q5/08-HAZ- M10-106S/S...
		A-DIN 975 M12	Q5/01TK-300		A4-DIN 833 M10x30	A-DIN 1587-A2 M12	A-DIN 125-A2 M12	A5/08-VI-IG- M10-80/A4...	Q5/01-WIT- UH300...	A5/08-HAZ- M10-106S/A4...
AL/0005-D	IN	A5/08- -105x11xM8	Q5/01TK-300		W-DIN 7991 M8x20-P			Q5/08-VHG- M8-100/S...	Q5/01-WIT- UH300...	Q5/08-FH12-50
		A5/08- -105x11xM8	Q5/01TK-300		W-DIN 7991-A4 M8x20-P			A5/08-VI-IG- M8-100/A4...	Q5/01-WIT- UH300...	Q5/08-HAZ- M8-80SK/S...
AL/0009	IN	A5/08- -105x11xM8	Q5/01TK-300		DIN 7991 M12x30 8.8-Zn			Q5/08-VI-IG- M12-125/S...	Q5/01-WIT- UH300...	
		A5/08- -105x11xM8	Q5/01TK-300		A4-DIN 7991 M12x30			A5/08-VI-IG- M12-125/A4...	Q5/01-WIT- UH300...	A14/08-FH12-50
AL/0011	IN	A-DIN 975 M12	Q5/01TK-300					Q5/08-VM 250- M12-135...	Q5/01-WIT- VM 250...	Q5/08-FBN12-30... ^{2*}
		A-DIN 975 M12	Q5/01TK-300			A-DIN 934 M12	A-DIN 125-A2 M12			Q5/08-HAZ- M8-85S/S...
AL/0011	OUT							A5/08-VM 250- M12-135-A4...	Q5/01-WIT- VM 250...	A-Q5/08- -FBN12-30... ^{2*}
										A5/08-HAZ- M8-85S/A4...

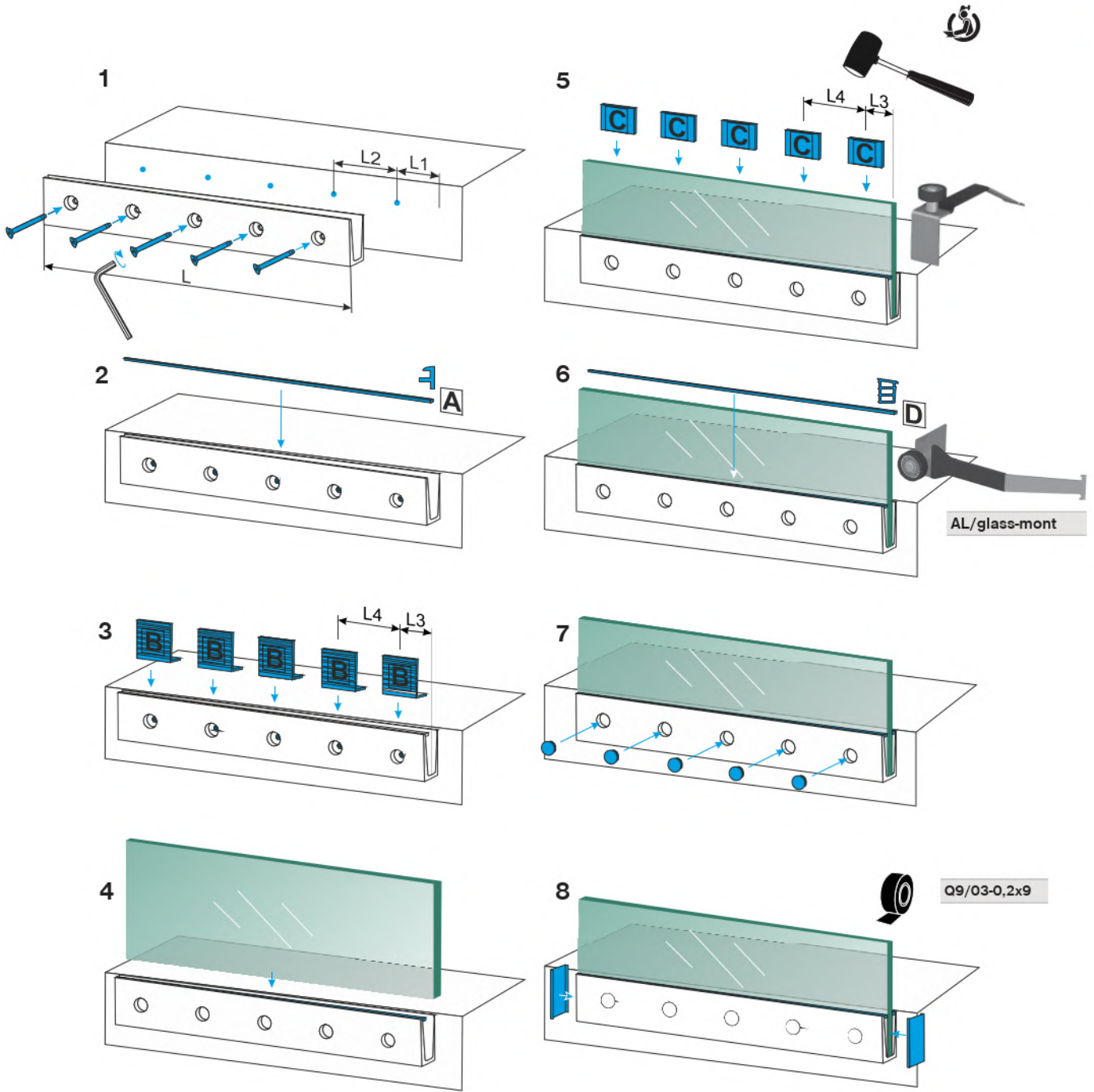
* certification "ETA option1" for cracked and uncracked concrete
^{2*} certification "ETA option7" for uncracked concrete only
^{3*} for load ≤ 0,7kN



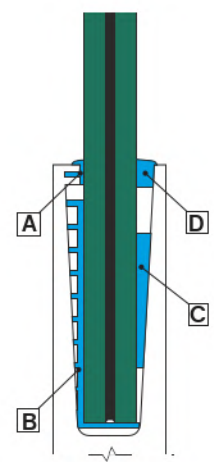


	L	L1	L2	L3	L4
AL/0004...	1250	25	W200	125	250
	2500	50			
	5000	100			
AL/0008...	2500	50	200	125	
	5000	100			
AL/0006...	1250	25	200	125	
	2500	50			
	5000	100			



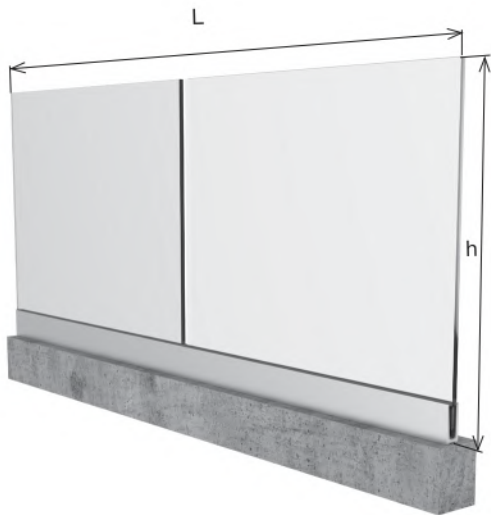


		L	L1	L2	L3	L4
AL/0005...	1250					
	2500			250	125	
	5000		125			250
AL/0009...	2500			150	125	
	5000					
AL/0011...	1250		25			
	2500		50	200	125	250
	5000		100			



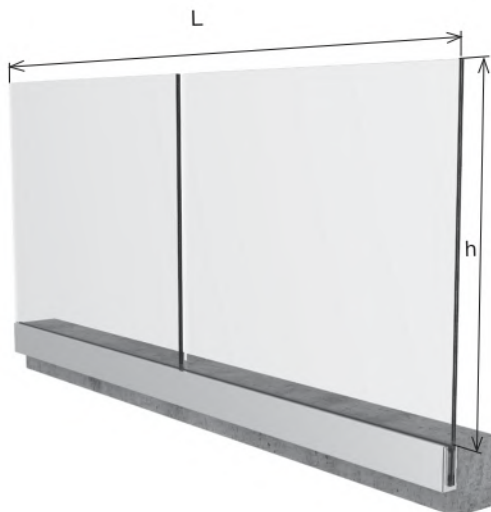
Q9/03-0,2x9






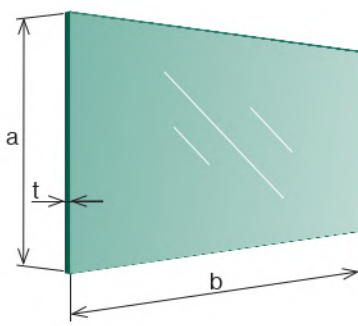
	art.	h	L	glass t
	AL/ZALVR100-2500-004	1000	2500	16,76 VSG/ESG

	art.	h	L	glass t
	AL/ZALVR100-2500-006	1000	2500	16,76 VSG/ESG

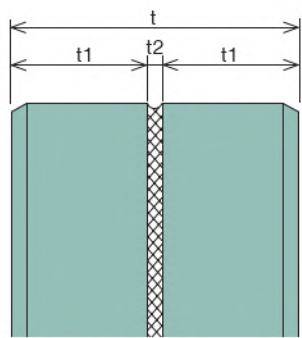


	art.	h	L	glass t
	AL/ZALBR100-2500-005	1000	2500	16,76 VSG/ESG

	art.	h	L	glass t
	AL/ZALBR100-2500-011	1000	2500	16,76 VSG/ESG



Quality	art.	t	a	b
VSG/ESG 6.6.2	GS/12,76-100x60-VSG/ESG	12,76	1000	600
	GS/12,76-100x70-VSG/ESG			700
	GS/12,76-100x80-VSG/ESG			800
	GS/12,76-100x90-VSG/ESG			900
	GS/12,76-100x95-VSG/ESG			950
	GS/12,76-100x100-VSG/ESG			1000
VSG/ESG 8.8.2	GS/16,76-100x40-VSG/ESG	16,76	1000	400
	GS/16,76-100x50-VSG/ESG			500
	GS/16,76-100x60-VSG/ESG			600
	GS/16,76-100x70-VSG/ESG			700
	GS/16,76-100x80-VSG/ESG			800
	GS/16,76-100x90-VSG/ESG			900
	GS/16,76-100x95-VSG/ESG			950
	GS/16,76-100x100-VSG/ESG			1000
VSG/ESG 8.8.2	GS/16,76-110x60-VSG/ESG	16,76	1100	600
	GS/16,76-110x70-VSG/ESG			700
	GS/16,76-110x80-VSG/ESG			800
	GS/16,76-110x90-VSG/ESG			900
	GS/16,76-110x95-VSG/ESG			950
	GS/16,76-110x100-VSG/ESG			1000
VSG/ESG 8.8.2	GS/16,76-120x40-VSG/ESG	16,76	1200	400
	GS/16,76-120x50-VSG/ESG			500
	GS/16,76-120x60-VSG/ESG			600
	GS/16,76-120x70-VSG/ESG			700
	GS/16,76-120x80-VSG/ESG			800
	GS/16,76-120x90-VSG/ESG			900
	GS/16,76-120x95-VSG/ESG			950
	GS/16,76-120x100-VSG/ESG			1000
	GS/16,76-120x110-VSG/ESG			1100

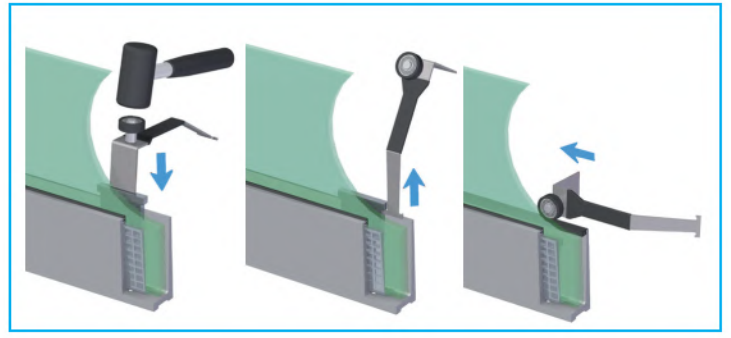


VSG Glass	4.4.1	4.4.2	5.5.1	5.5.2	6.6.1	6.6.2	8.8.2	8.8.4	8.8.8.2.2
t1	2x4	2x4	2x5	2x5	2x6	2x6	2x8	2x8	3x8
t2	0,38	0,76	0,38	0,76	0,38	0,76	0,76	1,52	2x0,76
t	8,38	8,76	10,38	10,76	12,38	12,76	16,76	17,52	25,52

Glass	FLOAT, ESG								
t1 (mm)	3	4	5	6	8	10	12	15	19
Tolerance (± mm)	0,2	0,2	0,2	0,2	0,3	0,3	0,3	0,5	1,0
Weight (kg/m ²)	7,5	10	12,5	15	20	25	30	37,5	47,5



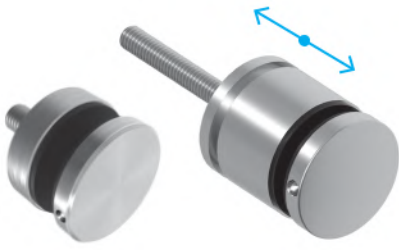
art.
AL/glass-mont



2

GLASS
ADAPTERS





ROUND MODELS
FLEX
FIX



SQUARE MODELS
FIX

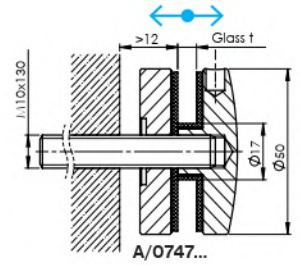
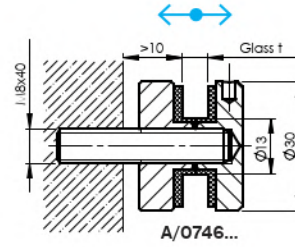
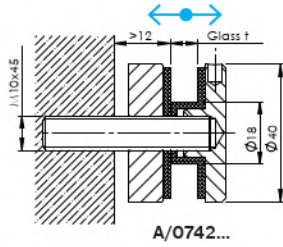


DOUBLE ADAPTERS
GLASS

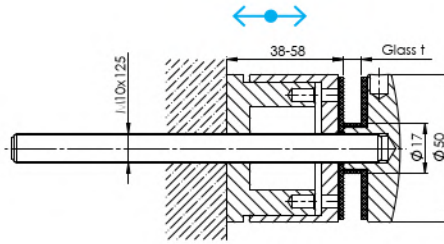


SETS

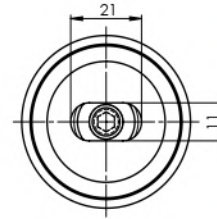
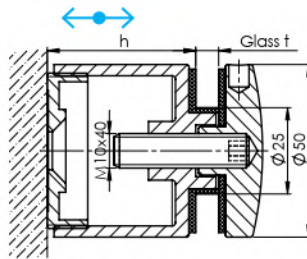
MODEL FLEX



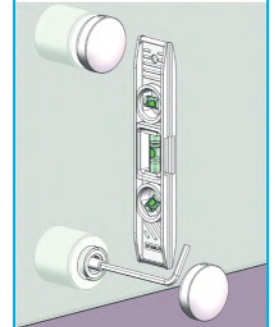
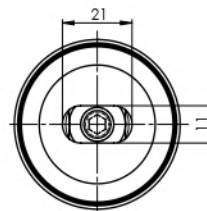
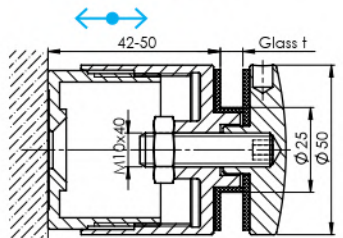
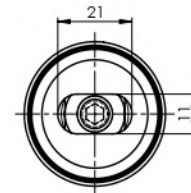
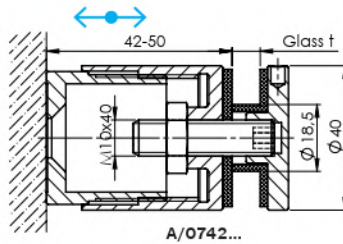
Quality	Finish	Ø	art.	glass t	glass hole
AISI304	satin	flat	A/0742-FLEX1	8-17,52	20
			A/0746-FLEX1-B	6-12,76	15
			A/0747-FLEX1-B	8-17,52	20



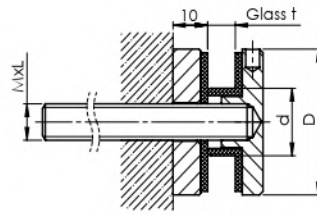
Quality	Finish	Ø	art.	glass t	glass hole
AISI304	satin	flat	A/0747-FLEX2	8-17,52	20
AISI316			A14/0747-FLEX2		



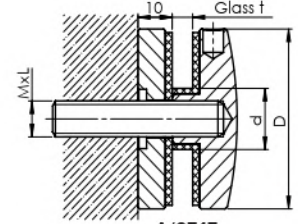
Quality	Finish	Ø	art.	h	glass t	glass hole
AISI304	satin	flat	A/0747-501 FLEX2	42-47	8-17,52	30
			A/0747-502 FLEX2	32-37		
			A/0747-503 FLEX2	52-57		



Quality	Finish	Ø	art.	glass t	glass hole
AISI304	satin	flat	A/0742-FLEX3	8-17,52	22
			A/0747-FLEX3		30
AISI316	polish		A14/0747-FLEX3-L		



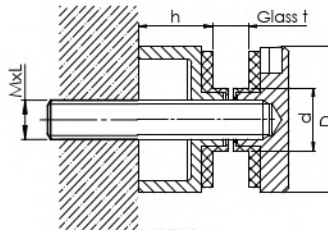
A/0742...
A/0749...



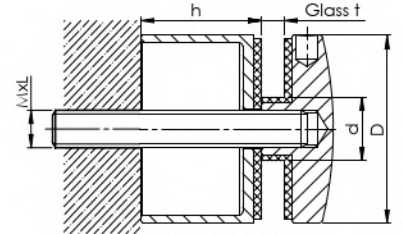
A/0747...
A/0748...
ZN/0747...

Quality	Finish	∅	art.	D	MxL	glass t	d	glass hole
AISI304	satin	flat	A/0742-000	40	M10x100		18,5	22
			A/0747-000-S	50	M8x45			
			A/0747-000	50	M10x45		17	
			A/0749-000	60	M10x100		18	
			A/0748-000	70		8-17,52		20
	polish		A/0747-000-L		M10x45			
AISI316	satin		A14/0747-000	50			17	
			A14/0747-000-S		M8x45			
ZAMAK	raw		ZN/0747-000		M10x45			

top

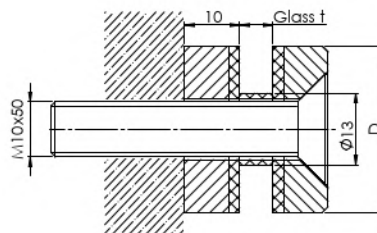


A/0746...
ZN/0746...

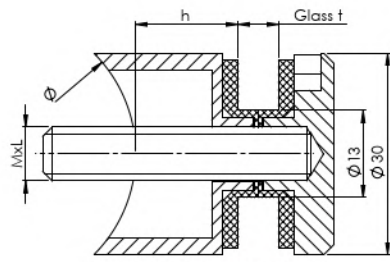


A/0747...

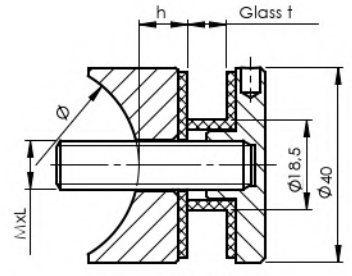
Quality	Finish	∅	art.	D	h	MxL	glass t	d	glass hole
AISI304	satin	flat	A/0746-000		15	M8x40			
			A/0746-300	30	32	M8x80	6-12,76	13	15
			A/0746-400		42				
			A/0746-500		52	M8x100			
			A/0747-300		32	M10x70			
	polish		A/0747-400	50	42		8-17,52	17	20
			A/0747-500		52	M10x90			
AISI316	satin		A/0746-000-L	30	15	M8x40	6-12,76	13	15
			A14/0746-000	30	15	M8x40	6-12,76	13	15
AISI316	satin		A14/0747-300	50	32	M10x70	8-17,52	18	20
ZAMAK	raw		ZN/0746-000	30	15	M8x40	6-12,76	13	15



Quality	Finish	∅	art.	D	glass t	glass hole
AISI304	satin	flat	A/0763-000	30	6-12,76	15
			A/0764-000	40	8-17,52	
AISI316			A14/0763-000	30	6-12,76	
			A14/0764-000	40	8-17,52	

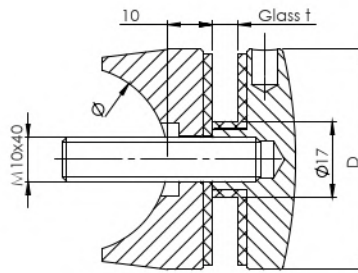


A/0746...

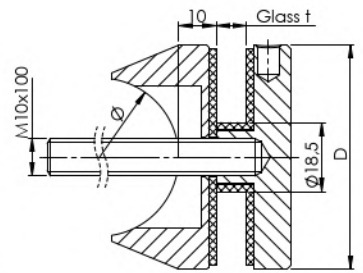


A/0742...

Quality	Finish	∅	art.	h	MxL	glass t	glass hole
AISI304	satin	33,7	A/0746-033	13	M8x50	6-12,76	15
			A/0746-042	15	M8x40		
AISI316		42,4	A14/0746-042	15	M8x40		
AISI304			A/0742-042	10	M10x40	8-17,52	22

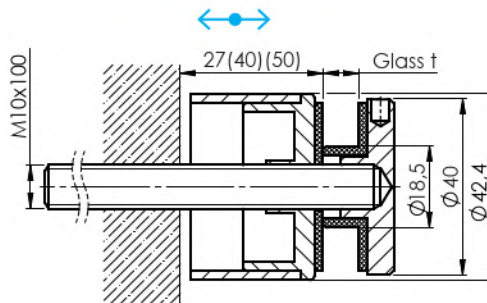


A/0747...
A/0748...
A14/0747...

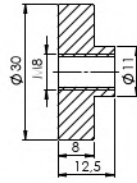
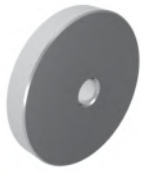


A/0749...

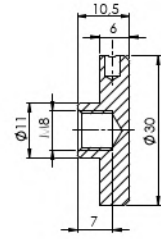
Quality	Finish	∅	art.	D	glass t	glass hole
AISI304	satin	42,4	A/0747-242	50	8-17,52	20
			A/0749-042	60		22
			A/0748-242	70		20
AISI316			A14/0747-242	50		20



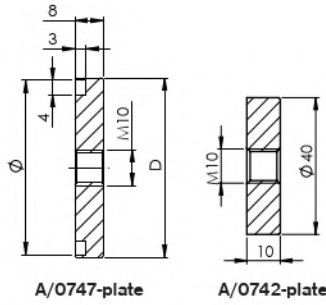
Quality	Finish	∅	art.	glass t	glass hole
AISI304	satin	flat	A/0742-FLEX	8-17,52	22



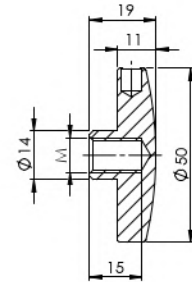
Quality	Finish	art.
AISI304	satın	A/0746-plate



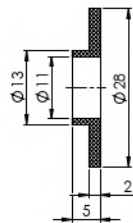
Quality	Finish	art.
AISI304	satın	A/0746-front



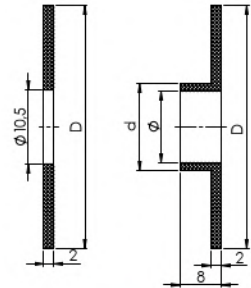
Quality	Finish	art.	D	Ø
AISI304	satın	A/0742-plate	40	38,7
		A/0747-plate	50	48,7



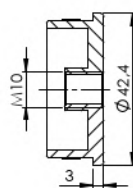
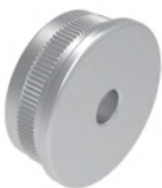
Quality	Finish	art.	M
AISI304	satın	A/0747-front	10
		A/0747-S-front	8



Quality	Finish	art.	Compatibility
Rubber	black	A19/46-Black	A/0746-...
	white	A19/46-White	



Quality	Finish	art.	D	d	Ø	Compatibility
Rubber	black	A19/47-Black	48	17	14	A/0747-...
		A19/42-Black	38	18,5	15,5	A/0742-...
	white	A19/47-White	48	17	14	A/0747-...



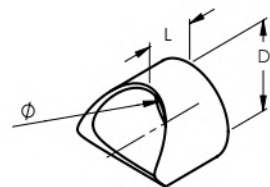
Quality	Finish	art.
AISI304	satın	A/5736-242-M10



A/...-000



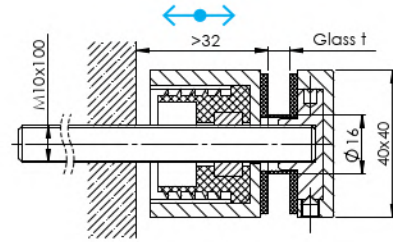
A/...-042



Quality	Finish	Ø	D	art.	L
AISI304	satın	flat	33,7x2	A/33,7x2-22-000	22
				A/42,4x2-22-000	
			42,4x2	A/42,4x2-35-000	
		42,4	33,7x2	A/33,7x2-22-042	22
				A/42,4x2-22-042	
			42,4x2	A/42,4x2-22-042	

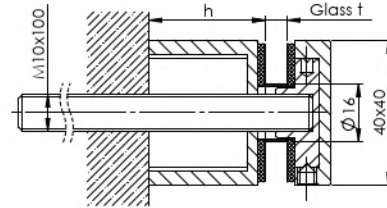
new

MODEL FLEX

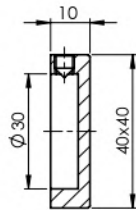


Quality	Finish	Ø	art.	glass t	glass hole
AISI304	satın	flat	A/0745-300-FLEX1	8-17,52	18

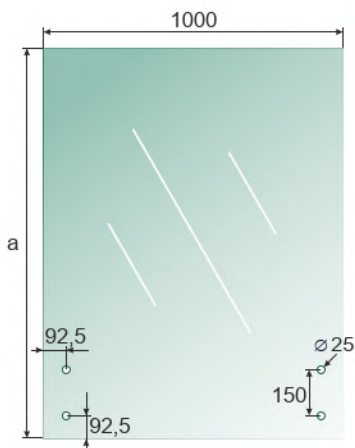
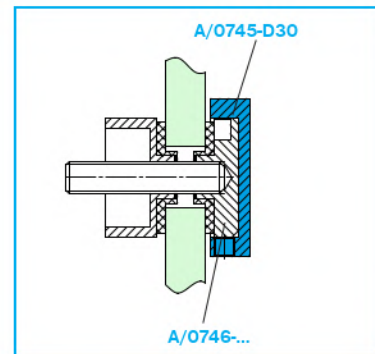
MODEL FIX



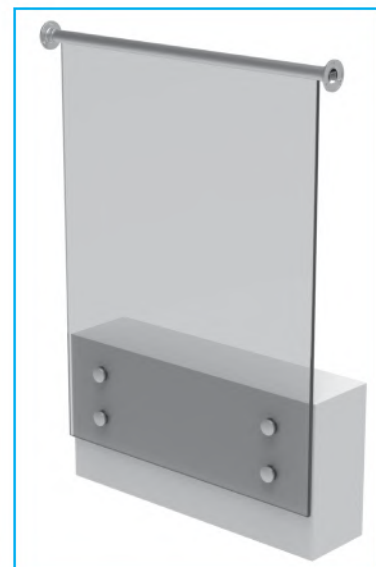
Quality	Finish	Ø	art.	h	glass t	glass hole
AISI304	satın	flat	A/0745-300	32	8-17,52	18
			A/0745-500	52		

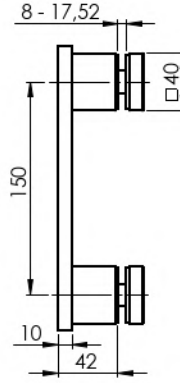
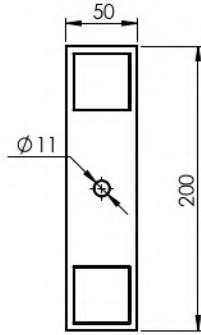


Quality	Finish	art.
AISI304	satın	A/0745-D30

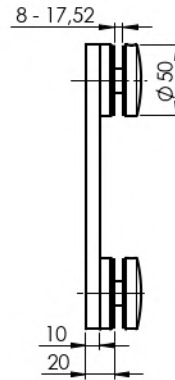
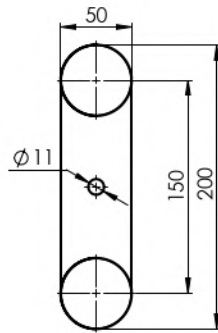


Quality	art.	a	glass t
VSG/ESG	GS/16,76-98x100-VSG/ESG	980	16,76
	GS/16,76-133x100-VSG/ESG	1330	

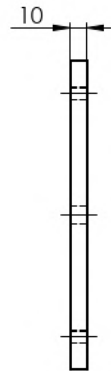
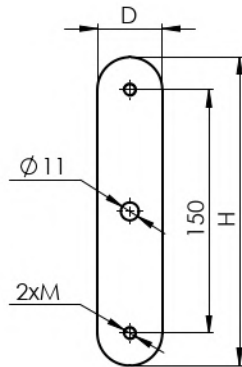




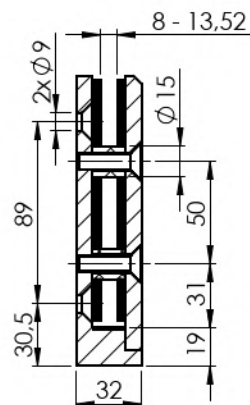
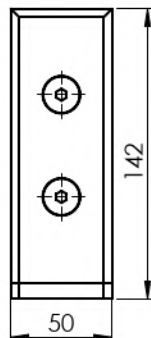
Quality	Finish	art.	glass hole
AISI304	satın	A/2740-000	18



Quality	Finish	art.	glass hole
AISI304	satın	A/2747-000	20



Quality	Finish	art.	D	H	M
AISI304	satın	A/2746-000 plate T10mm	40	190	8
		A/2747-000 plate T10mm	50	200	10



Quality	Finish	art.	glass hole
AISI316	satın	A14/3000-000	18

3

SPIGOTS





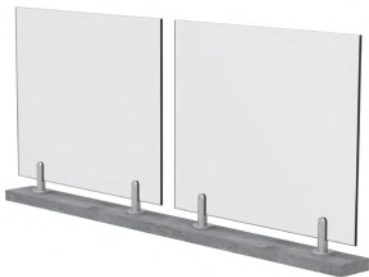
SQUARE MODELS
FLEX
FIX



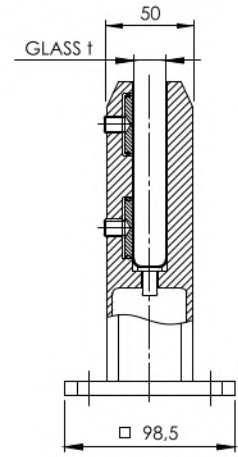
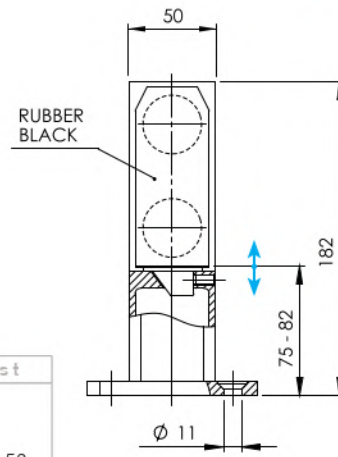
ROUND MODELS
FLEX
FIX



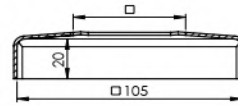
POST MODELS
GLASS



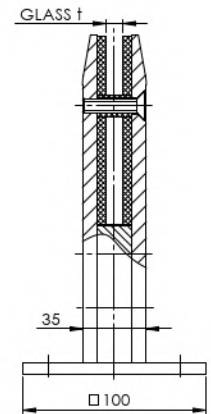
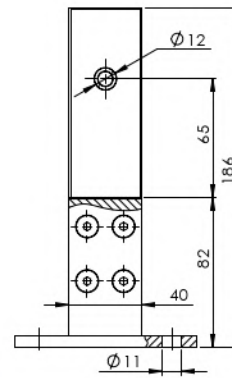
SETS



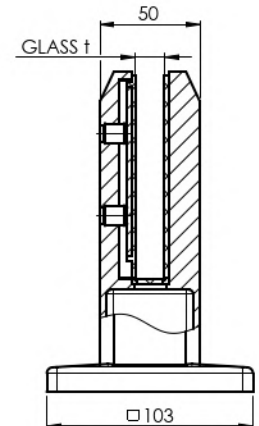
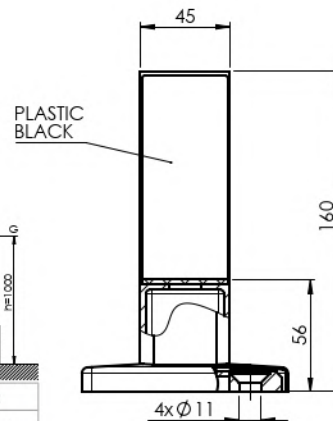
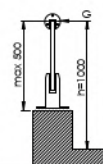
Quality	Finish	art.	G/h	pcs/m	Glass t
AISI304	satin	A/6200-000-C	0,5kN	3	12-17,52
AISI316	satin	A14/6200-000-C			
	polish	A14/6200-000-C-L			
S.S.2205	satin	A22/6200-000-C	1kN		



Quality	Finish	art.	
AISI316	satin	A14/4511-050-B	51,5
	polish	A14/4511-050-B-L	

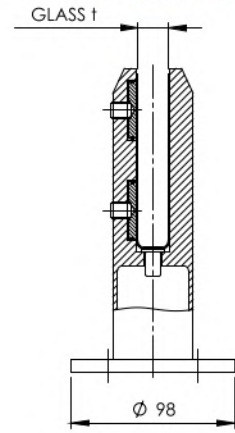
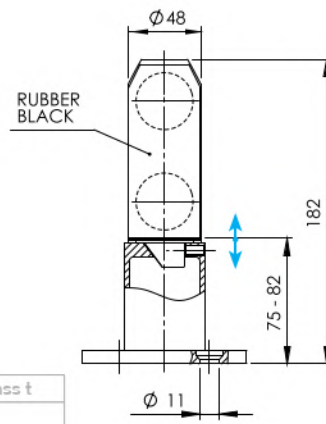


Quality	Finish	art.	G/h	pcs/m	Glass t	glass hole
AISI304	satin	A/6200-000-B	0,5kN	3	12-17,52	15

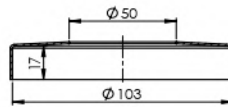


Quality	Finish	art.	G/h	pcs/m	Glass t
AISI316	satin	A14/6220-014	0,25kN*	3	12,0-13,5
		A14/6220-018			16,0-17,5

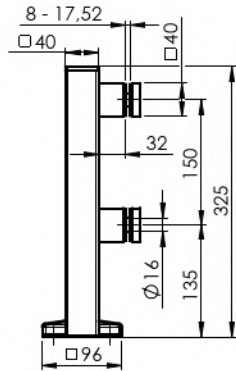
* for use only with anchored cap rail



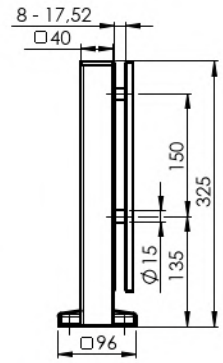
Quality	Finish	art.	G/h	pcs/m	Glass t
AISI304	satin	A/6100-000-B	0,5kN	3	12-17,52
AISI316		A14/6100-000-B			
	polish	A14/6100-000-B-L			



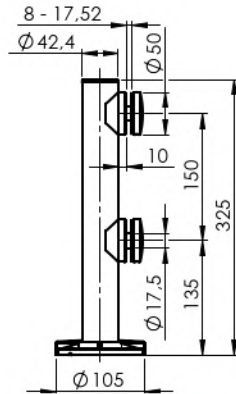
Quality	Finish	art.
AISI304	satin	A/0512-050
AISI316		A14/0512-050



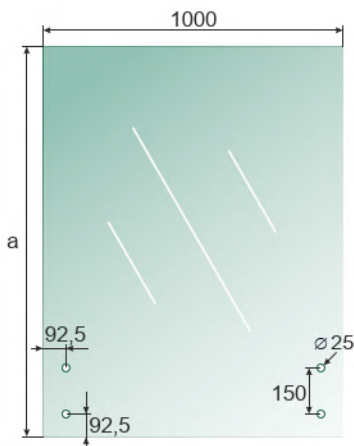
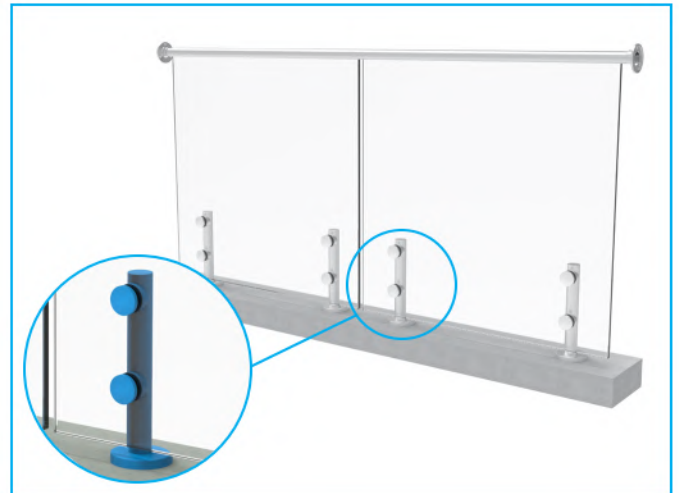
Quality	Finish	art.	Glass	Glass hole
AISI304	satın	A/6400-040	GS/16,76-...	20



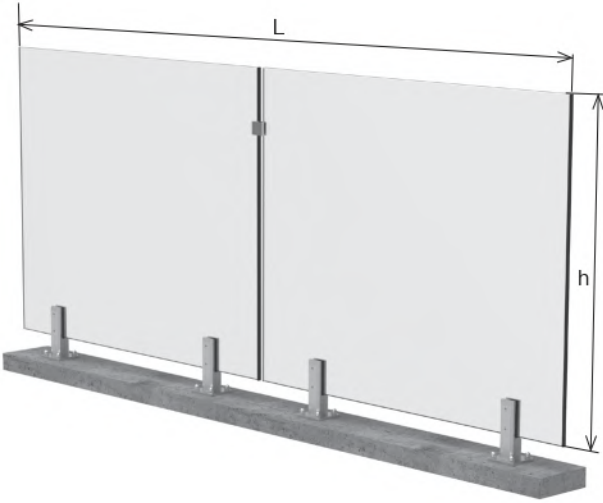
Quality	Finish	art.	Glass	Glass hole
AISI304	satın	A/6400-040-plate	GS/16,76-...	20




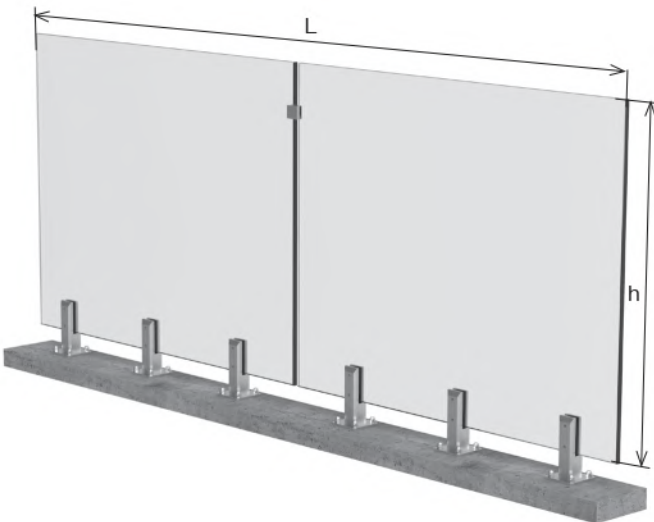
Quality	Finish	art.	Glass	Glass hole
AISI316	satın	A14/6300-000	GS/16,76-...	20




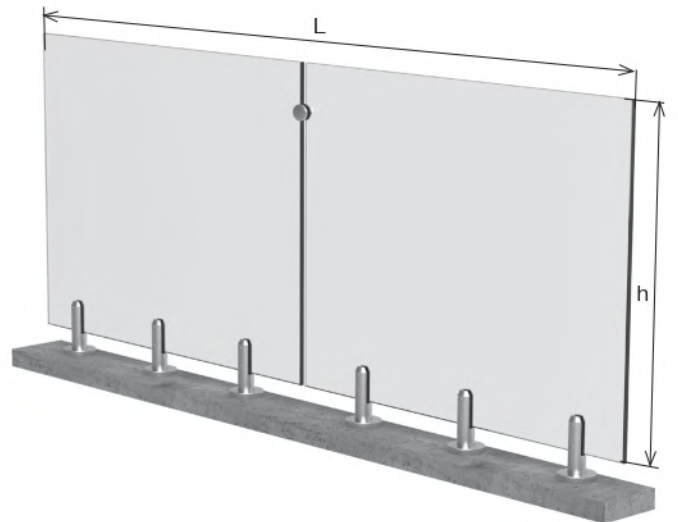
Quality	art.	a	glass t
VSG/ESG	GS/16,76-98x100-VSG/ESG	980	16,76
	GS/16,76-133x100-VSG/ESG	1330	




	art.	G/h	h	L	glass t
	GS/FRB-103x120-6200	0,5kN	1030	2x1200	16,76 VSG/ESG



	art.	G/h	h	L	glass t
	GS/FRB8-120x100-6200-6	1kN	1030	2x1200	16,76 VSG/ESG



	art.	G/h	h	L	glass t
	GS/FRB8-120x100-6100-6	0,5kN	1030	2x1200	16,76 VSG/ESG



4

GLASS CONNECTORS
HANDRAIL HOLDERS
FOR GLASS



**GLASS CONNECTORS
-ROUND MODELS**

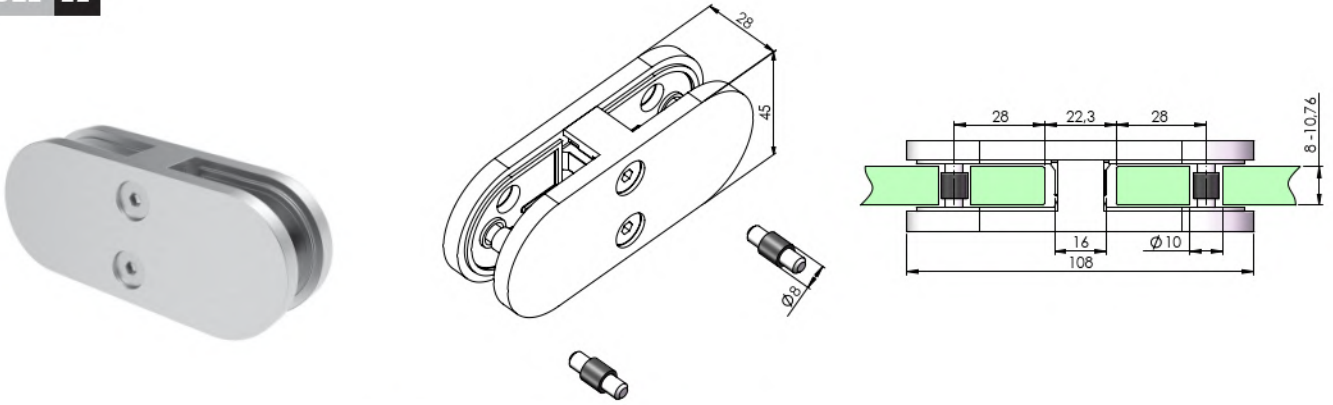


**GLASS CONNECTORS
-SQUARE MODELS**




**HANDRAIL HOLDERS
FOR GLASS**

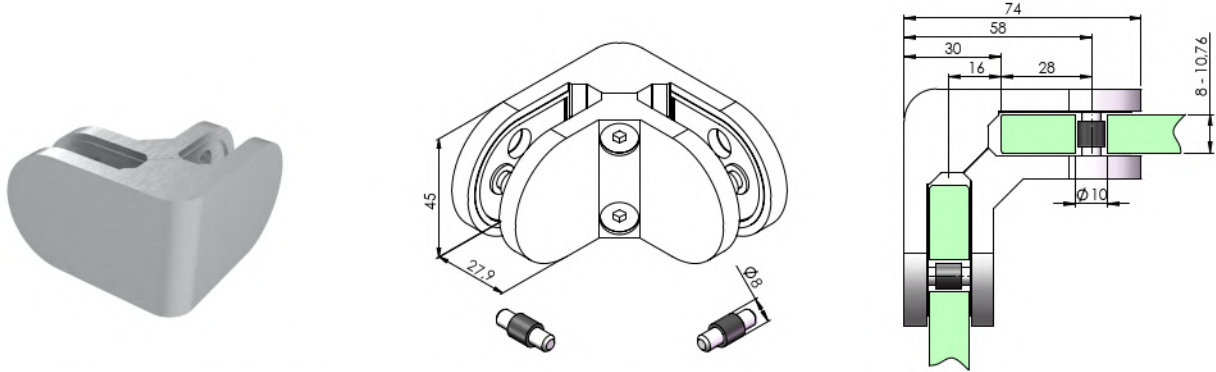
MODEL 22




Quality	Finish	art.			Test
AISI316	satın	A14/2200-700	1x	A19/04-PVC	GAMIN

	plate t			glass t			
	1,5	2	3	8	8,76	10	10,76
	A19/22-0015	A19/22-002	A19/22-003	A19/22-008	A19/22-009	A19/22-010	A19/22-011

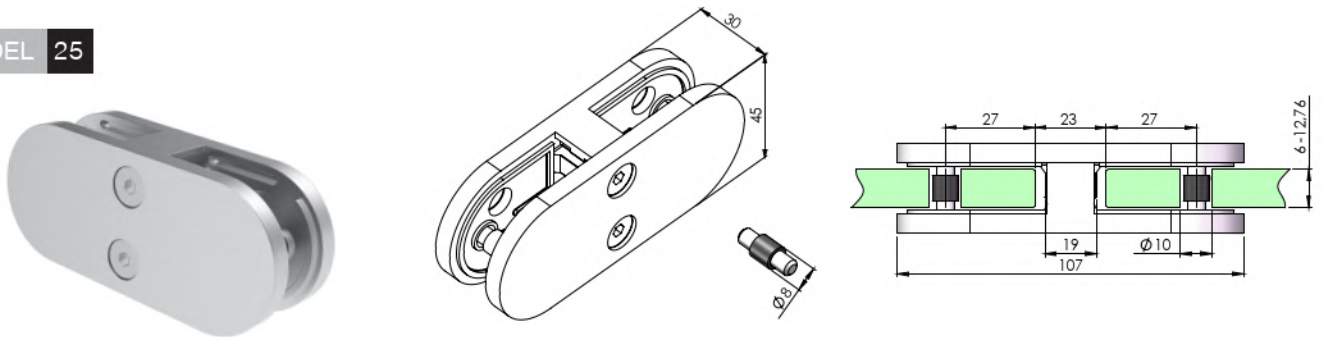
4
GLASS CONNECTORS




Quality	Finish	art.			Test
AISI316	satın	A14/2200-900-B	1x	A19/04-PVC	GAMIN

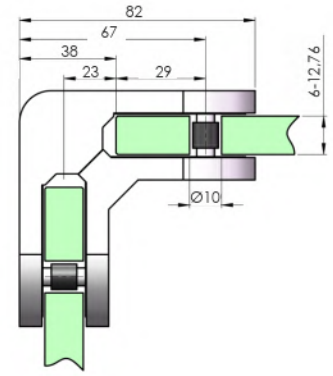
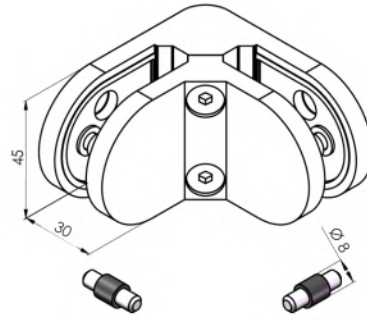
	plate t			glass t			
	1,5	2	3	8	8,76	10	10,76
	A19/22-0015	A19/22-002	A19/22-003	A19/22-008	A19/22-009	A19/22-010	A19/22-011

MODEL 25



Quality	Finish	art.			Test
AISI316	satın	A14/2500-700	1x	A19/04-PVC	GAMIN

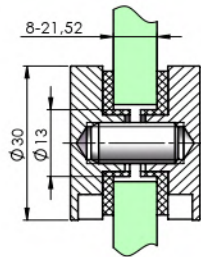
	8	8,76	10	10,76	12	12,76
		A19/25-008	A19/25-009	A19/25-010	A19/25-011	A19/25-012



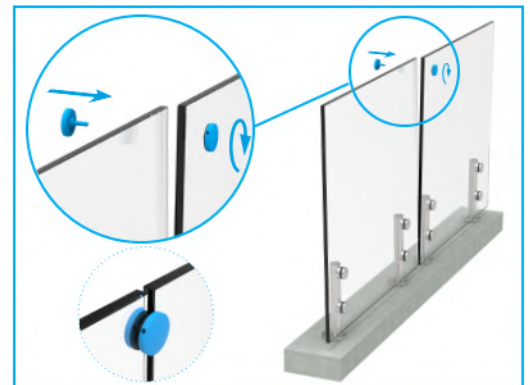
Quality	Finish	art.		Test
AISI316	satın	A14/2500-900	1x	GAMIN

	8	8,76	10	10,76	12	12,76
	A19/25-008	A19/25-009	A19/25-010	A19/25-011	A19/25-012	A19/25-013

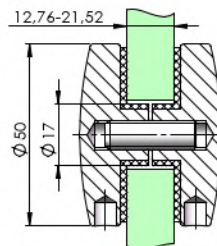
MODEL 0746



Quality	Finish	art.	glass hole
AISI304	satın	A/0746-SET	15

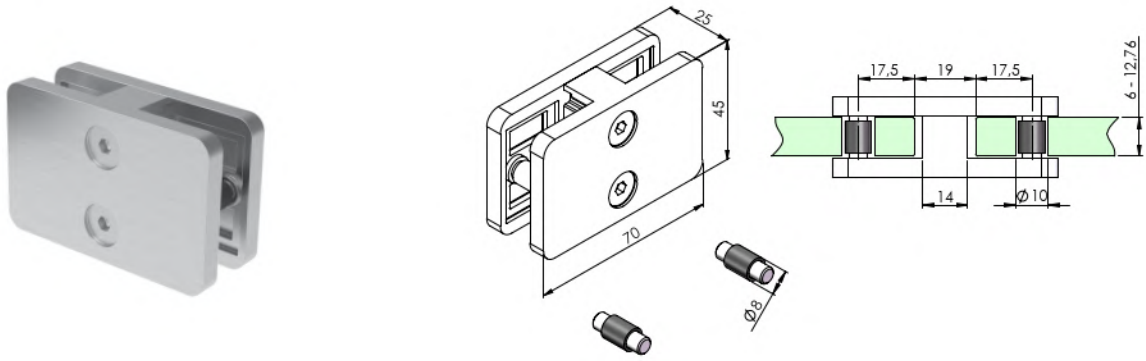


MODEL 0747



Quality	Finish	art.	glass hole
AISI304	satın	A/0747-S-SET	20

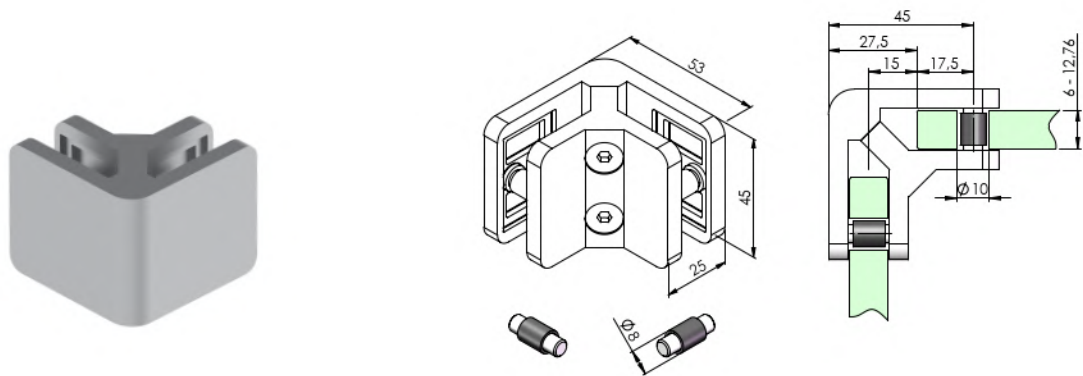
MODEL 230P



Quality	Finish	art.			Test
AISI316	satın	A14/230P-700	1x	A19/04-PVC	GAMIN

	glass t							
	6	6,76	8	8,76	10	10,76	12	12,76
	A19/23-P06/K08	A19/23-P07/K09	A19/23-P08/K10	A19/23-P09/K11	A19/23-P10/K12	A19/23-P11/K13	A19/23-P12	A19/23-P13

4 GLASS CONNECTORS



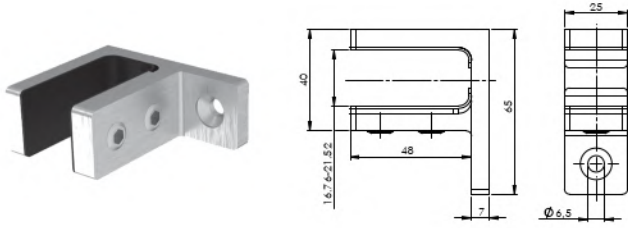
Quality	Finish	art.			Test
AISI316	satın	A14/230P-900	1x	A19/04-PVC	GAMIN

	glass t							
	6	6,76	8	8,76	10	10,76	12	12,76
	A19/23-P06/K08	A19/23-P07/K09	A19/23-P08/K10	A19/23-P09/K11	A19/23-P10/K12	A19/23-P11/K13	A19/23-P12	A19/23-P13

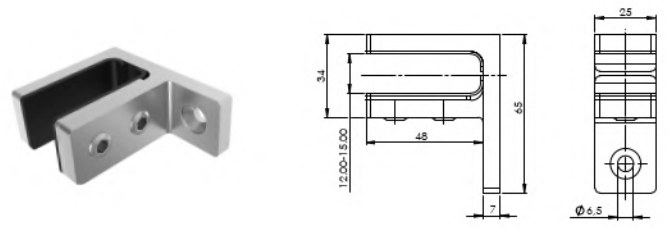
MODEL 0745



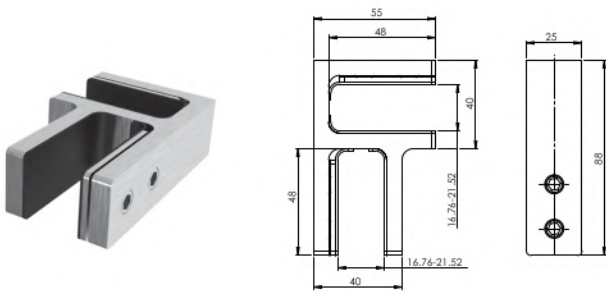
Quality	Finish	art.	glass hole
AISI304	satın	A/0745-SET	15



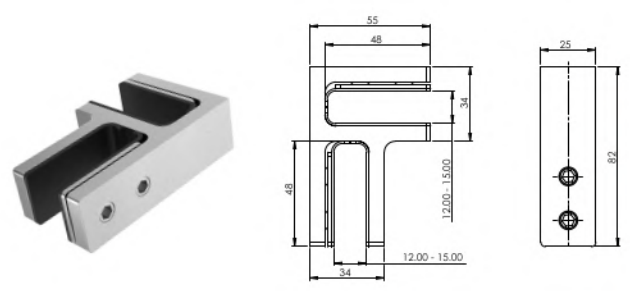
Quality	Finish	art.	glass t
AISI316	satın	A14/0771-000	16,76 - 21,52



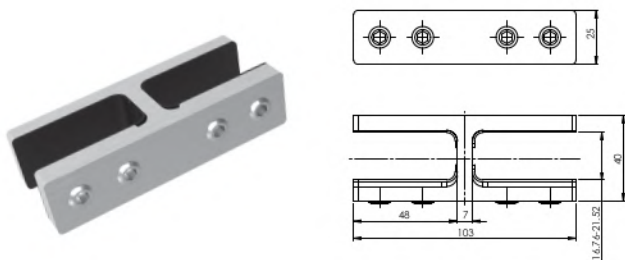
Quality	Finish	art.	glass t
AISI316	satın	A14/0771-015	12 - 15



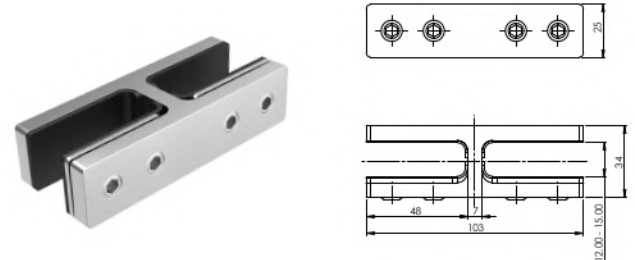
Quality	Finish	art.	glass t
AISI316	satın	A14/0773-000	16,76 - 21,52



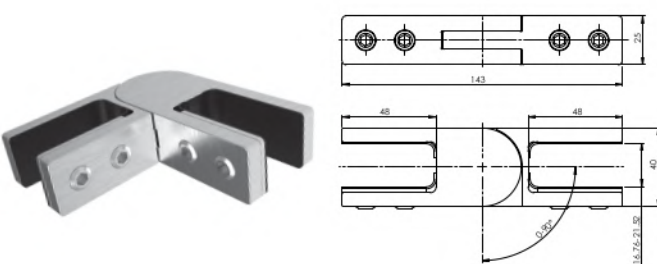
Quality	Finish	art.	glass t
AISI316	satın	A14/0773-015	12 - 15



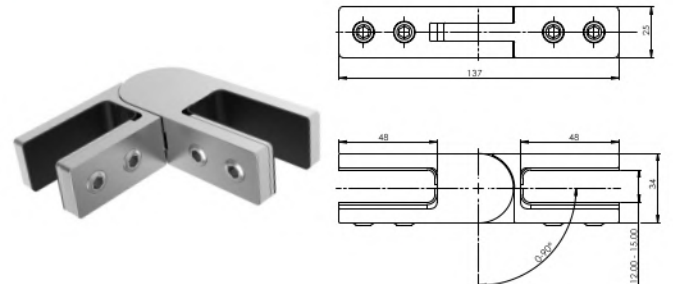
Quality	Finish	art.	glass t
AISI316	satın	A14/0772-000	16,76 - 21,52



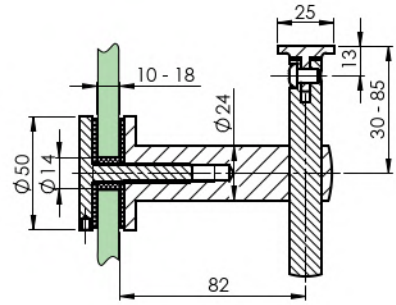
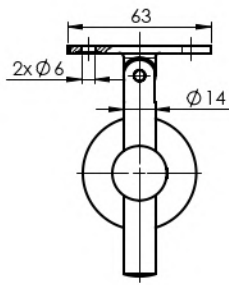
Quality	Finish	art.	glass t
AISI316	satın	A14/0772-015	12 - 15



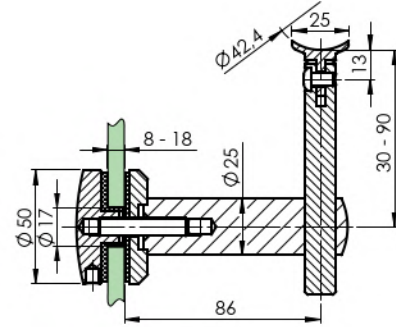
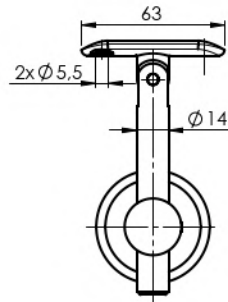
Quality	Finish	art.	glass t
AISI316	satın	A14/0774-000	16,76 - 21,52



Quality	Finish	art.	glass t
AISI316	satın	A14/0774-015	12 - 15

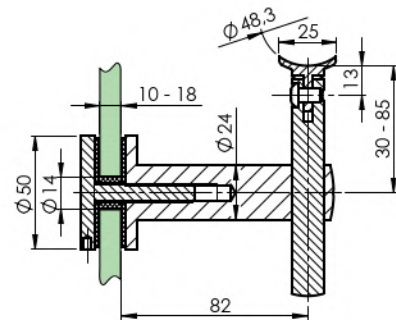
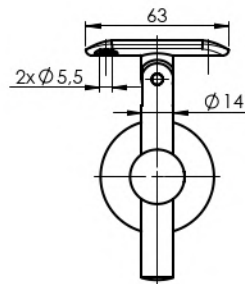


Quality	Finish	art.	Glass hole
AISI304	satın	A/0155-000	20

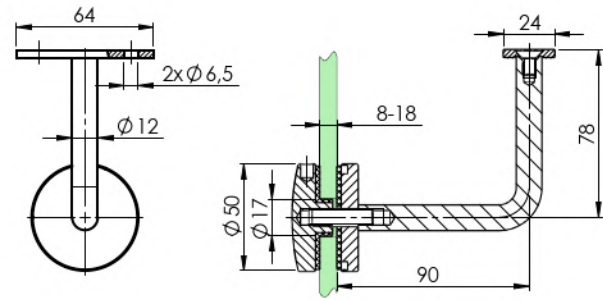


Quality	Finish	art.	Glass hole
AISI304	satın	A/0155-042-B	20
AISI316	satın	A14/0155-042	20

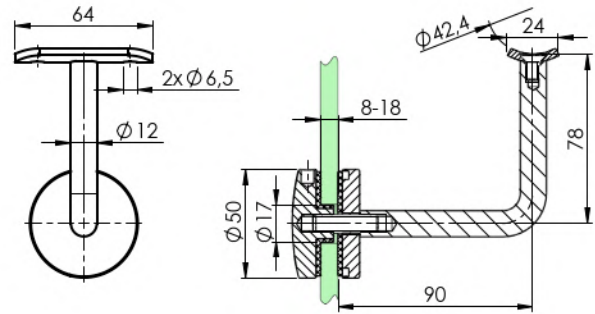
top



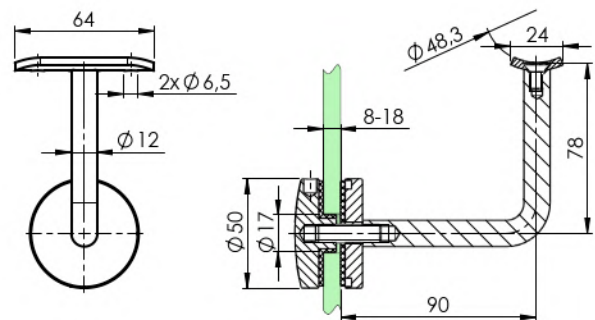
Quality	Finish	art.	Glass hole
AISI316	satın	A14/0155-048	20



Quality	Finish	art.	Glass hole
AISI304	satın	A/0156-000	20



Quality	Finish	art.	Glass hole
AISI304	satın	A/0156-042	20



Quality	Finish	art.	Glass hole
AISI304	satın	A/0156-048	20

5

CAP RAILS

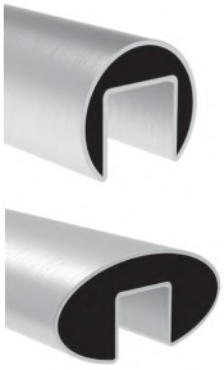


2.8
Informational sign

2.9
Informational sign

2.9
Welcome
Informational sign

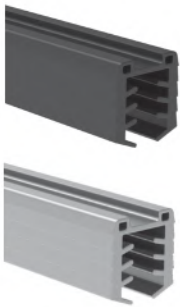




**ROUND MODELS
LED**



SQUARE MODELS

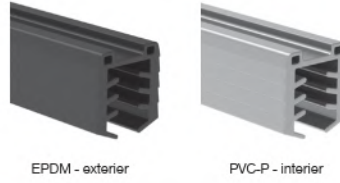
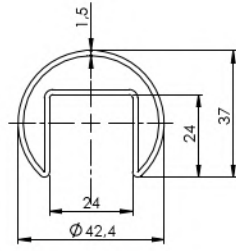
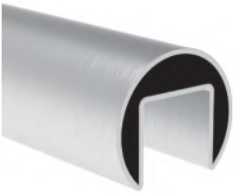


CAP RAIL RUBBERS



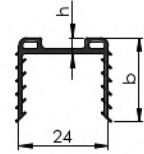
**CAP RAIL FITTINGS
END CAPS**

MODEL 42,4x1,5



EPDM - exterior

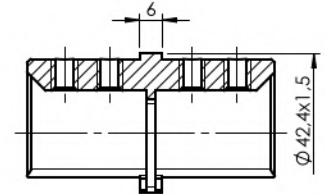
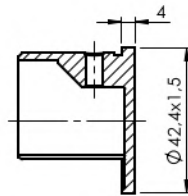
PVC-P - interior



Quality	Finish	art.	L
AISI304	satin	A/6925-042-1250	1250
		A/6925-042	2500
		A/6920-042	5000
		A/6921-042	6000
AISI316	polish	A14/6920-042	5000
		A14/6920-042-L	5000

top

Quality	Finish	art.	Glass t	b	h	L		
Rubber	black (exterior)	A19/5042-008	8,0-11,0	22	5	2500		
		A19/5042-208				5000		
		A19/5042-011	11,5-13,5	25	4,5	2500		
		A19/5042-211				5000		
		A19/5042-016	16,0-17,5	21,5	4,2	2500		
		A19/5042-216				5000		
		Rubber interior	gray (interior)	A19/5042-021	20,76-21,52	24	3,5	2500
				A19/5042-221				5000
A19/5042-G-016	16,0-17,5			21,5	4,2	2500		
A19/5042-G-216						5000		

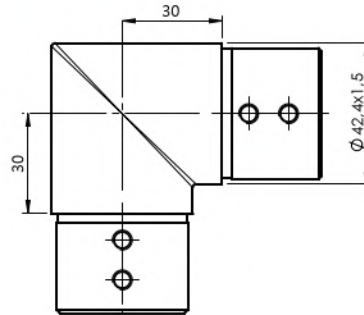
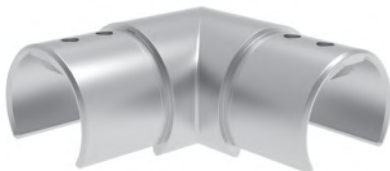


Quality	Finish	art.
AISI304	satin	A/6732-042
AISI316		A14/6732-042

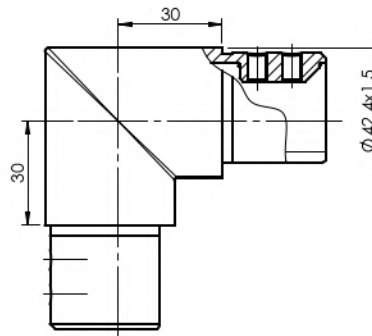
top

Quality	Finish	art.
AISI304	satin	A/6790-042
AISI316		A14/6790-042

top

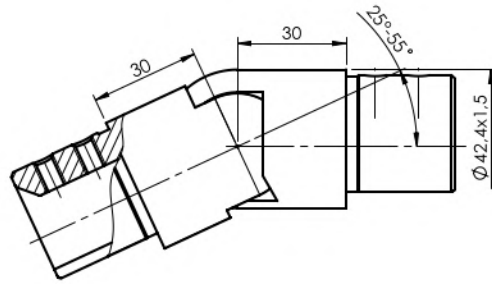


Quality	Finish	art.
AISI304	satin	A/6313-042
AISI316		A14/6313-042

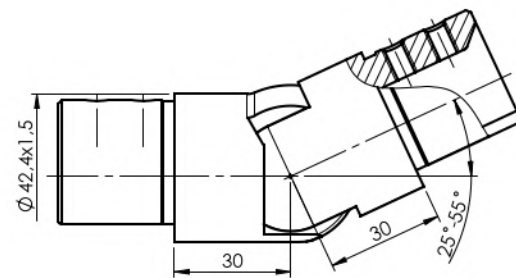


Quality	Finish	art.
AISI316	satin	A14/6303-042

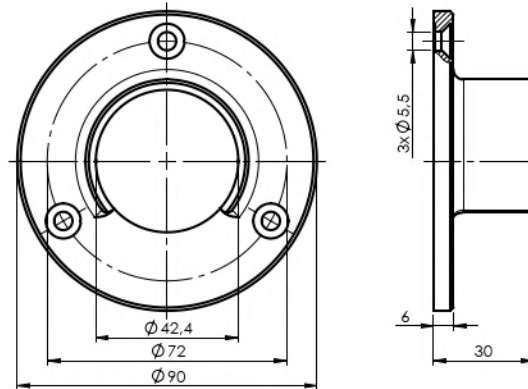
MODEL 42,4x1,5



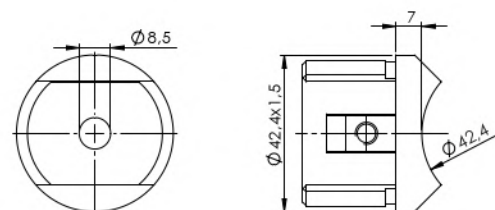
Quality	Finish	art.
AISI304	satin	A/6302-042
AISI316		A14/6302-042



Quality	Finish	art.
AISI304	satin	A/6312-042
AISI316		A14/6312-042

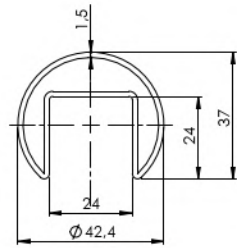
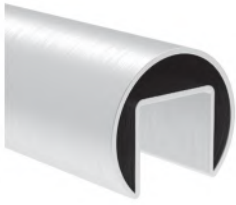


Quality	Finish	art.
AISI316	satin	A14/6505-042

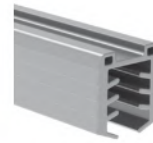


Quality	Finish	art.
AISI316	satin	A14/6727-042

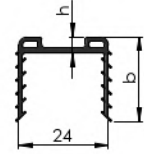
new



EPDM - exterior

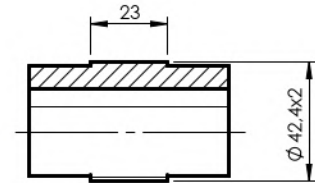
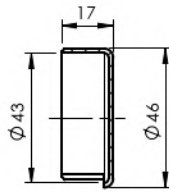


PVC-P - interior



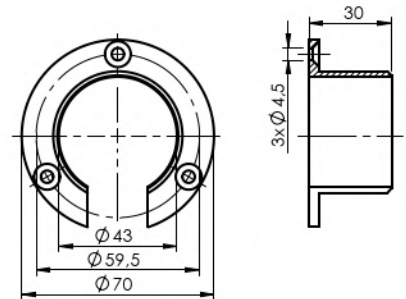
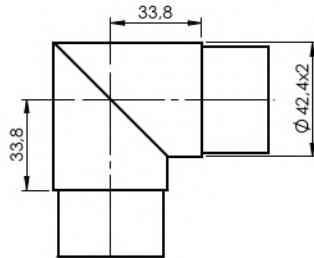
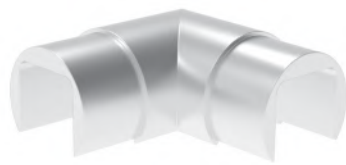
Quality	Finish	Effect	art.	L
ALUMINIUM	satin	silver	AL/6925-042-S-E	3000
		black	AL/6925-042-S-EB	
		silver	AL/6920-042-S-E	6000
		black	AL/6920-042-S-EB	

Quality	Finish	art.	Glass t	b	h	L
Rubber	black (exterior)	A19/5042-008	8,0-11,0	22	5	2500
		A19/5042-208				5000
		A19/5042-011	11,5-13,5	25	4,5	2500
		A19/5042-211				5000
		A19/5042-016	16,0-17,5	21,5	4,2	2500
		A19/5042-216				5000
		A19/5042-021	20,76-21,52	24	3,5	2500
		A19/5042-221				5000
Rubber interior	gray (interior)	A19/5042-G-016	16,0-17,5	21,5	4,2	2500
		A19/5042-G-216				5000



Quality	Finish	art.
ALUMINIUM	satin	AL/6732-042

Quality	Finish	art.
ALUMINIUM	satin	AL/6790-042

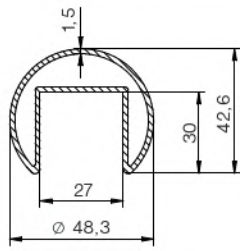
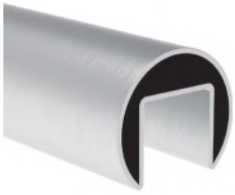


Quality	Finish	art.
ALUMINIUM	satin	AL/6313-042

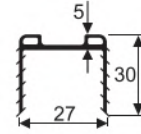
Quality	Finish	art.
ALUMINIUM	satin	AL/6505-042



MODEL 48x1,5

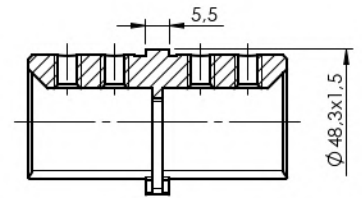
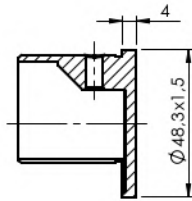


EPDM - exterior



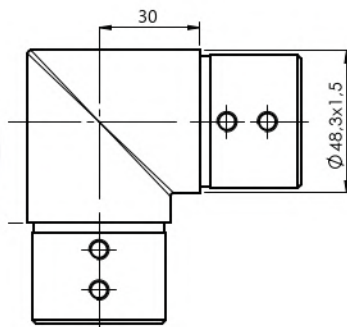
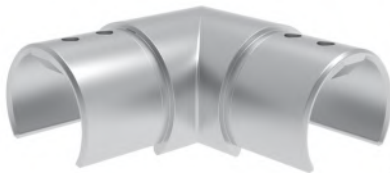
Quality	Finish	art.	L
AISI304	satin	A/6920-048	5000
		A/6925-048	2500
AISI316	satin	A14/6920-048	5000
		A14/6925-048	2500

Quality	Finish	art.	Glass t	L
Rubber	black (exterior)	A19/5048-215	15,0-17,5	5000
		A19/5048-022	20,0-20,5	2500

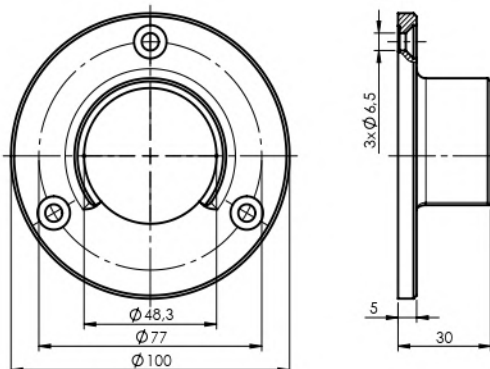


Quality	Finish	art.
AISI304	satin	A/6732-048

Quality	Finish	art.
AISI304	satin	A/6790-048



Quality	Finish	art.
AISI304	satin	A/6313-048

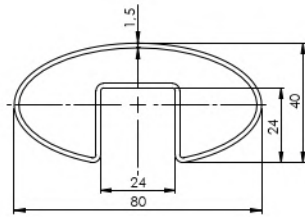
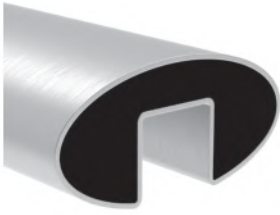


Quality	Finish	art.
AISI304	satin	A/6505-048

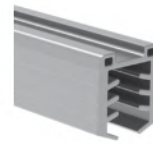
5

CAP RAILS

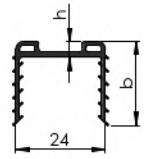
MODEL 80x40x1,5



EPDM - exterior



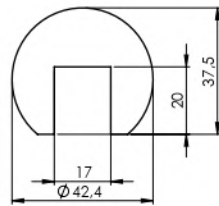
PVC-P - interior



Quality	Finish	art.	L
AISI304	satın	A/6920-080	5000

Quality	Finish	art.	Glass t	b	h	L
Rubber	black (exterior)	A19/5042-008	8,0-11,0	22	5	2500
		A19/5042-208				5000
		A19/5042-011	11,5-13,5	25	4,5	2500
		A19/5042-211				5000
		A19/5042-016	16,0-17,5	21,5	4,2	2500
		A19/5042-216				5000
		A19/5042-021	20,76-21,52	24	3,5	2500
A19/5042-221	5000					
Rubber interior	gray (interior)	A19/5042-G-016	16,0-17,5	21,5	4,2	2500
		A19/5042-G-216				5000

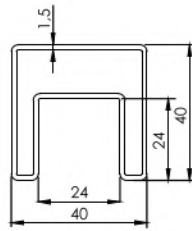
MODEL 42,4



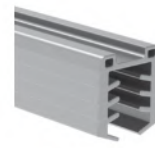
Quality	Finish	art.	L
Beech	natural	WB/6925-042-17	2500
Oak		WD/6925-042-17	



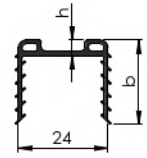
MODEL 40x40x1,5



EPDM - exterior

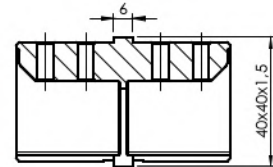
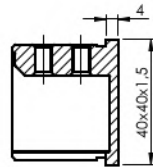


PVC-P - interior



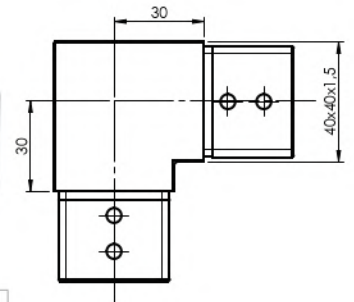
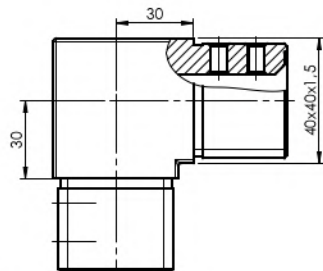
Quality	Finish	art.	L
AISI304	satin	A/6925-040	2500
		A/6920-040	5000
		A/6921-040	6000
AISI316		A14/6920-040	5000

Quality	Finish	art.	Glass t	b	h	L
Rubber	black (exterior)	A19/5042-008	8,0-11,0	22	5	2500
		A19/5042-208				5000
		A19/5042-011	11,5-13,5	25	4,5	2500
		A19/5042-211				5000
		A19/5042-016				16,0-17,5
		A19/5042-216	5000			
		Rubber interior	gray (interior)	A19/5042-021	20,76-21,52	24
A19/5042-221	5000					
A19/5042-G-016	16,0-17,5			21,5	4,2	2500
A19/5042-G-216		5000				



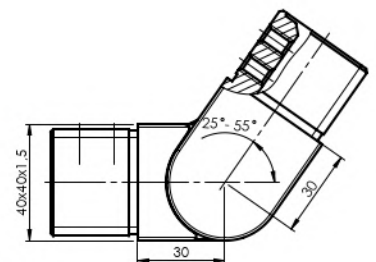
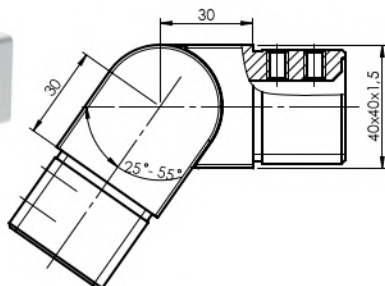
Quality	Finish	art.
AISI304	satin	A/6732-040
AISI316		A14/6732-040

Quality	Finish	art.
AISI304	satin	A/6790-040
AISI316		A14/6790-040



Material	Finish	art.
AISI316	satin	A14/6303-040

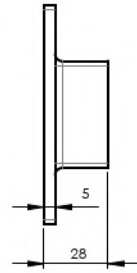
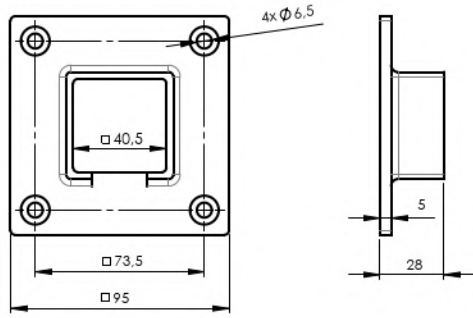
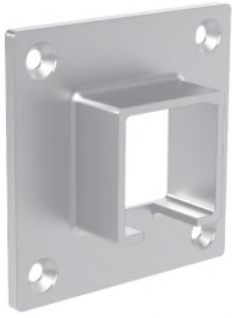
Quality	Finish	art.
AISI304	satin	A/6313-040
AISI316		A14/6313-040



Material	Finish	art.
AISI316	satin	A14/6302-040

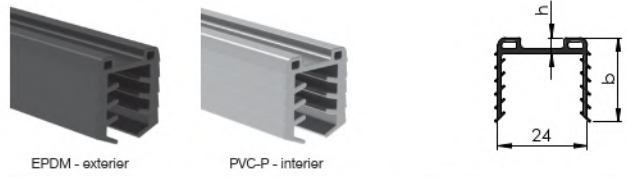
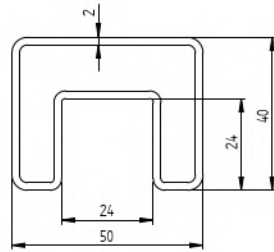
Material	Finish	art.
AISI316	satin	A14/6312-040

MODEL 40x40x1,5



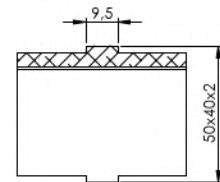
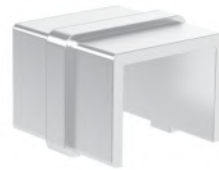
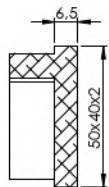
Quality	Finish	art.
AISI304	satin	A/6505-040
AISI316		A14/6505-040

MODEL 50x40x2/AL



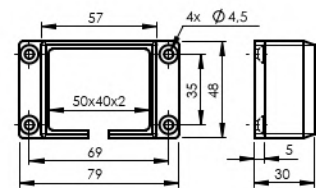
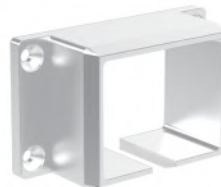
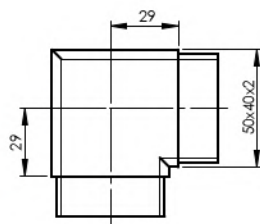
Quality	Finish	art.	Glass t	b	h	L
Rubber	black (exterior)	A19/5042-008	8,0-11,0	22	5	2500
		A19/5042-208				5000
		A19/5042-011	11,5-13,5	25	4,5	2500
		A19/5042-211				5000
		A19/5042-016				16,0-17,5
		A19/5042-216	5000			
		Rubber interior	gray (interior)	A19/5042-021	20,76-21,52	24
A19/5042-221	5000					
A19/5042-G-016	16,0-17,5			21,5	4,2	2500
A19/5042-G-216		5000				

Quality	Finish	Effect	art.	L
ALUMINIUM	satin	silver	AL/6920-540-S-E	6000
		black	AL/6920-540-S-EB	



Quality	Finish	art.	☑
ALUMINIUM	satin	AL/6732-540	50x40x2

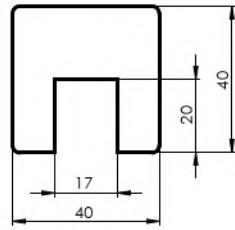
Quality	Finish	art.	☑
ALUMINIUM	satin	AL/6790-540	50x40x2



Quality	Finish	art.	☑
ALUMINIUM	satin	AL/6313-540	50x40x2

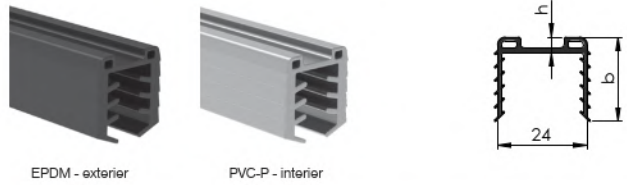
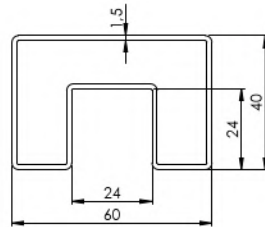
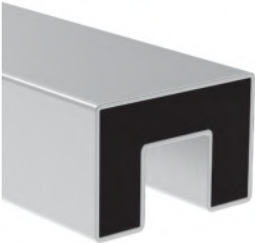
Quality	Finish	art.	☑
ALUMINIUM	satin	AL/6505-540	50x40x2

MODEL 40x40



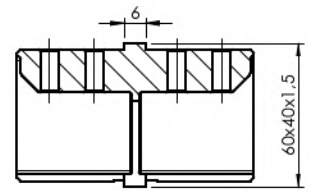
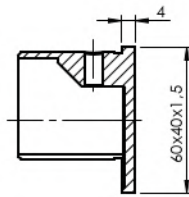
Quality	Finish	art.	L
Beech	natural	WB/6925-040-17	2500
Oak		WD/6925-040-17	

MODEL 60x40x1,5



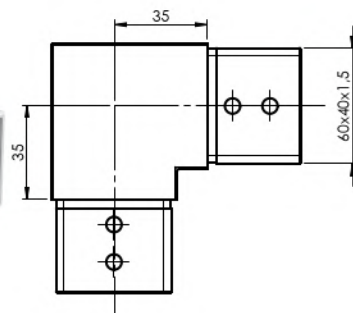
Quality	Finish	art.	L
AISI304	satin	A/6920-640	5000
		A/6925-640	2500
AISI316	satin	A14/6920-640	5000
		A14/6925-640	2500

Quality	Finish	art.	Glass t	b	h	L
Rubber	black (exterior)	A19/5042-008	8,0-11,0	22	5	2500
		A19/5042-208				5000
		A19/5042-011	11,5-13,5	25	4,5	2500
		A19/5042-211				5000
		A19/5042-016				16,0-17,5
		A19/5042-216	5000			
		Rubber interior	gray (interior)	A19/5042-021	20,76-21,52	24
A19/5042-221	5000					
A19/5042-G-016	16,0-17,5			21,5	4,2	2500
A19/5042-G-216		5000				



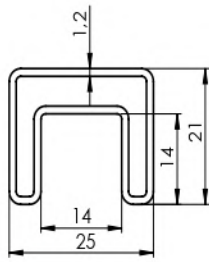
Quality	Finish	art.
AISI304	satin	A/6732-640
AISI316		A14/6732-640

Quality	Finish	art.
AISI304	satin	A/6790-640
AISI316		A14/6790-640

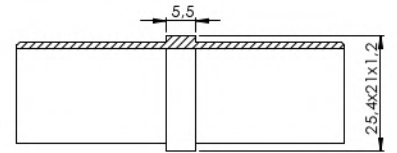
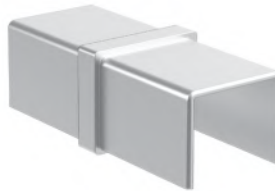
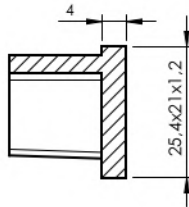


Quality	Finish	art.
AISI316	satin	A14/6313-640

MODEL 25,4x21

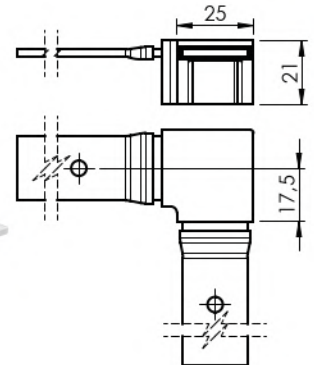
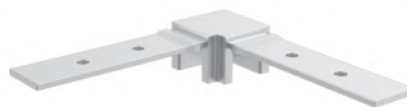
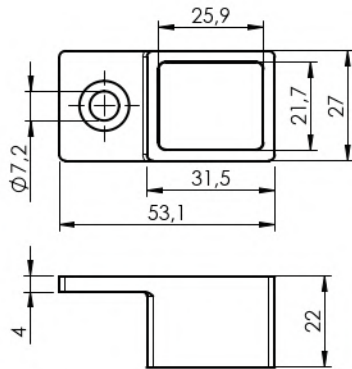
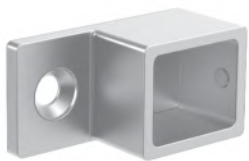


Material	Finish	art.	L	glass t
AISI316	satin	A14/6925-225	2500	<14
		A14/6920-225	5000	



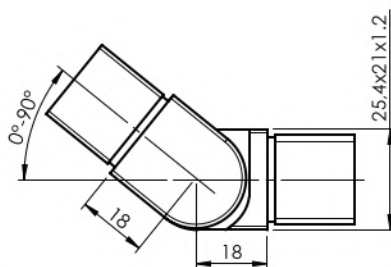
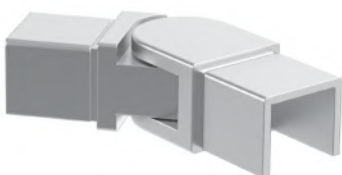
Material	Finish	art.
AISI316	satin	A14/6732-225

Material	Finish	art.
AISI316	satin	A14/6790-225



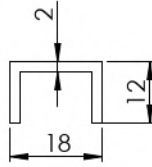
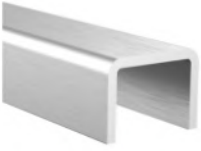
Material	Finish	art.
AISI316	satin	A14/6505-225

Material	Finish	art.
AISI316	satin	A14/6312-225

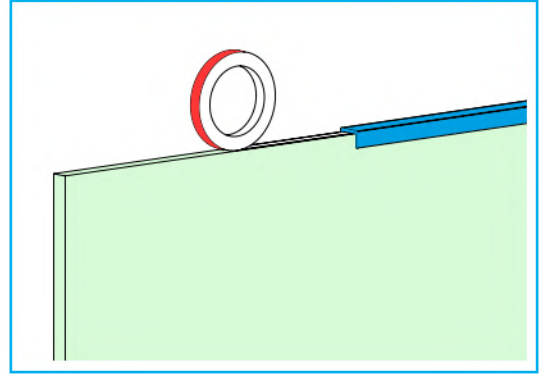


Material	Finish	art.
AISI316	satin	A14/6314-225

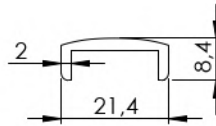
MODEL 18x12x2



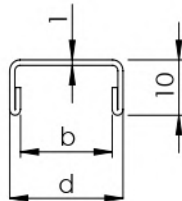
Material	Finish	Effect	art.	L	glass t
ALUMINIUM	satin	ELOX	AL/6901-014-3000-S-E	3000	< 14
			AL/6901-014-6000-S-E	6000	
	natural	Black	AL/6901-014-6000-N-B		



MODEL 22x9x2

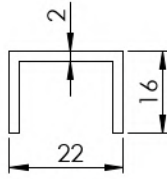


Material	Finish	Effect	art.	L	glass t
ALUMINIUM	satin	ELOX	AL/6901-017-3000-S-E	3000	< 17
			AL/6901-017-6000-S-E	6000	



Material	Finish	Effect	art.	L	b	d	glass t
AISI304	satin	silver	A/6902-014-2500	2500	13,5	17,5	13,52
			A/6902-018-2500		17,5	21,5	17,52
			A/6902-022-2500		21,5	25,5	21,52
			A/6902-014-5000	5000	13,5	17,5	13,52
			A/6902-018-5000		17,5	21,5	17,52
			A/6902-022-5000		21,5	25,5	21,52

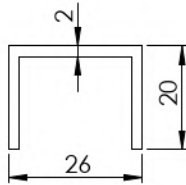
MODEL 22x16x2



Material	Finish	Effect	art.	L	glass t
AISI304	satin		A/6901-018-2500	2500	<18
			A/6901-018-5000	5000	
ALUMINIUM	ELOX		AL/6901-018-3000-S-E	3000	< 18
			AL/6901-018-6000-S-E	6000	
	natural	black	AL/6901-018-6000-N-B		

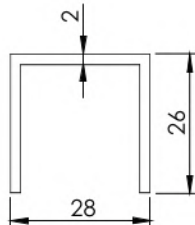
top

MODEL 26x20x2

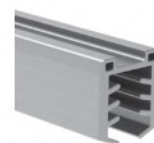


Material	Finish	Effect	art.	L	glass t
ALUMINIUM	satin	ELOX	AL/6901-022-3000-S-E	3000	< 22
			AL/6901-022-6000-S-E	6000	
	natural	black	AL/6901-022-6000-N-B		

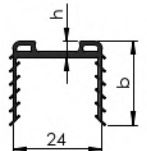
MODEL 28x26x2



EPDM - exterior



PVC-P - interior



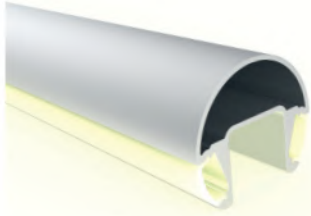
Quality	Finish	art.	L	glass t
AISI304	satin	A/6900-020	2500	< 24
		A/6900-020-EXCLUSIVE		
		A/6905-020	5000	
		A/6905-020-EXCLUSIVE		

Quality	Finish	art.	Glass t	b	h	L
Rubber	black (exterior)	A19/5042-008	8,0-11,0	22	5	2500
		A19/5042-208				5000
		A19/5042-011	11,5-13,5	25	4,5	2500
		A19/5042-211				5000
		A19/5042-016	16,0-17,5	21,5	4,2	2500
		A19/5042-216				5000
		A19/5042-021	20,76-21,52	24	3,5	2500
		A19/5042-221				5000
Rubber interior	gray (interior)	A19/5042-G-016	16,0-17,5	21,5	4,2	2500
		A19/5042-G-216				5000

6

LED
HANDRAILS





**LED HANDRAILS -
ROUND**

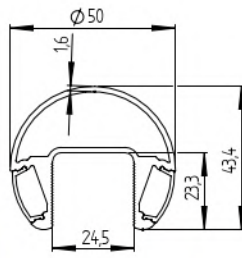
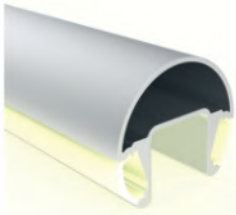


**LED HANDRAIL SETS -
ROUND**

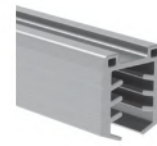


**LED HANDRAIL SETS -
SQUARE**

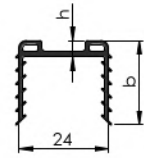
MODEL 50/AL/LED



EPDM - exterior

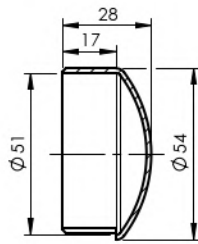


PVC-P - interior

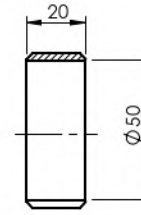


Quality	Finish	Effect	art.	L	
ALUMINIUM	satin	silver	AL/6920-050-LED-S-E	6000	✓
		black	AL/6920-050-LED-S-EB		

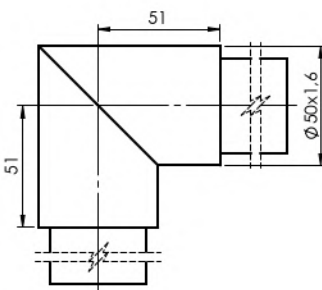
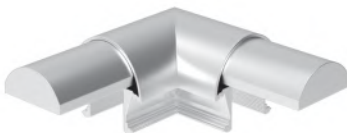
Quality	Finish	art.	Glass t	b	h	L
Rubber	black (exterior)	A19/5042-008	8,0-11,0	22	5	2500
		A19/5042-208				5000
		A19/5042-011	11,5-13,5	25	4,5	2500
		A19/5042-211				5000
		A19/5042-016	16,0-17,5	21,5	4,2	2500
		A19/5042-216				5000
		A19/5042-021	20,76-21,52	24	3,5	2500
A19/5042-221	5000					
Rubber interior	gray (interior)	A19/5042-G-016	16,0-17,5	21,5	4,2	2500
		A19/5042-G-216				5000



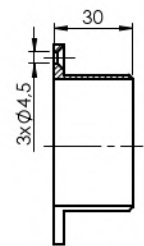
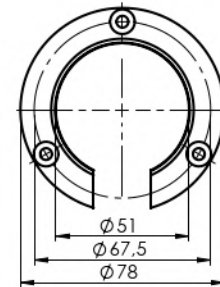
Quality	Finish	art.
ALUMINIUM	satin	AL/6732-050-LED



Quality	Finish	art.
ALUMINIUM	satin	AL/6790-050-LED









Quality	Finish	art.
ALUMINIUM	satin	AL/6313-050-LED



Quality	Finish	art.
ALUMINIUM	satin	AL/6505-050-LED

MODEL **iLED** 

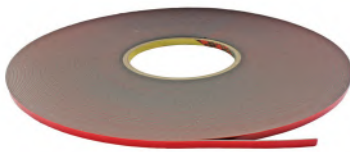
									
						5000K			
	Quality	Finish	Ø	art.	A/6925-042	LED/24x24-24V	YEM/2x0,75-SET	A14/4114-042-LED	A/6732-042
	AISI304	satín	42,4x1,5	A/6920-042-iLED-2500	1x (2500mm)	1x (2500mm)	1x	3x	2x



Quality	Finish	Color	art.	L	a x b	IP	Lumen	Power	Voltage	
PVC + SILICONE	white	5000K	LED/24x24-24V	25m	24 x 24	IP40/IP65*	120lm/m	8W/m	24VDC	✓

art.	L(m)
YEM/2x0,75-SET	0,75

* IP65 using silicone end



art.	t	b	L
Q9/03-0,2x9	0,2	9	50
Q9/03-0,5x9	0,5	9	33

art.	g
A/GLUE-50g-C	50 <i>top</i>

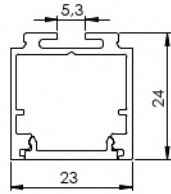


MODEL ROUND

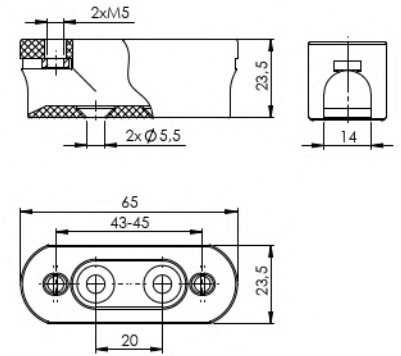
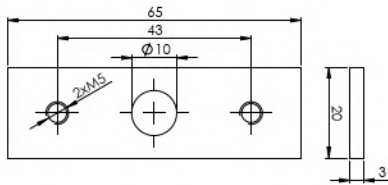
	Quality	Finish	∅	art.	A/6920-042	AL/23x24-5000-LED-SET	A14/PD-LED-23x24	A14/0112-000-LED-B	A/0112-000	A/6732-042
	AISI304	satin	42,4x1,5	A/6920-042-LED-5000-S1	1x (5000mm)	1x (5000mm)	5x	1x	4x	2x

+

art.	A-DIN 7380-A2 M5x12	A-DRILL-M5	A/GLUE-20g
Quantity	20x	1x	1x



Material	Effect	art.	L
ALUMINIUM	raw	AL/23x24-5000-LED-SET	5000

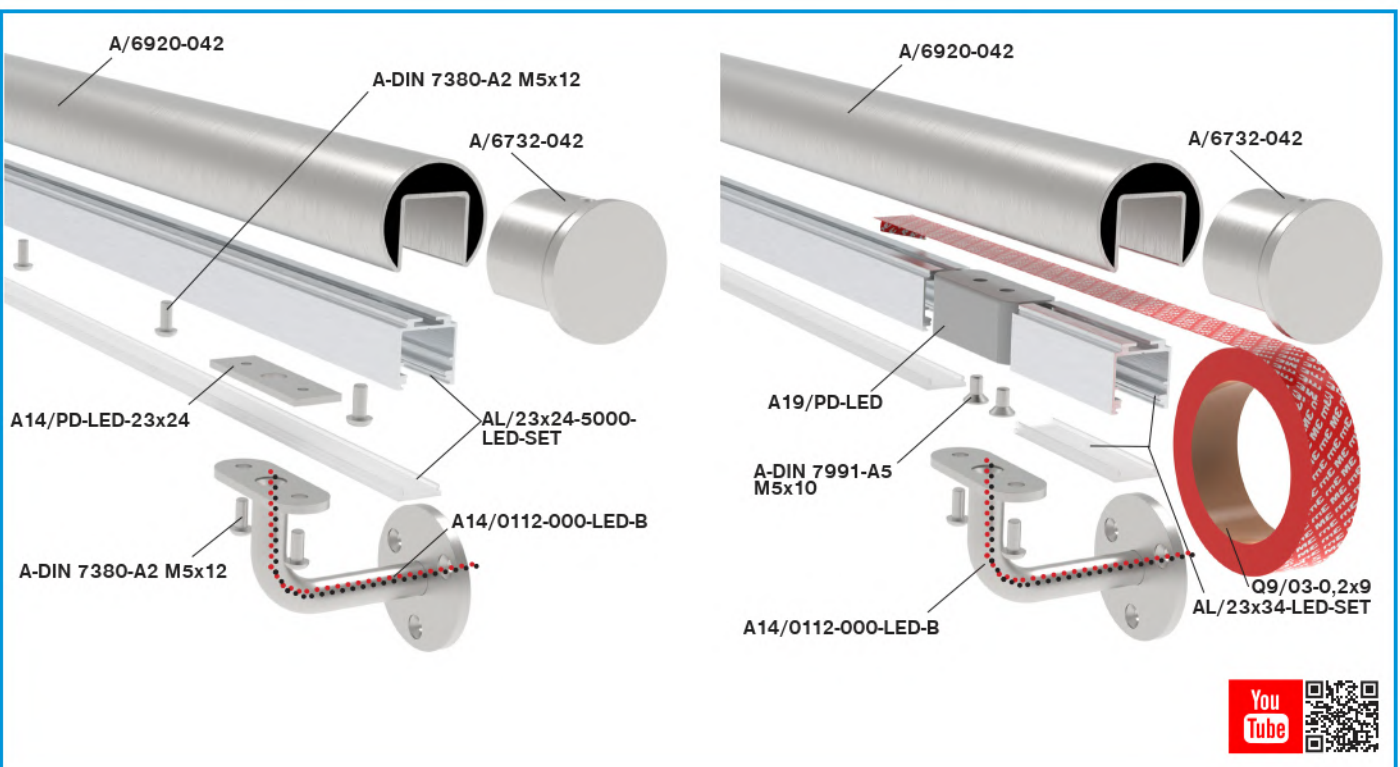


Material	Effect	art.
AISI316	raw	A14/PD-LED-23x24

Quality	Finish	art.
PVC	Black	A19/PD-LED

6

LED HANDRAILS

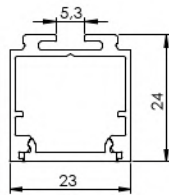


MODEL SQUARE

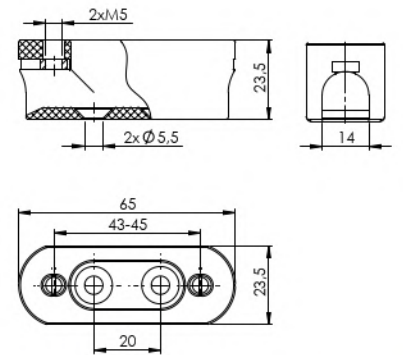
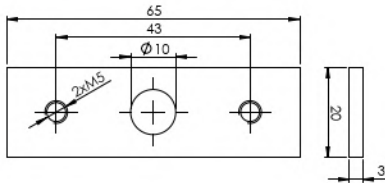
	Quality	Finish	art.	A/6920-040	AL/23x24-5000-LED-SET	A14/PD-LED-23x24	A/4111-000-LED	A/4732-040
	AISI304	satın	40x40	A/6920-040-LED-5000-S1	1x (5000mm)	1x (5000mm)	5x	5x

+

	art.	A-DIN 7380-A2 M5x12	A-DRILL-M5	A/GLUE-20g
Quantity	20x	1x	1x	



Material	Effect	art.	L
ALUMINIUM	raw	AL/23x24-5000-LED-SET	5000



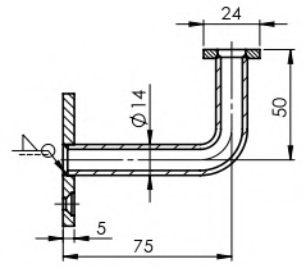
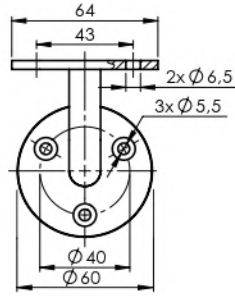
Material	Effect	art.
AISI316	raw	A14/PD-LED-23x24

Quality	Finish	art.
PVC	Black	A19/PD-LED

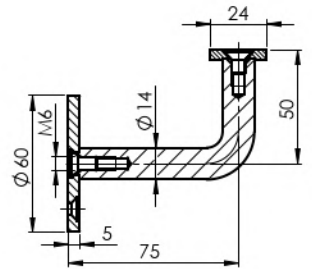
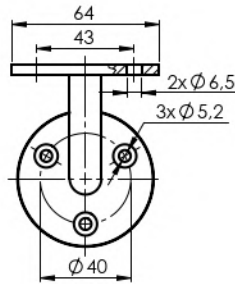
A/6920-040
A-DIN 7380-A2 M5x12
A/6732-040
A14/PD-LED-23x24
AL/23x24-5000-LED-SET
A/4111-000-LED-B
A-DIN 7380-A2 M5x12

A/6920-040
A/6732-040
A19/PD-LED
A-DIN 7991-A5 M5x10
A/4111-000-LED
Q9/03-0,2x9
AL/23x34-LED-SET

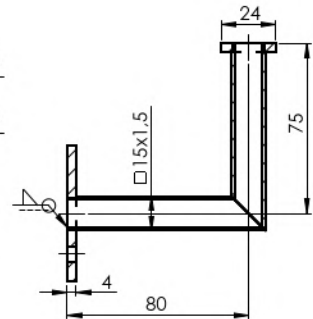
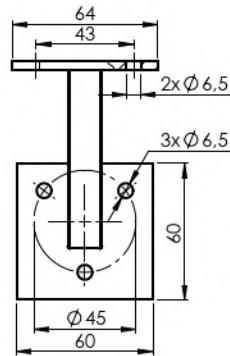
SYSTEM SCREW



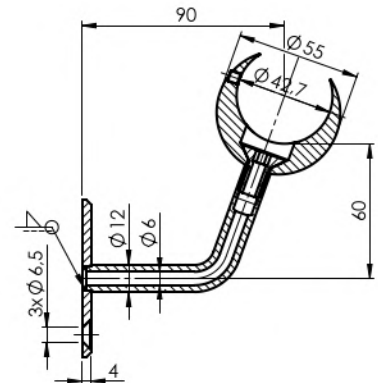
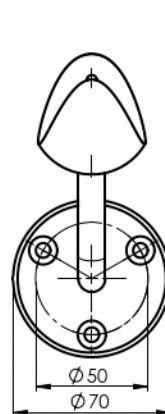
Quality	Finish	art.
AISI316	satin	A14/0112-000-LED-B



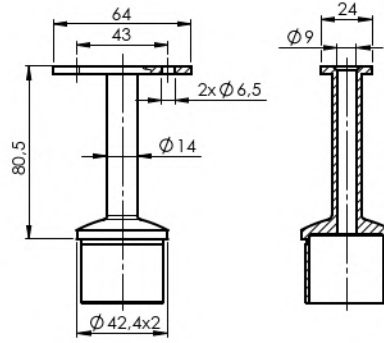
Quality	Finish	art.
AISI304	satin	A/0112-000
AISI316		A14/0112-000



Quality	Finish	art.
AISI304	satin	A/4111-000-LED



Quality	Finish	art.
AISI316	satin	A14/4114-042-LED



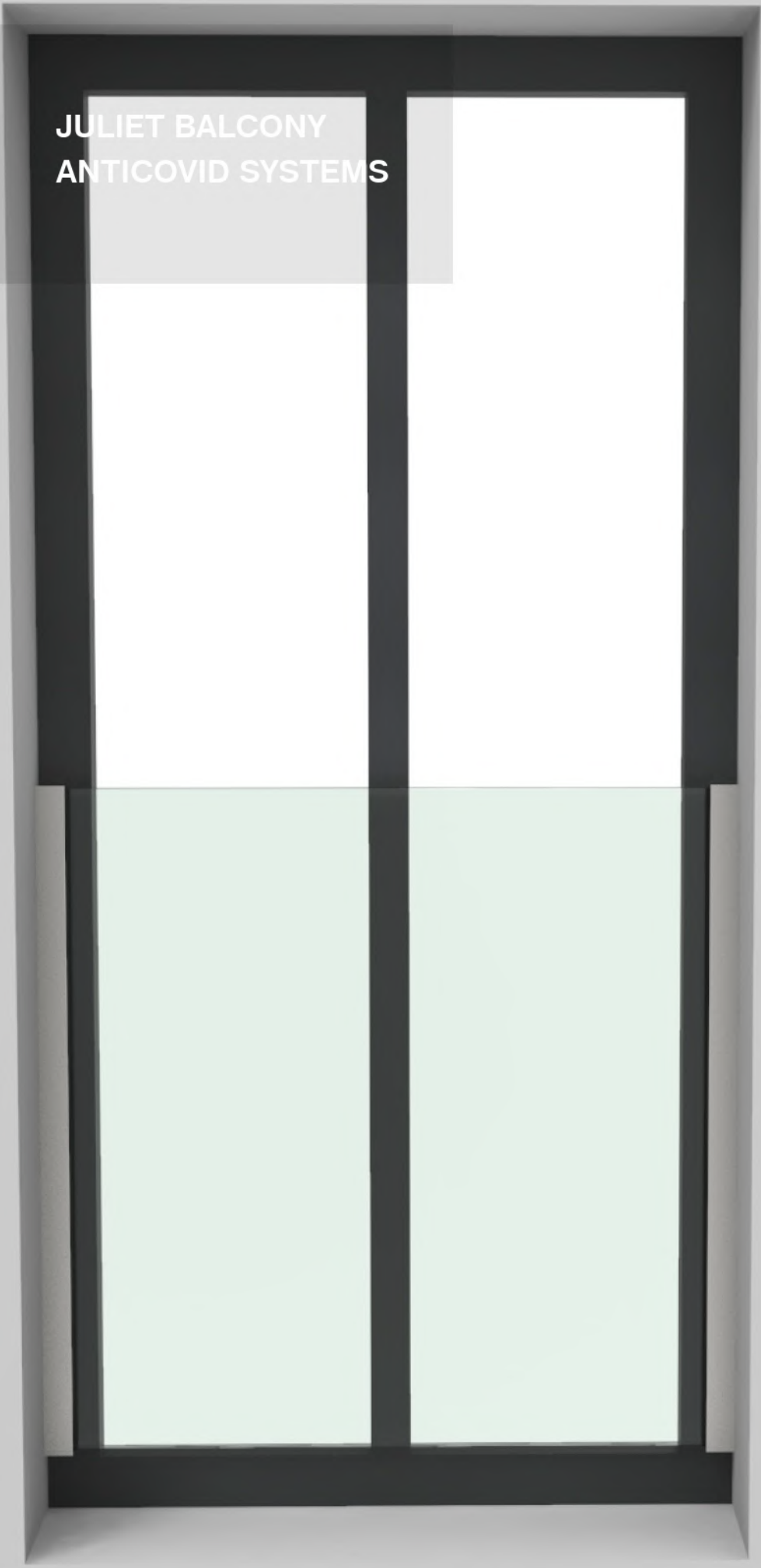
Quality	Finish	art.
AISI304	satın	A/0710-242-LED

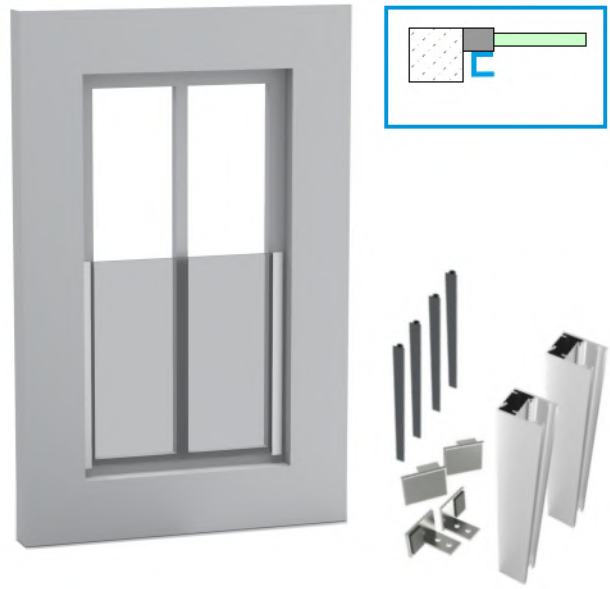
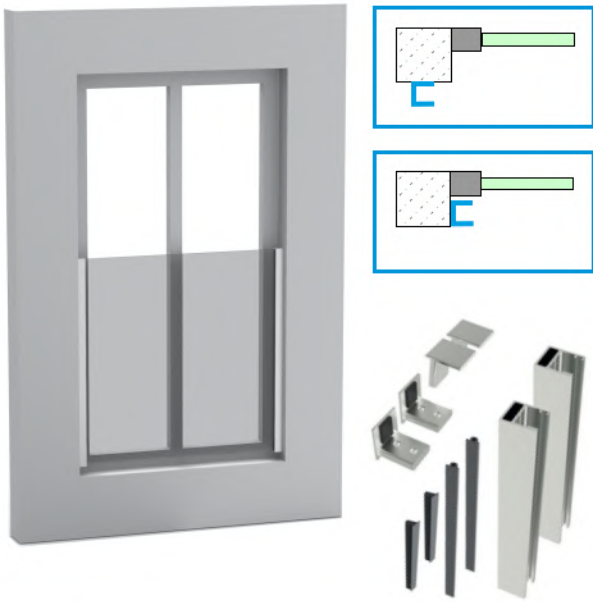




7

JULIET BALCONY
ANTICOVID SYSTEMS



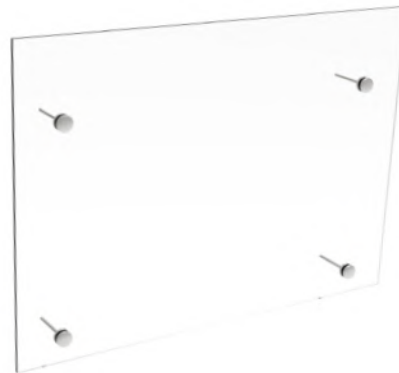
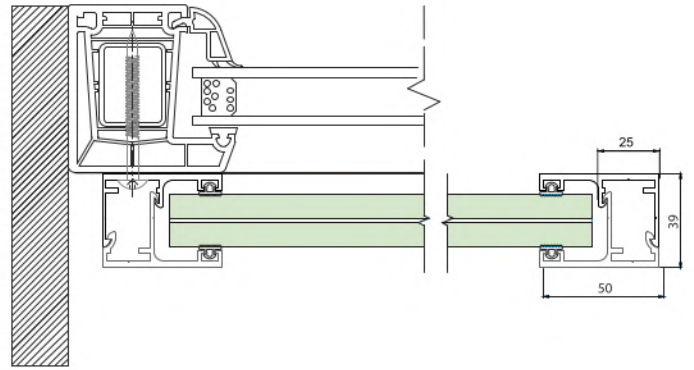
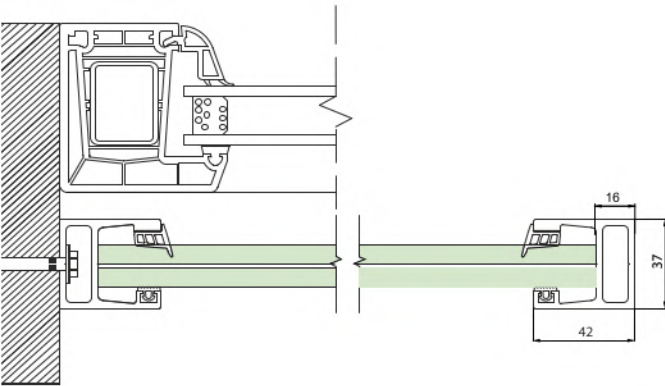


Quality	Finish	art.	Glass t	L
AISI304	satın	GS/FRB10-100-BK	10,76-21,52	1000

Quality	Finish	art.	Glass t	L
AISI304	satın	GS/FRB10-100-ZK	10,76-21,52	1000

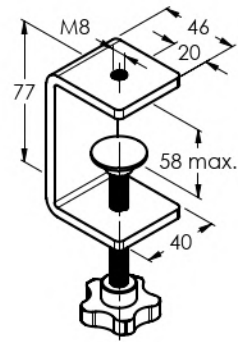
Accessories				
Quantity	1x pair	1x pair	1x pair	3x pair

Accessories				
Quantity	1x pair	1x pair	1x pair	3x pair



Quality	Finish	art.	Glass t	L	
AISI304	satın	GS-304/FRB2-800x2500-040	8,76	2500	✓
		GS-304/FRB2-800x2500-042			✓

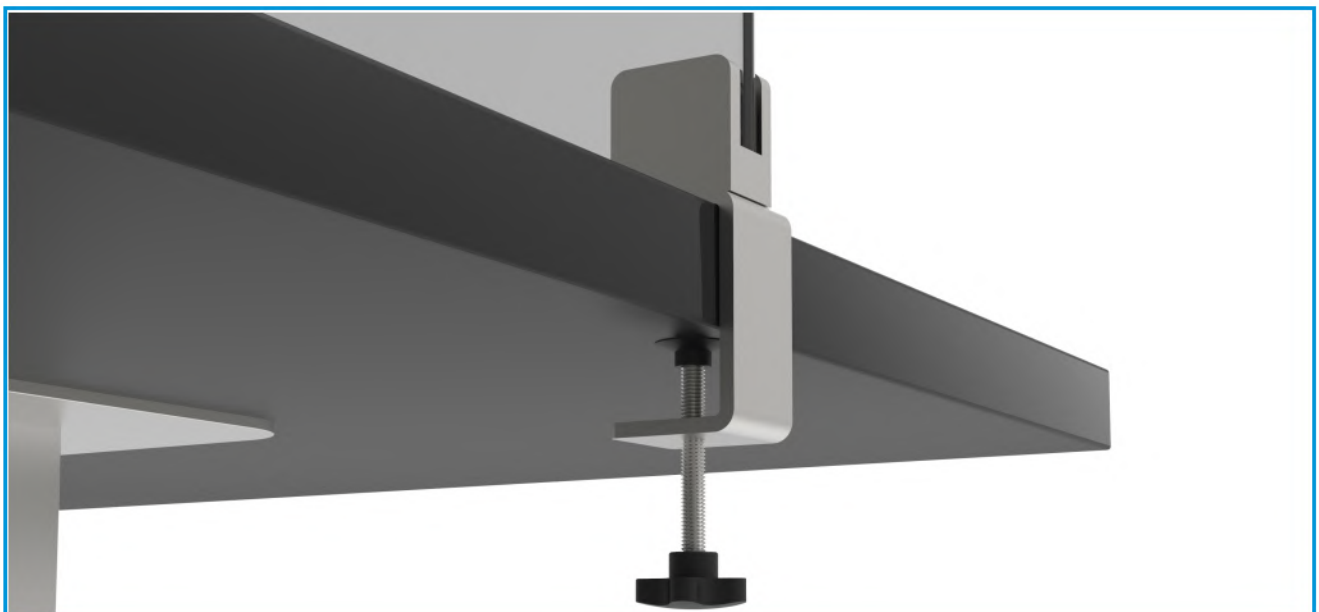
Quality	Finish	art.	Glass t	Dimensions
AISI304	satın	GS/FRB1-140x100-12,76	12,76	1400x1000

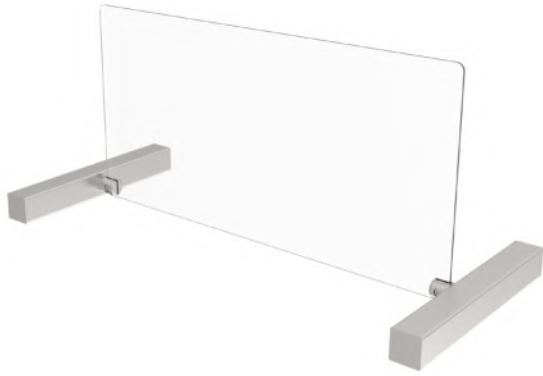


Quality	Finish	art.
AISI304	satın	A6/2xM8-77x40

A/2100-000 Variant A	A/2000-000 Variant B	A/19/21-00.. Variant A	A/19/20-00.. Variant B

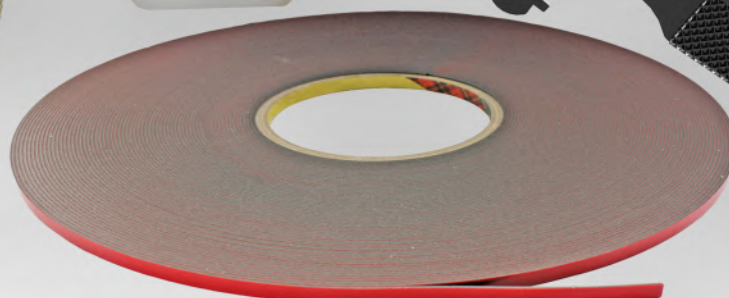
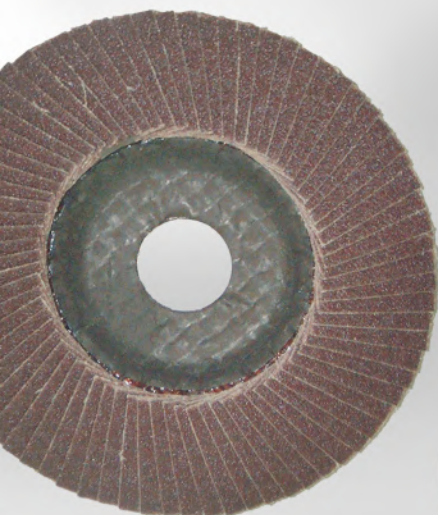
A6-2xM8-77x40	A/2100-000 Variant A	A-DIN 7380-A2..	A/19/21-00.. Variant A	A/19/04-PVC	GLASS
1x	1x	1x	2X	2X	Optional





8

ACCESSORIES

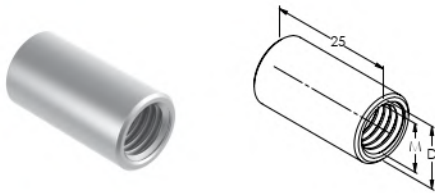




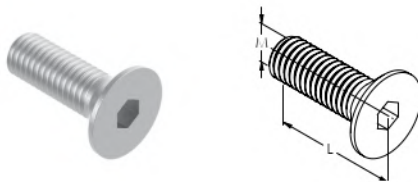
Quality	Finish	art.	M	L
AISI304	raw	A-DIN 914-A2 M5x5	5	5
		A-DIN 914-A2 M6x6	6	6
AISI316		A4-DIN 914 M5x5	5	5



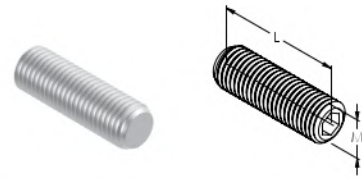
Quality	Finish	art.
AISI304	raw	A-DIN 916-A2 M10x14
AISI316		A4-DIN 916 M10x14



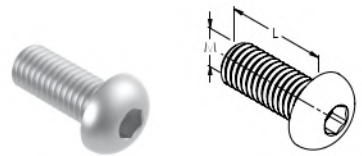
Quality	Finish	art.	M	D
AISI304	raw	A-DIN 6334V M8x25-A2	8	11
		A-DIN 6334V M10x25-A2	10	13



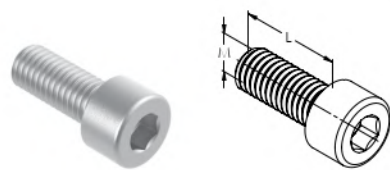
Quality	Finish	art.	M	L
steel 8.8	Zn	DIN 7991 M8x20-Zn	8	20
		DIN 7991 M12x30-Zn	12	30
AISI304	raw	A-DIN 7991-A2 M5x12		12
		A-DIN 7991-A2 M5x16	5	16
		A-DIN 7991-A2 M5x20		20
		A-DIN 7991-A2 M6x8		8
		A-DIN 7991-A2 M6x14		14
		A-DIN 7991-A2 M6x16	6	16
		A-DIN 7991-A2 M6x20		20
		A-DIN 7991-A2 M6x40		40
		A-DIN 7991-A2 M8x12		12
		A-DIN 7991-A2 M8x35	8	35
AISI316		A4-DIN 7991 M5x16	5	16
		A4-DIN 7991 M6x14	6	14
		A4-DIN 7991 M6x40		40
		A4-DIN 7991 M8x20		20
		A4-DIN 7991 M8x70	8	70
		A4-DIN 7991 M10x20	10	20
		A4-DIN 7991 M12x30	12	30



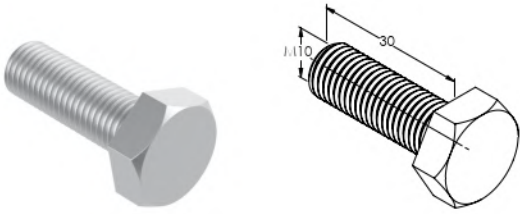
Quality	Finish	art.	M	L
AISI304	raw	A-DIN 913-A2 M6x10	6	10
		A-DIN 913-A2 M6x12		12
		A-DIN 913-A2 M8x16	8	16
		A-DIN 913-A2 M8x20		20
		A-DIN 913-A2 M8x25		25
		A-DIN 913-A2 M8x30		30
		A-DIN 913-A2 M8x40	10	40
		A-DIN 913-A2 M8x80		80
		A-DIN 913-A2 M10x12	10	12
		A-DIN 913-A2 M10x35		35
AISI316		A-DIN 913-A2 M10x100		100
		A4-DIN 913 M5x5	5	5
		A4-DIN 913 M6x10	6	10
		A4-DIN 913 M6x12		12
		A4-DIN 913 M10x12	10	12
A4-DIN 913 M10x55	55			



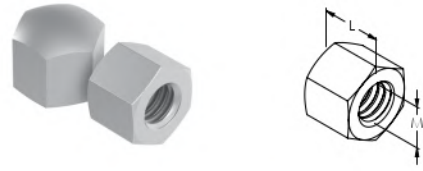
Quality	Finish	art.	M	L
steel 8.8	Zn	DIN 7380 M10x20 8.8-Zn	10	20
AISI304	raw	A-DIN 7380-A2 M5x12	5	12
		A-DIN 7380-A2 M6x12	6	
		A-DIN 7380-A2 M8x10		10
		A-DIN 7380-A2 M8x12	8	12
		A-DIN 7380-A2 M8x20		
		A-DIN 7380-A2 M10x20	10	20
AISI316		A-DIN 7380-A2 M12x20	12	
		A4-DIN 7380 M5x12	5	12
		A4-DIN 7380 M5x16		16
		A4-DIN 7380 M6x12	6	12
		A4-DIN 7380 M8x20	8	20
		A4-DIN 7380 M10x20	10	



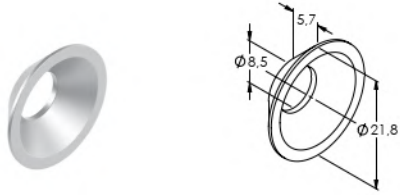
Quality	Finish	art.	M	L
AISI304	raw	A-DIN 912-A2 M5x20	5	20
		A-DIN 912-A2 M8x20	8	
		A-DIN 912-A2 M12x25	12	25
		A-DIN 912-A2 M12x35		35



Quality	Finish	art.
steel 8.8	Zn	DIN 933 M10x30 8.8-Zn
AISI316	raw	A4-DIN 933 M10x30



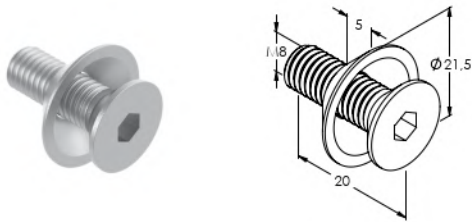
Quality	Finish	art.	M	L
AISI304	raw	A-DIN 917 M8	8	10
		A-DIN 917 M10	10	12



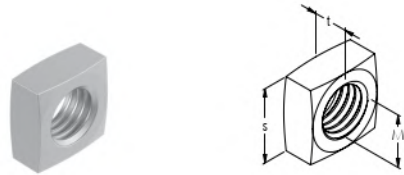
Quality	Finish	art.
AISI316	raw	A14/O8-WASHER



Quality	Finish	art.	M	L
AISI304	raw	A-DIN 934 M8	8	6,5
		A-DIN 934 M10	10	8
		A-DIN 934 M12	12	10
AISI316		A4-DIN 934 M10	10	8



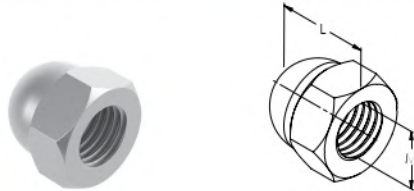
Quality	Finish	art.
steel 8.8	Zn	W-DIN 7991 M8x20-P
AISI316	raw	W-DIN 7991-A4 M8x20-P



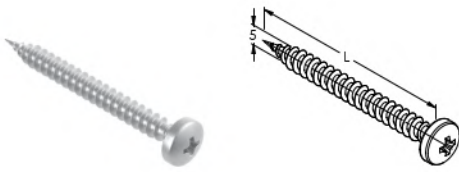
Quality	Finish	art.	M	s	t
AISI304	raw	A-DIN 562 M6	6	10	3,2
		A-DIN 562 M8	8	13	4
		A-DIN 562 M10	10	17	5



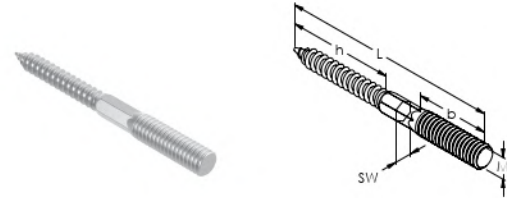
Quality	Finish	art.	d	t
steel	Zn	DIN 125 10-Zn	10	2
		DIN 9021 10-Zn		2,5
AISI304	raw	A-DIN 125-A2 M5	5	1
		A-DIN 125-A2 M8	8	1,6
		A-DIN 125-A2 M10	10	2
		A-DIN 9021-A2 M10		2,5
		A-DIN 125-A2 M12	12	2,5
		A-DIN 433-A2 M12		2



Quality	Finish	art.	M	L
AISI304	raw	A-DIN 1587-A2 M6	6	12
		A-DIN 1587-A2 M8	8	15
		A-DIN 1587-A2 M10	10	18
AISI316		A4-DIN 1587 M10	10	18



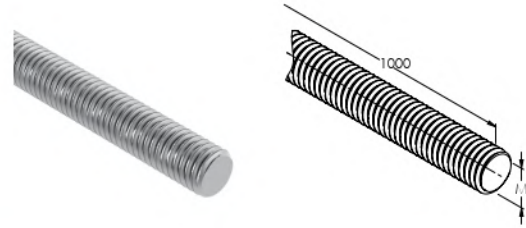
Quality	Finish	art.	L
AISI304	raw	A-PH 5x20	20
		A-PH 5x35	35



Quality	Finish	art.	M	L	b	h	SW
AISI304	raw	A-DIN 9210 M8x60-A2	8	60	20	37	-
AISI316		A-DIN 9210 M10x100-A2	10	100	30	57	✓
AISI316	raw	A4-DIN 9210 M8x60	8	60	20	37	-



Quality	Finish	art.	L
AISI304	raw	A-DIN 7505A 5x20	20
		A-DIN 7505A 5x35	35



Quality	Finish	art.	M
AISI304	raw	A-DIN 975 M6	6
		A-DIN 975 M8	8
		A-DIN 975 M10	10
		A-DIN 975 M12	12
AISI316	raw	A4-DIN 975 M10	10



Quality	Finish	art.	M	L
AISI304	raw	A-FTT-M5	5	12
		A-FTT-M6	6	14
		A-FTT-M8	8	16,5
		A-FTT-M10	10	19



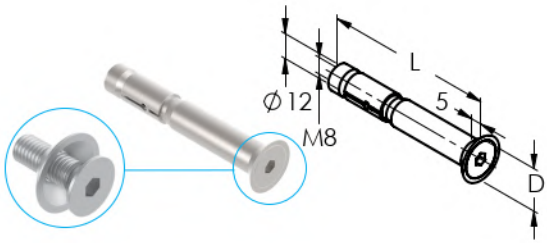
Quality	Finish	art.
AISI304	raw	A-DIN 7337-A2 4,8x20



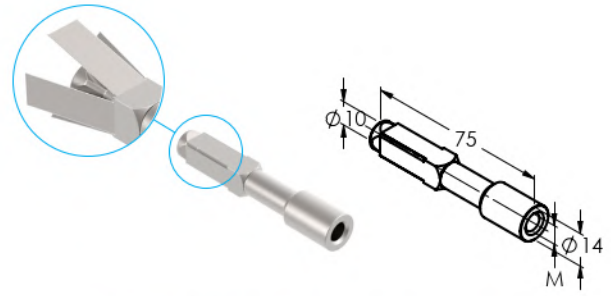
Quality	Finish	art.	M
steel	Zn	WOOD/M8-D	8
		WOOD/M10-D	10



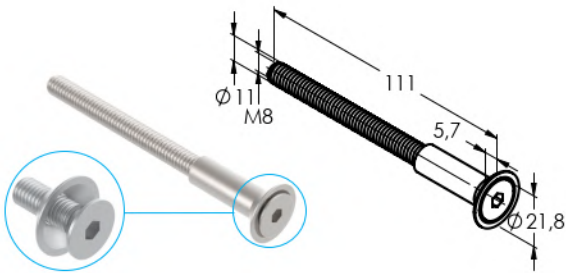
Quality	Finish	art.
PVC	satin	A19/04-PVC
	polish	A19/04-PVC-L
	raw	A12/12-PVC
		A12/12-35-PVC



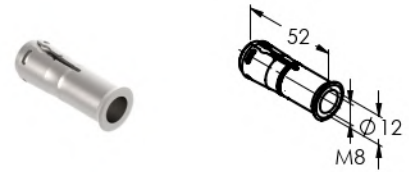
Quality	Finish	art.	L	D/v
steel	Zn	Q5/08-HAZ-M8-80SK/S	80	20,5/5
		Q5/08-FH12-50	125	22/5,8
AISI316	raw	A5/08-HAZ-M8-80SK/A4	80	20,5/5



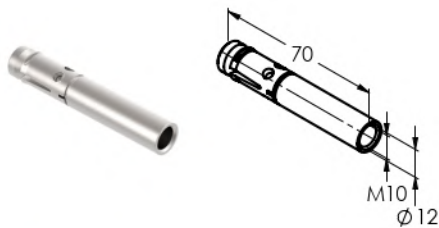
Quality	Finish	art.	M
steel	raw	Q11/FPX-M8	8
		Q11/FPX-M10	10



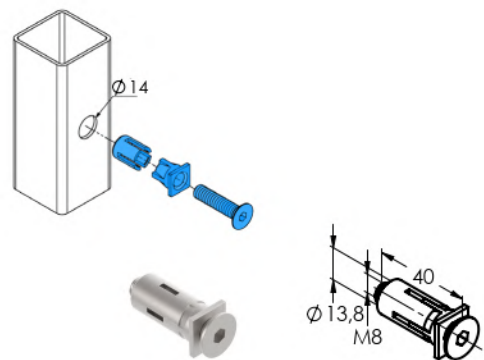
Quality	Finish	art.
AISI304	raw	A5/08-105x11xM8



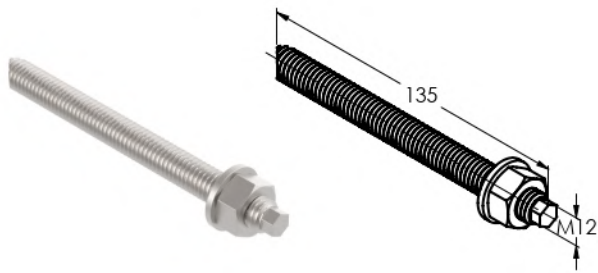
Quality	Finish	art.
steel	Zn	Q5/08-TNTR08-8x52



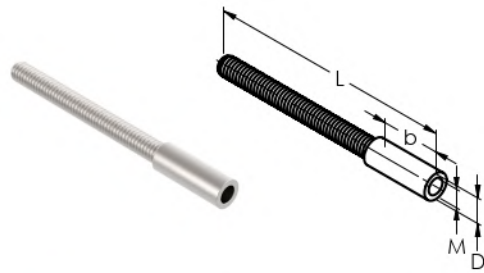
Quality	Finish	art.
steel	Zn	Q5/08-FAZ-IG-M10-70/S
AISI316	raw	A5/08-FAZ-IG-M10-70/A4



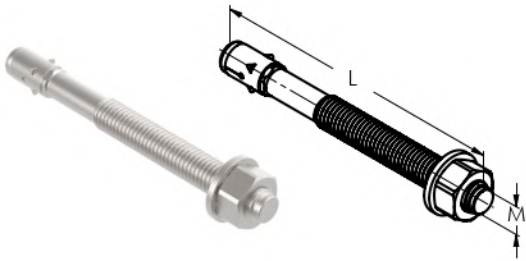
Quality	Finish	art.
steel	Zn	Q5/09-Quick-Fix QF5



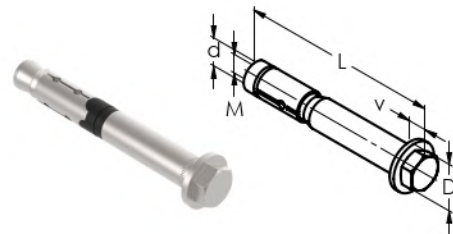
Quality	Finish	art.
steel 5.8	Zn	Q5/08-VM250-M12-135
AISI316	raw	A5/08-VM250-M12-135-A4



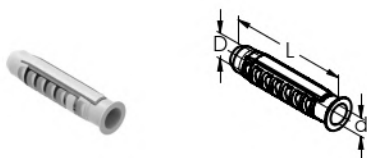
Quality	Finish	art.	M	L	D	b
AISI304	raw	A19/27-M8	8	140	11	15
		A19/27-M10	10		13	
		A19/27-M12	12	130	15	25



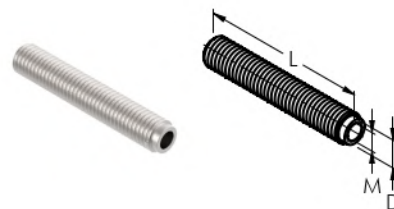
Quality	Finish	art.	M	L
steel	Zn	Q5/06-8x100CE	8	92
		Q5/06-10x120CE	10	120
	raw	Q5/08-FBN12-30	12	126
	Zn	Q5/06-16x123CE	16	123
		Q5/06-16x138CE	16	138
AISI304	raw	A-Q5/06-10x120CE	10	120



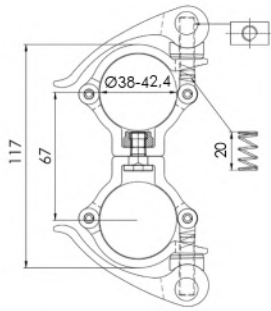
Quality	Finish	art.	M	L	d	D/v
steel	Zn	Q5/08-HAZ-M8-85S/S	8	85	12	20/7,5
	raw	Q5/08-FH15/25 S	10	89	15	25/9,5
		Q5/08-HAZ-M10-106S/S	10	106	15	25/9,5
AISI316	raw	A5/08-HAZ-M8-85S/A4	8	85	12	20/7,5
		A5/08-HAZ-M10-106S/A4	10	106	15	25/9,5



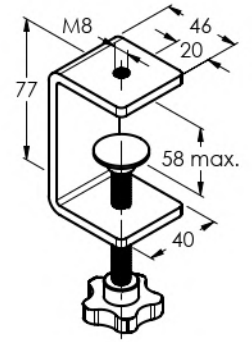
Quality	Finish	art.	D	d	L
NYLON	gray	Q5/07-8 NYLON	8	2,5-4	40
		Q5/07-10 NYLON	10	3-6	50
		Q5/07-12 NYLON	12	4-8	60



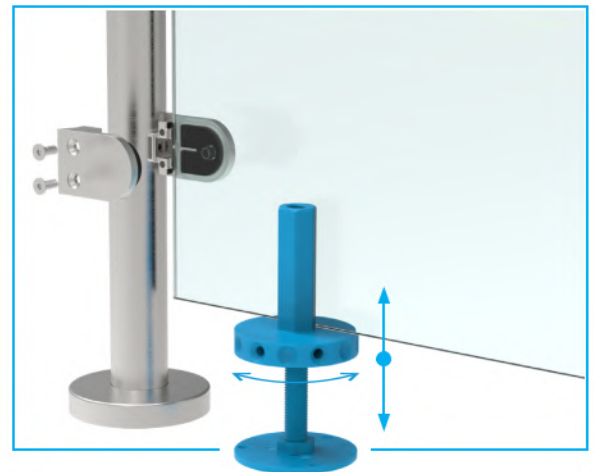
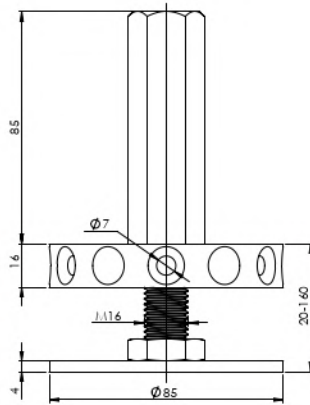
Quality	Finish	art.	M	L	D
steel 5.8	Zn	Q5/08-VHG-M8-100/S	8	100	12
		Q5/08-VHG-M10-80/S	10	80	16
		Q5/08-VHG-M12-125/S	12	125	20
AISI316	raw	A5/08-VHG-M8-100/A4	8	100	12
		A5/08-VHG-M10-80/A4	10	80	16
		A5/08-VHG-M12-125/A4	12	125	20



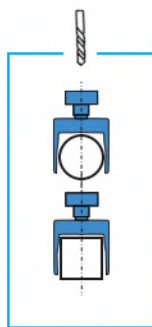
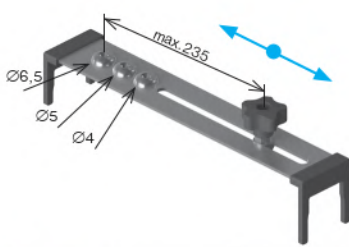
Quality	Finish	art.
ALUMINIUM	satin	AL/0792-3842



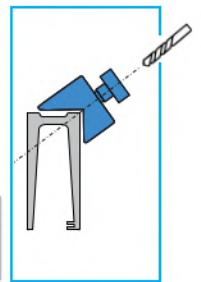
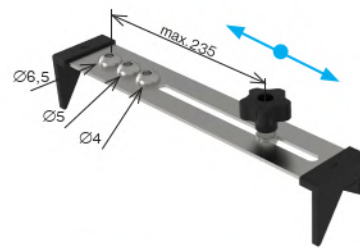
Quality	Finish	art.
AISI304	satin	A6/2xM8-77x40



Quality	Finish	art.	description
Fe	Zinc	MP/GLASS-01	glass mount on post railings



Quality	art.	Ø	□
AISI304	A/40580-PLASTIC	42,4	40



Quality	art.	compatibility
AISI304	A/40580-PLASTIC-V2	AL/0004... AL/0004-eco... AL/0004-PRO...



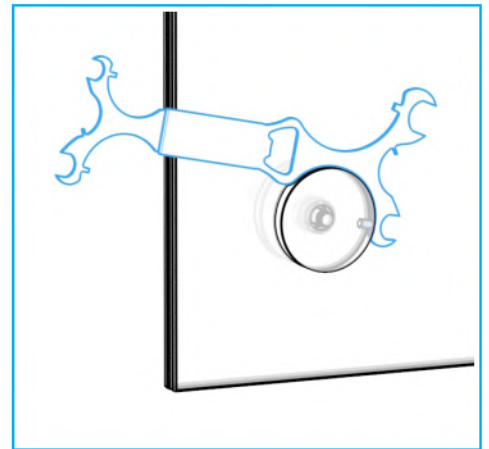
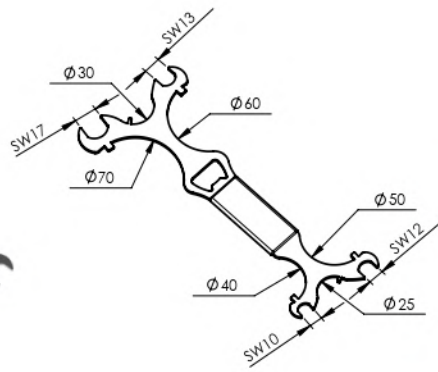
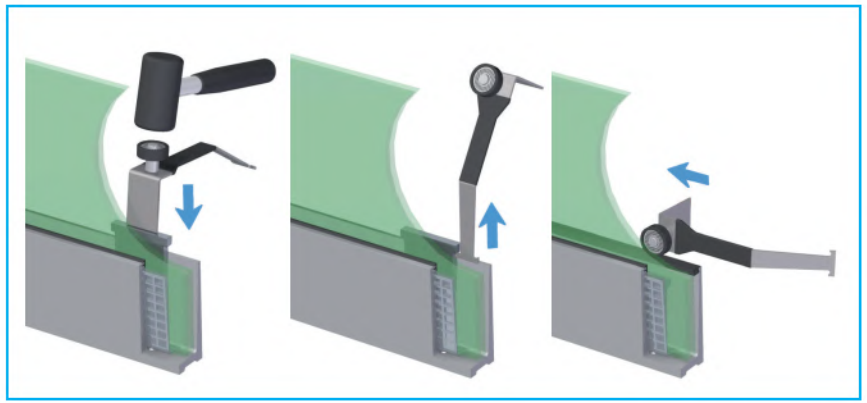
art.	Ø	description
Q1/B02-INOX	3-45	Pipe cutting



art.	compatibility
Q1/B02-INOX-RK	Q1/B02-INOX



art.
AL/glass-mont



Quality	Finish	art.
AISI304	raw	A19/model741-8



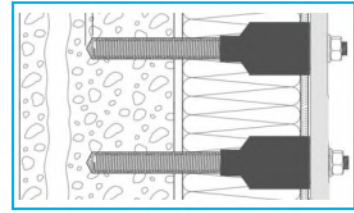
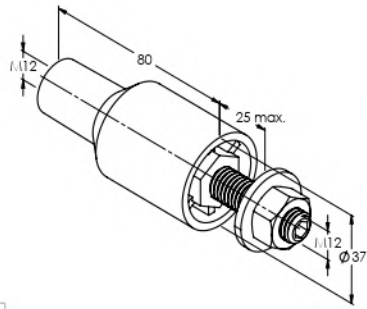
art.	glass t
AL/GLASS-HOLDER	1-70mm



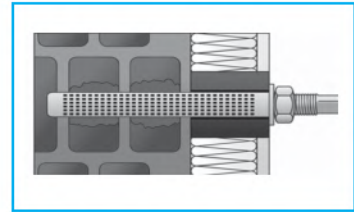
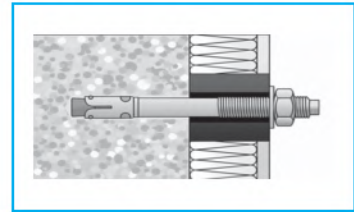
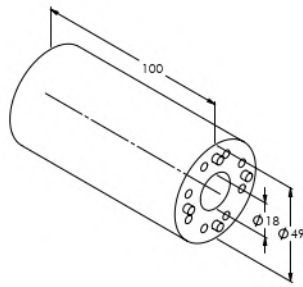
art.	total length	ext. square
Q8/70-275-PRO	275mm	1/4"



art.
AL/glass-mont-PRO



Quality	Finish	art.	M
AISI304	raw	Q10/Therm-M12/M12	12-12
		Q10/Therm-mini-M10/M8	10-8



Quality	Finish	art.
PVC	black	A19/05-100





art.	ml	quality	description
Q5/01GF-300 Nordic			-20°C +10°C
Q5/01GF-400 Nordic		vinylester	
Q5/01GF-300			-10°C +30°C
Q5/01GF-400			



art.	ml	quality	description
Q5/01TK-300 Winter			-20°C +10°C
Q5/01TK-400 Winter		vinylester	
Q5/01TK-300			0°C +35°C
Q5/01TK-400			



art.	ml	quality	description
Q5/01GFP-300			-5°C +30°C
Q5/01GFP-400		Polyester	



art.	ml	quality	description
Q5/05TR-310		Silicone	-5°C +40°C



art.	ml	quality	description
Q5/01-WIT-UH300...	320	uretan vinylester	-5°C +40°C
Q5/01-WIT-VM250...	300	vinylester	-10°C +40°C



art.	M	L
Q5/04	17	215



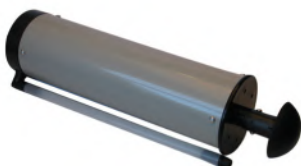
art.	description
Q5/03-300	300ml, hobby



art.	description
Q5/03-400	400ml, profi



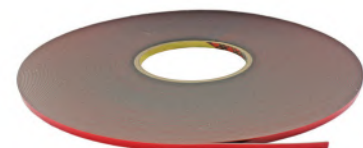
art.	description
Q5/01-16x130	mesh



art.	description
Q5/02	blow pump



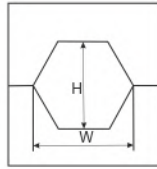
art.	t	b	L
Q9/03-3x12	3	12	16,5



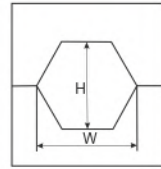
art.	t	b	L
Q9/03-0,2x9	0,2	9	50
Q9/03-0,5x9	0,5	9	33



art.	Mould size	W	H
Q8/95	10	6	5,3
	16	7,3	6,4
	25	9	7,6
	35	11	9,2
	50	13	10,8
	70	13,5	12
	95	17	14,5
	120	19	16



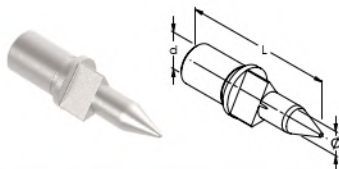
art.	Mould size	W	H
Q8/95-1	4	4	3
	6	5	3,5
	8	6	4,5
	10	6,5	5,4
	16	8,5	6,4
	25	10	7,4
	35	12	8,4
	50	14	10
	70	16	12



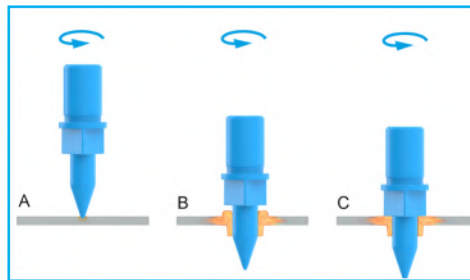
Quality	art.	M	Ø
HSS-CO5	A-DRILL-M5	5	4
	A-DRILL-M6	6	4,8
	A-DRILL-M8	8	6,4



Quality	art.	M
HSSE	Q8/SCREW-M8	8
	Q8/SCREW-M10	10



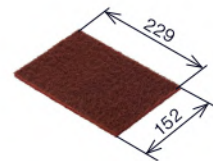
Quality	art.	M
HSSE	A/FDRILL-M5C	5
	A/FDRILL-M6C	6
	A/FDRILL-M8C	8
	A/FDRILL-M10C	10



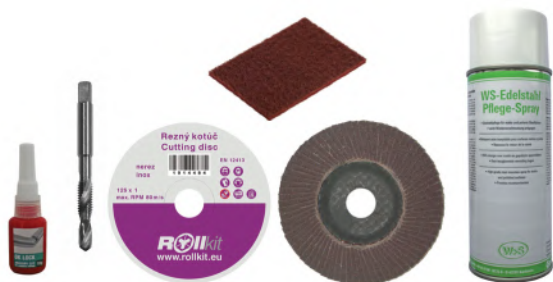
art.	description
Q1/RN01-125x1	cutting disc <i>top</i>



art.	description
Q1/L01-125-40	flap disc
Q1/L01-125-80	flap disc
Q1/L01-125-120	flap disc



art.	granularity
Q1/G01	360



art.
Q/INOX-INSTALL-SET



art.	PCS
A/Glue-10g-C	1x
A-DRILL-M5	
Q1/RN01-125x1	
Q1/L01-125-40	
Q1/G01	
A/spray-WS	



art.	g	gap	description
A/Glue-10g-C	10	0,2	INOX



art.	g	gap	description
A/Glue-20g	20	0,2	all purpose superfast



art.	g	gap	description
A/GLUE-50g-C	50	0,2	INOX
A/GLUE-50g-D		0,4	INOX



art.	ml	description
W/glue-25ml	25	wood



art.	g	description
A/ACTIVATOR-50g	50	for A/Glue..
CA/ACTIVATOR	1000	corten effect
CA/LAK	1000	lacquer for corten



art.	ml	description
A/spray-WS	400	INOX <i>top</i>



art.	ml	description
A/Cleaner-500ml	500	INOX



Art.
PNL/G03-30x42



GS/SAMPLE...



Art.
PNL/GLASS-AD-01-2017



Art.
REK-CASE-ALU



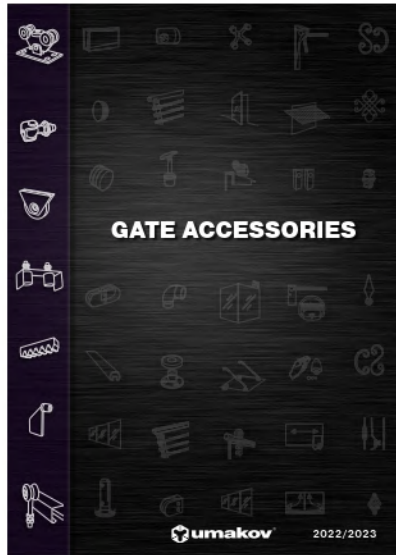
Art.
REK-CASE-ALU-PRO



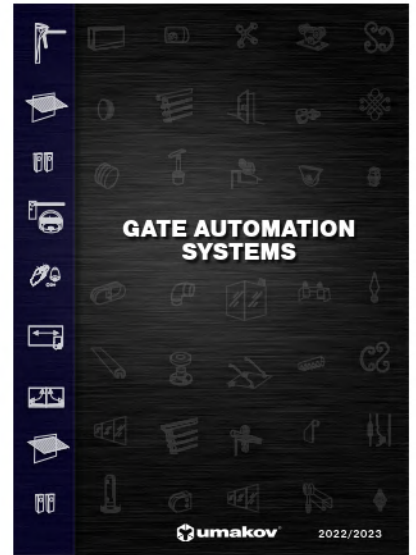
Art.
REK-CASE-INOX3



Art.
kat-Forged-2022/23



Art.
kat-Gates-2022/23



Art.
kat-Automations-2022/23



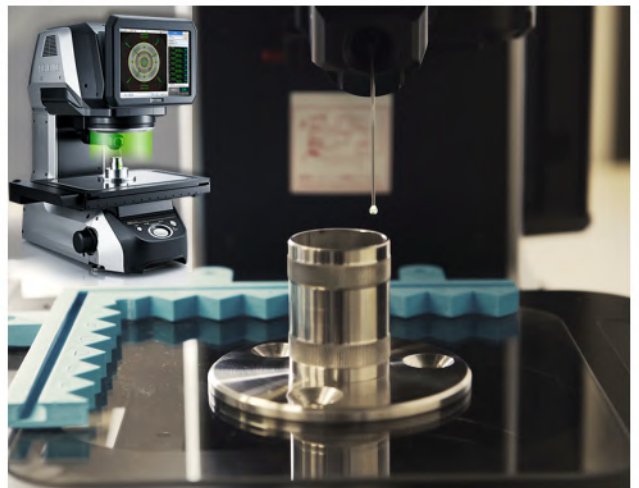
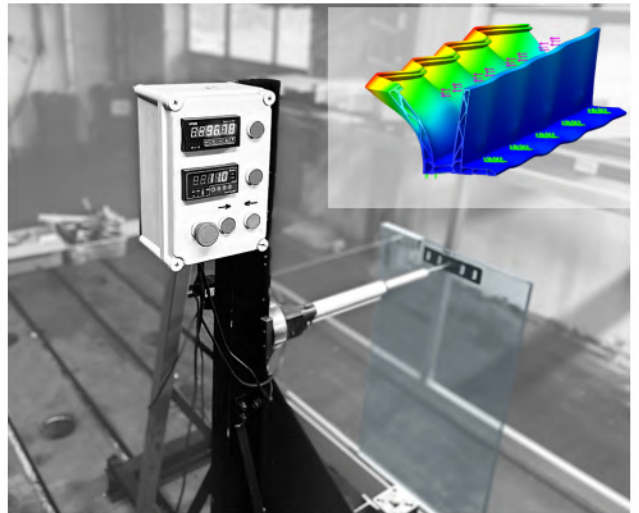
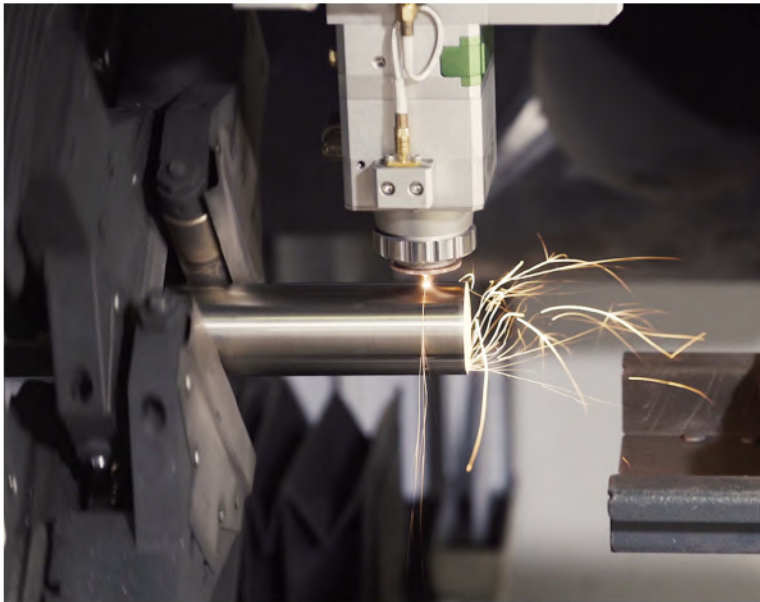
Art.
KAT-GLASS RAILINGS-2022/23



Art.
KAT-POST RAILINGS-2022/23



Art.
KAT-GLASS SYSTEMS-2022/23



INOX AISI304 ✓ AISI316 ✓ S.S. 2205 ✓ ALUMINIUM ✓ ZAMAK ✓	INOX AISI304 ✓ AISI316 ✓ S.S. 2205 ✓ ALUMINIUM ✓ ZAMAK ✗	INOX AISI304 ✗ AISI316 ✓ S.S. 2205 ✓ ALUMINIUM ✓ ZAMAK ✗
INOX AISI304 ✗ AISI316 ✓ S.S. 2205 ✓ ALUMINIUM ✓ ZAMAK ✗	INOX AISI304 ✗ AISI316* ✓ S.S. 2205 ✓ ALUMINIUM ✓ ZAMAK ✗	INOX AISI304 ✗ AISI316 ✗ S.S. 2205 ✓ ALUMINIUM ✗ ZAMAK ✗

material						
AISI304	nerezová oceľ	stal nierdzewna	rozsdamentes acél	stainless steel	Edelstahl	INOX
AISI316						
S.S. 2205						
CORTEN	corten oceľ	corten stal	corten acél	corten steel	Cortenstahl	corten
ALUMINIUM	hliník	aluminium	aluminium	aluminium	Aluminium	aluminium
ZAMAK	zliatina Zn+Al	stop cynku i aluminium	Zn+Al ötvözet	ZAMAC	Zinkdruckguss	alliage Zn+Al
Fe	železo	želazo	vas	iron	Eisen	fer
Zn	zinok	cynk	cink	zinc	Zink	zinc
Brass	mosadz	miedź	sárgaréz	brass	Messing	laiton
PVC	PVC	PVC	PVC	PVC	PVC	PVC
Rubber	guma	guma	gumi	rubber	Gummi	gomme
Beech	buk	buk	bükk	beech	Buche	hêtre
Oak	dub	dąb	tölgy	oak	Eiche	chêne
Spruce	smrek	świerk	lucfenyő	spruce	Fichte	épicéa
VSG/ESG	sklo	szklo	üveg	glass	Glas	verre
finish/effect						
satín	brus K320	szlif K320	szálcsiszolt K320	brushed K320	geschliffen K320	brossé K320
silver	strieborný	srebro	ezüst	silver	Silber	argent
polish	lesk	polerowany	tükör polírozott	polished	poliert	poli
raw	surový	surowy	nyers	raw	roh	brossé
natural	nebrúsený	neszlifovaný	natúr	rough	ungeschliffen	non-brossé
INOX	nerez	nierdzewny	rozsdamentes	inox	Edelstahl	inox
ELOX	eloxovaný	anodowany	eloxált	elox	Eloxiert	anodisé
	potrebné úpravy	niezbędne przystosowanie	szükséges módosítás nem összeszerelt	necessary modification not assembled	Anpassung ist notwendig	modification nécessaire non assemblé
	nezmontované	niezłożone			unmontiert	
	približný rozmer	przybliżone wymiary	közeliítő méretek	approximate dimension	die Abmessungen sind ungefähr	dimensions approximatives
	bestseller	bestseller	legjobban eladott	best seller	Bestseller	best-seller
	novinka 2022	nowość 2022	új 2022	new 2022	Neuheit 2022	nouveau 2022
	LED					

- INOX AISI 304**
- vhodný do prostredia bez chlóru a oxidu siričitého
INOX AISI 316
- vhodný do prostredia s vysokým obsahom chlóru, oxidu siričitého, vysokej vlhkosti, do primorských regiónov
INOX S.S. 2205- vhodný do prostredia s vysokým obsahom chlóru, oxidu siričitého, vysokej vlhkosti s prítomnosťou soli na pobreží a na voľnom mori.
- INOX AISI 304**
- suitable for the environment without chlorine and sulphur dioxide load
INOX AISI 316
- suitable for the environment with a high content of chlorine, sulphur dioxide load, high humidity, coastal regions
INOX S.S. 2205
- Suitable for environments with a high content of chlorine, sulfur dioxide, high humidity with salt on the coast and on the high seas.
- INOX AISI 304**
- przeznaczone dla środowiska bez dwutlenku siarki oraz chloru
INOX AISI 316
- przeznaczone dla środowiska o wysokiej zawartości dwutlenku siarki oraz chloru, wysokiej wilgotności oraz w regionach nadmorskie
INOX S.S. 2205
- Nadaje się do środowisk o wysokiej zawartości chloru, dwutlenku siarki, o wysokiej wilgotności, o dużym zasoleniu, w strefach nadmorskich, lub w bezpośrednim kontakcie z wodą morską.
- INOX AISI 304**
- alkalmazható olyan környezetben, ahol nincs klór és kén-dioxid terhelés
INOX AISI 316
- alkalmazható olyan környezetben, ahol magas a klór-, vagy kén-dioxid terhelés, magas a páratartalom, tengerparti régiókban
INOX S.S. 2205
- Alkalmazható magas klór-, kén-dioxid-, sós nedvességtartalmú környezetben, valamint tengerparton és a nyílt tengeren".
- INOX AISI 304**
- geeignet in Umgebung ohne Chlor und Schwefeldioxid
INOX AISI 316
- geeignet in Umgebung mit einem hohen Gehalt an Chlor, Schwefeldioxid oder in Umgebung mit hoher Luftfeuchtigkeit, in Küstenregionen
INOX S.S. 2205
- geeignet für Umgebungen mit hohem Gehalt an Chlor, Schwefeldioxid und hoher Luftfeuchtigkeit mit Salz an der Küste und auf hoher See
- INOX AISI 304**
- Convenable pour les environnements sans chlore et/ ou bioxyde de soufre
INOX AISI 316
- Convenable pour les environnements avec un contenu élevé de chlore et/ ou de bioxyde de soufre, une grande humidité, régions maritimes
INOX S.S. 2205
- Convenable au milieu avec un contenu élevé du dioxyde de soufre, ainsi qu'au milieu humide contenant du sel, tel que le bord de mer ou la mer ouverte.

TEST / CERTIFICATE						
					TESTED BY	

© právo na technické, tvarové a rozmerové zmeny vyhradené/ rights to technical, shape and dimensional changes reserved