

SL32 - 1,4mm

YALITIMSIZ SÜRME SİSTEM
COLD SLIDING SYSTEM

ASISTAL

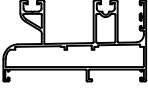
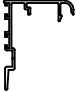
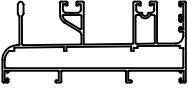

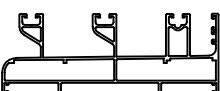

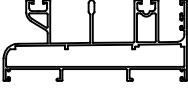

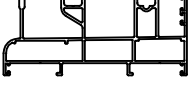
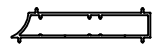
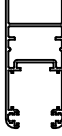
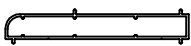
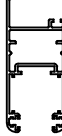

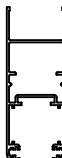
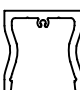




PROFİL VE AKSESUAR LİSTELERİ
PROFILE & ACCESSORIES LISTS

SL32 - 1,4mm

YALITIMSIZ SÜRME SİSTEM
COLD SLIDING SYSTEM

ASISTAL


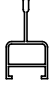
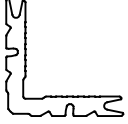





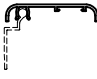
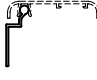

PROFİL LİSTESİ - PROFILE LISTS

SL32 01			SL32 46D		
KASA PROFİLİ FRAME PROFILE	AĞIRLIK / Weight 1,345 kg/mt		KENET PROFİLİ CENTRAL LOCKING PROFILE	AĞIRLIK / Weight 0,438 kg/mt	
SL32 02			SL32 43		
KASA PROFİLİ FRAME PROFILE	AĞIRLIK / Weight 1,647 kg/mt		ADAPTÖR PROFİLİ ADAPTER PROFILE	AĞIRLIK / Weight 0,235 kg/mt	
SL32 03			SL32 45		
KASA PROFİLİ FRAME PROFILE	AĞIRLIK / Weight 1,922 kg/mt		TEK CAM ÇITASI ADAPTÖR PROFİLİ Glazing Bead Profile	AĞIRLIK / Weight 0,269 kg/mt	
SL32 04			SL40 72		
KASA PROFİLİ FRAME PROFILE	AĞIRLIK / Weight 1,652 kg/mt		SABİT PANJUR LAMELİ FIX SHUTTER BLIND	AĞIRLIK / Weight 0,491 kg/mt	
SL32 05D			12-82		
KASA PROFİLİ FRAME PROFILE	AĞIRLIK / Weight 1,661 kg/mt		AS42 SİSTEM GEÇİŞ ADAPTÖRÜ AS42 ADAPTER PROFILE FOR SL32 01	AĞIRLIK / Weight 0,644 kg/mt	
SL32 11			12-84D		
Jx cm ⁴ 6,59	Jy cm ⁴ 16,75		AS42 SİSTEM GEÇİŞ ADAPTÖRÜ AS42 ADAPTER PROFILE FOR SL32 02,SL32 04,SL32 05D	AĞIRLIK / Weight 0,828 kg/mt	
KANAT PROFİLİ SASH PROFILE		AĞIRLIK / Weight 1,016 kg/mt			
SL32 12			SL32 44		
Jx cm ⁴ 6,23	Jy cm ⁴ 14,99		İSPANYOLET KİLİTLEME ADAPTÖR PROFİLİ MULTI POINT LOCK ADAPTER	AĞIRLIK / Weight 0,260 kg/mt	
KANAT PROFİLİ SASH PROFILE		AĞIRLIK / Weight 0,992 kg/mt			
SL32 13D			LS60 71		
Jx cm ⁴ 6,86	Jy cm ⁴ 22,30		KULP PROFİLİ HANDLE PROFILE	AĞIRLIK / Weight 2,050 kg/mt	
KANAT PROFİLİ SASH PROFILE		AĞIRLIK / Weight 1,02 kg/mt			
SL32 14D			LS60 72		
Jx cm ⁴ 6,72	Jy cm ⁴ 23,93		KULP KAPAK PROFİLİ HANDLE COVER PROFILE	AĞIRLIK / Weight 0,420 kg/mt	
KANAT PROFİLİ SASH PROFILE		AĞIRLIK / Weight 1,05 kg/mt			
SL32 41			15-304216-09		
KENET PROFİLİ CENTRAL LOCKING PROFILE	AĞIRLIK / Weight 0,415 kg/mt		SİNEKLİK KANAT PROFİLİ FLYSCREEN SASH PROFILE	AĞIRLIK / Weight 0,352 kg/mt	

* Sipariş öncesi kalıp bilgisi kontrol edilmeli / must be check profile mold before the order

Profil ağırlıklarımız teorik olup; teslim anındaki tartımız geçerlidir.

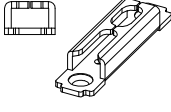
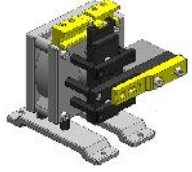
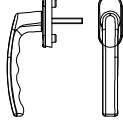



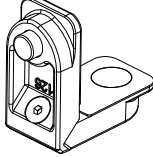

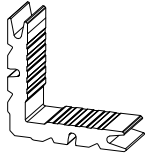
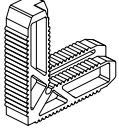

PROF L LİSTESİ - PROFILE LISTS

15-306317-11			04-025025-12		T
S NEKLİK KANAT PROFİL FLYSCREEN SASH PROFILE	A İRLİK / Weight 0,561 kg/mt		KASA T'S - 30 mm BORDER T PROFILE	A İRLİK / Weight 0,159 kg/mt	
15-044023-13			10-010106-00		
S NEKLİK K RAY PROFİL FLYSCREEN RAILE PROFILE	A İRLİK / Weight 0,410 kg/mt		KÖŞE TAKOZU-10,6 mm CORNER JOINT	A İRLİK / Weight 2,653 kg/mt	
SL32 71					
S NEKLİK K RAY PROFİL FLYSCREEN RAILE PROFILE	A İRLİK / Weight 0,295 kg/mt				
SL32 1103					
CAM ÇİTASI-3 mm GLAZING BEAD PROFILE	A İRLİK / Weight 0,083 kg/mt				
SL32 1113					
CAM ÇİTASI-13 mm GLAZING BEAD PROFILE	A İRLİK / Weight 0,124 kg/mt				
SL32 1117					
CAM ÇİTASI-17 mm GLAZING BEAD PROFILE	A İRLİK / Weight 0,138 kg/mt				
12-61					
RAY PROFİL RAILE PROFILE	A İRLİK / Weight 0,111 kg/mt				
12-52					
PERVAZ PROFİL BORDER PROFILE	A İRLİK / Weight 0,279 kg/mt				
12-53					
PERVAZ MONTAJ PROFİL BORDER FIXING PROFILE	A İRLİK / Weight 0,177 kg/mt				
12-54					
PERVAZ PROFİL BORDER PROFILE	A İRLİK / Weight 0,326 kg/mt				

AKSESUAR LİSTESİ - ACCESSORIES LIST

KC 02			ASI-SR 02R		
ÇAM F T L - 2 mm GLAZING GASKET	KOL M KTARI/Package 100 mt / 4,5 kg		AYARLI Ç F T L RULMAN (U T P RAY Ç N) DOUBLE SLIDING ROLLER - U	KOL M KTARI/Package Adet / Piece	
EP2-01			ASI-BZ 5060		
Ç CAM F T L - 3 mm INNER GLAZING GASKET	KOL M KTARI/Package 440 mt / 15 kg		S NEKL K KANAT RULMAN FLYSCREEN SASH ROLLER	KOL M KTARI/Package Adet / Piece	
EP2-02			ASI-SH 007		
Ç CAM F T L - 4 mm INNER GLAZING GASKET	KOL M KTARI/Package 300 mt / 15 kg		HAVUZ KOL EMBEDDED HANDLE	KOL M KTARI/Package Adet / Piece	
EP2-03			ASI-SH 007A		
Ç CAM F T L - 5 mm INNER GLAZING GASKET	KOL M KTARI/Package 250 mt / 15 kg		K L T L HAVUZ KOL EMBEDDED HANDLE WITH LOCK	KOL M KTARI/Package Adet / Piece	
KF 67-550			ASI-SH 007B		
FİRÇA F T L - 5,5mm BRUSH GASKET	KOL M KTARI/Package 1400 mt		ÇEKME HAVUZ KOL PULL EMBEDDED HANDLE	KOL M KTARI/Package Adet / Piece	
ASI-STP 03			ASI-SH 007K		
KANAT STOPER SASH STOPPER	KOL M KTARI/Package Adet / Piece		HAVUZ KOL DİL-KARŞILIK (ASI-SH 007 ve 007A için) EMBEDDED HANDLE STRIKE HOOK FOR ASI-SH 007/007A	KOLİ MİKTARI/Package Takım / Set	
SL32 KP			ASI-ISP15.0		
KENET KAPA I-ALT/ÜST INTERLOCK PROFILE CAP TOP / BOTTOM	KOL M KTARI/Package Alt-Üst Takım / Set		İSPANYOLET KİLİTLEME (400mm) MULTI POINT LOCK	KOLİ MİKTARI/Package Adet / Piece	
SL32 KP 02			ASI-ISP15.1		
KENET KAPA I-ALT/ÜST INTERLOCK PROFILE CAP TOP / BOTTOM	KOL M KTARI/Package Alt-Üst Takım / Set		İSPANYOLET KİLİTLEME (600mm) MULTI POINT LOCK	KOLİ MİKTARI/Package Adet / Piece	
ASI-SFP 01			ASI-ISP15.2		
HAVA KES C - ALT/ÜST CENTRAL SEALING TOP / BOTTOM	KOL M KTARI/Package Adet / Piece		İSPANYOLET KİLİTLEME (1000mm) MULTI POINT LOCK	KOLİ MİKTARI/Package Adet / Piece	
MO60-19			ASI-ISP15.3		
KOL PROF L KAPA I HANDLE PROFILE CAP	KOL M KTARI/Package Adet / Piece		İSPANYOLET KİLİTLEME (1800mm) MULTI POINT LOCK	KOLİ MİKTARI/Package Adet / Piece	

* Sipariş öncesi kalıp bilgisi kontrol edilmeli / must be check profile mold before the order

ASI-ISP K03			PNC-SL32		
İSPANYOLET KİLİT KARŞILIK MULTI POINT LOCK STRIKER	KOLİ MİKTARI/Package Adet / Piece		KÖŞE BAĞLANTI-SU TAHLİYE PANÇ MAKİNESİ CORNER JOINT-WATER DRAINAGE PUNCH MACHINE	KOLİ MİKTARI/Package Adet / Piece	
ASI-WH 002					
İSPANYOLET KİLİTLEME KOL MULTI POINT LOCK HANDLE	KOLİ MİKTARI/Package Adet / Piece				
ASI-WH 006					
GÖMME İSPANYOLET KİLİTLEME KOL EMBEDED HANDLE FOR MULTI POINT LOCK	KOLİ MİKTARI/Package Adet / Piece				
ASI-INR 01					
ÇELİK RAY STEEL RAIL	KOLİ MİKTARI/Package 3,5 mt / Adet				
ASI-SB 19					
KÖŞE GÖNYESİ CORNER ALIGNMENT	KOLİ MİKTARI/Package 1000 Adet / Piece				
ASI-PB 1126					
PİMLİ KÖŞE BAĞLANTI CORNER JOINT	KOLİ MİKTARI/Package Adet / Piece				
ASI-PB 219					
KÖŞE BAĞLANTI CORNER JOINT	KOLİ MİKTARI/Package Adet / Piece				
ASI-KT 1126					
KÖŞE TAKOZU CORNER JOINT	KOLİ MİKTARI/Package Adet / Piece				
ASI-BZ 5007					
SİNEKLİK KÖŞE TAKOZU FLYSCREEN CORNER JOINT	KOLİ MİKTARI/Package Adet / Piece				
501 EKO PANÇ					
KÖŞE PİMLİ BAĞLANTI PANÇ MAKİNESİ PUNCH MACHINE FOR CORNER JOINT WITH PIN	KOLİ MİKTARI/Package Adet / Piece				

SL32 - 1,4mm

YALITIMSIZ SÜRME SİSTEM
COLD SLIDING SYSTEM

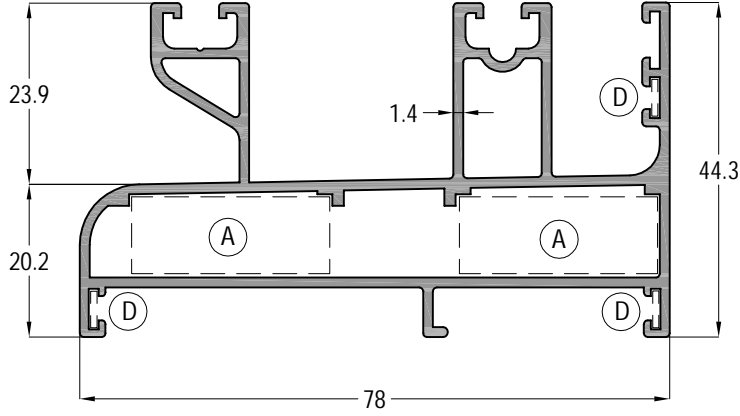
ASISTAL

PROFİL DETAYLARI
PROFILE DETAILS

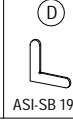
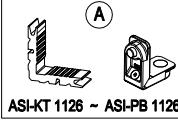
SL32 - 1,4mm

YALITIMSIZ SÜRME SİSTEM
COLD SLIDING SYSTEM

ASISTAL

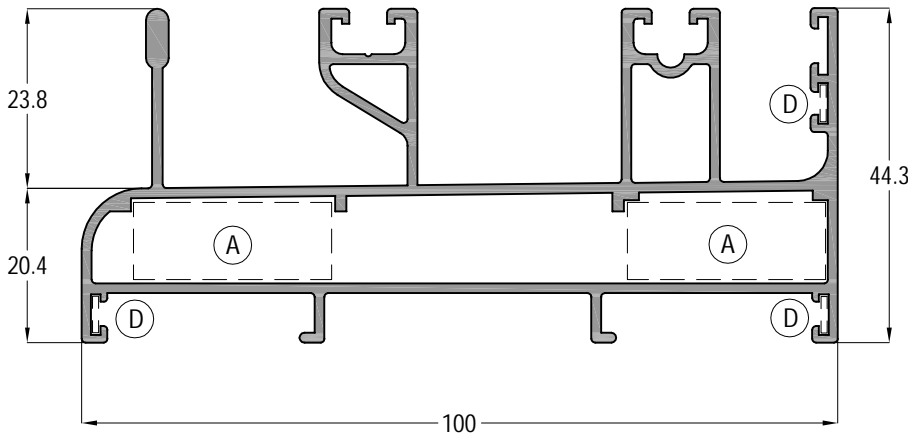


SL32 01

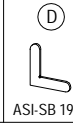
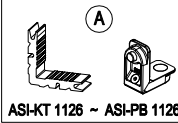


A IRLIK / Weight

1,345 kg/mt

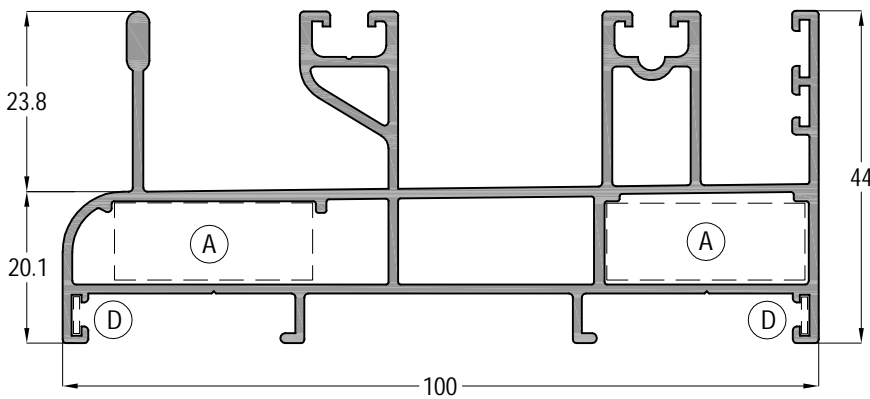


SL32 02

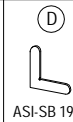
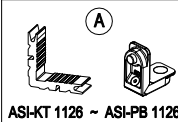


A IRLIK / Weight

1,647 kg/mt



SL32 05D



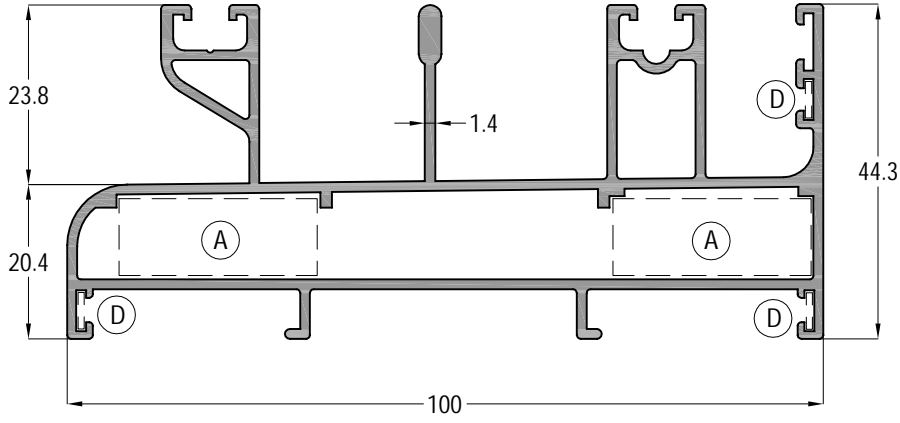
A IRLIK / Weight

1,661 kg/mt

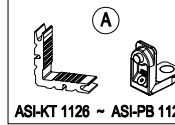
SL32 - 1,4mm

YALITIMSIZ SÜRME SİSTEM
COLD SLIDING SYSTEM

ASISTAL

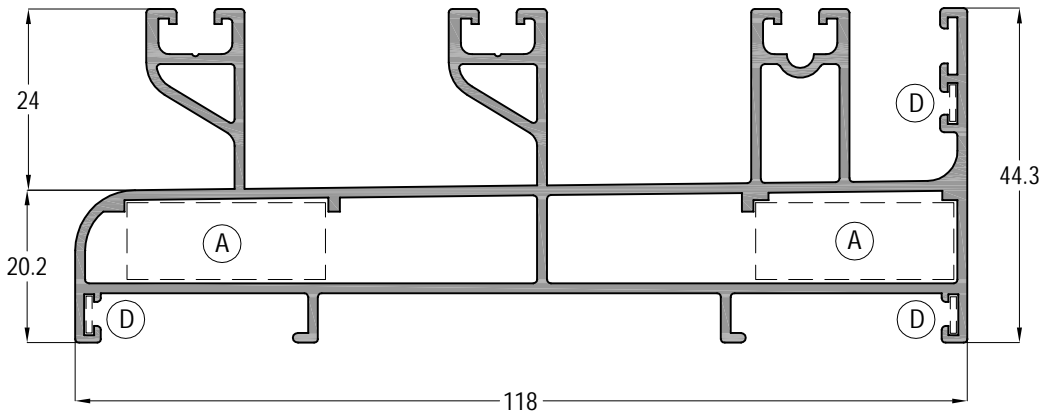


SL32 04

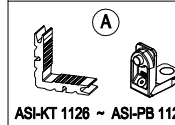


A IRLIK / Weight

1,652 kg/mt



SL32 03




A IRLIK / Weight


1,922 kg/mt

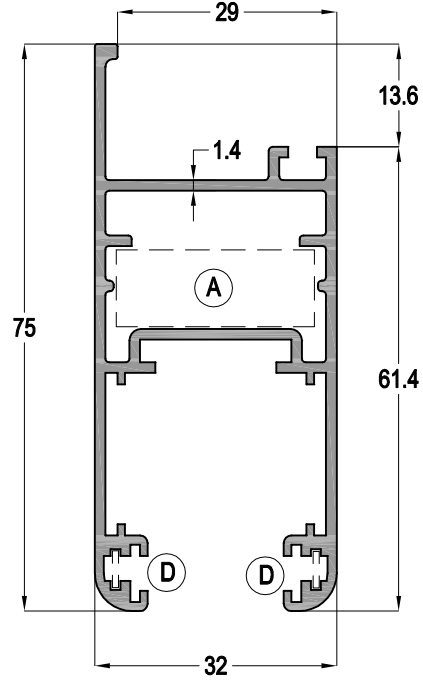
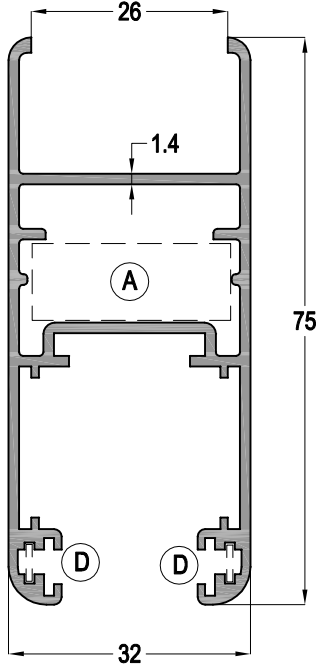
SL32 - 1,4mm

YALITIMSIZ SÜRME SİSTEM
COLD SLIDING SYSTEM

ASISTAL

SL32 11	Jx cm ⁴	Jy cm ⁴
	6,59	16,75
	AĞIRLIK / Weight	
ASI-KT 1126 - ASI-PB 1126 ASI-SB 19	1,016 kg/mt	

SL32 12	Jx cm ⁴	Jy cm ⁴
	6,23	14,99
	AĞIRLIK / Weight	
ASI-KT 1126 - ASI-PB 1126 ASI-SB 19	0,992 kg/mt	



SL32 11 KANAT İÇİN

SASH FOR SL32 11

CAM KALINLIĞINA GÖRE CAM ÇITASI SEÇİM TABLOSU Glazing Bead Selection Table according to the Glass Thickness			
CAM KALINLIĞI Glass Thickness (mm)	CAM ÇITASI Glazing Bead	İÇ CAM FİTLİ Glass Gasket (IN)	DIŞ CAM FİTLİ Glass Gasket (OUT)
16	-	EP2-03	EP2-03
18	-	EP2-02	EP2-02
20	-	EP2-01	EP2-01
22	-	KC 02	KC 02

SL32 12 KANAT İÇİN

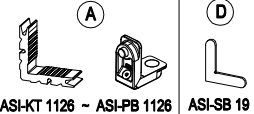
SASH FOR SL32 12


CAM KALINLIĞINA GÖRE CAM ÇITASI SEÇİM TABLOSU Glazing Bead Selection Table according to the Glass Thickness			
CAM KALINLIĞI Glass Thickness (mm)	CAM ÇITASI Glazing Bead	İÇ CAM FİTLİ Glass Gasket (IN)	DIŞ CAM FİTLİ Glass Gasket (OUT)
4	SL32 1117	EP2-02	EP2-02
5	SL32 1117	EP2-02	EP2-01
6	SL32 1117	EP2-01	EP2-01
8	SL32 1113	EP2-02	EP2-02
10	SL32 1113	EP2-02	EP2-01
20	SL32 1103	EP2-01	EP2-01
22	SL32 1103	KC 02	KC 02

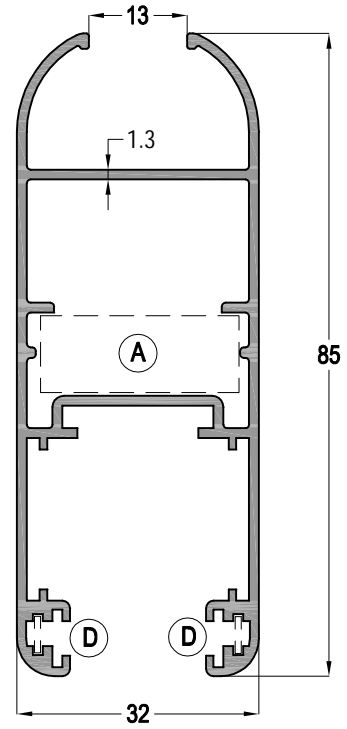
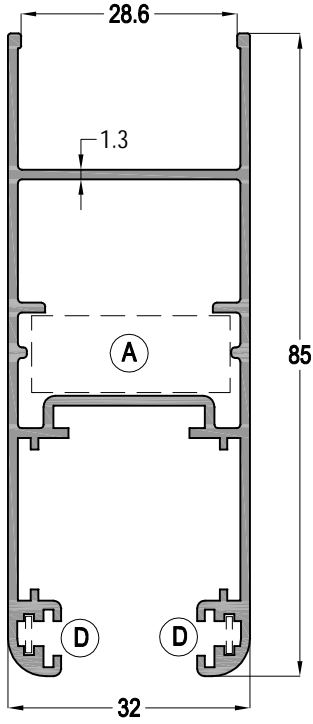
SL32 - 1,4mm

YALITIMSIZ SÜRME SİSTEM
COLD SLIDING SYSTEM

ASISTAL

SL32 13D	Jx cm ⁴	Jy cm ⁴
	6,59	16,75
	AĞIRLIK / Weight	
ASI-KT 1126 - ASI-PB 1126 ASI-SB 19	1,050 kg/mt	

SL32 14D	Jx cm ⁴	Jy cm ⁴
	6,59	16,75
	AĞIRLIK / Weight	
ASI-KT 1126 - ASI-PB 1126 ASI-SB 19	1,020 kg/mt	



SL32 13D KANAT İÇİN SASH FOR SL32 13D

CAM KALINLIĞINA GÖRE CAM ÇİTASI SEÇİM TABLOSU Glazing Bead Selection Table according to the Glass Thickness			
CAM KALINLIĞI Glass Thickness (mm)	CAM ÇİTASI Glazing Bead	İÇ CAM FİTİLİ Glass Gasket (IN)	DIŞ CAM FİTİLİ Glass Gasket (OUT)
4	SL32 45	EP2-02	EP2-02
5	SL32 45	EP2-03	EP2-02
6	SL32 45	EP2-01	EP2-01
10	SL32 45	KC 03	-
20	-	EP2-01	EP2-02
22	-	KC 03	KC 03
24	-	KC 02	KC 02

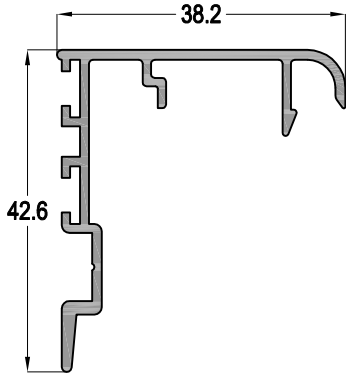
SL32 14D KANAT İÇİN SASH FOR SL32 14D

CAM KALINLIĞINA GÖRE CAM ÇİTASI SEÇİM TABLOSU Glazing Bead Selection Table according to the Glass Thickness			
CAM KALINLIĞI Glass Thickness (mm)	CAM ÇİTASI Glazing Bead	İÇ CAM FİTİLİ Glass Gasket (IN)	DIŞ CAM FİTİLİ Glass Gasket (OUT)
4	-	EP2-02	EP2-02
5	-	EP2-03	EP2-02
6	-	EP2-01	EP2-01
10	-	KC 03	-

SL32 - 1,4mm

YALITIMSIZ SÜRME SİSTEM
COLD SLIDING SYSTEM

ASISTAL



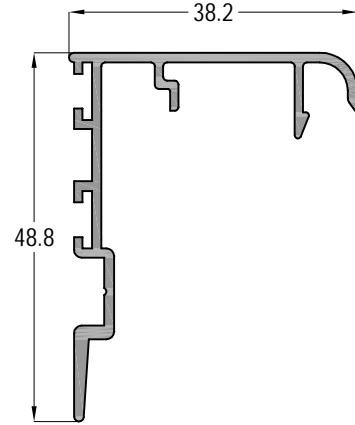
SL32 41



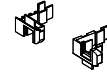
SL32 KP

AĞIRLIK / Weight

0,415 kg/mt



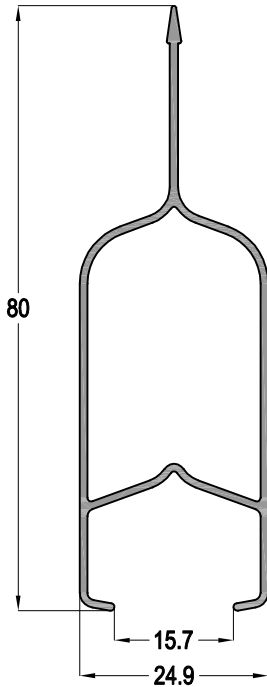
SL32 46D



SL32 KP02

AĞIRLIK / Weight

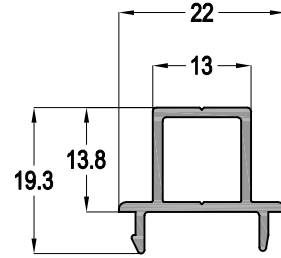
0,438 kg/mt



SL40 72

AĞIRLIK / Weight

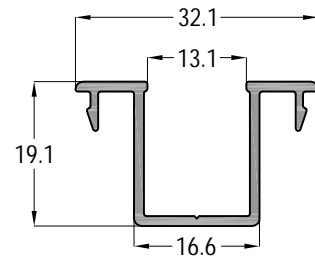
0,491 kg/mt



SL32 43

AĞIRLIK / Weight

0,235 kg/mt



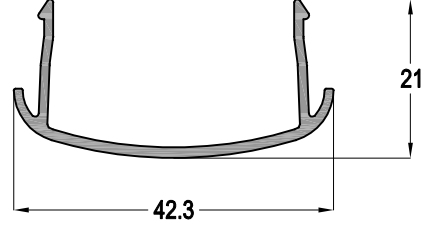
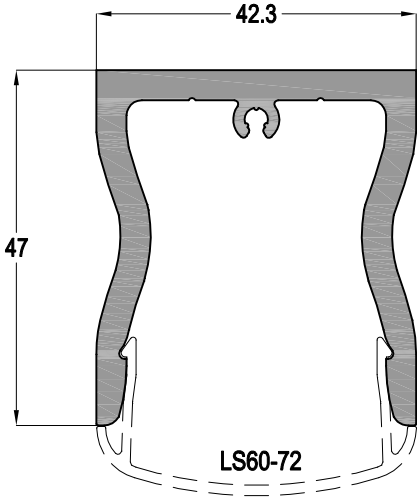
SL32 45

AĞIRLIK / Weight

0,269 kg/mt

SL32 - 1,4mm

YALITIMSIZ SÜRME SİSTEM
COLD SLIDING SYSTEM



LS60-71



MC60-19

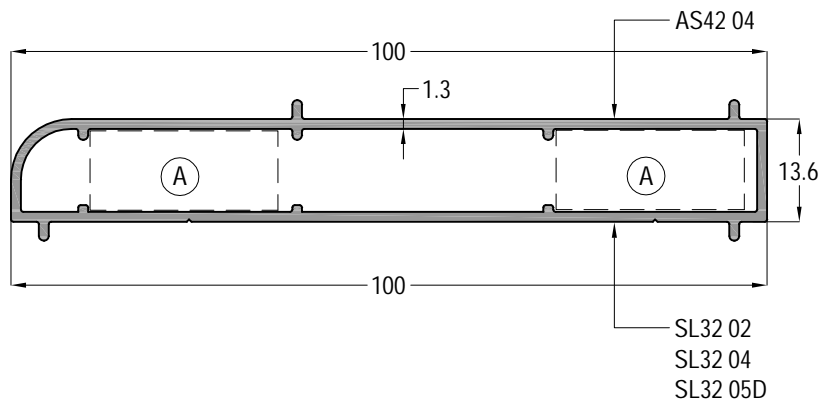
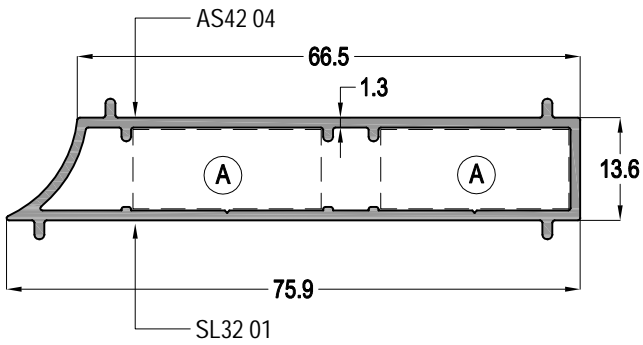
AĞIRLIK / Weight

2,050 kg/mt

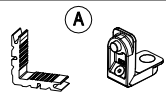
LS60-72

AĞIRLIK / Weight

0,420 kg/mt



12-82



ASI-KT 1124-ASI-PB 1124

AĞIRLIK / Weight

0,644 kg/mt

12-84D



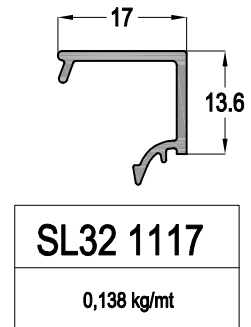
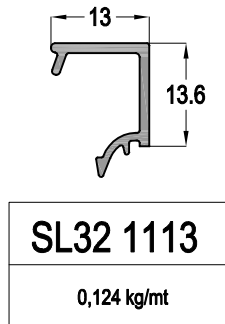
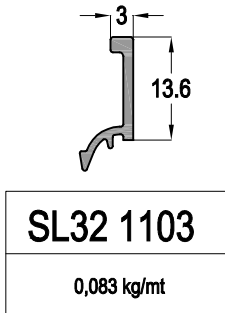
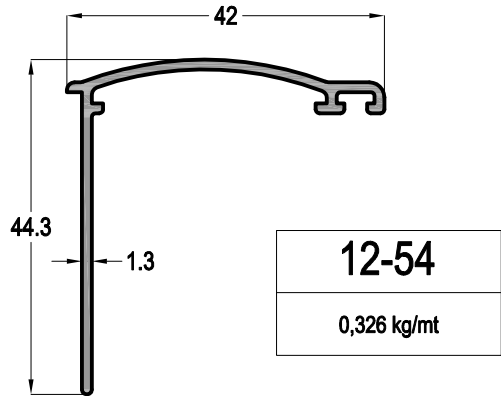
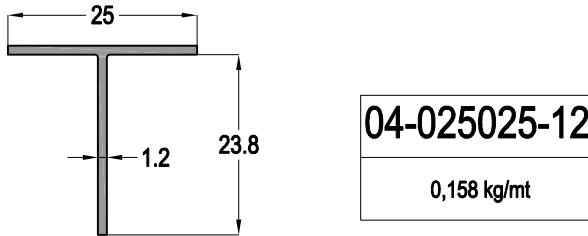
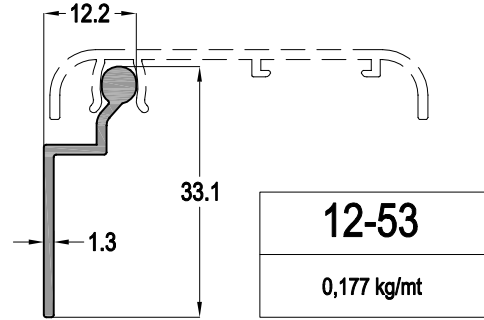
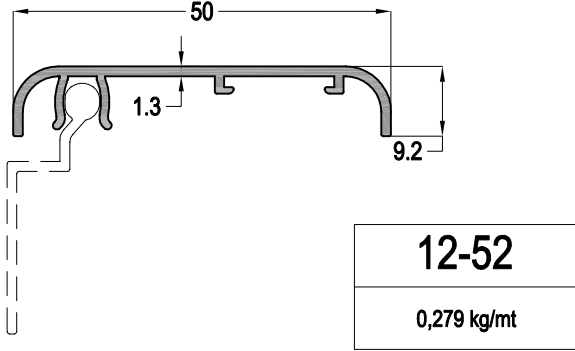
ASI-KT 1124-ASI-PB 1124

AĞIRLIK / Weight

0,644 kg/mt

SL32 - 1,4mm

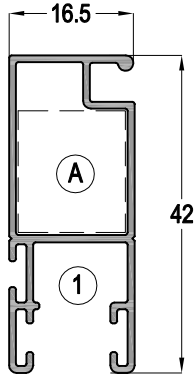
YALITIMSIZ SÜRME SİSTEM
COLD SLIDING SYSTEM





SL32 - 1,4mm

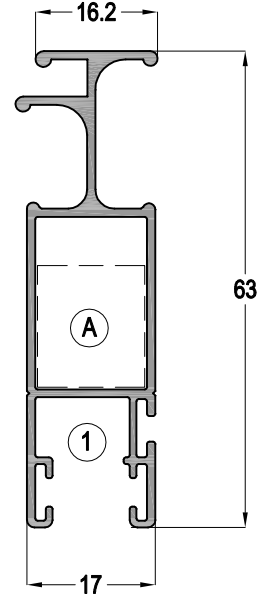
YALITIMSIZ SÜRME SİSTEM
COLD SLIDING SYSTEM

ASISTAL




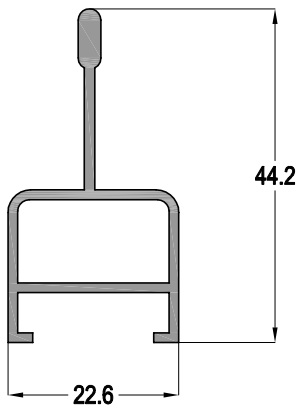
15-304216-09

 ASI-BZ 5007	 ASI-BZ 5060	AĞIRLIK / Weight 0,352 kg/mt
--	--	---------------------------------



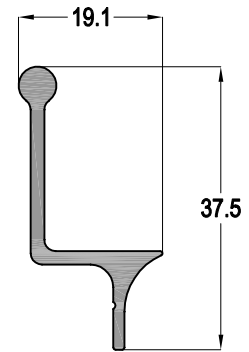
15-306317-11

 ASI-BZ 5007	 ASI-BZ 5060	AĞIRLIK / Weight 0,561 kg/mt
--	--	---------------------------------



SL32 43

	AĞIRLIK / Weight 0,410 kg/mt
--	---------------------------------

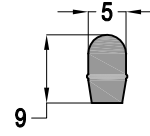
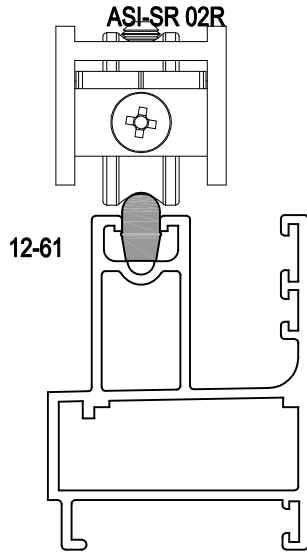


SL32 71

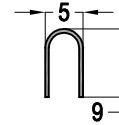
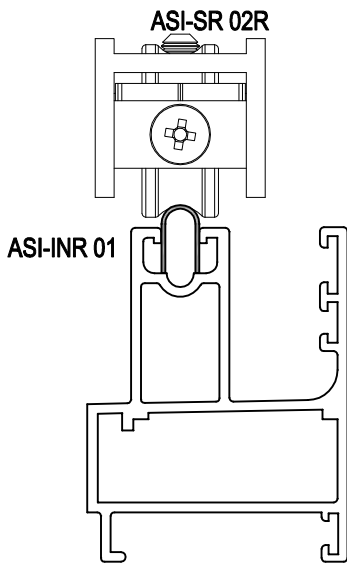
	AĞIRLIK / Weight 0,295 kg/mt
--	---------------------------------

SL32 - 1,4mm

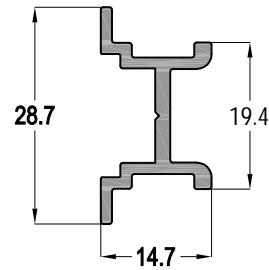
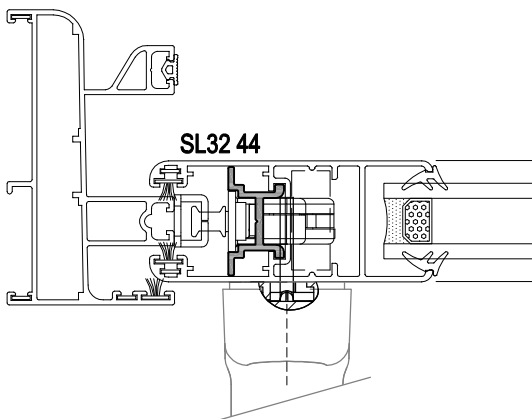
YALITIMSIZ SÜRME SİSTEM
COLD SLIDING SYSTEM



12-61
0,111 kg/mt



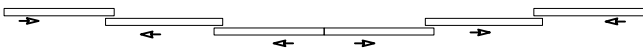
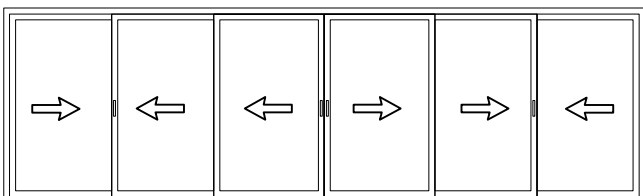
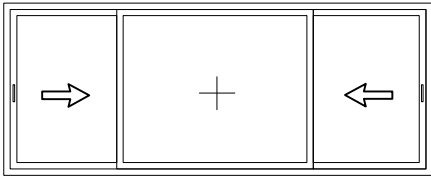
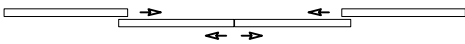
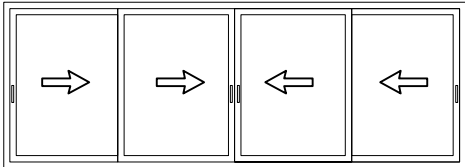
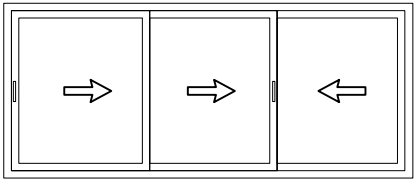
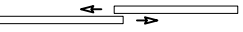
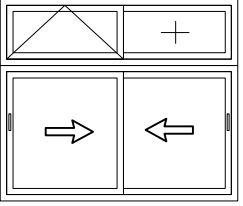
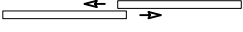
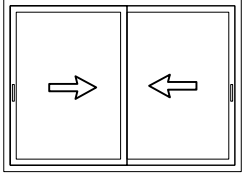
ASI-INR 01
3,5 mt

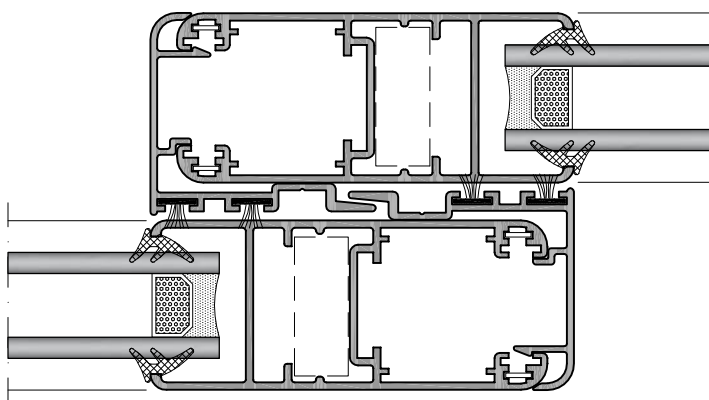
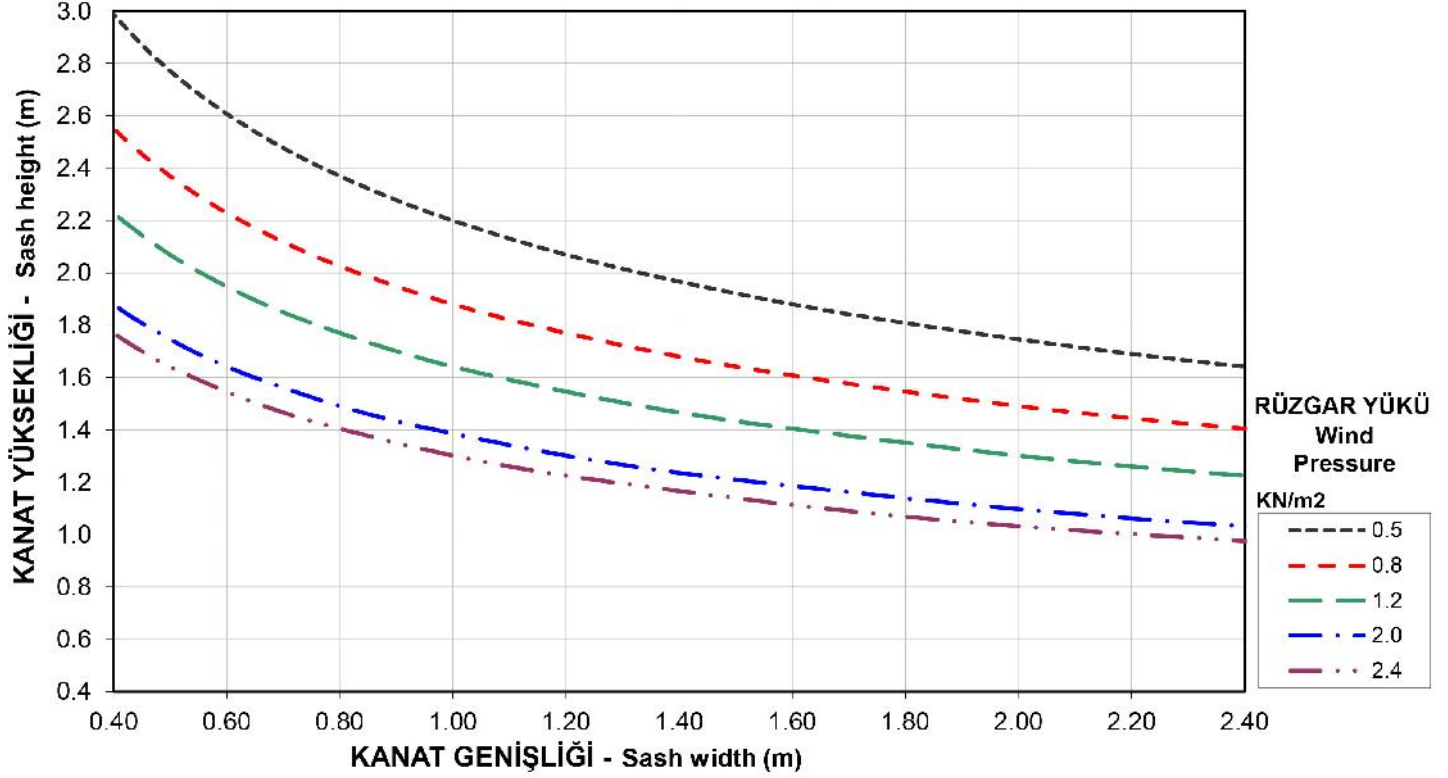


SL32 44
0,260 kg/mt

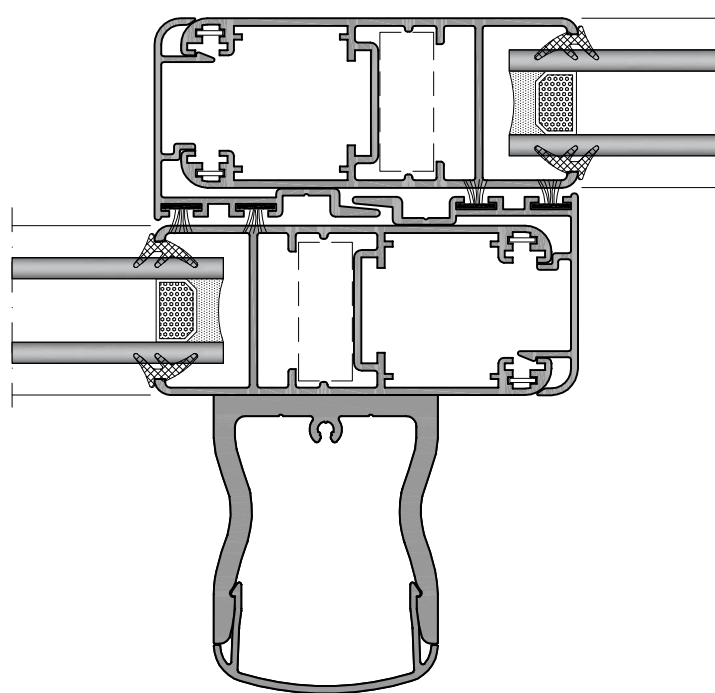
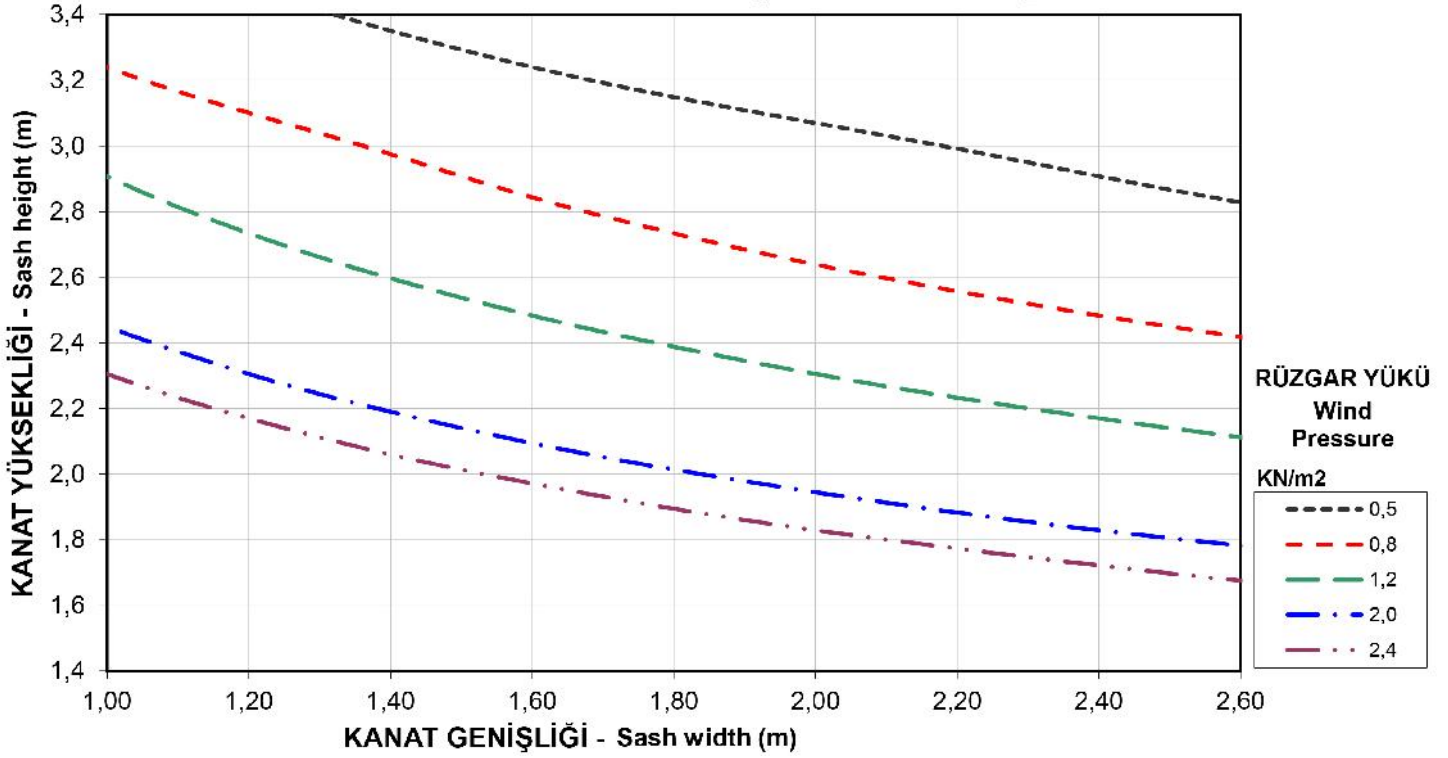


AÇILIM TİPLERİ - OPENING TYPES



RÜZGAR YÜKÜNE GÖRE MAKSİMUM KANAT EBATLARI
MAXIMUM SASH SIMENSIONS FOR GIVEN WIND PRESURE

KANAT EBATLARI BELİRLENİRKEN RULMANIN TAŞIMA KAPASİTESİNİ GEÇMEMESİNE DİKKAT EDİLMELİDİR
WHILE THE DETERMINE SASH DIMENSIONS, SASH WEIGHT MUST BE LESS THAN ROLLER CARY CAPACITY

RÜZGAR YÜKÜNE GÖRE MAKSİMUM KANAT EBATLARI
MAXIMUM SASH SIMENSIONS FOR GIVEN WIND PRESURE

KANAT EBATLARI BELİRLENİRKEN RULMANIN TAŞIMA KAPASİTESİNİ GEÇMEMESİNE DİKKAT EDİLMELİDİR
WHILE THE DETERMINE SASH DIMENSIONS, SASH WEIGHT MUST BE LESS THAN ROLLER CARY CAPACITY

SL32 - 1,4mm

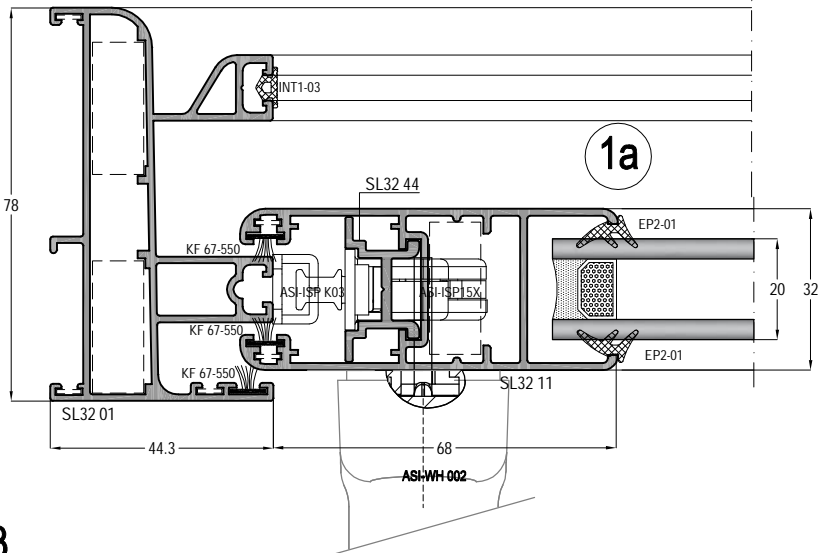
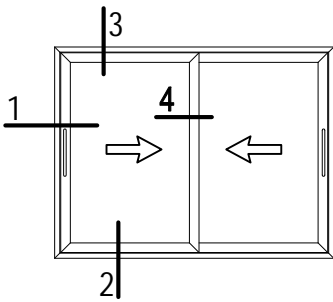
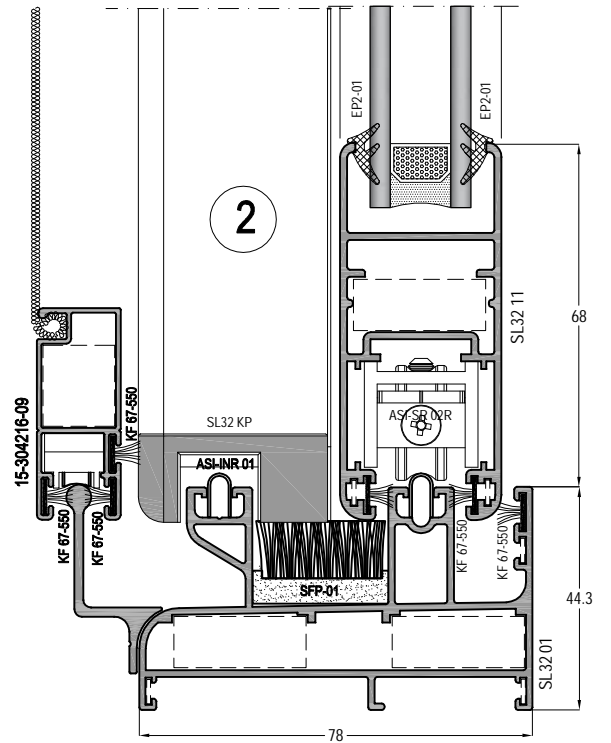
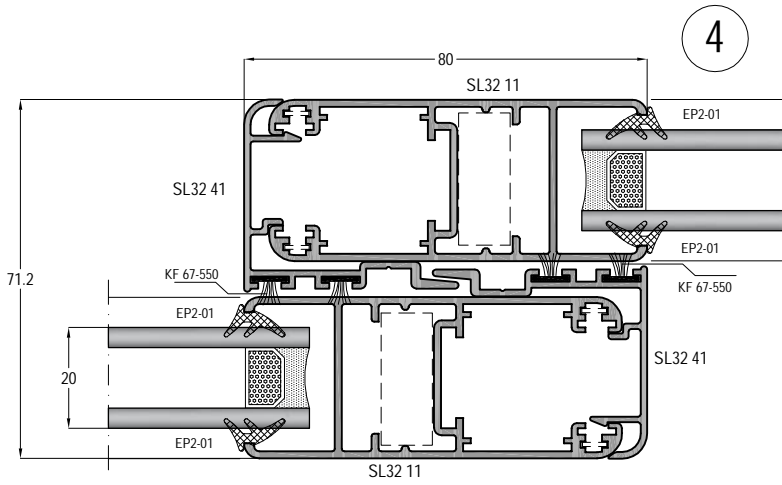
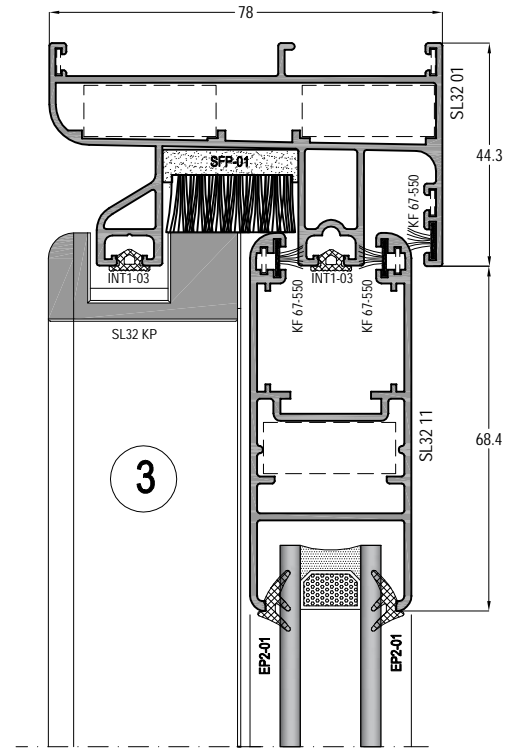
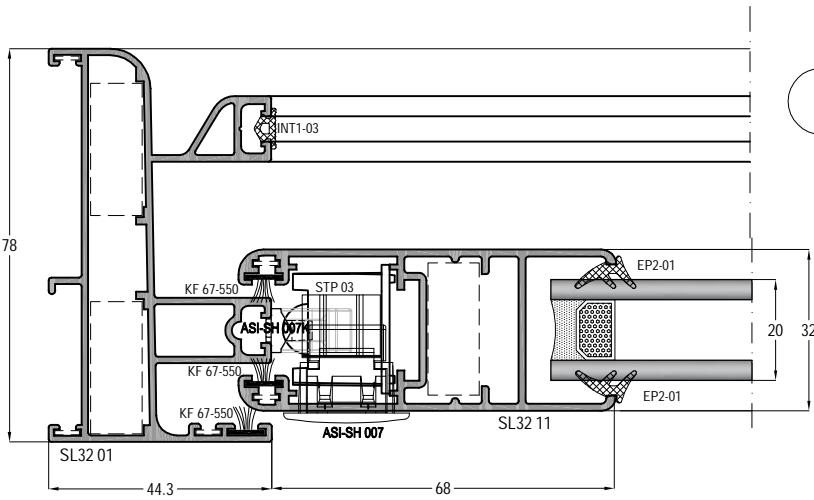
YALITIMSIZ SÜRME SİSTEMİ
COLD SLIDING SYSTEM



SİSTEM DETAYLARI *SYSTEM DETAILS*

SL32 - 1,4mm

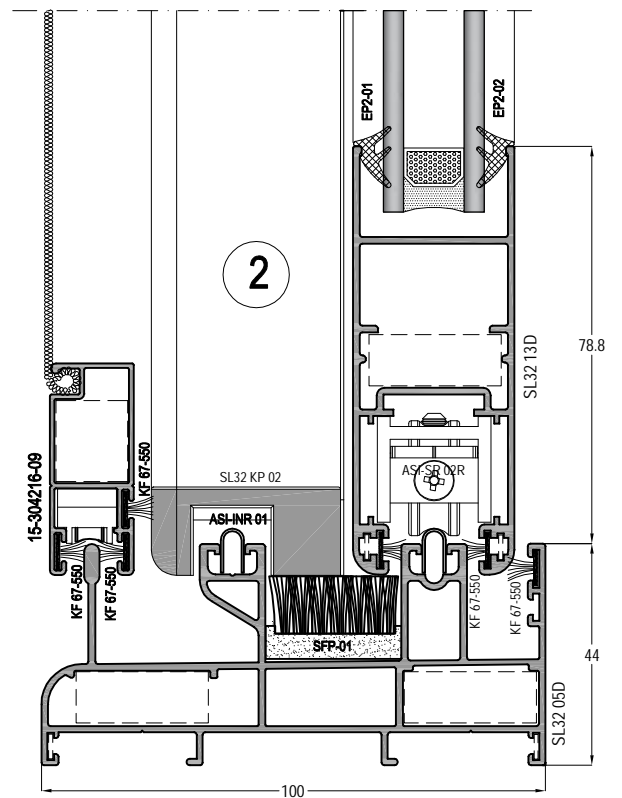
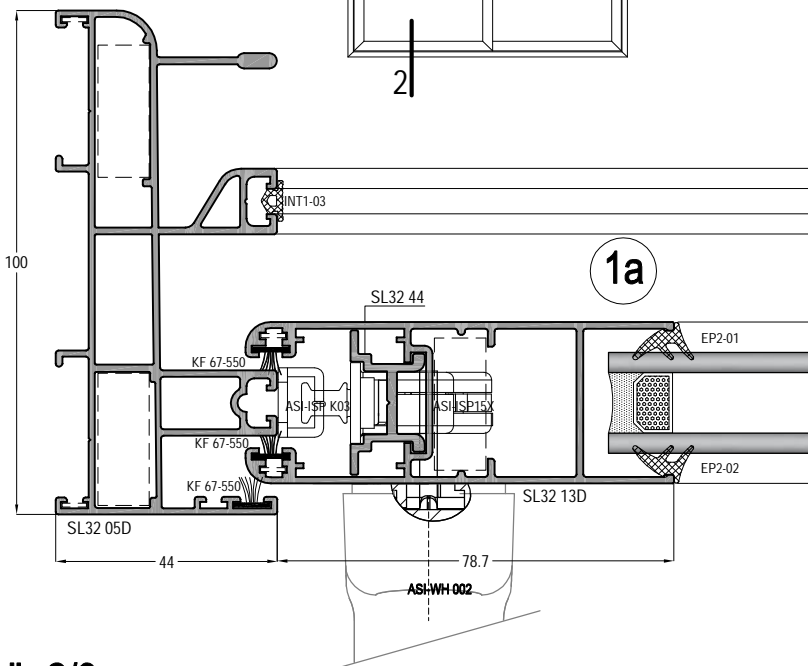
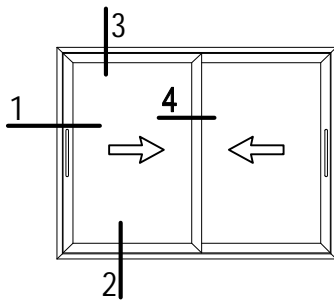
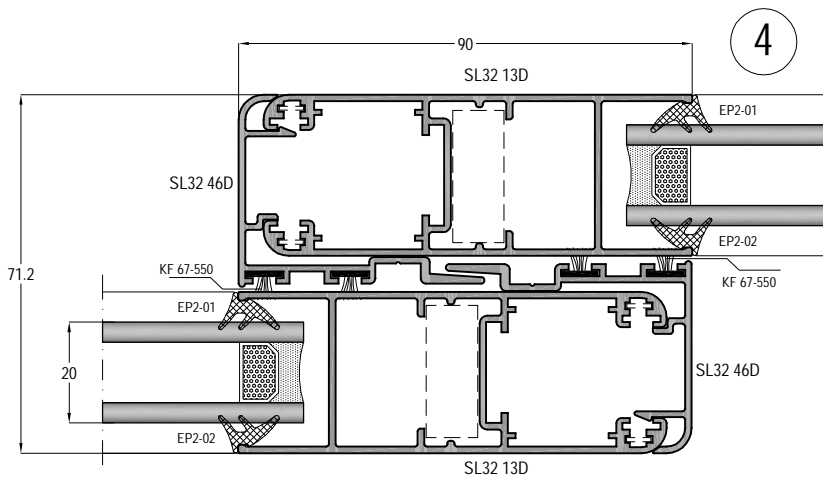
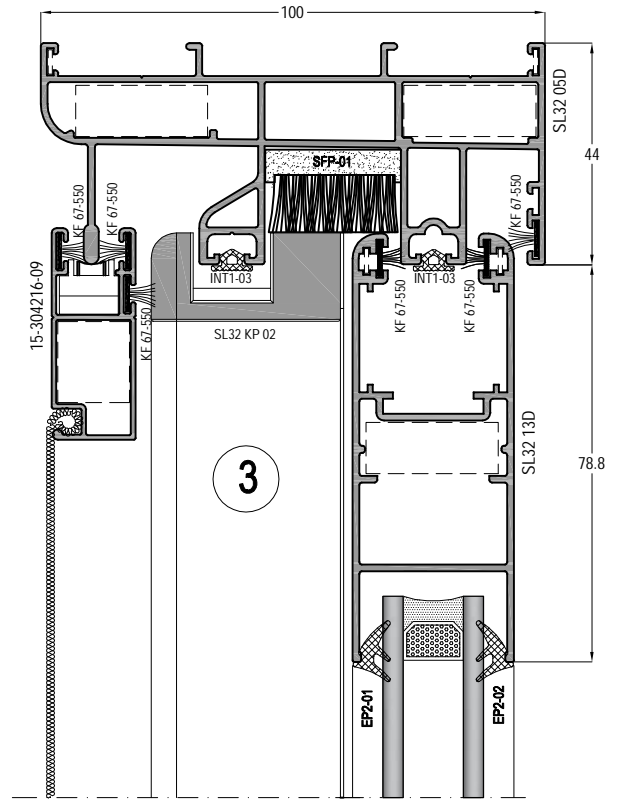
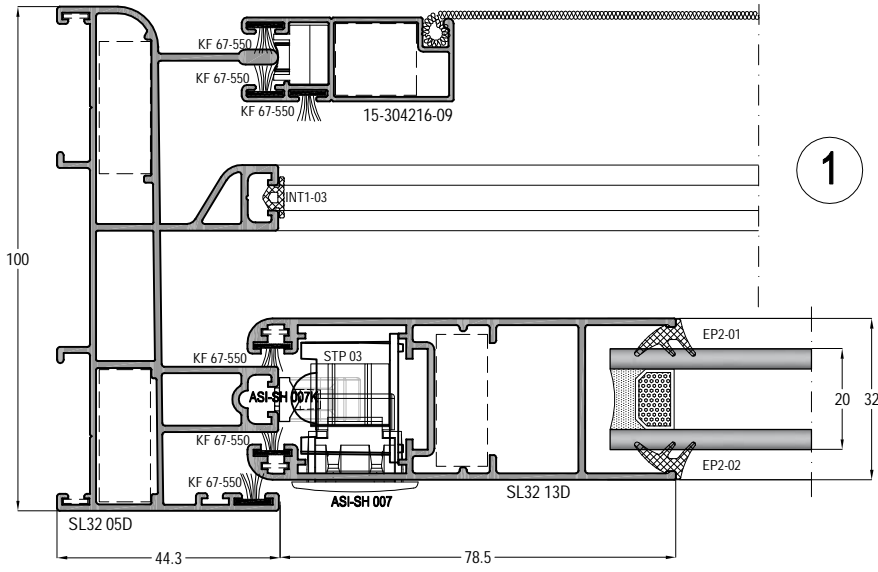
YALITIMSIZ SÜRME SİSTEMİ
COLD SLIDING SYSTEM



SL32 - 1,4mm

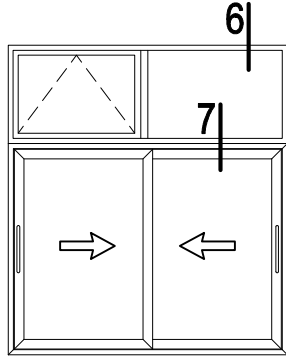
YALITIMSIZ SÜRME SİSTEMİ
COLD SLIDING SYSTEM

ASISTAL



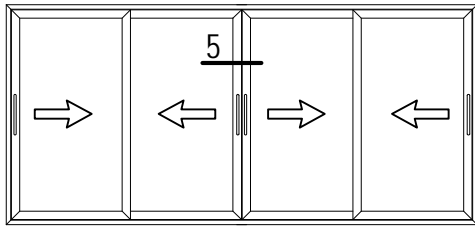
SL32 - 1,4mm

YALITIMSIZ SÜRME SİSTEMİ
COLD SLIDING SYSTEM

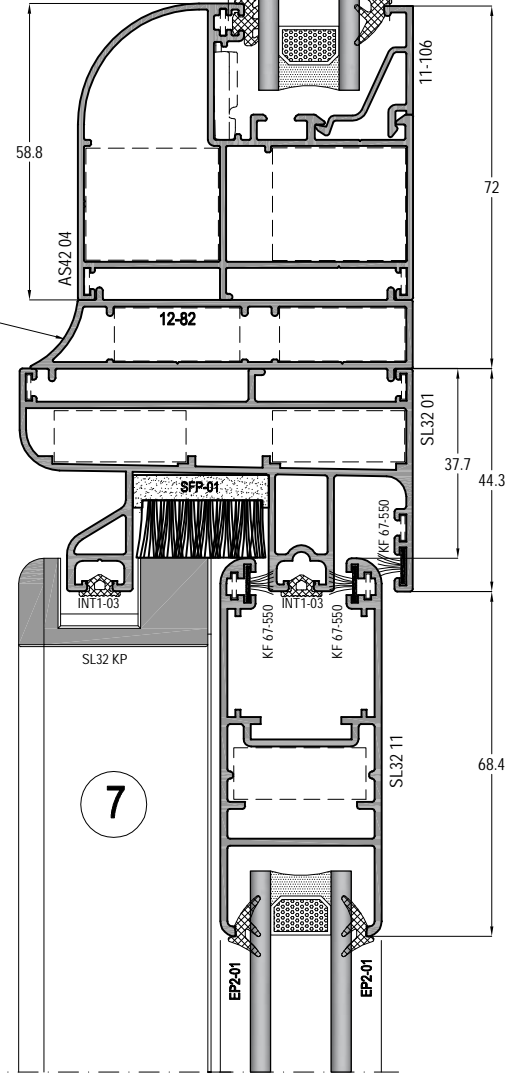
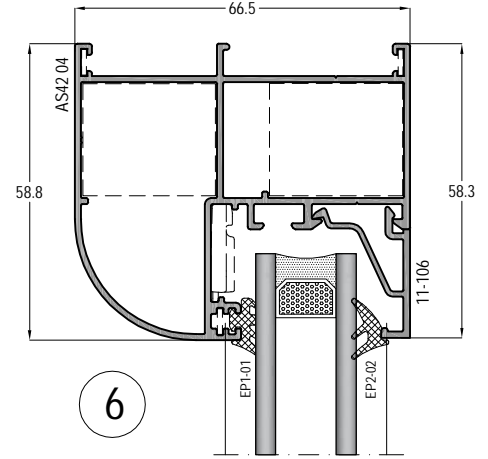


AS42

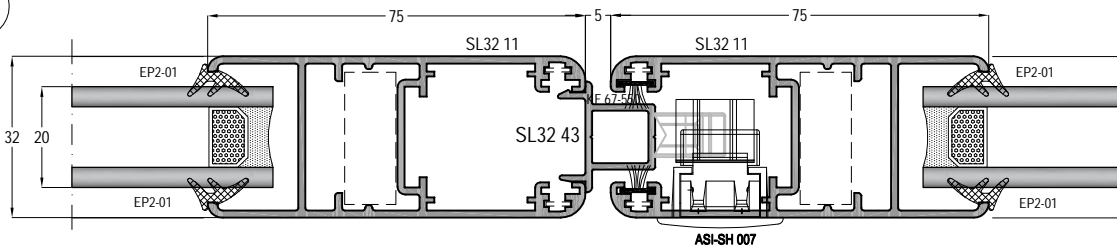
SL32 SÜRME SİSTEMİ
SLIDING SYSTEM



SADECE SL32 01
VE AS42 04
KASALAR LE
UYUMLUDUR (It is Used
With SL32 01
And AS42 04
Frames)

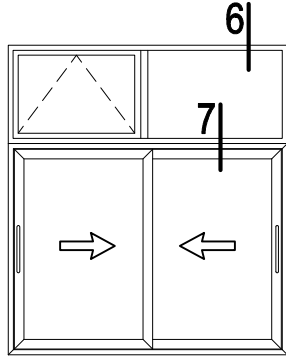


5



SL32 - 1,4mm

YALITIMSIZ SÜRME SİSTEMİ
COLD SLIDING SYSTEM

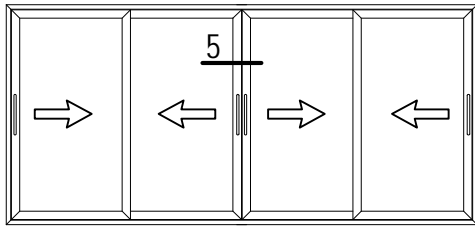


AS42

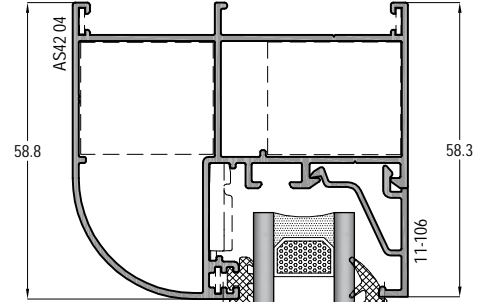
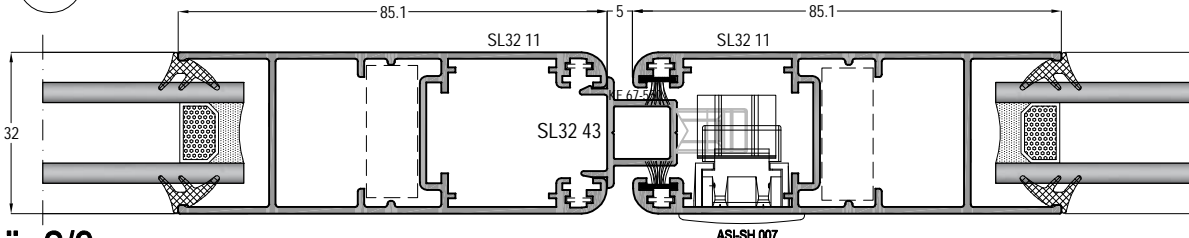
SL32 SÜRME SİSTEMİ
SLIDING SYSTEM

SADECE SL32 02
SL32 04
SL32 05D
VE AS42 04
KASALAR LE
UYUMLUDUR

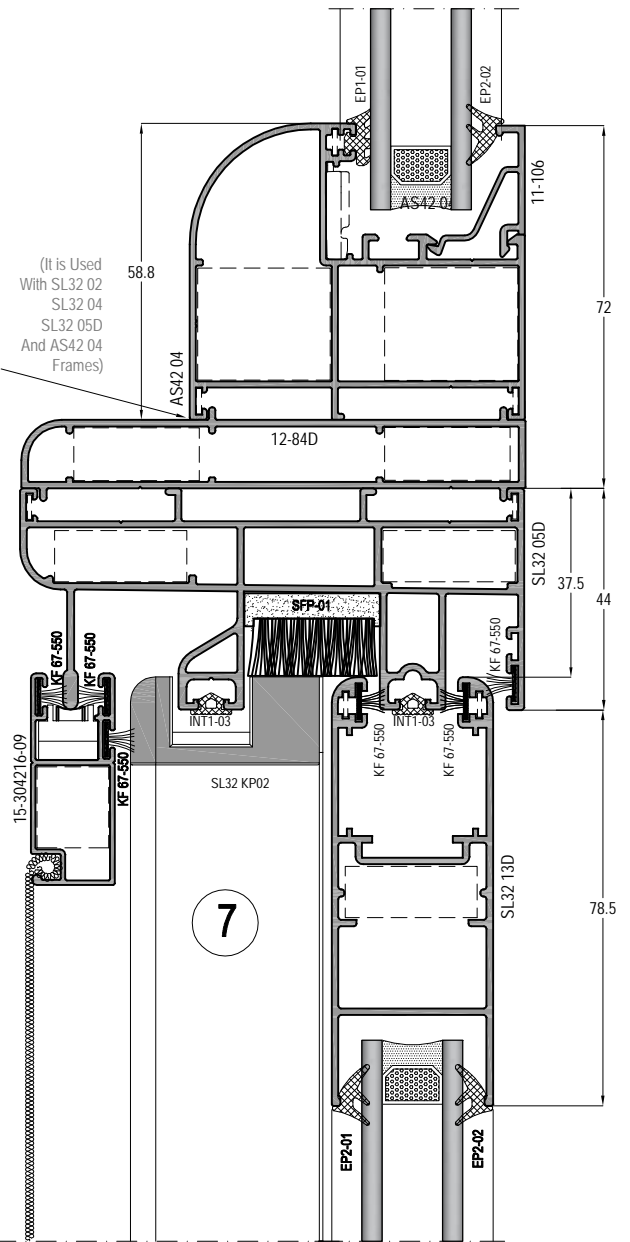
(It is Used
With SL32 02
SL32 04
SL32 05D
And AS42 04
Frames)



5



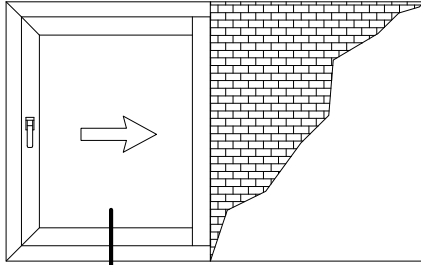
6



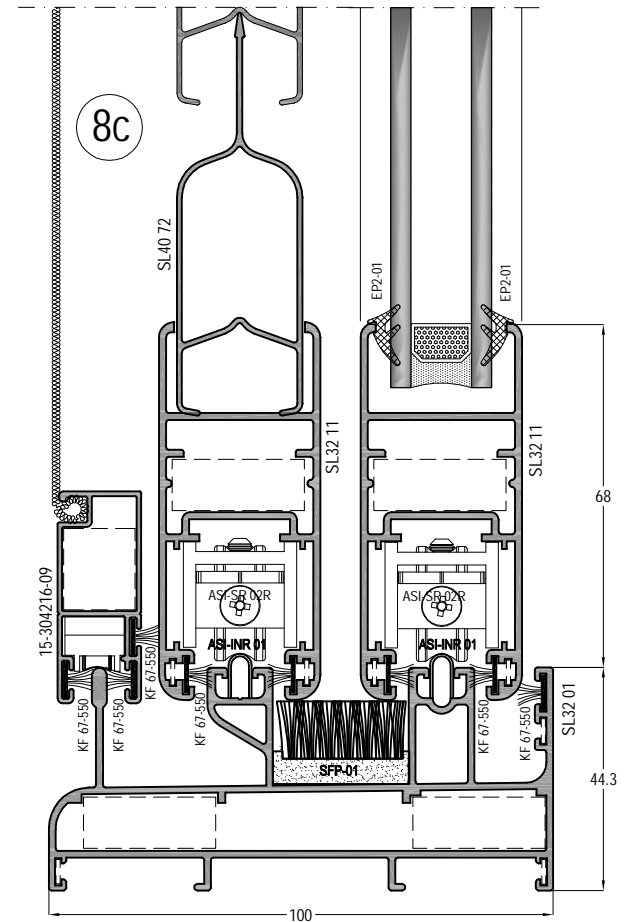
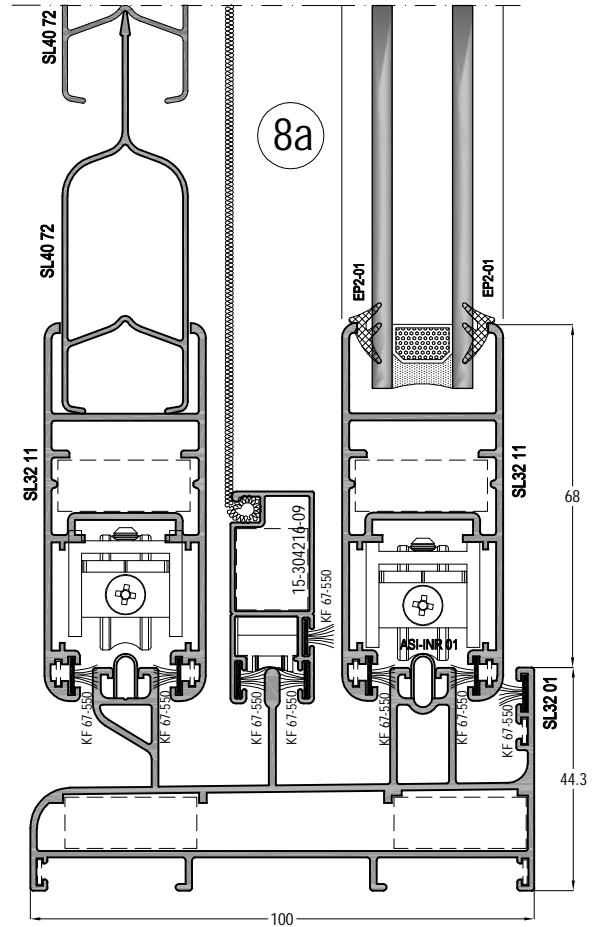
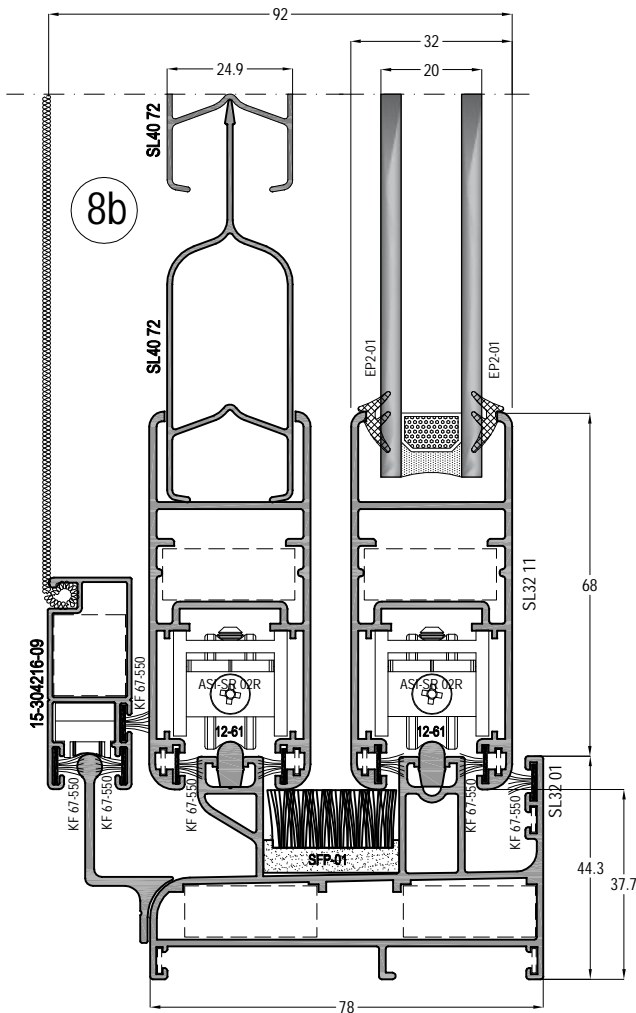
7

SL32 - 1,4mm

YALITIMSIZ SÜRME SİSTEMİ
COLD SLIDING SYSTEM

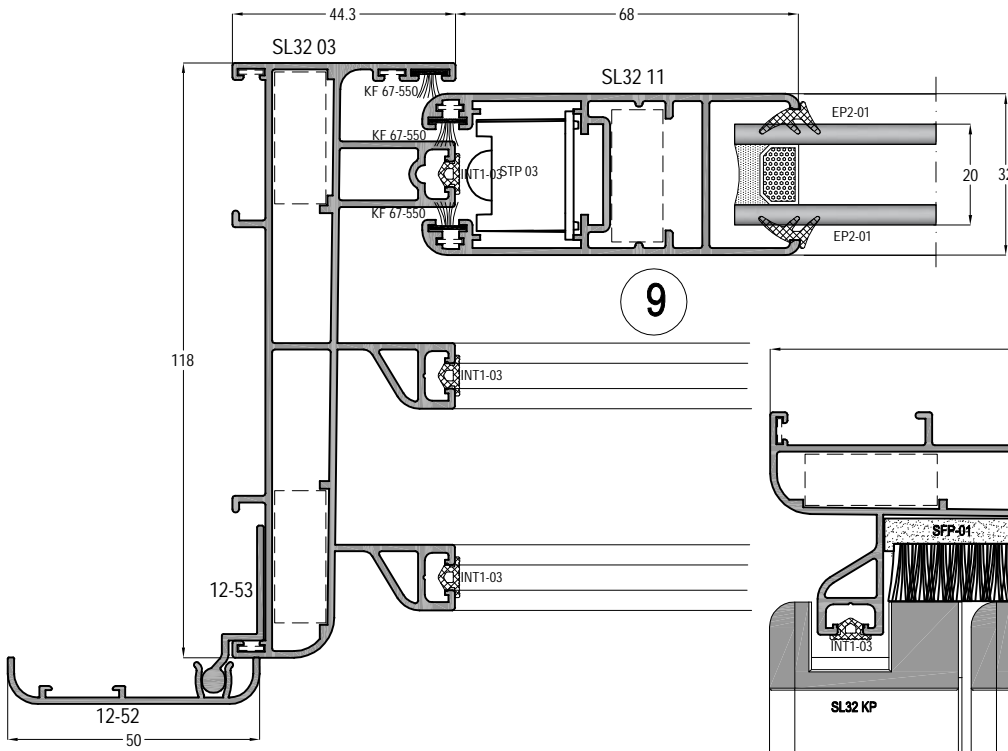


8a
8b
8c

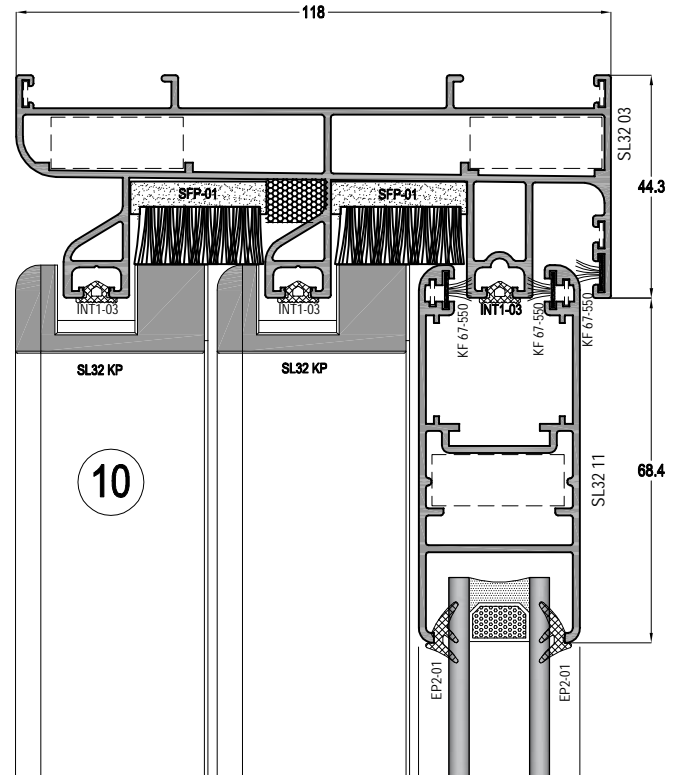
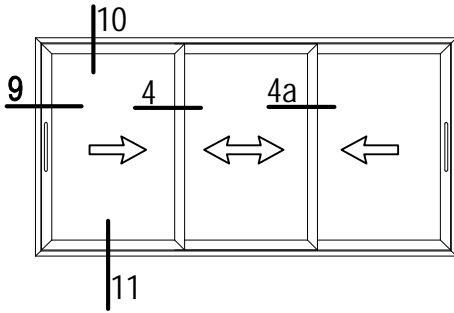


SL32 - 1,4mm

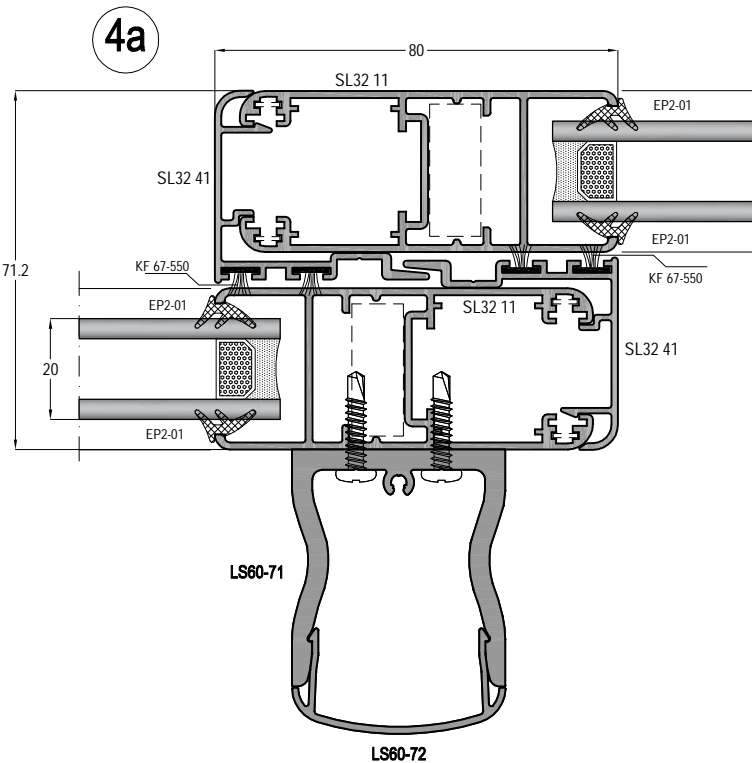
YALITIMSIZ SÜRME SİSTEM
COLD SLIDING SYSTEM



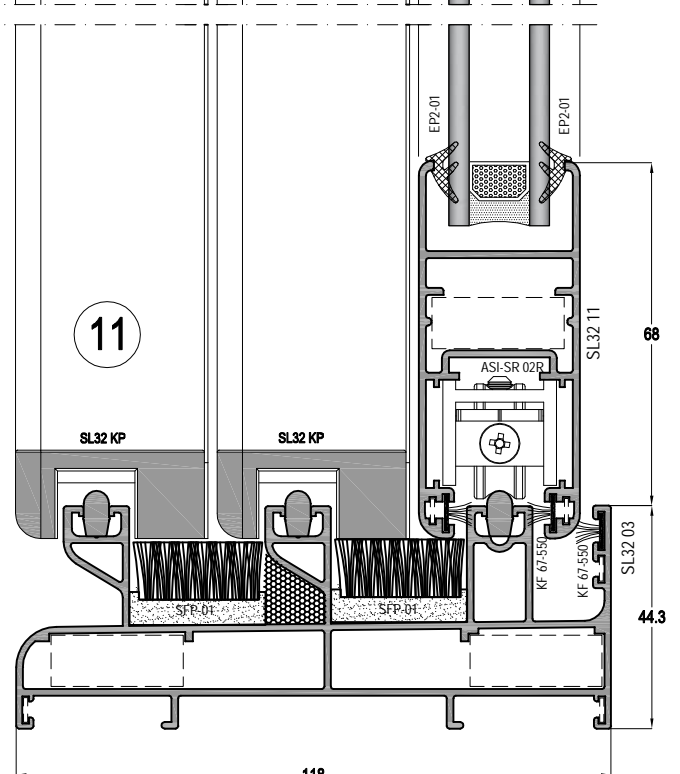
9



10



4a



11