



# Sertifika

## Certificate

Goldcert, assessed that the following organisation has established and maintained a proper management system according to relevant standard

### ASİST ALÜMİNYUM PROFİL SANAYİ VE TİCARET ANONİM ŞİRKETİ

Carried out at following site/s

ORGANİZE SANAYİ BÖLGESİ 2.CADDE  
MERKEZ – KIRKLARELİ / TÜRKİYE

for their

**ISO 14001:2015**  
ENVIRONMENTAL MANAGEMENT SYSTEM

With a scope of

**MANUFACTURING AND SALES OF ALUMINIUM PROFILES**

Certificate No : GC-16-1617  
Initial Registration Date : 01/07/2016  
Certification Date : 29/06/2019 Rev:3  
Valid Until : 28/06/2022



Çevre Yönetim Sistemi  
TS EN ISO/IEC 17021-1

AB-0099-YS



TÜRKAK BDS NO  
YS-9B8D-D2CF

General Manager

*Erdin Aydin*



This certificate is valid until the Goldcert certification requirements are complied. Certificate validity checking could be done by reading the square code on the certificate by mobile devices or by using "TÜRKAK BDS Number" from the <https://tbd.s.turkak.org.tr> document verification system

SERTİFİKA BELGELENDİRME DENETİM MUAYENE ve EĞİTİM HİZMETLERİ LTD. ŞTİ.  
İkitelli OSB Giyim Sanatkarları Sanayi Sitesi 3. Ada A Blok No: 301 Başakşehir 34490 İstanbul/TÜRKİYE  
Tel: +90 212 407 01 00 Faks: +90 212 407 00 17 info@goldcert.com.tr



# Sertifika

## Certificate

Goldcert, assessed that the following organisation has established and maintained a proper management system according to relevant standard

### ASİST ALÜMİNYUM PROFİL SANAYİ VE TİCARET ANONİM ŞİRKETİ

Carried out at following site/s

ORGANİZE SANAYİ BÖLGESİ 2.CADDE  
MERKEZ – KIRKLARELİ / TÜRKİYE

for their

**ISO 9001:2015**  
QUALITY MANAGEMENT SYSTEM

With a scope of

**MANUFACTURING AND SALES OF ALUMINIUM PROFILES**

Certificate No : GC-16-1616  
Initial Registration Date : 01/07/2016  
Certification Date : 29/06/2019 Rev:3  
Valid Until : 28/06/2022



Kalite Yönetim Sistemi  
TS EN ISO/IEC 17021-1

AB-0099-YS



TÜRKAK BDS NO  
YS-9D67-7D31

General Manager

*Erdur Aydin*



This certificate is valid until the Goldcert certification requirements are complied. Certificate validity checking could be done by reading the square code on the certificate by mobile devices or by using "TÜRKAK BDS Number" from the <https://bds.turkak.org.tr> document verification system

SERTİFİKA BELGELENDİRME DENETİM MUAYENE ve EĞİTİM HİZMETLERİ LTD. ŞTİ.  
İkitelli OSB Giyim Sanatkarları Sanayi Sitesi 3. Ada A Blok No: 301 Başakşehir 34490 İstanbul/TÜRKİYE  
Tel: +90 212 407 01 00 Faks: +90 212 407 00 17 info@goldcert.com.tr

goldcert.com.tr sertifika.com.tr

S-F.07/1



# Sertifika

## Certificate

Goldcert, assessed that the following organisation has established and maintained a proper management system according to relevant standard

### ASİST ALÜMİNYUM PROFİL SANAYİ VE TİCARET ANONİM ŞİRKETİ

Carried out at following site/s

ORGANİZE SANAYİ BÖLGESİ 2.CADDE  
MERKEZ – KIRKLARELİ / TÜRKİYE

for their

### OHSAS 18001:2007

OCCUPATIONAL HEALTH AND SAFETY MANAGEMENT SYSTEM

With a scope of

### MANUFACTURING AND SALES OF ALUMINIUM PROFILES

Certificate No : GC-16-1618  
Initial Registration Date : 01/07/2016  
Certification Date : 29/06/2019 Rev:1  
Valid Until : 28/06/2022

General Manager

*Erdem Ayder*



This certificate is valid until the Goldcert certification requirements are completed. Validity of the certificate could be checked from the contact information given below

SERTİFİKA BELGELENDİRME DENETİM MUAYENE ve EĞİTİM HİZMETLERİ LTD. ŞTİ.  
İkitelli OSB Giyim Sanatkarları Sanayi Sitesi 3. Ada A Blok No: 301 Başakşehir 34490 İstanbul/TÜRKİYE  
Tel: +90 212 407 01 00 Faks: +90 212 407 00 17 info@goldcert.com.tr

goldcert.com.tr sertifika.com.tr

S-F.07/1



Reg. Number	17955 - T		
First issue date	2019-06-25	Last change date	2019-06-25
Valid Until	2022-06-24	IATF Number	0356373

Quality Management System Certificate  
**IATF 16949:2016**

We certify that the Quality Management System of the Organization:

**ASİST ALÜMİNYUM PROFİL SAN. VE TİC. A.Ş.**

Is in compliance with the standard IATF 16949:2016 for the following products/services:

Manufacturing of aluminium profiles by extrusion, heat treatment and anodizing.

Chief Operating Officer  
Giampiero Belcredi

**Exclusions:** 8.3 related to the product design

This certificate is issued in conformity with IATF Rules – Fifth Edition.

Maintenance of the certification is subject to annual survey and dependent upon the observance of Kiwa Cermet Italia contractual requirements.

This certificate is composed of 1 page.

Kiwa Cermet Italia S.p.A.  
Società con socio unico,  
soggetta all'attività di  
direzione e coordinamento di  
Kiwa Italia Holding Srl  
Via Cadrano, 23  
40057 Granarolo dell'Emilia  
(BO)  
Tel +39.051.459.3.111  
Fax +39.051.763.382  
E-mail: info@kiwacermet.it  
www.kiwa.it

**ASİST ALÜMİNYUM PROFİL SAN. VE TİC. A.Ş.**

**Certified Sites**

- Kırklareli OSB 2. Cad. No: 2 Kırklareli, 39100 – Turkey



CERTIFICATE

**Kiwa Belgelendirme Hizmetleri Anonim Şirketi**  
İTOSB 9. Cad. No:15 Tepeören Tuzla, İstanbul, Turkey

## **Certificate of conformity of the factory production control**

**1984-CPR-0011/01**

In compliance with Regulation (EU) No 305/2011 of the European Parliament and of the Council of 9 March 2011 (the Construction products Regulation or CPR), this certificate applies to the construction product

### **EXTRUDED ALUMINIUM ROD, BAR, TUBE AND PROFILE**

As stated in the annex of this certificate (page 2)

placed on the market under the name or trade mark of

### **ASİST ALÜMİNYUM PROFİL SANAYİ VE TİCARET ANONİM ŞİRKETİ**

and produced in the manufacturing plant

### **Organize Sanayi Bölgesi No:2 Cad:2 Kırklareli, Turkey**

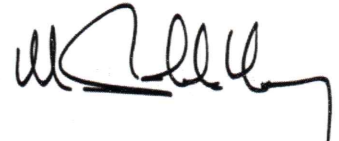
This certificate attests that all provisions concerning the assessment and verification of constancy of performance described in Annex ZA of the standard.

**EN 15088:2005**

Under system 2+ are applied and that

the factory production control is assessed to be in conformity with the applicable requirements

This certificate was first issued on 24.04.2017 and will remain valid as long as neither the harmonised standard, the construction product, the AVCP methods nor the manufacturing conditions in the plant are modified significantly, unless suspended or withdrawn by the notified factory production control certification body.



Head of Notified Body

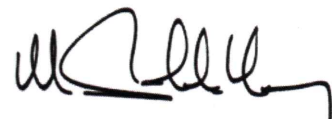
Istanbul 18.05.2018

Notified Body 1984, Kiwa Belgelendirme Hizmetleri A.Ş.  
**Certificate of Conformity of The Factory Production Control**  
**1984-CPR-0011/01**

CERTIFICATE

Product	General provisions / assessment and test methods	Requirements for specific properties (referenced in product standard)			Dimensions
		Mechanical properties	Tolerances		
Extruded rod / bar	EN 755-1	EN 755-2	Round	EN 755-9, EN 12020-2	5 mm – 75 mm
			Square		5 mm – 65 mm
			Rectangular		Min. 1x10 mm – Max. 15x250 mm
			Hexagonal		Min. 5 mm - Max. 80 mm
Extruded tube	EN 755-1	EN 755-2	Seamless round tube	EN 755-9, EN 12020-2	Min. 5 (ID) 6(OD), Max. 177(ID) 180(OD)
			Seamless square tube		Min. 10 mm, 0.9 mm; (Wall thickness) Max. 135 mm, 1.5 mm; (Wall thickness)
			Seamless rectangular tube		Max. a= 250 mm Max. b= 50 mm
Extruded profile	EN 755-1	EN 755-2	EN 755-9, EN 12020-2		Profile of press sleeve up to 184 mm in diameter
Precision profile made by extrusion	EN 12020-1	EN 755-2	EN 12020-2		Profile of press sleeve up to 184 mm in diameter
Anodized coated profile	EN 4922	EN 755-2	EN 4922		Profile of press sleeve up to 184 mm in diameter

18 May 2018, Istanbul, Turkey

  
Head of Notified Body

# Authorization to use the quality sign



This is to certify that

## Asist Aluminyum Profil Sanayi ve Ticaret A.S.

Kirklareli O.S.B. 2. Cadde No:2  
TR – 39100 Kizilcikdere / Kirklareli

**Licence number: 1638**

is authorized to use the quality sign which is shown above, according to the regulations for the use of the quality label for ARCHITECTURAL ANODIZING as described in the current edition of the Specifications for the QUALANOD quality label for sulfuric acid-based anodizing of aluminium (Edition 01.01.2021). Architectural anodizing is one of the four types of anodizing covered by the Specifications.

**Date of issue of the licence:**

**29.08.2014**

**Period of validity of the licence:**

**until 31.12.2021**

Zurich, 20 November 2020

**QUALANOD**

**CERTIFICATION BODY**

Dr. Metin Yilmaz  
President

Monica Gerber  
General Secretary



Mailing address:  
QUALANOD, P.O. Box, CH-8027 Zurich

Domicile:  
QUALANOD  
c/o ARCO Association Management AG  
(certification body)  
Tödistrasse 42, CH-8002 Zurich

Website: [www.qualanod.net](http://www.qualanod.net)

E-Mail: [info@qualanod.net](mailto:info@qualanod.net) // Phone: +41 (0)43 305 09 77 / 81

# CERTIFICATE

for a COATING APPLICATOR



SEASIDE

hereby authorises

**Asist Aluminyum Profil Sanayi ve Ticaret A.S.**

Kirklareli O.S.B. 2. Cadde No:2  
39100 Kizilcikdere / Kirklareli  
Turkey

to use the quality label in conformity with the  
QUALICOAT 2021 Specifications, applicable from 1 January 2021

Licence No.: 1432

Date of Granting: 17.09.2014

Valid until: 31.12.2021

Zurich, 1 January 2021

QUALICOAT

*M. C. Panam*

Mohammed C. Panam  
President



*Sue C. C. Paredi*

Sue C. C. Paredi  
Managing Director







**TÜRK STANDARDLARI ENSTİTÜSÜ**  
**TÜRK STANDARDLARINA UYGUNLUK BELGESİ**  
**TURKISH STANDARDS INSTITUTION**  
**CERTIFICATE OF CONFORMITY TO TURKISH STANDARDS**

Markanın Tanımı Description of the Mark  
TSE veya/or  veya/or T S E

<b>BELGE NUMARASI</b> REFERENCE NUMBER OF LICENCE	062527-TSE-04/02
<b>BELGENİN İLK VERİLİŞ TARİHİ</b> DATE OF FIRST ISSUE OF LICENCE	26.12.2018
<b>BELGENİN SON GEÇERLİLİK TARİHİ</b> LICENCE VALID UNTIL	26.12.2021
<b>BELGE SAHİBİ KURULUŞUN ADI</b> NAME OF THE LICENCE HOLDER	ASİST ALÜMİNYUM PROFİL SANAYİ VE TİCARET ANONİM ŞİRKETİ
<b>BELGE SAHİBİ KURULUŞUN ADRESİ</b> ADDRESS OF THE LICENCE HOLDER	OSB 2.Cadde No: 2 / Merkez KIRKLARELİ/TÜRKİYE
<b>ÜRETİM YERİ ADI</b> NAME OF THE MANUFACTURING PLACE	ASİST ALÜMİNYUM PROFİL SANAYİ VE TİCARET ANONİM ŞİRKETİ
<b>ÜRETİM YERİ ADRESİ</b> ADDRESS OF THE MANUFACTURING PLACE	OSB 2.Cadde No: 2 / Merkez KIRKLARELİ / TÜRKİYE
<b>İPTAL EDİLEN BELGE NUMARASI (Varsa)</b> INDICATION OF SUPERSEDED LICENCE (if any)	062527-TSE-04/01
<b>TESCİLLİ TİCARİ MARKASI</b> REGISTERED TRADE MARK	asistal
<b>İLGİLİ TÜRK STANDARDI</b> RELATED TURKISH STANDARD	TS EN 755-1:2016 / 09.12.2016
<b>BELGE KAPSAMI</b> SCOPE OF LICENCE	

Alüminyum ve alüminyum alaşımları Ekstrüzyonla imal edilmiş PROFİLLER  
– EN AW 6060 ve EN AW 6063 alaşımdan imal edilmiş,  
Alüminyum ve alüminyum alaşımları Ekstrüzyonla imal edilmiş LUMBOZ BORU  
– EN AW 6063 alaşımdan imal edilmiş, ( KG. 17.09.2019)  
Alüminyum ve alüminyum alaşımları Ekstrüzyonla imal edilmiş YUVARLAK BORU  
– EN AW 6060 alaşımdan imal edilmiş, ( KG. 17.09.2019)

*e-imzalı/e-signed*

29.12.2020

Belgelendirme Merkezi Başkanı Adına  
AHMET NURSİ KARTAL

TSE İSTANBUL BELGELENDİRME MÜDÜRÜ

\*Bu belge, belgelendirilen ürünün, üretim yerinin Enstitümüzün belirlediği şartları karşıladığını da gösterir.  
\*Bu belge, hiç bir suretle tahrif edilemez, kısmen veya okunmasını zorlaştıracak şekilde çoğaltılamaz, kazıntı ve silinti yapılamaz.  
\*TSE İSTANBUL BELGELENDİRME MÜDÜRLÜĞÜ \* Adres: Çayyova Tren İstasyonu Yanı ÇAYIROVA/GEBZE \* Telefon: 2627231273 \* Faks: 2627231606  
\*TSE BELGELENDİRME MERKEZ BAŞKANLIĞI; Adres: Necatibey Cad. No:112 06100 Bakanlıklar/ANKARA – Telefon: 0 312 416 64 81 / 416 64 27, Faks:0 312 416 66 17 E-posta :bmb@tse.org.tr , web : www.tse.org.tr





**TÜRK STANDARDLARI ENSTİTÜSÜ**  
**TÜRK STANDARDLARINA UYGUNLUK BELGESİ**  
**TURKISH STANDARDS INSTITUTION**  
**CERTIFICATE OF CONFORMITY TO TURKISH STANDARDS**

Markanın Tanımı Description of the Mark  
TSE veya/or  veya/or T S E

<b>BELGE NUMARASI</b> REFERENCE NUMBER OF LICENCE	062527-TSE-03/02
<b>BELGENİN İLK VERİLİŞ TARİHİ</b> DATE OF FIRST ISSUE OF LICENCE	03.07.2014
<b>BELGENİN SON GEÇERLİLİK TARİHİ</b> LICENCE VALID UNTIL	03.07.2021
<b>BELGE SAHİBİ KURULUŞUN ADI</b> NAME OF THE LICENCE HOLDER	ASİST ALÜMİNYUM PROFİL SANAYİ VE TİCARET ANONİM ŞİRKETİ
<b>BELGE SAHİBİ KURULUŞUN ADRESİ</b> ADDRESS OF THE LICENCE HOLDER	OSB 2.Cadde No: 2 / Merkez KIRKLARELİ/TÜRKİYE
<b>ÜRETİM YERİ ADI</b> NAME OF THE MANUFACTURING PLACE	ASİST ALÜMİNYUM PROFİL SAN TİC AŞ
<b>ÜRETİM YERİ ADRESİ</b> ADDRESS OF THE MANUFACTURING PLACE	OSB 2.Cadde No: 2 / Merkez KIRKLARELİ / TÜRKİYE
<b>İPTAL EDİLEN BELGE NUMARASI (Varsa)</b> INDICATION OF SUPERSEDED LICENCE (if any)	062527-TSE-03/01
<b>TESCİLLİ TİCARİ MARKASI</b> REGISTERED TRADE MARK	asistal
<b>İLGİLİ TÜRK STANDARDI</b> RELATED TURKISH STANDARD	TS EN 12020-1 / 02.03.2010
<b>BELGE KAPSAMI</b> SCOPE OF LICENCE	

Alüminyum ve alüminyum alaşımları - EN AW- 6060 ve EN AW- 6063 alaşımlarından ekstrüzyon ile imal edilmiş hassas profiller  
- EN AW- 6060 ve EN AW- 6063 alaşımdan imal edilmiş, Isıl bariyerli ve ısıl bariyersiz hassas profiller

*e-imzalı/e-signed*

18.08.2020

Belgelendirme Merkezi Başkanı Adına  
AHMET NURSİ KARTAL

TSE İSTANBUL BELGELENDİRME MÜDÜRÜ

\*Bu belge, belgelendirilen ürünün, üretim yerinin Enstitümüzün belirlediği şartları karşıladığını da gösterir.

\*Bu belge, hiç bir suretle tahrif edilemez, kısmen veya okunmasını zorlaştıracak şekilde çoğaltılamaz, kazıntı ve silinti yapılamaz.

\*TSE İSTANBUL BELGELENDİRME MÜDÜRLÜĞÜ \* Adres: Çayırova Tren İstasyonu Yanı ÇAYIROVA/GEBZE \* Telefon: 2627231273\* Faks: 2627231606

\*TSE BELGELENDİRME MERKEZ BAŞKANLIĞI; Adres: Necatibey Cad. No:112 06100 Bakanlıklar/ANKARA – Telefon: 0 312 416 64 81 / 416 64 27, Faks:0 312 416 66 17 E-posta :bmb@tse.org.tr , web : www.tse.org.tr





**TÜRK STANDARDLARI ENSTİTÜSÜ**  
**TÜRK STANDARDLARINA UYGUNLUK BELGESİ**  
**TURKISH STANDARDS INSTITUTION**  
**CERTIFICATE OF CONFORMITY TO TURKISH STANDARDS**

Markanın Tanımı Description of the Mark  
TSE veya/or  veya/or T S E

<b>BELGE NUMARASI</b> REFERENCE NUMBER OF LICENCE	062527-TSE-01/02
<b>BELGENİN İLK VERİLİŞ TARİHİ</b> DATE OF FIRST ISSUE OF LICENCE	04.04.2014
<b>BELGENİN SON GEÇERLİLİK TARİHİ</b> LICENCE VALID UNTIL	24.07.2021
<b>BELGE SAHİBİ KURULUŞUN ADI</b> NAME OF THE LICENCE HOLDER	ASİST ALÜMİNYUM PROFİL SANAYİ VE TİCARET ANONİM ŞİRKETİ
<b>BELGE SAHİBİ KURULUŞUN ADRESİ</b> ADDRESS OF THE LICENCE HOLDER	OSB 2.Cadde No: 2 / Merkez KIRKLARELİ/TÜRKİYE
<b>ÜRETİM YERİ ADI</b> NAME OF THE MANUFACTURING PLACE	ASİST ALÜMİNYUM PROFİL SAN TİC AŞ
<b>ÜRETİM YERİ ADRESİ</b> ADDRESS OF THE MANUFACTURING PLACE	OSB 2.Cadde No: 2 / Merkez KIRKLARELİ / TÜRKİYE
<b>İPTAL EDİLEN BELGE NUMARASI (Varsa)</b> INDICATION OF SUPERSEDED LICENCE (if any)	062527-TSE-01/01
<b>TESCİLLİ TİCARİ MARKASI</b> REGISTERED TRADE MARK	ASİSTAL ALÜMİNYUM
<b>İLGİLİ TÜRK STANDARDI</b> RELATED TURKISH STANDARD	TS 4922 / 15.01.2018
<b>BELGE KAPSAMI</b> SCOPE OF LICENCE	

- \* Alüminyum veya Alüminyum Alaşımlarının Anodik Oksidasyon İşlemi ile Kaplanması
- Kaplama kalınlığı sınıfı: AA 10
- Parlatma ön işlemleri tatbik edilmiş (E6)

*e-ımalı/e-signed*

18.08.2020

Belgeleendirme Merkezi Başkanı Adına  
AHMET NURSİ KARTAL

TSE İSTANBUL BELGELENDİRME MÜDÜRÜ

\*Bu belge, belgeleendirilen ürünün, üretim yerinin Enstitümüzün belirlediği şartları karşıladığını da gösterir.

\*Bu belge, hiç bir suretle tahrif edilemez, kısmen veya okunmasını zorlaştıracak şekilde çoğaltılamaz, kazıntı ve silinti yapılamaz.

\*TSE İSTANBUL BELGELENDİRME MÜDÜRLÜĞÜ \* Adres: Çayırova Tren İstasyonu Yanı ÇAYIROVA/GEBZE \* Telefon: 2627231273\* Faks: 2627231606

\*TSE BELGELENDİRME MERKEZ BAŞKANLIĞI; Adres: Necatibey Cad. No:112 06100 Bakanlıklar/ANKARA – Telefon: 0 312 416 64 81 / 416 64 27, Faks:0 312 416 66 17 E-posta :bmb@tse.org.tr , web : www.tse.org.tr





# Sertifika

## Certificate

Goldcert, assessed that the following organisation has established and maintained a proper management system according to relevant standard

### ASİST ALÜMİNYUM PROFİL SANAYİ VE TİCARET ANONİM ŞİRKETİ

Carried out at following site/s

ORGANİZE SANAYİ BÖLGESİ 2.CADDE  
MERKEZ – KIRKLARELİ / TÜRKİYE

for their

**ISO 45001:2018**  
OCCUPATIONAL HEALTH AND SAFETY MANAGEMENT SYSTEM

With a scope of

**MANUFACTURING AND SALES OF ALUMINIUM PROFILES**

Certificate No : GC-16-1618  
Initial Registration Date : 01/07/2016  
Certification Date : 01/07/2020 Rev:2  
Valid Until : 28/06/2022

General Manager

*Erdur Aydin*



This certificate is valid until the Goldcert certification requirements are complied. Validity of the certificate could be checked from the contact information given below

SERTİFİKA BELGELENDİRME DENETİM MUAYENE ve EĞİTİM HİZMETLERİ LTD. ŞTİ.  
İkitelli OSB Giyim Sanatkarları Sanayi Sitesi 3. Ada A Blok No: 301 Başakşehir 34490 İstanbul/TÜRKİYE  
Tel: +90 212 407 01 00 Faks: +90 212 407 00 17 info@goldcert.com.tr

goldcert.com.tr sertifika.com.tr

# Technical datasheet - Extruded products

## Alloy EN AW-6060 [AlMgSi]

Alloy 6060 offers good strength, slightly lower than 6063, very good corrosion resistance and is suitable for decorative anodizing. Used primarily for structures requiring good strength, very good surface finish and good anodising response, such as profiles for windows, doors, entrance lots, ceilings and furniture. This is also a commonly used alloy for thermal applications such as heat sinks.

### Typical Applications

- Architectural and building products
- Door and window frames
- Electrical components and conduit
- Heat sinks
- Railings and furniture
- Pipe and tube for irrigation systems
- Truck and trailer flooring
- Ladders

### Chemical Composition <sup>1</sup>

Si	Fe	Cu	Mn	Mg	Cr	Zn	Ti	Pb	Bi	Sn	Others
Min Max	Min Max	Min Max	Min Max	Min Max	Min Max	Min Max	Min Max	Min Max	Max	Max	Each Tot
0.30 0.60	0.35	0.10	0.10	0.35 0.60	0.05	0.15	0.10				0.05 0.15

<sup>1</sup> Chemical composition in weight-% according to EN-573-3:2019

### Mechanical Properties <sup>2,3</sup>

Temper	Wall thickness t [mm]	R <sub>p0,2</sub> [MPa]	R <sub>m</sub> [MPa]	A [%]	A <sub>50mm</sub> [%]	HBW <sup>c</sup> TYPICAL VALUE	Vickers <sup>c</sup> TYPICAL VALUE
T4 <sup>a</sup>	t ≤ 25	60	120	16	14	50	56
T5	t ≤ 5	120	160	8	6	60	68
	5 < t ≤ 25	100	140	8	6	60	68
T6 <sup>a</sup>	t ≤ 5	150	190	8	6	70	80
	5 < t ≤ 25	140	170	8	6	70	80
T64 <sup>a,b</sup>	t ≤ 15	120	180	12	10	60	68
T66 <sup>a</sup>	t ≤ 5	160	215	8	6	75	86
	5 < t ≤ 25	150	195	8	6	75	86

<sup>2</sup> Properties according to EN 755-2:2016 for extruded profile, minimum values unless else specified

<sup>3</sup> If a profile cross section comprises different thickness which fall in more than one set of specified mechanical property values, the lowest specified value shall be considered as valid for the whole profile section

<sup>a</sup> Properties may be obtained by press quenching

<sup>b</sup> Bending quality

<sup>c</sup> Brinell hardness values for information only. Vickers converted from Brinell value and should be considered approximate

## Temper Designations <sup>4</sup>

T4	Solution heat treated and naturally aged
T5	Cooled from an elevated temperature shaping process and then artificially aged
T6	Solution heat treated and then artificially aged
T64	Solution heat treated and then artificially aged in underageing conditions (between T6 and T61) to improve formability
T66	Solution heat treated and then artificially aged – mechanical property level higher than T6 achieved through special control of the process

<sup>4</sup> Temper designations according to EN 515:2017

## Physical Properties <sup>5</sup>

Temper	Modulus of Elasticity [GPa]	Modulus of Rigidity [GPa]	Melting Range [°C]	Density [g/cm <sup>3</sup> ]	Thermal Conductivity [W/m·K]	Specific Heat Capacity [J/kg·K]	Electrical Resistivity [nΩm]	Coefficient of linear expansion [10 <sup>-6</sup> K <sup>-1</sup> ]
	69	26	615 - 655	2.70		901		23.4
T6					200		32	

<sup>5</sup> Reference: MNC Handbok nr 12, version 2, SIS, 1989. Typical properties at room temperature 20°C

## Comparative Characteristics of Related Alloys <sup>6</sup>

Property	6060	6063	6005	6005A	6082
Tensile strength	1	2	3	3	4
Impact strength	2	2	1	3	4
Surface finish	5	4	3	3	2
Suitability for decorative anodizing	5	5	4	3	2
Corrosion resistance	5	5	4	4	4
Machinability	2	3	4	4	5
Coldforming	5	5	4	4	3
Weldability	5	5	5	5	4

<sup>6</sup> Relative grading, 5 = top grade

## About Asistal Aluminum

Asistal Aluminum has a widespread sales network in the Marmara and Aegean Region and has been serving its customers since 1994. Our plant is located in Kırklareli Organized Industrial Zone, operating on a 44,500 m<sup>2</sup> outdoor area and a 22,500 m<sup>2</sup> indoor area. Following the latest technological developments, our plant has 5 inch, 6 inch, and 7 inch presses, anodic oxidation unit, electrostatic powder coating unit, wood transfer coating unit, insulation barrier assembly line, and mechanical processing unit. We are able to produce 15 m<sup>3</sup>/hour (360 m<sup>3</sup>/day) reusable water thanks to our chemical treatment unit in our environment-friendly facility. Asistal Aluminum exports to 40 countries in Europe, Middle East, Central America, and the Balkans in particular. We continue our services with our main sales points in Corlu, Tekirdag, Edirne, Istanbul, Izmir, Ankara, and Sofia, the capital of Bulgaria.



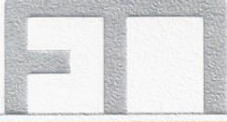
# FTI FASAD TEKNOLOJİ MERKEZİ / FTI Façade Testing Institute

Merkez / Head Office

Barbaros Mah. Sarkaç Sok. Ağaoğlu My Prestige No:1/124 Ataşehir / İstanbul / TÜRKİYE  
Tel: +90 216 575 88 80 Fax: +90 216 575 89 21 mail: info@fti-europe.com

Laboratuvar / Laboratory

Çakıl Mahallesi Şehit Tamer Aydın Sok. No:76 34540 Çatalca / İstanbul / TÜRKİYE  
Tel: +90 212 776 42 25 Fax: +90 212 776 40 58-59 mail: info@fti-europe.com



## DENEY SERTİFİKASI / Test Certificate



Test  
TS EN ISO/IEC 17025  
AB-0531-T

AB-0531-T
020 1042.1/2018
23 02 2018

**Müşterinin Adı ve Adresi / Customer's Name & Address:** ASİST ALUMİNYUM PROFİL SAN. VE TİC. A.Ş.

Kırklareli OSB 2. Cadde No:2 Kızılcıkdere / Kırklareli / TÜRKİYE

**Numunenin Adı ve Tanımı / Sample's Name & Description:** TH62 Window & Door System

**Numune Kabul Tarihi:** 27.12.2017

Acceptance Date of Item

**Referans No:** 2017.934

Reference No

**Uygulanan Normlar / Norms Applied:** TS EN 1026 , TS EN 12211

**Sonuçlar / Results:** TS EN 12207 Air Permeability Classification : Class 4 ( ± 600 Pa )

TS EN 12210 Wind Load Resistance Classification : Class C4 ( ± 1600 Pa )

**Test Tarihi / Date of Test**

27-28.12.2017

**Sayfa Sayısı / Number of Pages**

1 / 14

Deney laboratuvarı olarak faaliyet gösteren FTI Fasad Teknoloji Merkezi, TÜRKAK 'tan AB-0531-T numarası ile TS EN ISO/IEC 17025 standardına göre akredite edilmiştir.

FTI Façade Testing Institute accredited by TURKAK under registration number AB-0531-T for TS EN ISO/IEC 17025 as test laboratory.

Türk Akreditasyon Kurumu (TÜRKAK) deney laboratuvarlarının tanınırlığı konusunda Avrupa Akreditasyon Birliği (EU) ile Çok Taraflı Anlaşma ve Uluslararası Laboratuvar Akreditasyon Birliği (ILAC) ile karşılıklı tanıma anlaşması imzalamıştır.

Turkish Accreditation Agency (TURKAK) is a signatory to the European co-operation for Accreditation (EA) Multilateral Agreement (MLA) and to the International Laboratory Accreditation Cooperation (ILAC) Mutual Recognition Arrangement (MRA) for the recognition of test reports.

Deney ve/veya ölçüm sonuçları, genişletilmiş ölçüm belirsizlikleri (olması halinde) ve deney metotları bu sertifikanın tamamlayıcı kısmı olan takip eden sayfalarda verilmiştir. Bu sertifika yalnız test edilen numuneye ait sonuçları içerir ve ekte sunulan ilgili test raporu ile birlikte geçerlidir.

The test and/or measurement results, the uncertainties (if applicable) with confidence probability and test methods are given on the following pages. This certificate includes the test results of the specimen which is identified above and its valid with the related test report.

**Mühür / Seal**

**Tarih / Date**

23.02.2018

**Test Faaliyetleri Yöneticisi**

Testing Manager

Ayfer DİNCEL

**Laboratuvar Müdürü**

Laboratory Manager

Öner ARSLAN

F.15.22 REV. NO: F MART 2017



## TEST REPORT

- Testing Reference** : TS EN 1026 - Windows and doors - Air permeability - Test method  
TS EN 12211 - Windows and doors - Resistance to wind load - Test method
- Product / Project** : TH62 Window & Door System / TUAL ADALAR Project
- Prepared by** : Ayfer DİNCEL



## 1. PREFACE

This report comprises of tests and results, which were performed by FTI Façade Testing Institute at the address; Çakıl Mah. Şehit Teğmen Tamer Aydın Sok. No: 76 34540 Çatalca – İstanbul / TÜRKİYE.

Test sample is a "Door and Window System (Two Openable Sash)" which name is TH62 Window & Door System. has been constructed by ASİST ALUMİNYUM PROFİL SAN. VE TİC. A.Ş.

Tests were carried out for the determination of air infiltration, wind resistance performance tests.

Test sample has been sent to FTI Façade Testing Institute's testing laboratories on 27.12.2017.

## 2. CLIENT

ASİST ALUMİNYUM PROFİL SAN. VE TİC. A.Ş.

Kırklareli OSB 2. Cad. No.2

Kızılcıkdere / Kırklareli / TÜRKİYE

## 3. TEST METHODS

The above mentioned test has been carried out in project specifications and classified on the standard indicated below.

<u>Document No</u>	<u>Date of Press</u>	<u>Subject of Document</u>
TS EN 1026	07.2016	Windows and doors - Air permeability - Test method
TS EN 12207	03.2017	Windows and doors - Air permeability - Classification
TS EN 12211	07.2016	Windows and doors - Resistance to wind load - Test method
TS EN 12210	07.2016	Windows and doors - Resistance to wind load – Classification

## 4. TEST DATE AND PARTICIPANTS

Tests were performed on 27-28 / 12 / 2017 by the followings:

Öner ARSLAN FTI Laboratory Manager

Nilay BULUT FTI Testing Engineer

And witnesses;

Hasan SARAL ASİST Alüminyum Profil San. ve Tic. A.Ş.

Murat BAL Dağ Mühendislik

Özgür EFE KİMALSAN PVC Alüminyum Doğr. Cephe Sistemleri

## 5. DESCRIPTION OF TEST SAMPLE

Type of sample	Door and Window System ( Two Openable Sash )
System name	TH62 Window & Door System
Dimensions of sample	2170 mm x 3390 mm
Surface area of sample	7,36 m <sup>2</sup>
Dimensions of sash	930 mm x 2063 mm
Area of sash	3,84 m <sup>2</sup>
Sashes Joint Length	11,97 m
Class Type	4mm TRC HELIO CLEAR + 16mm (HB) + TEMPERLENEBİLİR SOLAR LOW-E CAM 6mm NOTRAL 62/44 (2.YÜZEY)(TR COLPLUS)

## 6. CONDITIONS

Date	:	27.12.2017	28.12.2017
Local Temperature (°C)	:	20	18
Atmospheric Pressure (mbar)	:	1013,0	1010,0
Ambient Humidity (%)	:	63	59

## 7. TEST PERFORMANCE

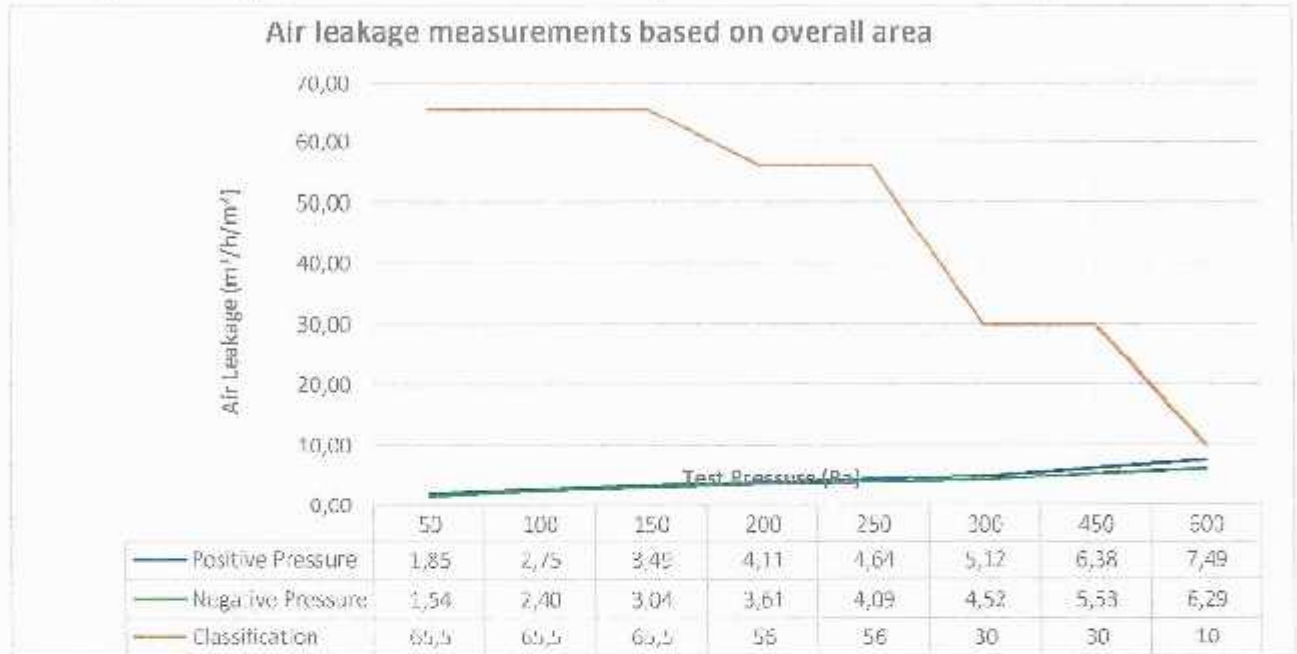
### Pressure Sequence

STEPS		POSITIVE PRESSURE (Pa)	NEGATIVE PRESSURE (Pa)
1	PA	600	600
2	PD	1600	1600

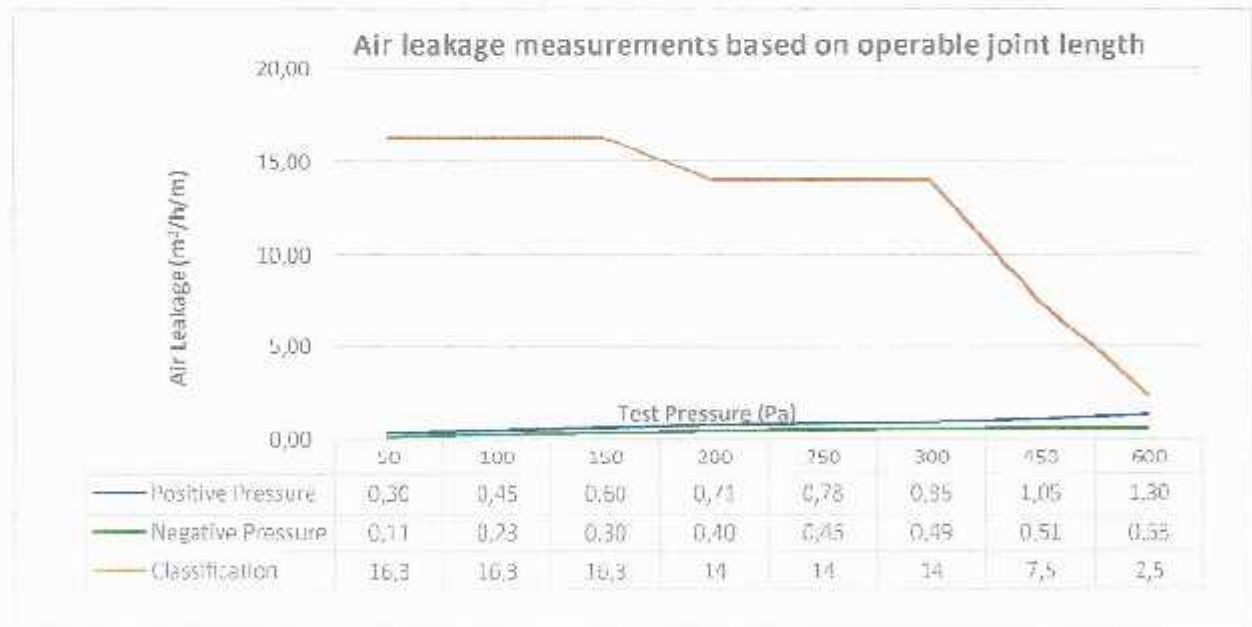
PA: Pressure for Airtightness ; PD: Design Pressure

### 7.1. Air Permeability – TS EN 1026

Before starting the test, 3 pulses at 660 Pa is applied to the sample. During the tests, the pressure at the following values is applied for 10 seconds. The following data includes the values of the system after taro.



*Test No: 2017.934.02-04 / 27.12.2017*



*Test No: 2017.934.05-06 / 27.12.2017*

**7.2. Resistance to Wind Load – TS EN 12211**

Before starting the test, 3 pulses at 1760 Pa for positive and negative design load test. Waiting duration between each impacts were 3 seconds. During the tests, the test pressure values are applied for 30 seconds.

Length of vertical profile  $L = 2088$  mm

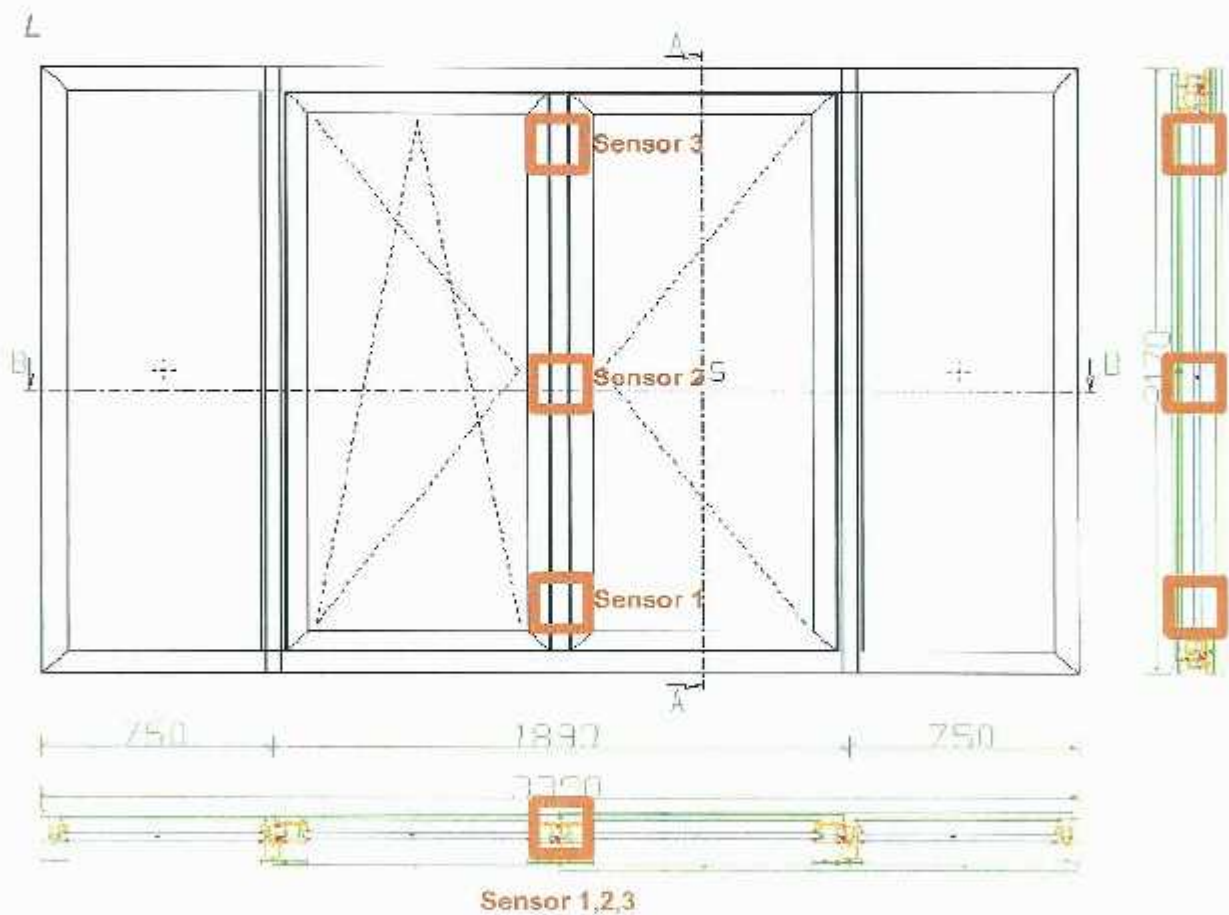
The measured frontal deflection ( $d$ ) on the vertical profile should not exceed identified limit which is determined according to the following criteria :

if  $d < L/150$ , Class A

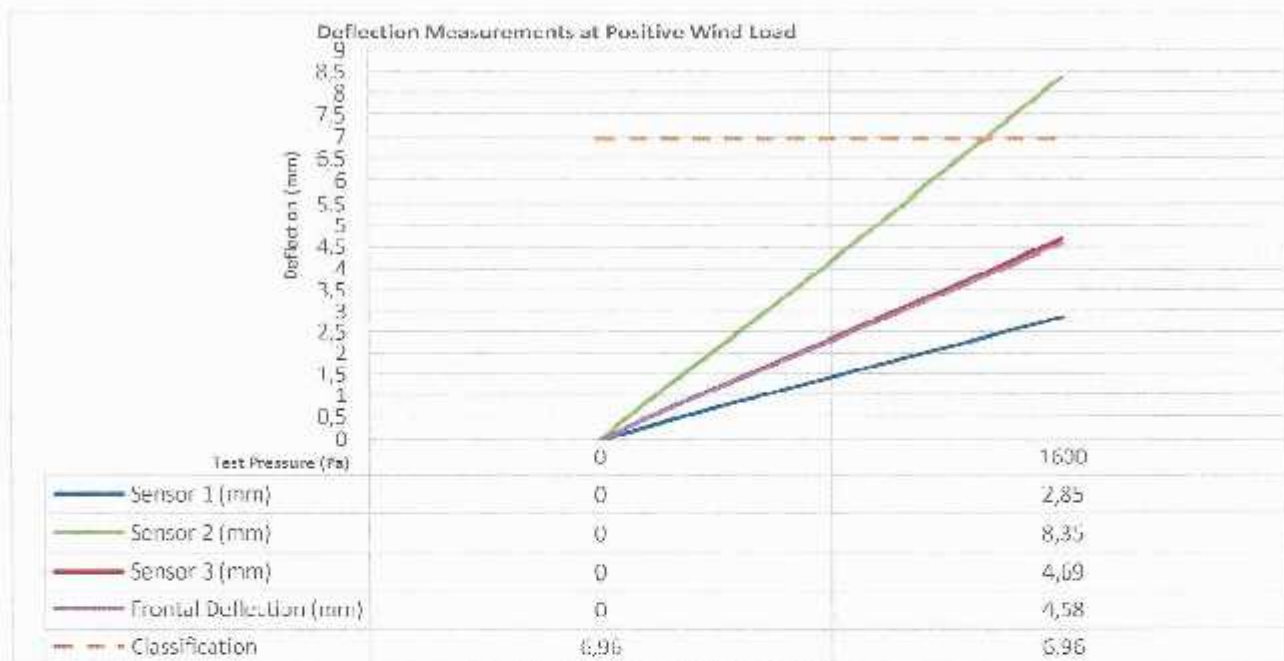
if  $d \leq L/200$ , Class B

if  $d \leq L/300$ , Class C

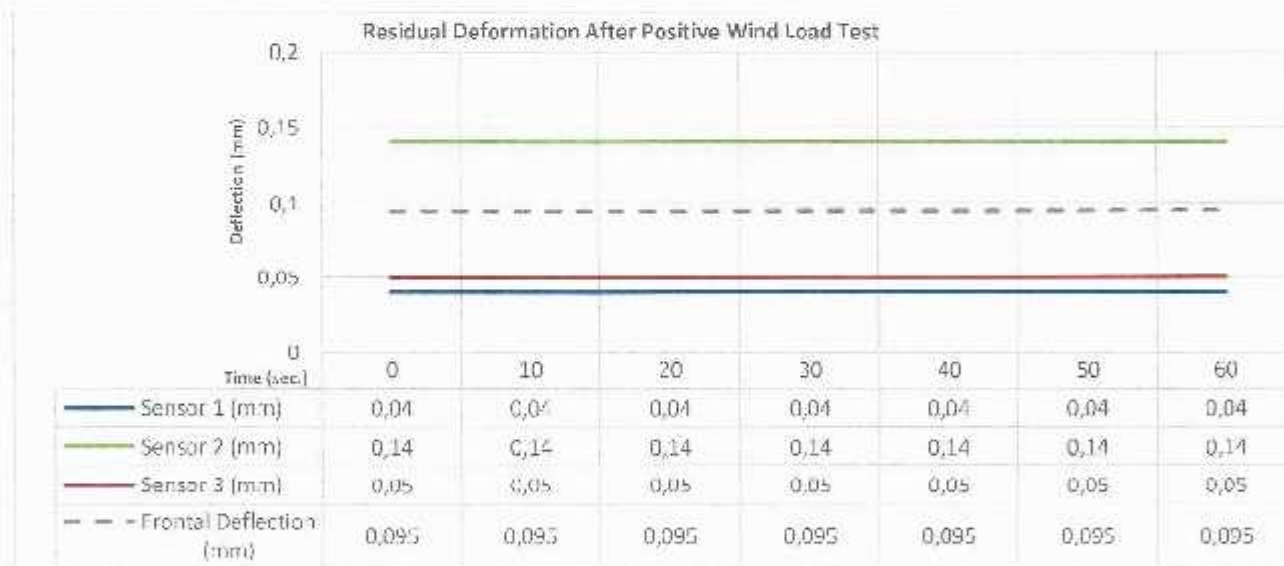
$2088 / 300 = 6,96$  mm for L/300 criteria.



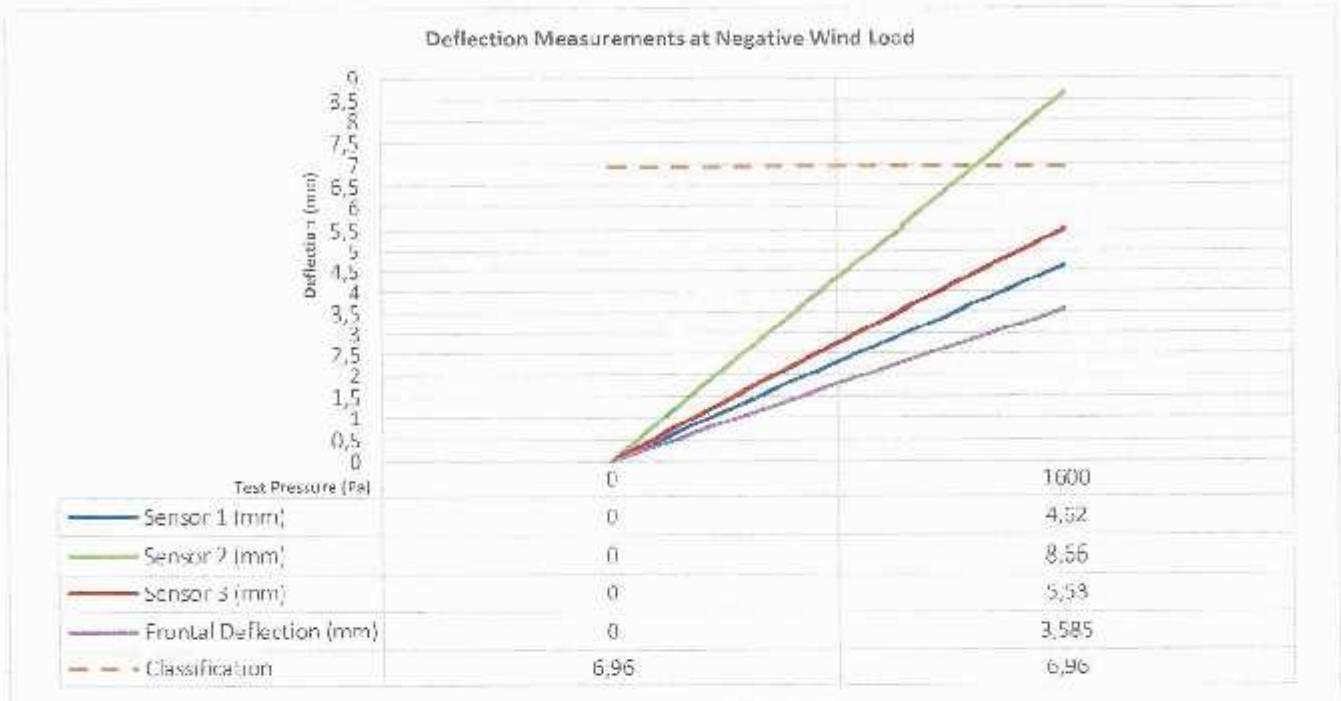
*Locations of the Sensors*



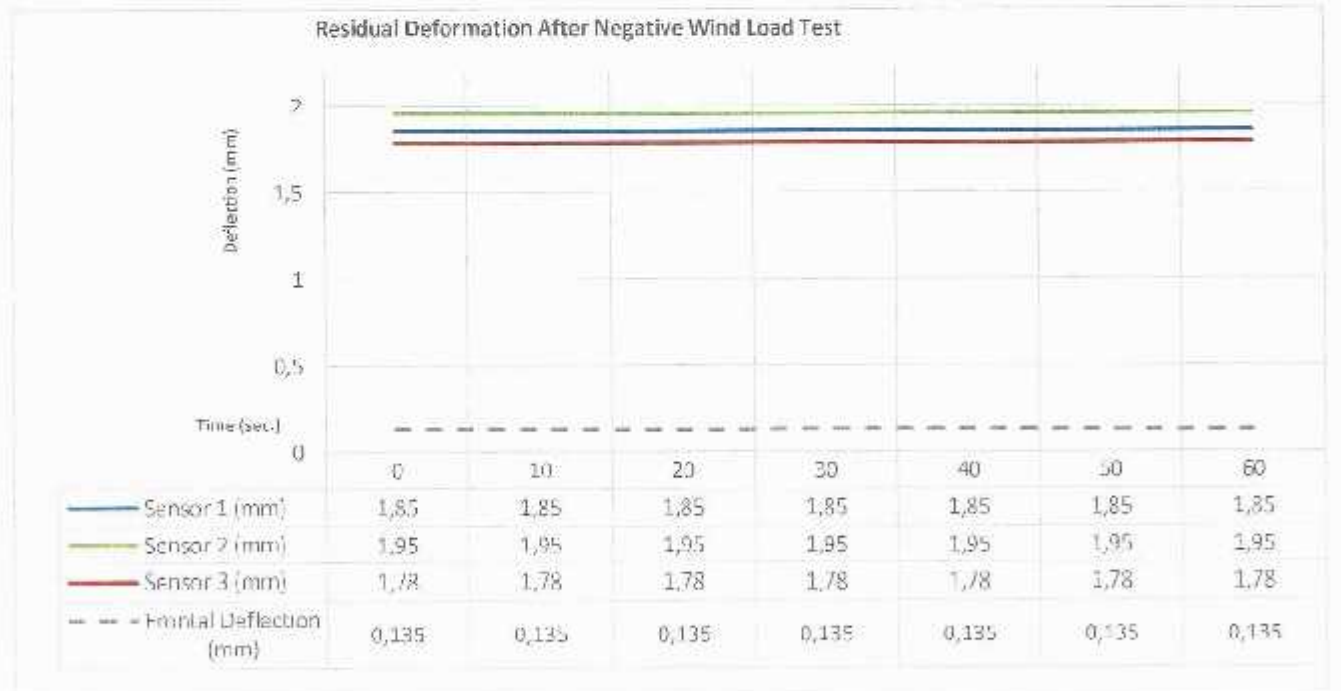
Test No: 2017.934.14 / 28.12.2017



Test No: 2017.934.14 / 28.12.2017



Test No: 2017.934.15 / 28.12.2017

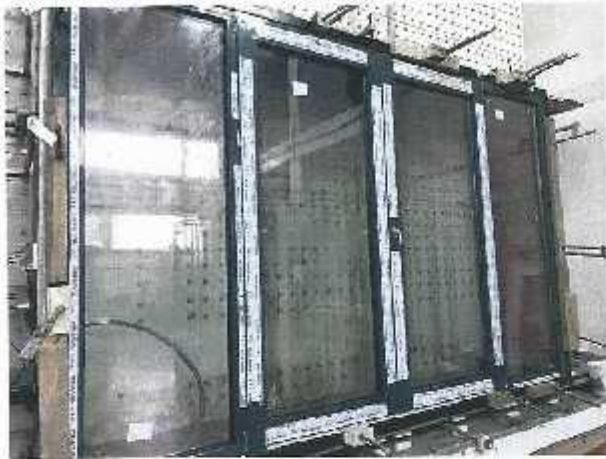


Test No: 2017.934.15 / 28.12.2017

8. RESULTS

	CONDITIONS	RESULT	CLASS
<b>AIR PERMEABILITY</b> TS EN 12207	at 600 Pa, air leakage <math>< 10 \text{ m}^3/(\text{h}\cdot\text{m}^2)</math> overall area at 600 Pa, air leakage <math>< 2.5 \text{ m}^3/(\text{h}\cdot\text{m})</math> operable joints length	Positive Pressure air leakage 7,49 1,30	Class 4
	at 600 Pa, air leakage <math>< 10 \text{ m}^3/(\text{h}\cdot\text{m}^2)</math> overall area at 600 Pa, air leakage <math>< 2.5 \text{ m}^3/(\text{h}\cdot\text{m})</math> operable joints length	Negative Pressure air leakage 6,29 0,53	Class 4
<b>RESISTANCE TO WIND LOAD (design load)</b> TS EN 12210	1600 Pa, L/300 = 6,96 mm frontal deflection <math>< L/300</math>	Positive Pressure frontal deflection 4,58 mm	Class C4
	1600 Pa, L/300 = 6,96 mm frontal deflection <math>< L/300</math>	Negative Pressure frontal deflection 3,58 mm	Class C4

9. TEST PHOTOS





Test  
TS EN ISO/IEC 17025  
AB-0531-T

AB-0531-T

020.1039 1/2018

19.02.2018

## Merkez / Head Office

Barbaros Mah. Sarıca Sok. Ağaoglu My Prestige No:1/124 Ataşehir / İstanbul / TÜRKİYE  
Tel: +90 216 575 88 80 Fax: +90 216 575 89 21 mail: info@fti-europe.com

## Laboratuvar / Laboratory

Çakıl Mahallesi Şehit Tamer Aydın Sok. No:76 34540 Çatalca / İstanbul / TÜRKİYE  
Tel : +90 212 776 42 25 Fax: +90 212 776 40 58-59 mail: info@fti-europe.com

## DENEY SERTİFİKASI / Test Certificate

Müşterinin Adı ve Adresi / Customer's Name & Address: ASIST ALUMİNYUM PROFİL SAN. VE TİC. A.Ş.  
Kırlareli OSB 2.Cadde No: 2 Kızılıkdere / Kırlareli / TÜRKİYE

Numunenin Adı ve Tanımı / Sample's Name & Description: TH62 Window and Door System

Numune Kabul Tarihi : 16.02.2018  
Acceptance Date of Item

Referans No : 2018.963  
Reference No

Uygulanan Normlar / Norms Applied: TS EN 1027

Sonuçlar / Results: Watertightness - TS EN 12208 ; Class 8A (450 Pa)

Test Tarihi / Date of Test  
16.02.2018

Sayfa Sayısı / Number of Pages  
1 / 15

Deney laboratuvarı olarak faaliyet gösteren FTI Fasad Teknoloji Merkezi, TÜRKAK 'tan AB-0531-T numarası ile TS EN ISO/IEC 17025 standardına göre akredite edilmiştir.

FTI Façade Testing Institute accredited by TURKAK under registration number AB-0531-T for TS EN ISO/IEC 17025 as test laboratory.

Türk Akreditasyon Kurumu (TÜRKAK) deney laboratuvarlarının tanınırlığı konusunda Avrupa Akreditasyon Birliği (EU) ile Çok Taraflı Anlaşma ve Uluslararası Laboratuvar Akreditasyon Birliği (ILAC) ile karşılıklı tanıma anlaşması imzalamıştır.

Turkish Accreditation Agency (TURKAK) is a signatory to the European co-operation for Accreditation (EA) Multilateral Agreement (MLA) and to the International Laboratory Accreditation Cooperation (ILAC) Mutual Recognition Arrangement (MRA) for the recognition of test reports.

Deney ve/veya ölçüm sonuçları, genişletilmiş ölçüm belirsizlikleri (olması halinde) ve deney metotları bu sertifikanın tamamlayıcı kısmı olan takip eden sayfalarda verilmiştir. Bu sertifika yalnız test edilen numuneye ait sonuçları içerir ve ekte sunulan ilgili test raporu ile birlikte geçerlidir.

The test and/or measurement results, the uncertainties (if applicable) with confidence probability and test methods are given on the following pages. This certificate includes the test results of the specimen which is identified above and its valid with the related test report.



Mühür / Seal

Tarih / Date

19.02.2018

Test Faaliyetleri Yöneticisi  
Testing Manager

Ayfer DİNCEL

Laboratuvar Müdürü  
Laboratory Manager

Öner ARSLAN

F.15.22 REV. NO: F MART 2017



## TEST REPORT

**Testing Reference** : TS EN 1027 - Windows and doors - Watertightness - Test method

**Product / Project** : TH 62 Window and Door System / TUAL ADALAR Project

**Prepared by** : Ayfer DİNCEL

---

**Accreditation Nr.** AB-0531-T

**Report Nr.** 020.1039.1/2018

**Date** 19.02.2018

2/15



## 1. PREFACE

This report comprises of tests and results, which were performed by FTI Façade Testing Institute at the address; Çakıl Mah. Şehit Teğmen Tamer Aydın Sok. No: 76 34540 Çatalca – İstanbul / TURKIYE.

Test sample is a “Door and Window System (Two Openable Sash)” which name is “TH 62 Window and Door System” has been constructed by ASİST ALUMİNYUM PROFİL SAN.ve TİC. A.Ş.

Test was carried out for the determination of watertightness performances.

Test sample has been sent to FTI Laboratory on 16.02.2018.

## 2. CLIENT

ASİST ALUMİNYUM PROFİL SAN. ve TİC. A.Ş.

Kırklareli OSB 2.Cadde No:2

Kızılcıkdere / Kırklareli / TÜRKİYE

## 3. TEST METHODS

The above mentioned test has been carried out in project specifications and classified on the standard indicated below.

<u>Document No</u>	<u>Date of Press</u>	<u>Subject of Document</u>
TS EN 1027	07.2016	Windows and doors - Watertightness - Test method
TS EN 12208	03.2004	Windows and doors - Watertightness – Classification

## 4. TEST DATE AND PARTICIPANTS

Tests were performed on 16.02.2018 by the following crew:

Mr. Öner ARSLAN FTI Laboratory Manager

Mrs. Ayfer DİNCEL FTI Testing Engineer

and the witnesses;

Mr. Oğuz ABDURRAHMANOĞLU ASİST ALUMİNYUM PROFİL SAN. ve TİC. A.Ş.

## 5. DESCRIPTION OF TEST SAMPLE

Type of sample	Door and Window System ( Two Openable Sash )
System Name	TH 62 Window & Door System
Dimension of Sample (L x H)	2294 mm x 3444 mm
Surface area of Sample	7,90 m <sup>2</sup>
Dimension of Sash-1 ( L x H )	885 mm x 2187 mm
Surface area of Sample	1,93 m <sup>2</sup>

Operable joint length	6,144 m
Dimension of Sash-2 ( L x H )	884,8 mm x 2187 mm
Surface area of Sample	1,93 m <sup>2</sup>
Operable joint length	6,144 m
Glass Type	4mm TRC HELIO CLEAR + 16mm (HB) + TEMPERLENEBİLİR SOLAR LOW-E CAM 6mm NOTRAL 62/44 (2.YÜZEY)(TR COOLPLUS)

*Please refer to the annexes for the system details.*



**Photo 1.** The view of the specimen ( Internal view )

## 6. CONDITIONS

Local Temperature	20	°C
Humidity	63	%
Atmospheric Pressure	1013,0	mbar

## 7. TEST PERFORMANCE

STEPS		POSITIVE PRESSURE (Pa)	NEGATIVE PRESSURE (Pa)
1	PW	600	-

PW: Pressure for Watertightness

### 7.1 Watertightness Under Static Pressure

Before starting the test, 3 pulses at 660 Pa were applied to the sample. Waiting duration between each impacts were 3 seconds. An adjustable device for spraying water 2,0 l/m<sup>2</sup>.min so that a constant and continuous film was applied to the outside surface of the specimen.

The amount of water applied to the façade = 2,0 l/m<sup>2</sup>.min x 7,90 m<sup>2</sup> = 15,8 l/min. = 948,0 l/h

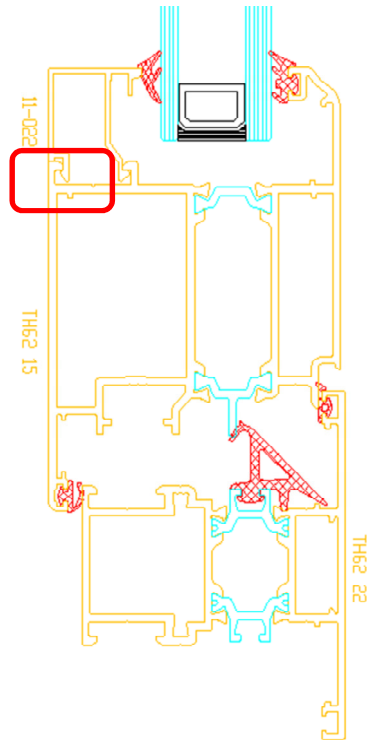
#### Observations

Pressure Value (Pa)	Time Period (min)	Observations
0	15	No water leakage was observed.
50	5	No water leakage was observed.
100	5	No water leakage was observed.
150	5	No water leakage was observed.
200	5	No water leakage was observed.
250	5	No water leakage was observed.
300	5	No water leakage was observed.
450	5	No water leakage was observed.
600	5	*Water leakage was observed.

Test No : 2018.963.01 / 16.02.2018



**Photos 2&3. Water leakage (Test No: 2018.963.01 / 16.02.2018)**

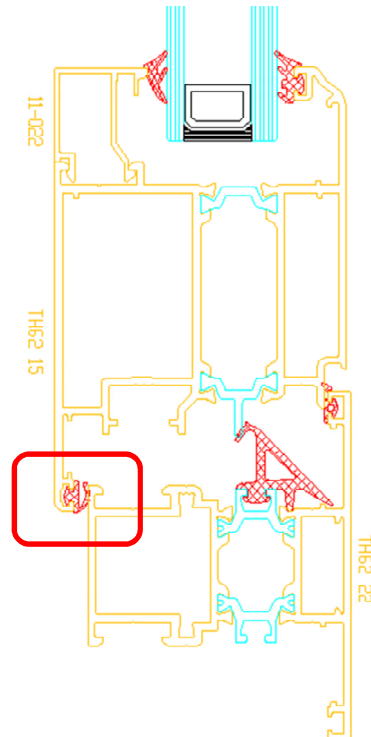


**Figure 1. Water leakage location (Test No: 2018.963.01 / 16.02.2018)**

*\*Water leakage was observed between 11-022 and TH62 15 profiles. ( Internal view)*



**Photo 4.** A view of water leakage (Test No: 2018.963.01 / 16.02.2018)



**Figure 2.** Water leakage location (Test No: 2018.963.01 / 16.02.2018.)

\*Water leakage was observed under sash profile. (Internal view )

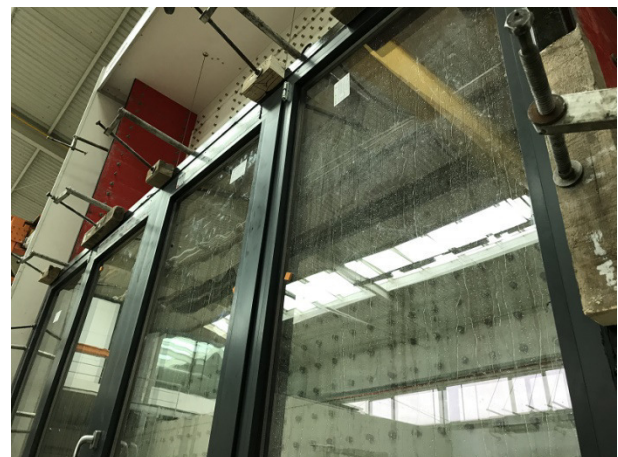


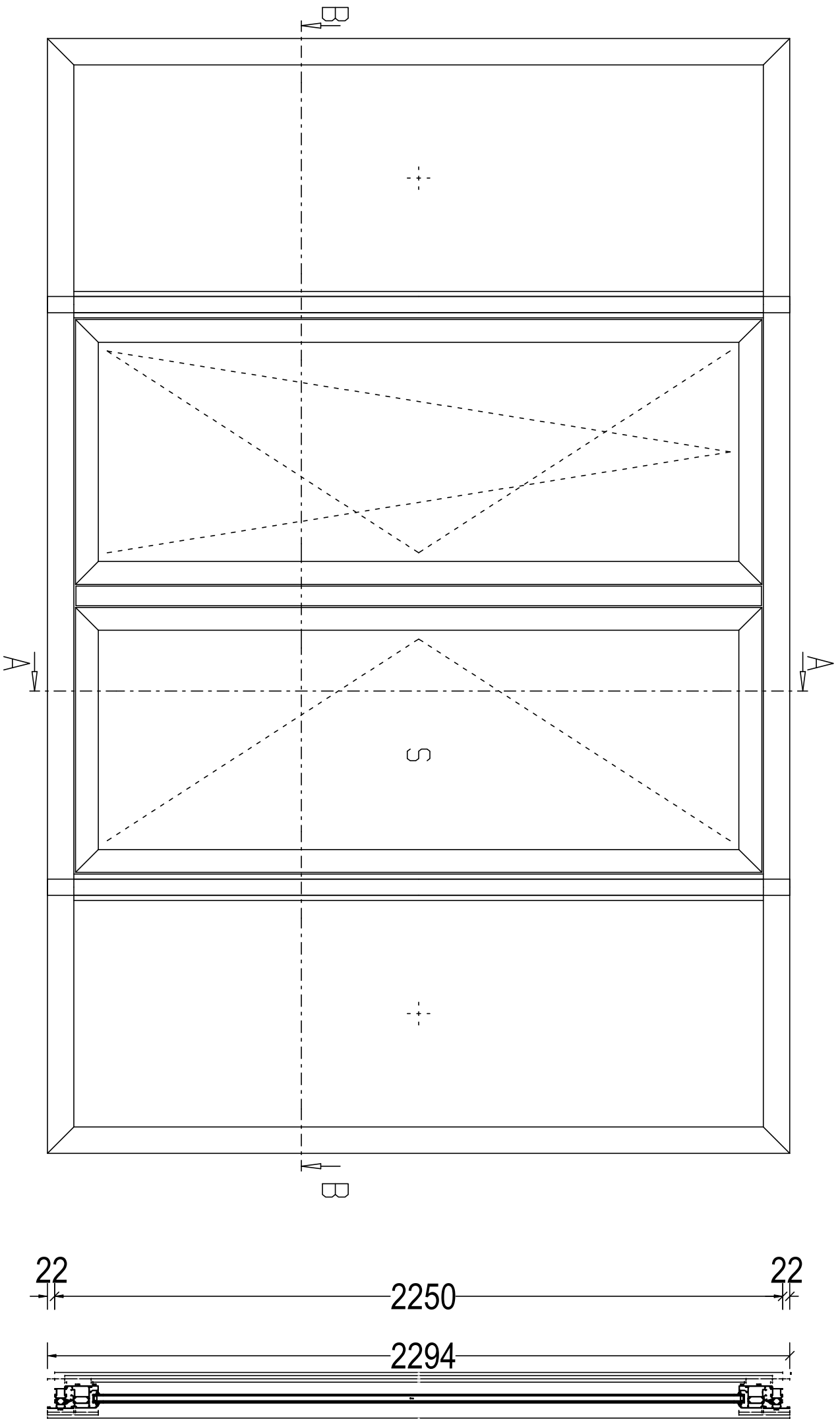
## 8. RESULTS

	CONDITIONS	RESULTS	CLASSIFICATION
<b>WATER-TIGHTNESS (Static Pressure) TS EN 12208</b>	There should be no water leakage	Water leakage was observed 600 Pa	<b>Class 8A</b>



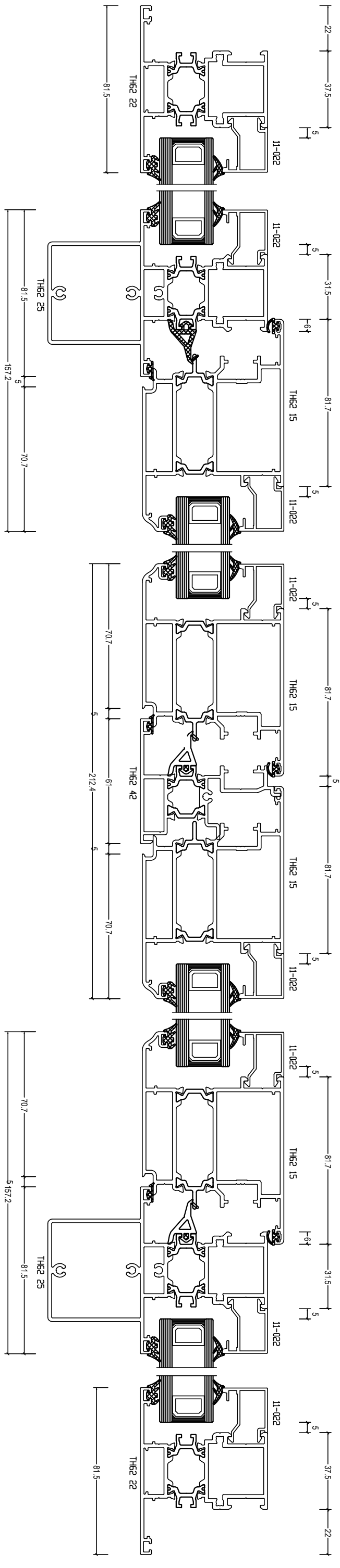
9. PHOTOS





NOTIFIED BODY NO	NB-254,7	PROJECT	TUVAL ADALAR TH62 WINDOW & DOOR SYSTEM		
ACCREDITATION NO	AB-0531-T	SAMPLE NO	2018.963	DATE	19.02.2018
REPORT NO	020.1039.1 / 2018	CLIENT	ASIST ALUMINYUM PROFİL SAN. VE TIC. A.Ş.		
PREPARED BY	A.DINCEL	EXPLANATION	WATERIGHTNESS TEST		
CONTROL BY	Ö.ARSLAN			REV.NO	A

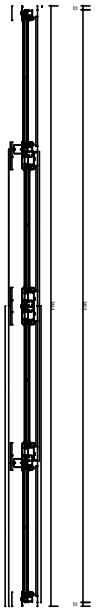
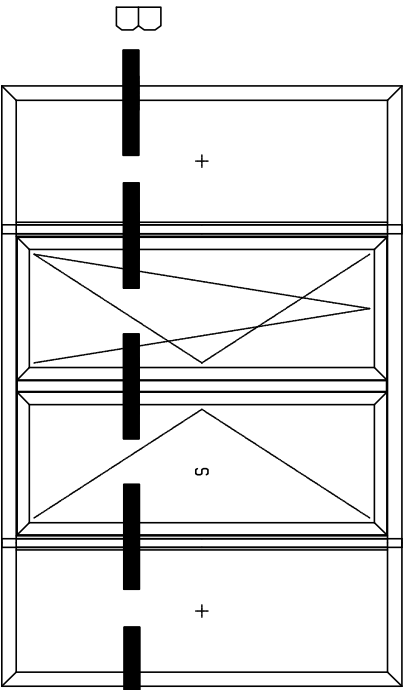
**FTI**



B-B DETAYI

3400

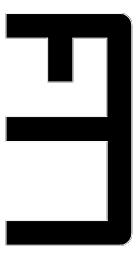
3444

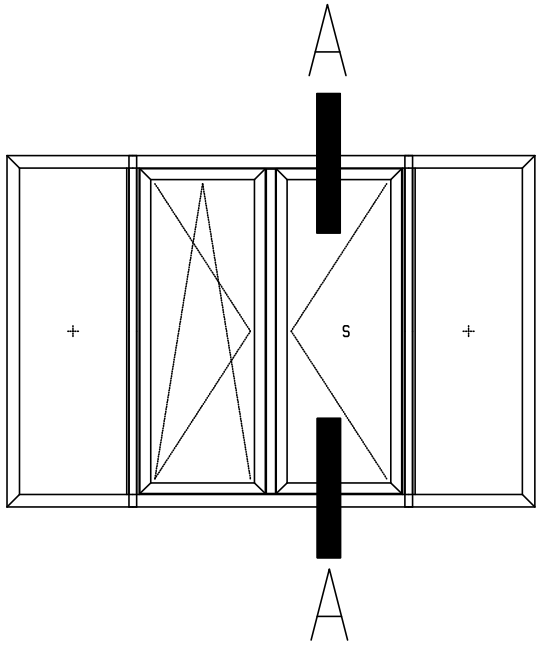


YENI TOZLUK FİTİLİ

NOTIFIED BODY NO	NB-2547	DETAIL:	TH62 WINDOW & DOOR SYSTEM		
ACCREDITATION NO	AB-0531-T		B-B DETAIL		
REPORT NO	020.1039.1 / 2018	SAMPLE NO	2018.963	DATE	19.02.2018
PREPARED BY	A.DINCEL	CLIENT	ASIST ALUMINYUM PROFİL SAN. VE TIC. A.Ş.	REV.NO	A
CONTROL BY	Ö.ARSLAN	EXPLANATION	WATERTIGHTNESS TEST		

B-B DETAYI





A-A DETAYI

22

2250

2294

2023,6

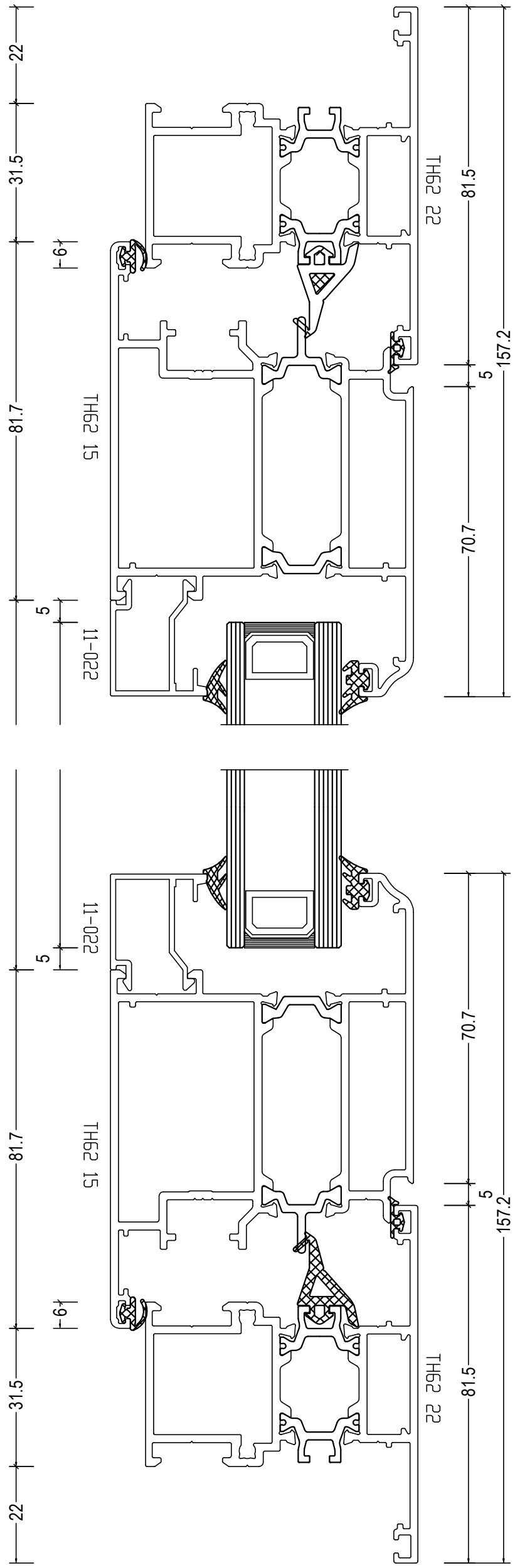
2013,6

2294

2294

22

A-A DETAYI



A-A DETAYI

REPORT NO:020.1039.1/2018  
PAGE NO: 12 / 15

NOTIFIED BODY NO:	NB-2547	DETAIL: TH62 WINDOW & DOOR SYSTEM			
ACCREDITATION NO:	AB-0531-T	A-A DETAIL			
REPORT NO:	020.1039.1 / 2018	PROJECT CODE:	2018.963	DATE:	19.02.2018
PREPARED BY:	A.DINCEL	CLIENT:	ASIST ALUMINYUM SAN. VE TIC. A.S.	REV.NO:	A
CONTROL BY:	Ö.ARSLAN	EXPLANATION:	WATERTIGHTNESS TEST		



F.15.21 REV.NO:A OCAK 2012

# TH62

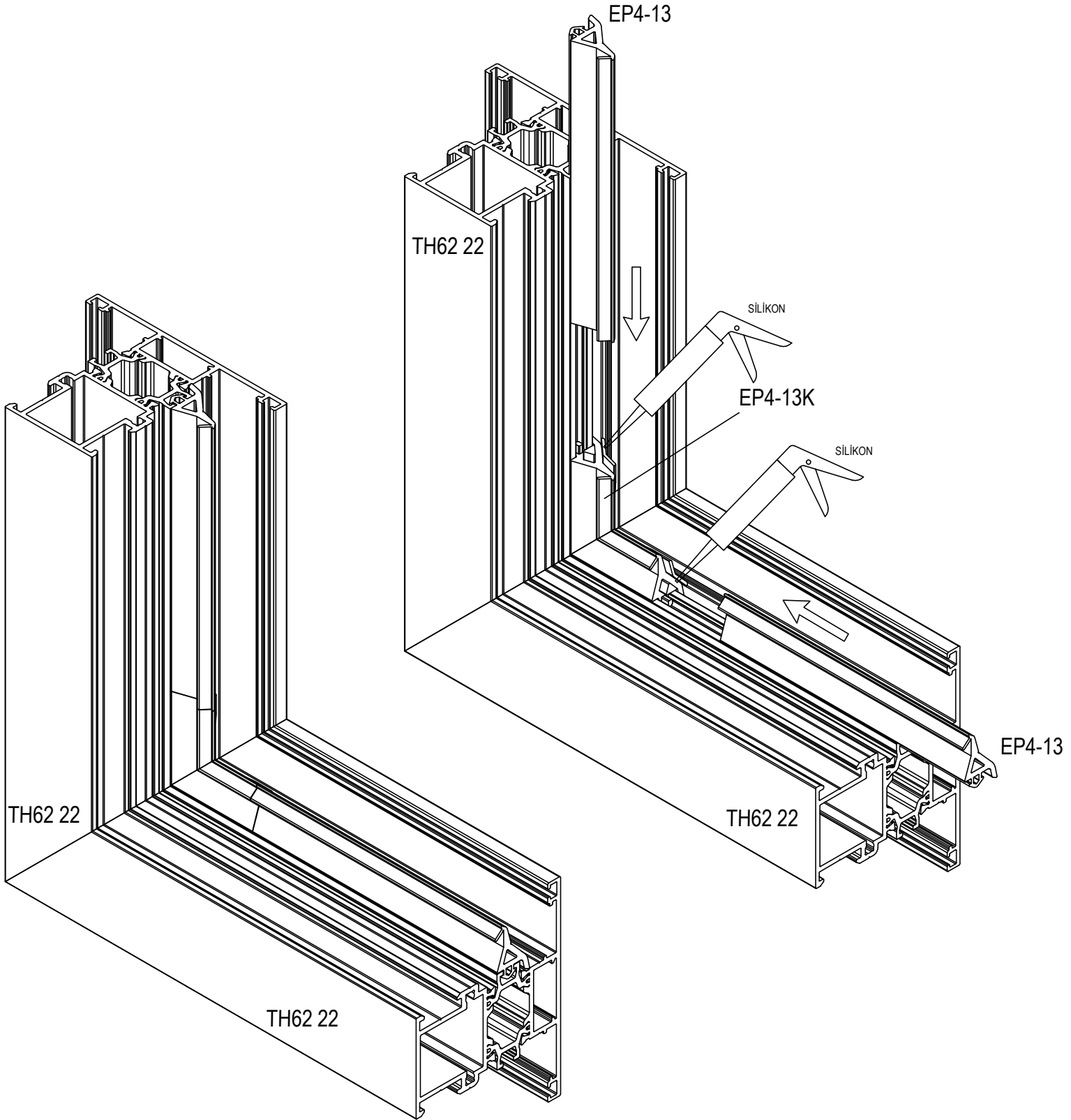
TUAL ADALAR PROJESİ  
ORTA KAYIT BAĞLANTI DETAYI

## ASISTAL

KÖŞE ORTA BİNİ MONTAJI

### YENİ BİNİ FİTİLİ YAPILDI

### YENİ KÖŞE VULKANİZE FİTİL ÜRETİLDİ



REPORT NO: 020.1039.1/2018  
PAGE NO: 13 / 15

NOTIFIED BODY NO:	NB-2547	DETAIL:	TH62 WINDOW & DOOR SYSTEM		
ACCREDITATION NO:	AB-0531-T				
REPORT NO:	020.1039.1 / 2018	PROJECT CODE:	2018.963	DATE:	19.02.2018
PREPARED BY:	A.DINCEL	CLIENT:	ASIST ALUMINYUM PROFIL SAN. VE TIC. A.S.	REV.NO:	A
CONTROL BY:	Ö.ARSLAN	EXPLANATION:	WATERTIGHTNESS TEST		

# FM

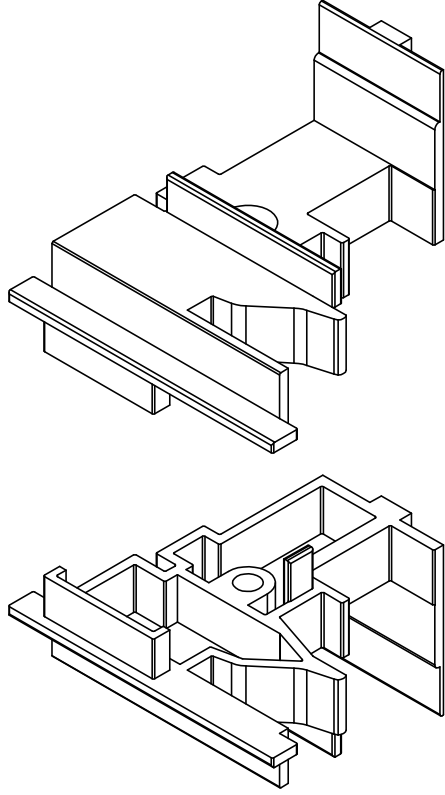
F.15.21 REV.NO:A OCAK 2012

TH62

TUAL ADALAR PROJESİ  
ORTA KAYIT BAĞLANTI DETAYI

ASISTAL

## YENİ ADAPTÖR KAPAĞI YAPILDI

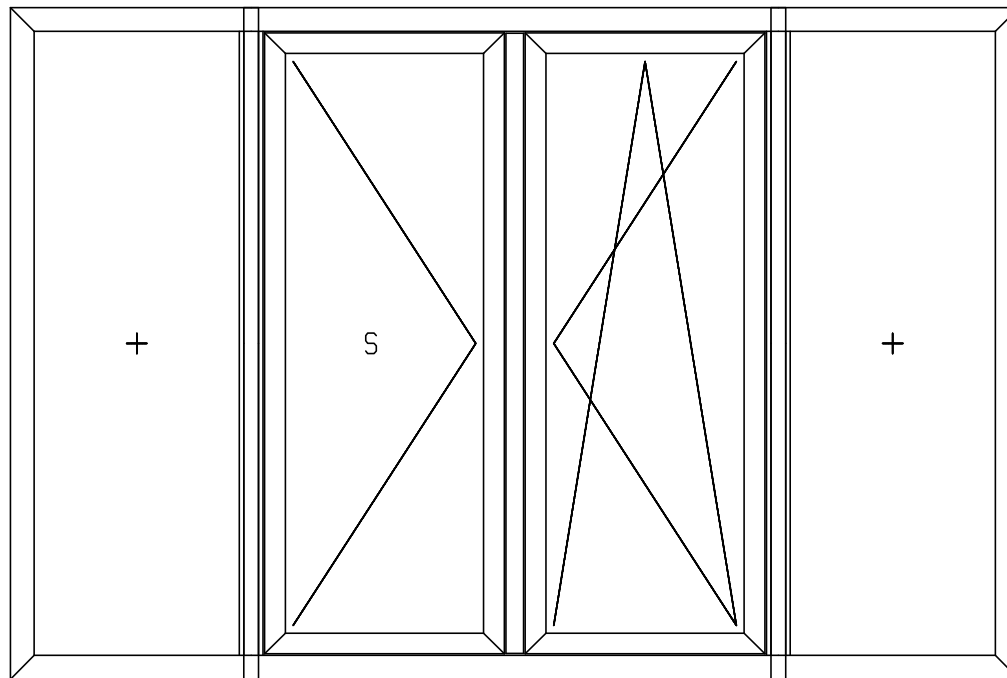
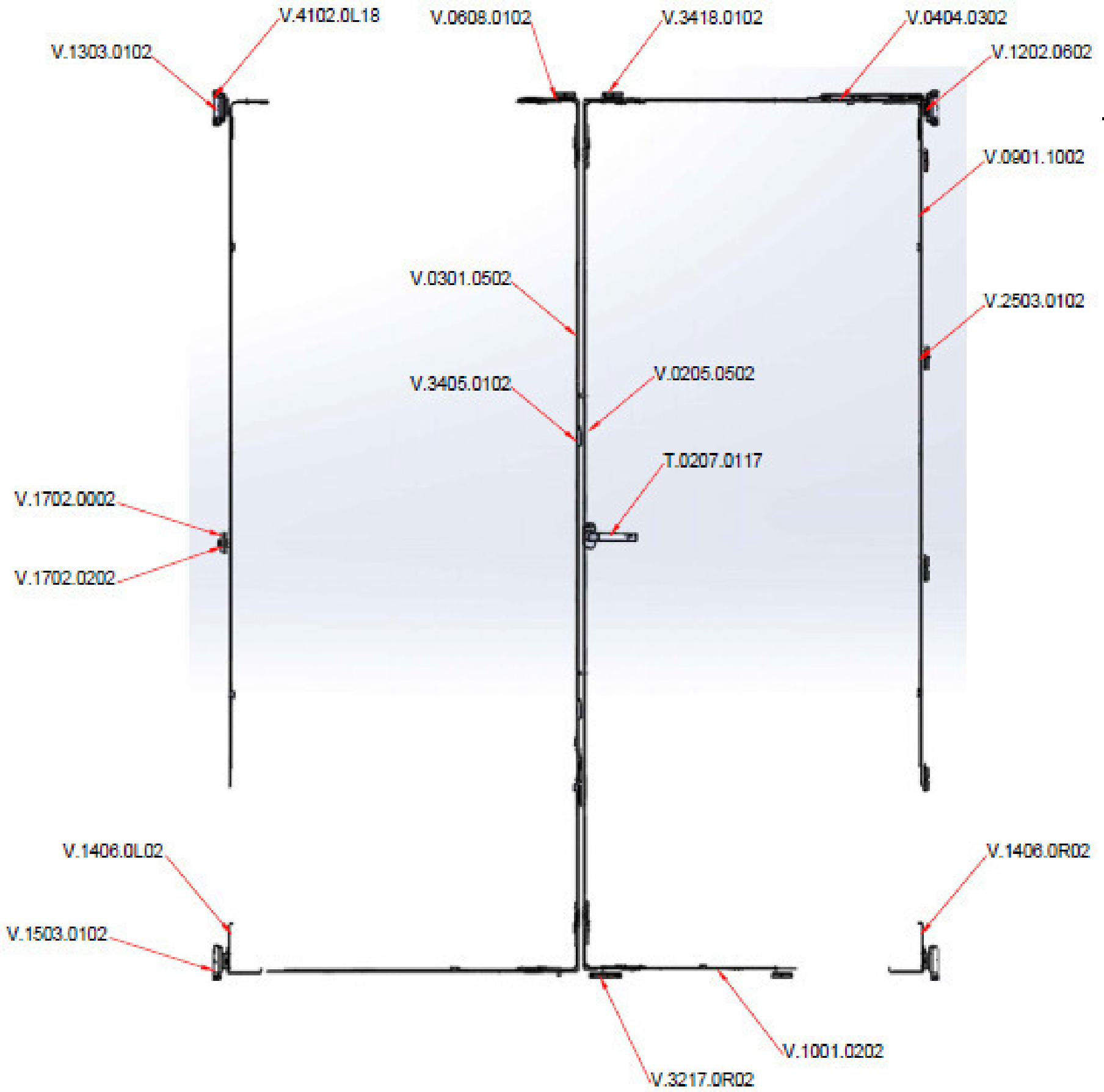


REPORT NO: 020.1039.1/2018  
PAGE NO: 14 / 15

NOTIFIED BODY NO:	NB-2547	DETAIL:	TH62 WINDOW & DOOR SYSTEM		
ACCREDITATION NO:	AB-0531-T				
REPORT NO:	020.1039.1 / 2018	PROJECT CODE:	2018.963	DATE:	19.02.2018
PREPARED BY:	A.DINCEL	CLIENT:	ASIST ALUMINYUM PROFIL SAN. VE TIC. A.S.	REV.NO:	A
CONTROL BY:	Ö.ARSLAN	EXPLANATION:	WATERTIGHTNESS TEST		



F.15.21 REV.NO:A OCAK 2012



REPORT NO: 020.1039.1/2018  
PAGE NO: 15 / 15

NOTIFIED BODY NO:	NB-2547	DETAIL:	TH62 WINDOW & DOOR SYSTEM SASH MECHANISM & ACCESSORIES DETAILS		
ACCREDITATION NO:	AB-0531-T	PROJECT CODE:	2018.963	DATE:	19.02.2018
REPORT NO:	020.1039.1 / 2018	CLIENT:	ASIST ALUMINYUM PROFIL SAN. VE TIC. A.S.	REV.NO:	A
PREPARED BY:	A.DINCEL	EXPLANATION:	WATERTIGHTNESS TEST		
CONTROL BY:	Ö.ARSLAN				



F.15.21 REV.NO:A OCAK 2012