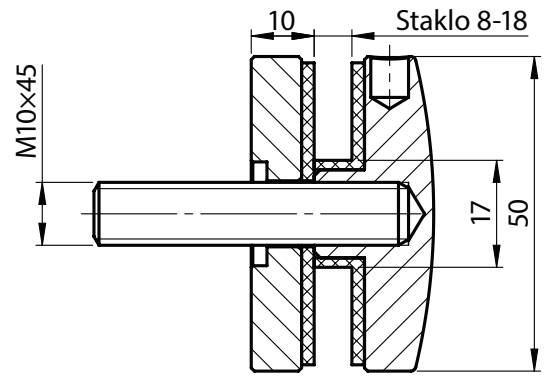
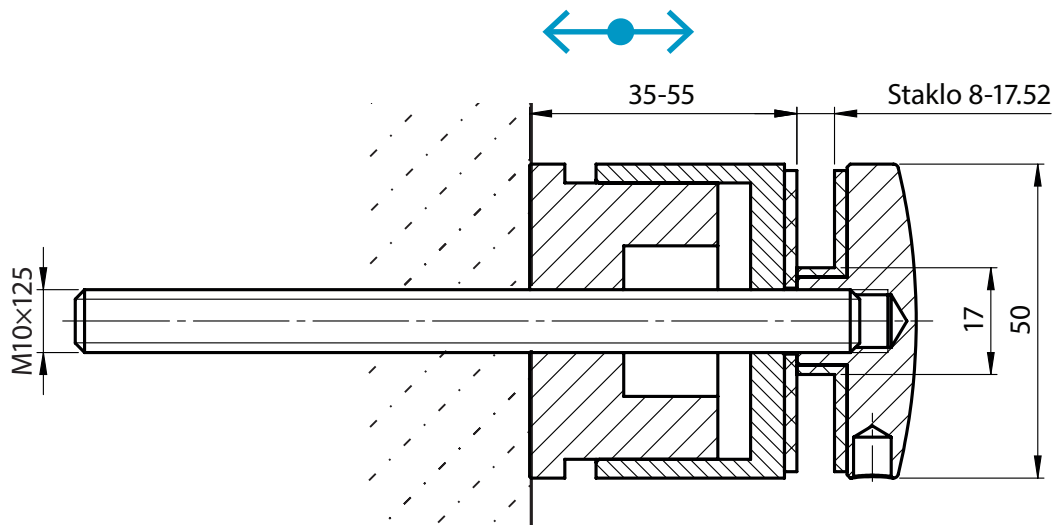


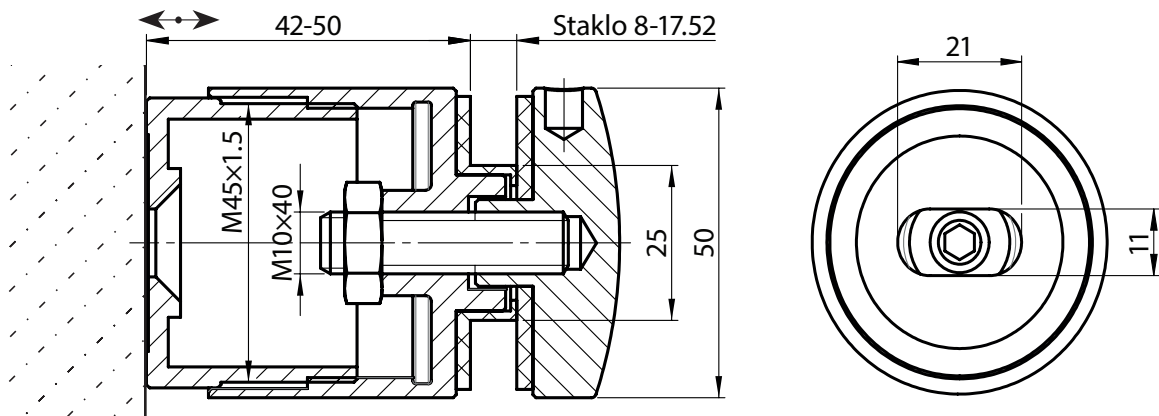
A/0746-000



A/0747-000



A/0747-FLEX2



A/0747-FLEX3