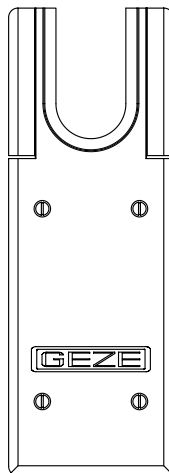


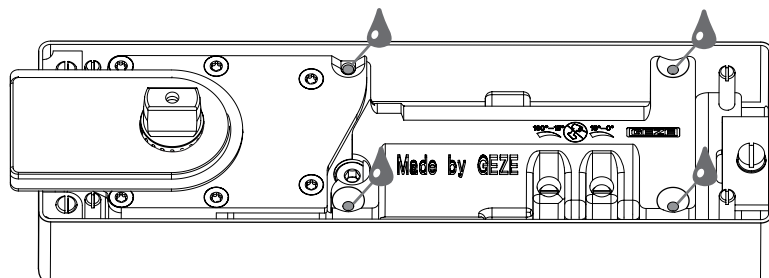
Deckplatte
Cover plate
Plaque de recouvrement
Embellecedor

161033-00

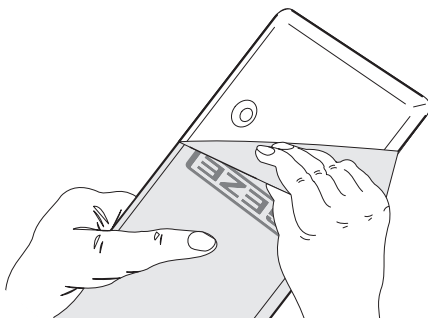


GEZE

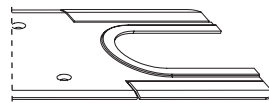
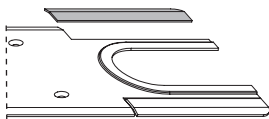
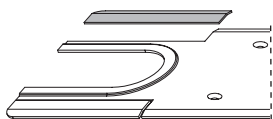
1



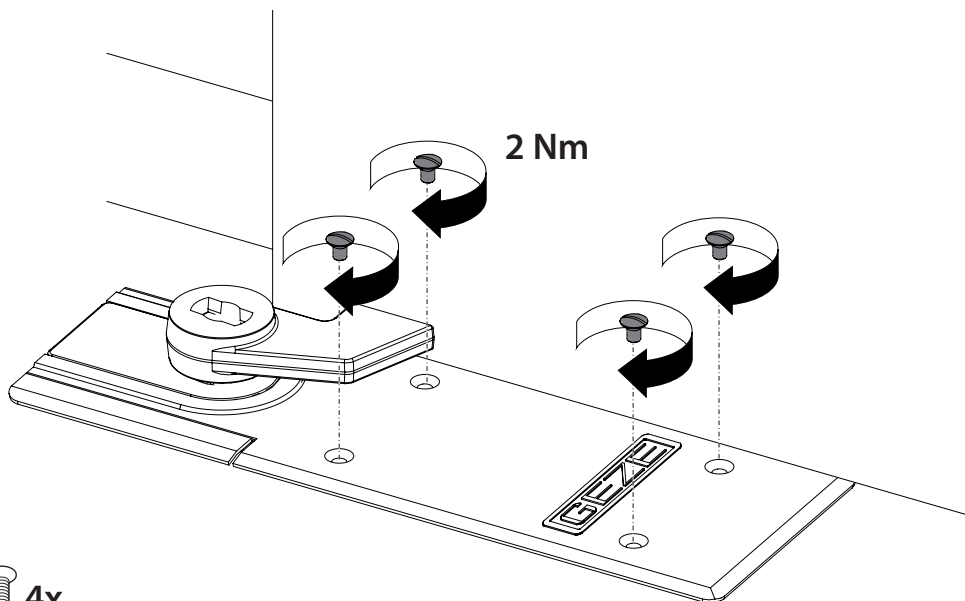
2



3



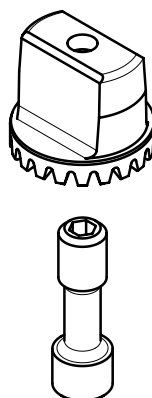
4



2 Nm

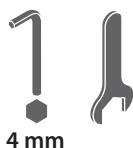
 4x

Achsoberteil
Spindle cap
Partie supérieure de l'axe
Parte superior del eje



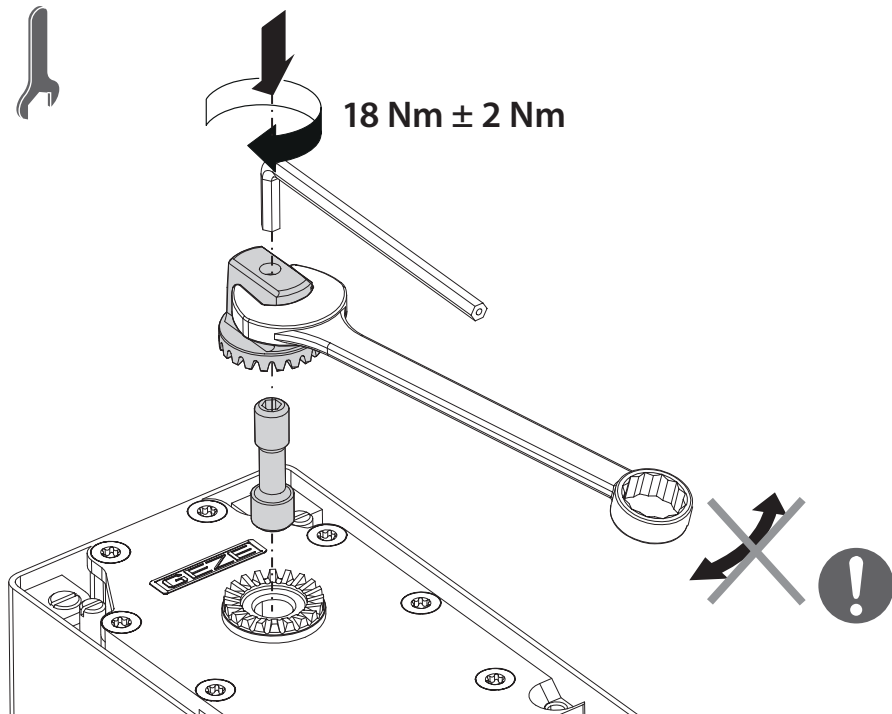
161036-00

GEZE



4 mm

 **18 Nm \pm 2 Nm**



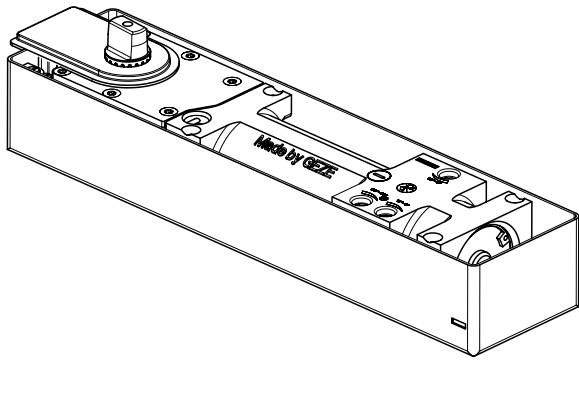
GEZE GmbH
Reinhold-Vöster-Strasse 21-29
71229 Leonberg
Germany

Tel.: 0049 7152 203 0
Fax: 0049 7152 203 310
www.geze.com

Engineered in Germany.
Made by GEZE, PRC.



GEZE



TS 550 NV
 TS 550 NV F
 TS 550 NV F-P



125144-10



TS 550 NV / TS 550 NV F / TS 550 NV F-P

$a \leq 1400 \text{ mm}$

$\leq 300 \text{ kg}$

TS 550 NV F

TS 550 NV F-P

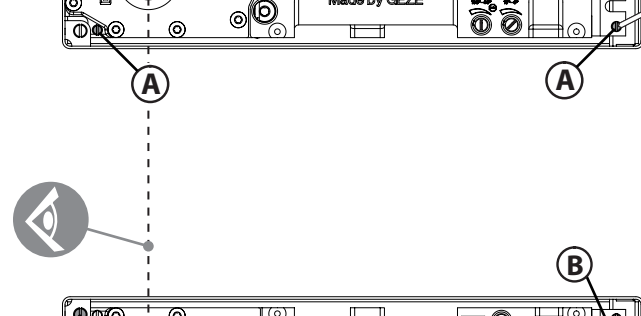
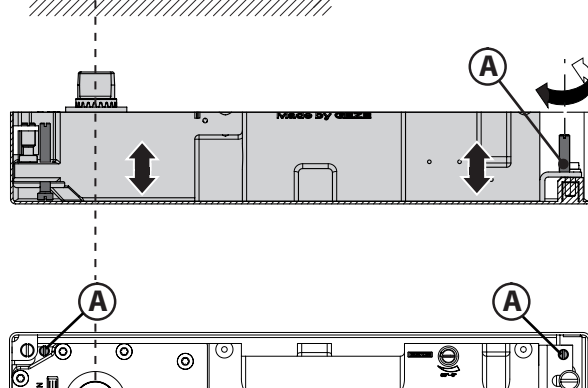
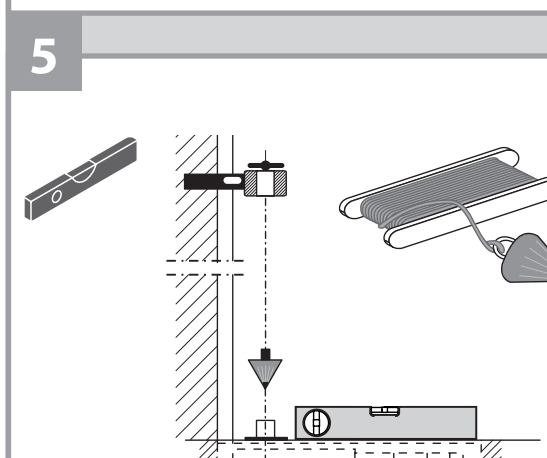
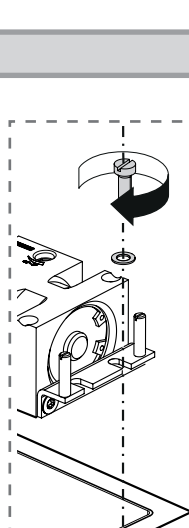
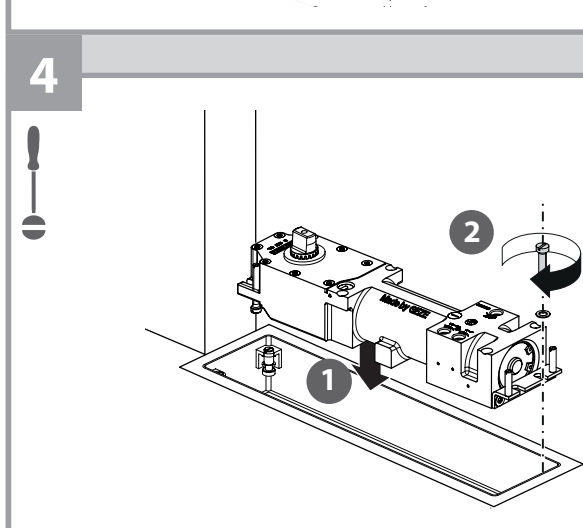
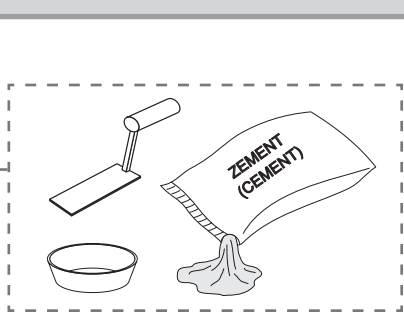
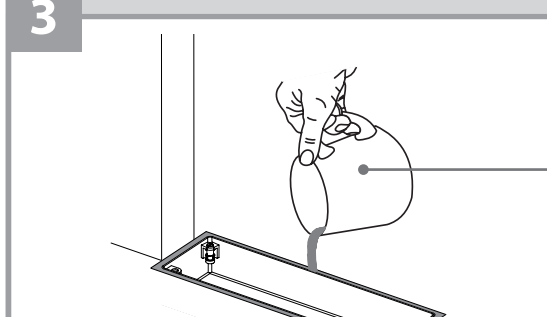
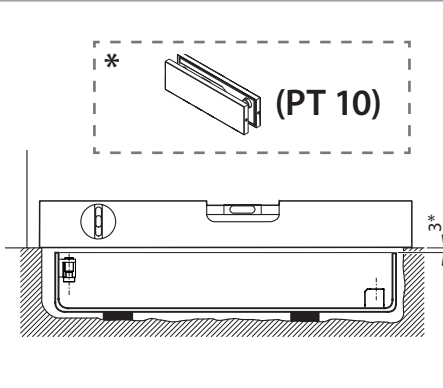
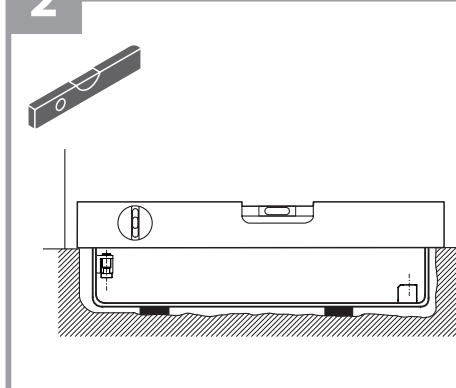
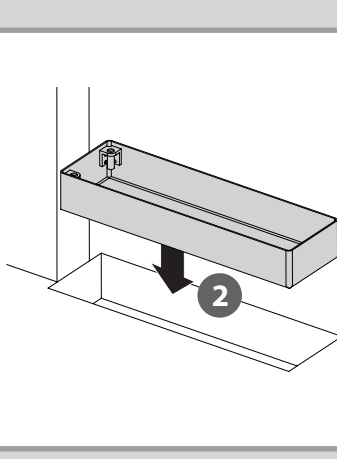
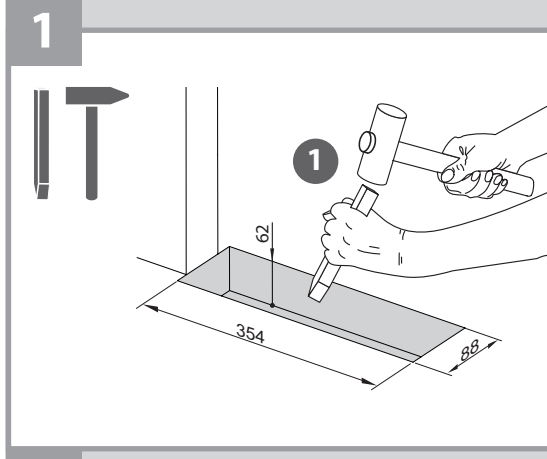
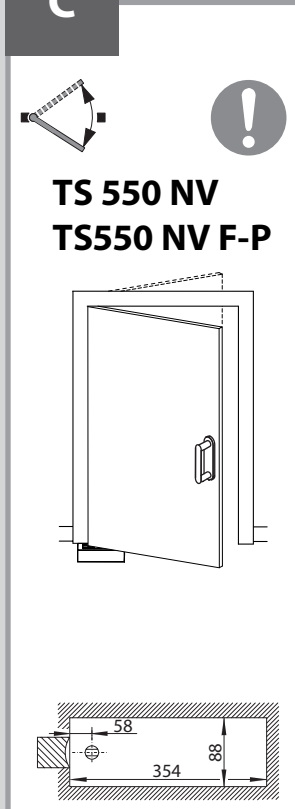
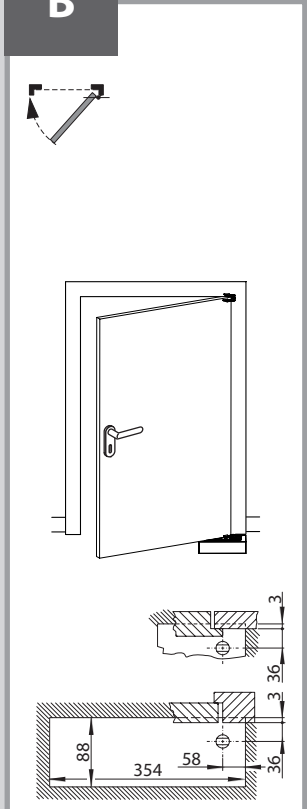
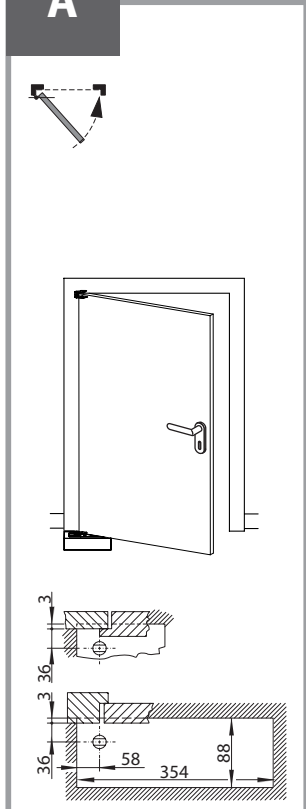
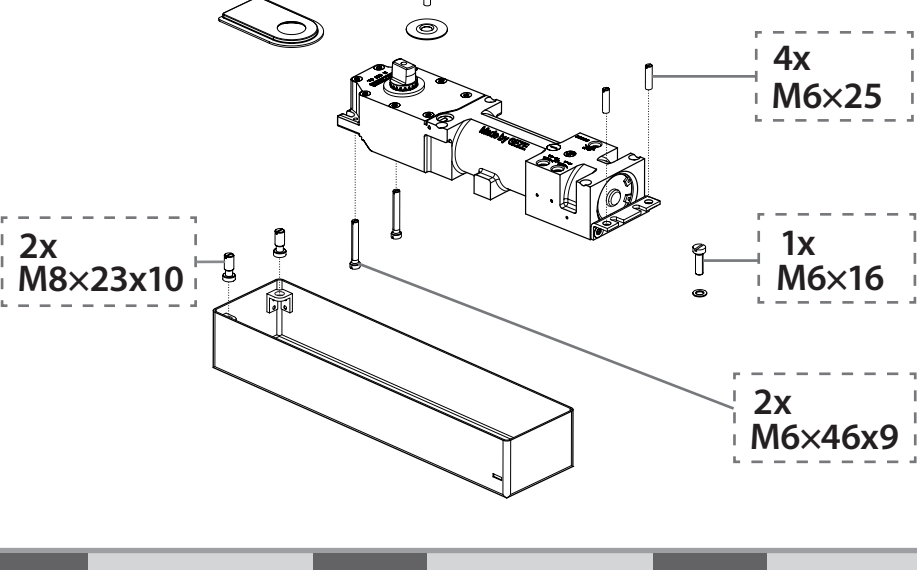
EN 1154:1996 + A1:2002	4	8	6	3	1	1	4
---------------------------	---	---	---	---	---	---	---

EN 1154:1996 + A1:2002/AC:2006	3	8	6	3	1	1	4
-----------------------------------	---	---	---	---	---	---	---

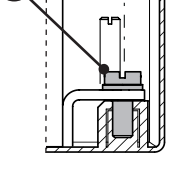


TS 550 NV

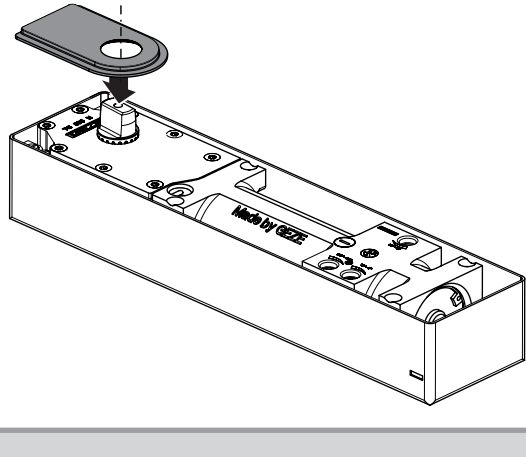
EN 1154:1996 + A1:2002	3	8	6	3	0	1	4
---------------------------	---	---	---	---	---	---	---



2 Nm



6



7

